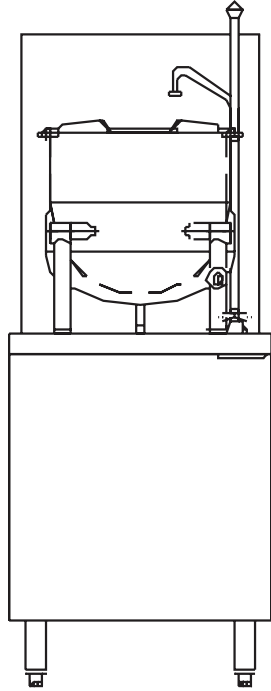




# DIRECT STEAM KETTLE ON GAS BOILER BASE



- GMT-6
- GMT-10

### OPERATION SHALL BE BY:

Gas operated 15 psi (103 kPa) steam boiler for operation on 115 VAC, 1 phase, 50/60 Hz rated at 200,000 BTU.

- Natural Gas
- LP Gas

### Standard Features

- Water Treatment System
- Electronic ignition
- CSD-1 boiler controls
- Split water line

### OPTIONS & ACCESSORIES AT ADDITIONAL COST

- |   |  |  |
|---|--|--|
| <input type="checkbox"/> Floor Protective Panel for 36" Gas Boiler Based Cabinets and Up (aluminum panel, painted on top with special anti-reflective black paint) (8976-1) | <input type="checkbox"/> Etched gallon markings (GM-)                  | <input type="checkbox"/> Lift-out perforated stainless steel basket (SSB-) |
| <input type="checkbox"/> Floor Protective Panel 24" Gas Boiler Based Cabinets (aluminum panel, painted on top with special anti-reflective black paint) (8978-1)            | <input type="checkbox"/> Etched litre markings (LM-)                   | <input type="checkbox"/> Steam take off kit (STOK).                        |
| <input type="checkbox"/> 220-240 VAC operation (specify voltage)(GBVS-1)  | <input type="checkbox"/> Stainless steel rear panel (SSB-24)           | <input type="checkbox"/> Pour lip strainer (TKS-).                         |
|   | <input type="checkbox"/> Stainless steel frame (SSF-24)                | <input type="checkbox"/> Water in "Y" strainer (condenser feed)            |
|   | <input type="checkbox"/> Correctional package                          |  |
|   | <input type="checkbox"/> One piece stainless steel lift off cover (C-) |  |

### STANDARD CONSTRUCTION SPECIFICATIONS

Shall be a Crown model GMT-6 or GMT-10, consisting of a direct connected steam, tilting kettle.

A double wall kettle interior shall form a steam jacket around the lower 2/3 of the kettle.

The bottom of the kettle shall be of hemispherical design for superior heat circulation.

The kettle interior shall be of 316 stainless steel for high acid content products.

The stainless steel mounting legs shall have the steam supply and condensate within the legs and the right leg fitted with a steam control valve for the kettle.

The kettle shall be fitted with a tilt handle and heat resistant knob, allowing the kettle to be tilted forward past 90° for complete emptying.

The kettle shall be mounted on a cabinet base with full perimeter angle frame, reinforced counter, hot and cold water faucet with control valves, 3" (76 mm) deep sinks with drain, grate and splash guard, gas boiler with controls, hinged door with magnetic catch, removable side panels and 6" (152 mm) stainless steel legs fitted with 4 adjustable flanged feet for securing to the floor, all #4 stainless steel exterior with aluminized steel back.

Steam manifolds concealed within cabinet are fitted with a safety relief valve and a steam trap for each kettle.

The kettles and boiler shall be ASME code stamped and National Board registered.

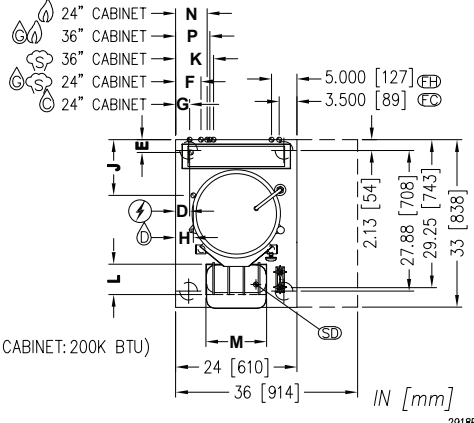
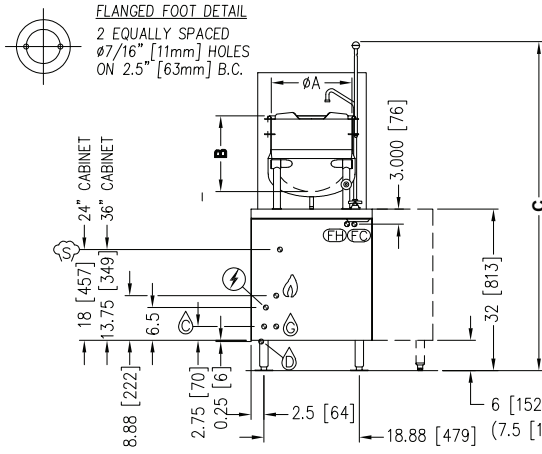
Water treatment system, electronic ignition, nickel plating, CSD-1 boiler controls, and split water line come standard.

**\*SEE REVERSE SIDE OF SPEC SHEET FOR WATER TREATMENT SYSTEM STATEMENTS\***



Approval Notes: \_\_\_\_\_

\_\_\_\_\_



NOTE: SPLASH GUARD NOT SHOWN IN FRONT VIEW.

**SERVICE CONNECTIONS**

- ELECTRICAL CONNECTION: 1/2" (13 mm) O.D. conduit connection to controls. 2 AMPS per compartment or to be as specified on data plate.
- DRAIN: 2" (51 mm) IPS piped to open floor drain. No solid connection.
- CONDENSATE COLD WATER: 3/8" (10 mm) O.D. tubing at 25-50 PSI (170-345 kPa).
- BOILER COLD WATER: 3/8" (10 mm) O.D. tubing at 25-50 PSI (170-345 kPa). [TREATED WATER]
- FAUCET COLD WATER: 3/8" (10 mm) O.D. tubing at 25-50 PSI (170-345 kPa), NSF-61 compliant.
- FAUCET HOT WATER: 3/8" (10 mm) O.D. tubing at 25-50 PSI (170-345 kPa), NSF-61 compliant.
- GAS CONNECTION: 3/4" (19 mm) IPS supply line required. Natural Gas: Min. 4" (102 mm) Water Column. Propane: Min. 11" (279 mm) Water Column.
- STEAM TAKE-OFF CONNECTION: 3/4" (19 mm) IPS optional to operate adjacent equipment.
- SINK DRAIN: 1-1/8" O.D. tubing

**DIMENSIONS**

MODEL	A	B	C	D	E	F	G	H	J	K	L	M	N	P
GMT-6	12 [305]	14.5 [368]	66.13 [1680]	3 [76]	2.5 [64]	5 [127]	2.75 [70]	3.5 [89]	11 [279]	7.5 [191]	9 [229]	12 [305]	6.25 [159]	6.75 [171]
GMT-10	16 [406]	15 [381]	65.13 [1654]								6 [152]	12 [305]		

**GAS SUPPLY AND COMPARTMENT PAN CAPACITY**

BTU/HOUR	kW/HOUR	WATER COLUMN PRESSURE	
		NATURAL	PROPANE
200,000	58.6	min. 4" (102 mm)	min. 11" (279 mm)
250,000	73.3		

MODEL	DESCRIPTION	CAPACITY	
		GALLON	LITER
GMT-6	6 gallon kettle on 24' gas boiler base	6	23
GMT-10	10 gallon kettle on 24' gas boiler base	10	38

**WATER QUALITY STATEMENT**

Water is the essential ingredient in steam equipment, water quality is the major factor affecting the performance of your appliance. Crown Steam Group offers a Comprehensive Water Treatment System which exceeds our minimum water requirements. Proof of installation and proper cartridges replacement is required for warranty coverage. Water supply to Crown Steam Group steamers must be within these guidelines.

Total dissolved solids.....	Less than 60 PPM	Chlorine .....	Less than 1.5 PPM
Total alkalinity .....	Less than 20 PPM	pH Factor .....	6.8 - 7.3
Silica.....	Less than 13 PPM		

Water which does not meet these standards should be treated with the installation of Middleby's Water Treatment System. Call 919-762-1000 if you have questions concerning your water meeting these parameters.

\*Failure or malfunction of this appliance due to poor water quality is not covered under warranty.

Reference [www.crownsteamgroup.com](http://www.crownsteamgroup.com) for complete warranty details and instructions.

**DISCLAIMER**

If installing on any floor with an epoxy coating or other combustible floor surface (i.e., a surface other than quarry tile, cement or natural stone), contact the factory for installation options as damage due to improper installation is not covered under warranty.

**Terry System Cartridge Changes / Installation** – "2-3 gallons of water MUST be purged at each cartridge change or new installation prior to water supply being fed to the steamer. Failure to do so can result in component damage within the steamer which is not covered under warranty. For additional guidance on proper installation, refer to install documentation provided with each Terry System and Replacement Cartridge Set."

**INTENDED FOR COMMERCIAL USE ONLY.  
NOT FOR HOUSEHOLD USE.**

