



Job: _____ Item# _____



GL-40FE

GAS STATIONARY FULL JACKET STEAM KETTLE



GL-40FE

OPERATION SHALL BE BY:

- Natural Gas
- L.P. Gas

For operation on 115 VAC, 1 phase, 50/60 Hz

STANDARD FEATURES:

- Low water level cut-off and indicator
- Pressure gauge
- Temperature control
- Safety relief valve
- Integrally mounted controls
- 2" (50 mm) draw-off valve with perforated strainer
- Spring assist stainless steel cover
- Electronic ignition
- Water sight glass
- 100% safety gas shut-off control
- 316 stainless steel liner

OPTIONS & ACCESSORIES AT ADDITIONAL COST

- | | | |
|--|---|--|
| <input type="checkbox"/> 220 VAC, 1 phase, 50/60 Hz (GKVS-1) | <input type="checkbox"/> 3" (76 mm) draw-off valve with perforated strainer (TVS-3) | <input type="checkbox"/> Single pantry faucet with swing spout (SF-12) |
| <input type="checkbox"/> Etched gallon markings (GM-) | <input type="checkbox"/> Tri-basket assembly (TBA-) | <input type="checkbox"/> Double pantry faucet with swing spout (DF-12) |
| <input type="checkbox"/> Etched litre markings (LM-) | <input type="checkbox"/> Contoured measuring strip (CMS-) | <input type="checkbox"/> Single pantry faucet kettle filler (SP-KF-GK) |
| <input type="checkbox"/> Correctional package | <input type="checkbox"/> Strainer hook (SH) | <input type="checkbox"/> Double pantry faucet kettle filler (DP-KF-GK) |
| <input type="checkbox"/> Draw-off valve hose kit (DVHK-) | <input type="checkbox"/> Solid disc for draw-off valve (TSS-) | <input type="checkbox"/> Draw-off valve drain cup with hose (DVDC-) |

STANDARD CONSTRUCTION SPECIFICATIONS

Shall be a CROWN Model GL-40FE, gas fired self-contained, full jacket steam kettle, AGA, CGA and NSF Certified, ASME code stamped and National Board registered.

The kettle shall be constructed with an exterior of type 304 stainless steel, #4 sanitary finish and 6" (152 mm) stainless steel legs fitted with flanged adjustable feet.

The burners shall be of stainless steel high efficiency atmospheric tubular design and easily serviceable.

The interior kettle liner shall be a one piece all welded construction of type 316 stainless steel with # 4 sanitary finish, and shall be furnished with a 2" (50 mm) draw-off valve with perforated strainer and a spring

assist stainless steel cover as standard.

The recessed control panel shall be located on the front side of the unit in full view of the operator and easy to use.

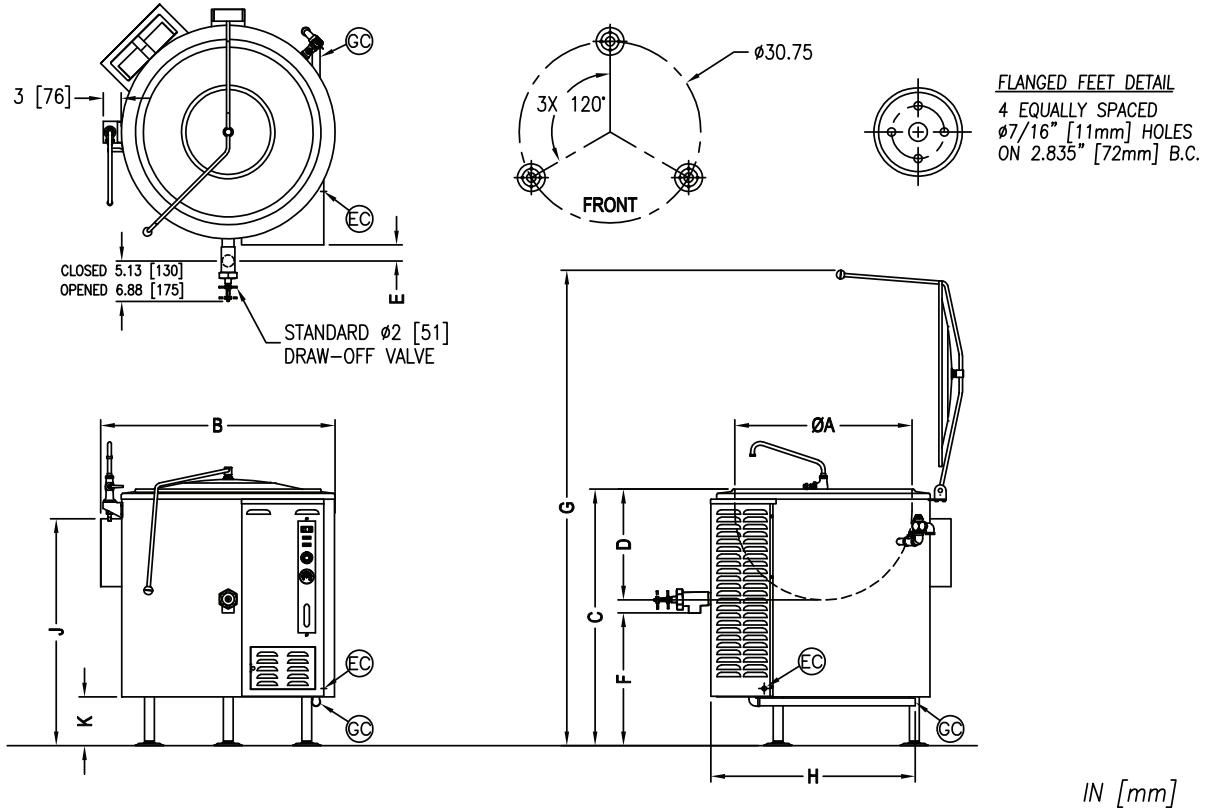
Standard controls shall include electronic ignition, direct immersion thermostat, water sight glass, cooking pilot light, vacuum/pressure gauge and low water indicator light.

Safety features shall include a low water cut off, pressure relief valve, pressure control and 100% safety gas shut-off valve.

The kettle shall operate in a temperature range of 165°F to 275°F (74°C to 135°C) at a maximum pressure of 50 psi (345 kPa).



Approval Notes: _____



SERVICE CONNECTIONS

- Supply gas through 3/4" pipe. A gas shut-off valve must be installed in supply piping convenient and adjacent to appliance
- Unless other wise specified, Field Wire Electrical Connection to be 120 Volts, 60 Hertz, single phase with grounding wire. Unit furnished with 6' cord and 3 prong plug. Total maximum amps 4.0.

DIMENSIONS

MODEL	CAPACITY	UNITS	A	B	C	D	E	F	G	H	J	K
GL-40FE	40 gallons (152 liters)	in (mm)	30" (762)	39.75" (1010)	41.5" (1054)	18.75" (476)	2.75" (70)	20.5" (521)	78.5 (1994)	34.63" (879)	36.38" (924)	6.0" (153)

GAS CHARACTERISTICS

MODEL	GAS SUPPLY			
	BTU/HR.	kw/HR.	SUPPLY PIPE PRESSURE (W.C.)	
GL-40FE	130,000	38.1	Natural 6"-14" (152-356 mm)	Propane 11"-14" (279-356 mm)

* For use on non-combustible floors only.

SPECIFICATIONS

MODEL	CAPACITY	
GL-40FE	40 Gallon	152 Liter

MODEL	SHIPPING WEIGHT	MINIMUM CLEARANCE	
GL-40FE	700 lbs. [318 kg]	SIDES BACK	6" [152 mm] 2" [51 mm]

**INTENDED FOR COMMERCIAL USE ONLY.
NOT FOR HOUSEHOLD USE.**

