

GAS STATIONARY STEAM KETTLE



- GL-20E
- GL-30E
- GL-40E
- GL-60E

OPERATION SHALL BE BY:

- Natural Gas
- L.P. Gas

For operation on 115 VAC, 1 phase 50/60 Hz, A.S.M.E. code stamped for operation up to 50 psi (345kPa).

The steam kettle temperature ranges shall be between 165°F to 275°F (74°C to 135°).

Burners shall be serviceable, high efficiency stainless steel with no shutter adjustment.

OPTIONS & ACCESSORIES AT ADDITIONAL COST

- | | | |
|---|---|---|
| <input type="checkbox"/> 220 VAC, 1 phase, 50/60 Hz. (GKVS-1) | <input type="checkbox"/> Correctional Package | <input type="checkbox"/> Single pantry faucet with swing spout, SF-12 |
| <input type="checkbox"/> 3" (76 mm) draw-off valve with perforated strainer (TVS-3) | <input type="checkbox"/> Stainless steel tri basket, (TBA-1) | <input type="checkbox"/> Double pantry faucet with swing spout, DF-12 |
| <input type="checkbox"/> Etched gallon markings (GM-) | <input type="checkbox"/> Graduated measuring strip (CMS-) | <input type="checkbox"/> Single pantry kettle filler (SP-KF-GK) |
| <input type="checkbox"/> Etched liter markings (LM-) | <input type="checkbox"/> Strainer hook (SH-) | <input type="checkbox"/> Double pantry kettle filler (DP-KF-GK) |
| | <input type="checkbox"/> Solid disc for draw-off valve (TSS-) | |

STANDARD CONSTRUCTION SPECIFICATIONS

Shall be a Crown model GL-20E, GL-30E, GL-40E or GL-60E, gas fired, self-contained steam jacketed kettle, AGA and CGA design certified, NSF approved.

The unit comes standard with electronic ignition and spring assisted hinged cover.

The kettle shall be constructed with an exterior of type 304 stainless steel, #4 sanitary finish and 6" (152mm) stainless steel adjustable legs.

The interior kettle liner shall be a one piece welded construction made with type 316 stainless steel with #4 sanitary finish, 2/3 jacketed and

shall be furnished with a 2" (50 mm) tangent draw off valve with strainer as standard.

The recessed control panel shall be located on the front side of the unit in full view of the operator and easy to use.

Standard controls include a direct immersion thermostat, water sight glass, cooking light, pressure gauge and low water indicator light. Safety features shall include a low water cut off, pressure relief valve, pressure switch and a 100% safety gas shutoff valve.

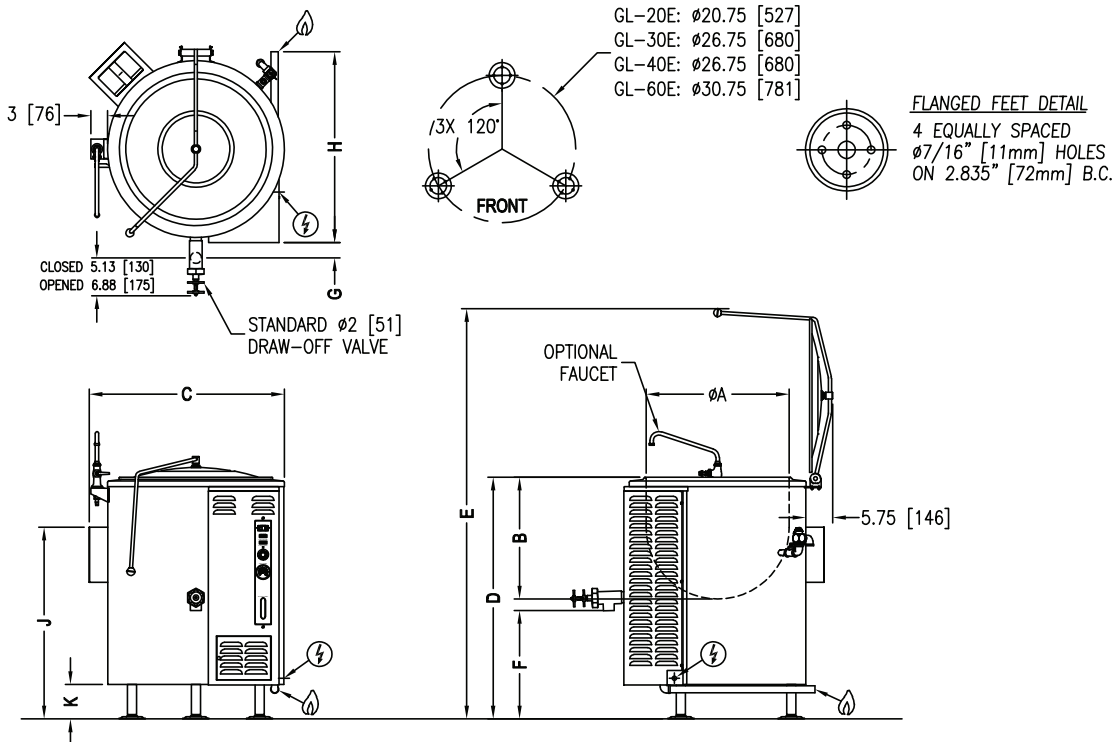
Includes faucet bracket.



Approval Notes: _____

Models: GL-20E GL-30E GL-40E GL-60E

GL



SERVICE CONNECTIONS

- Supply gas through 3/4" pipe. A gas shut-off valve must be installed in supply piping convenient and adjacent to appliance
- Unless other wise specified, Field Wire Electrical Connection to be 120 Volts, 60 Hertz, single phase with grounding wire. Unit furnished with 6' cord and 3 prong plug. Total maximum amps 4.0.

DIMENSIONS

MODEL	CAPACITY	UNITS	A	B	C	D	E	F	G	H	J	K
GL-20E	20 gallons (76 liters)	in (mm)	20" (508)	18.38" (467)	31.13" (791)	40.38" (1026)	65.38" (1661)	20" (508)	3.13" (79)	24.75" (629)	31.5" (800)	6.00" (153)
GL-30E	30 gallons (114 liters)	in (mm)	26" (660)	17.75" (451)	35.5" (902)	39.5" (1003)	69.75" (1772)	19.75" (502)	2.75" (70)	34.63" (879)	34.88" (886)	6.00" (153)
GL-40E	40 gallons (152 liters)	in (mm)	26" (660)	22.13" (562)	35.5" (902)	43.88" (978)	74.63" (1895)	19.75" (502)	2.75" (70)	34.63" (879)	34.88" (886)	6.00" (153)
GL-60E	60 gallons (227 liters)	in (mm)	30" (762)	24.75" (629)	39.75" (1010)	47.38" (1203)	84.5" (2146)	20.5" (521)	2.75" (70)	34.63" (879)	36.38" (924)	6.00" (153)

GAS CHARACTERISTICS

MODEL	GAS SUPPLY		
	BTU/HR.	kW/HR.	SUPPLY PIPE PRESSURE (W.C.)
GL-20/30/40E	100,000	29.3	Natural 6"-14" (152-356 mm) Propane 11"-14" (279-356 mm)
GL-60E	130,000	38.1	

* For use on non-combustible floors only.

SPECIFICATIONS

MODEL	SHIPPING WEIGHT	MINIMUM CLEARANCE	
GL-20E	440 lbs. [200 kg]	SIDES BACK	6" [152 mm] 2" [51 mm]
GL-30E	575 lbs. [261 kg]		
GL-40E	600 lbs. [272 kg]		
GL-60E	720 lbs. [327 kg]		

MODEL	CAPACITY	
GL-20E	20 Gallon	76 Liter
GL-30E	30 Gallon	114 Liter
GL-40E	40 Gallon	152 Liter
GL-60E	60 Gallon	227 Liter

**INTENDED FOR COMMERCIAL USE ONLY.
NOT FOR HOUSEHOLD USE.**

