



# ELECTRIC COUNTER TILTING KETTLE



## SPECIFICATIONS:

Shall be a Crown Model \_\_\_\_\_, self-generating, electric, tilting kettle. A double wall kettle interior shall form a steam jacket around the lower 2/3 of the kettle. The jacket enclosure shall contain distilled water which is factory sealed. The bottom of the kettle shall be of hemispherical design for superior heat circulation.

The mounting base shall include the kettle mounting lugs concealed inside a rectangular enclosure and a stainless steel mechanism housing.

A removable operating handle with heat proof knob shall be mounted on the right.

Construction shall be of all welded satin finish stainless steel, type 304. The interior cooking surface shall be of type 316 stainless steel for added resistance to corrosion. The kettle shall be ASME constructed, National Board Registered, c-CSA-us and NSF certified.

The controls shall be water resistant, integrally mounted and shall include a power switch, solid state thermostat, pilot light, vacuum/pressure gauge, safety valve, low water light, and low water shut off.

The kettle shall operate in a temperature range of 165°F to 285°F (74°C to 140°C) at a maximum pressure of 50 psi (345 kPa). The kettle shall come standard with removable elements.

MODEL	CAPACITIES		
	KW	US Gal.	Liters
EC-6TW	7.5	6	23
EC-10TW	12	10	38
EC-12TW	12	12	45

## OPERATION SHALL BE BY:

Electrically, self-generating closed steam system equipped for operation on:

The kettle shall be equipped for operation on:

- 208 VAC, 1 or 3 phase, 50/60 Hz\*
- 240 VAC, 1 or 3 phase, 50/60 Hz\*

\* Phase is field convertible.

## STANDARD FEATURES:

- Low water level cut-off and indicator
- Pressure gauge
- Temperature control
- Safety relief valve
- Type 316 stainless steel liner
- 2/3 steam jacket
- 50 PSI (345 kPa) high pressure operation for higher cooking temperature
- Integrally mounted controls
- Removable elements
- "Clean lock" to hold kettle in cooking position or 105° for ease of cleaning
- Stainless steel console and trunnion
- Water resistant construction
- Faucet bracket

## OPTIONAL ITEMS AT EXTRA COST:

- 220 VAC, 1 or 3 phase, 50/60 Hz
- 380 VAC, 3 phase, 50/60 Hz
- 415 VAC, 3 phase, 50/60 Hz
- 480 VAC, 3 phase, 50/60 Hz
- 600 VAC, 3 phase, 50/60 Hz
- 415/240 VAC, 3 phase, 4 wire, 50/60 Hz
- 380/220 VAC, 3 phase, 4 wire, 50/60 Hz
- Etched gallon markings (GM-6/10/12)
- Etched liter markings (LM-23/38/45)
- Correctional Package

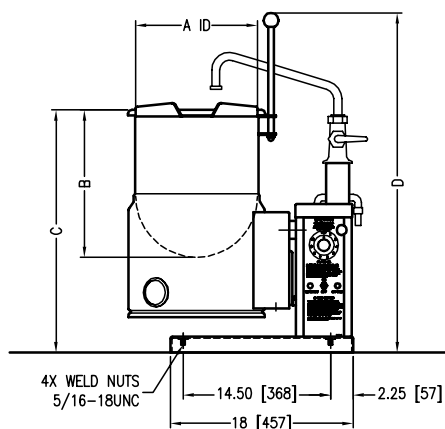
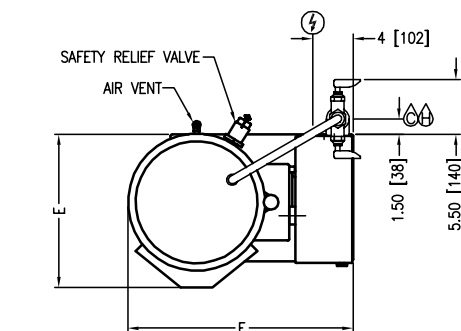
## ACCESSORIES:

- One piece lift-off stainless steel cover (C-6/10/12)
- Stainless steel wire basket (SSB-6/10/12)
- 21" (530 mm) high floor stand c/w sliding shelf (S-30).
- 21" (530 mm) high floor stand c/w sliding drain pan and stationary drain (SD-30).
- Graduated measuring strip (CMS-6/10/12)
- Single pantry faucet with swing spout (SF-12)
- Double pantry faucet with swing spout (DF-12)
- Pour lip strainer (TKS-6/10/12)

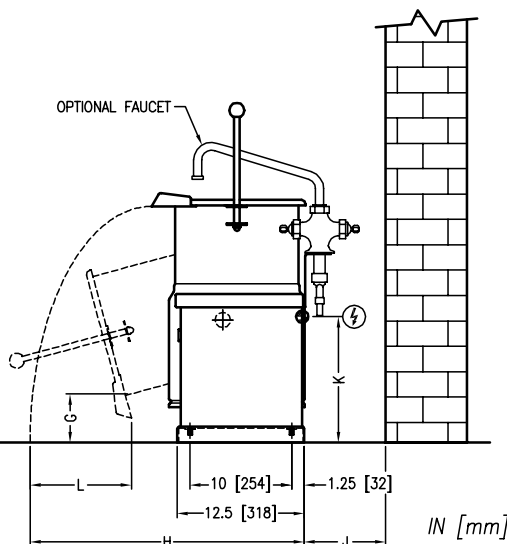
Job \_\_\_\_\_  
Item# \_\_\_\_\_



Models:  EC-6TW  EC-10TW  EC-12TW



Model	Shipping Weight	Minimum Clearance		
		Right Side	Left Side	Back
EC-6TW	120 lbs. [54 kg]	0"	3" (76 mm)	2.5" (64 mm)
EC-10TW	159 lbs. [72 kg]	0"	3" (76 mm)	2" (51 mm)
EC-12TW	190 lbs. [86 kg]	0"	3" (76 mm)	2" (51 mm)



**DIMENSIONS**

Model	Capacity	Units	A	B	C	D	E	F	G	H	J	K	L
EC-6TW	6 gallons 23 liters	in (mm)	12" (305)	14.38" (365)	24" (610)	33.5" (851)	15.25" (387)	22.25" (565)	4.50" (114)	27" (686)	4.25" (108)	12.38" (314)	10" (254)
EC-10TW	10 gallons 38 liters	in (mm)	16" (406)	15" (381)	26" (660)	34.88" (886)	17.25" (438)	26.25" (667)	4.62" (117)	28" (711)	6.12" (156)	14.75" (375)	12.75" (324)
EC-12TW	12 gallons 45 liters	in (mm)	16" (406)	17" (432)	28" (711)	36.88" (937)	17.25" (438)	26.25" (667)	4.12" (105)	30" (762)	6.12" (156)	14.75" (375)	12.75" (324)

**ELECTRICAL CHARACTERISTICS**

MODEL	PHASE	kW	AMPS PER LINE						
			208V	220V	240V	380V	415V	480V	600V
EC-6TW	1	7.5	36.0	34.1	31.3	-	-	-	-
	3	7.5	20.8	19.7	18.1	11.4	10.4	9.0	7.2
EC-10/12TW	1	12.0	57.6	54.6	50.0	-	-	-	-
	3	12.0	33.3	31.5	28.9	18.3	16.7	14.5	11.5

**SERVICE CONNECTIONS**

- ELECTRICAL CONNECTIONS: to be specified on data plate
- COLD WATER: 3/8" O.D. tubing to faucet (OPTIONAL)
- HOT WATER: 3/8" O.D. tubing to faucet (OPTIONAL)

**INTENDED FOR COMMERCIAL USE ONLY.  
NOT FOR HOUSEHOLD USE.**



70 Oakdale Road, Toronto ON, Canada M3N 1V9  
(919) 762-1000 www.crownsteamgroup.com