



DIRECT STEAM FULL JACKET 80 GALLON KETTLE

- DL-80F
- DL-80P

OPERATION SHALL BE BY:

Direct steam at a minimum of 5 PSI (34 KpA) and a maximum of 25 psi (172 kPa) is required.



OPTIONS & ACCESSORIES AT ADDITIONAL COST

- | | | |
|--|--|--|
| <input type="checkbox"/> 35 psi (241 kPa) high pressure operation for higher cooking temperature (HP-35) | <input type="checkbox"/> Triple basket assembly (TBA- 80F) | <input type="checkbox"/> Single pantry faucet with 12" (305mm) swing spout (SF-12) |
| <input type="checkbox"/> 3" (76 mm) draw-off valve (TVS-3) | <input type="checkbox"/> Steam trap assembly, consisting of steam trap, steam control valve, check valve and line strainer (STA-1) | <input type="checkbox"/> Double pantry faucet with 12" (305mm) swing spout (DF-12) |
| <input type="checkbox"/> Etched gallon markings (GM-80F) | <input type="checkbox"/> Solid disc for draw-off valve (TSS-) | <input type="checkbox"/> Single pantry kettle filler (SP-KF) |
| <input type="checkbox"/> Etched litre markings (LM-80F) | <input type="checkbox"/> Strainer hook (SH) | <input type="checkbox"/> Double pantry kettle filler (DP-KF) |
| <input type="checkbox"/> Correctional package | <input type="checkbox"/> Contoured measuring strip (CMS-) | <input type="checkbox"/> Kettle heat shield (KHS-) |
| <input type="checkbox"/> Pressure reducing valve (PRV-2) | <input type="checkbox"/> Draw-off valve hose kit with 8' (2.44m) hose (DVHK-) | |

STANDARD CONSTRUCTION SPECIFICATIONS

CROWN Model DL-80F or DL-80P, direct steam connected full jacket quad leg or pedestal kettle.

A double wall kettle interior shall form a steam jacket around the kettle.

The bottom of the kettle shall be of hemispherical design for superior heat circulation.

Construction shall be all welded satin finish stainless steel type 304.

The kettle interior shall be stainless steel type 316.

Convenience features shall include a 2" (50 mm) sanitary draw-off valve with perforated strainer and a hinged flat split stainless steel cover.

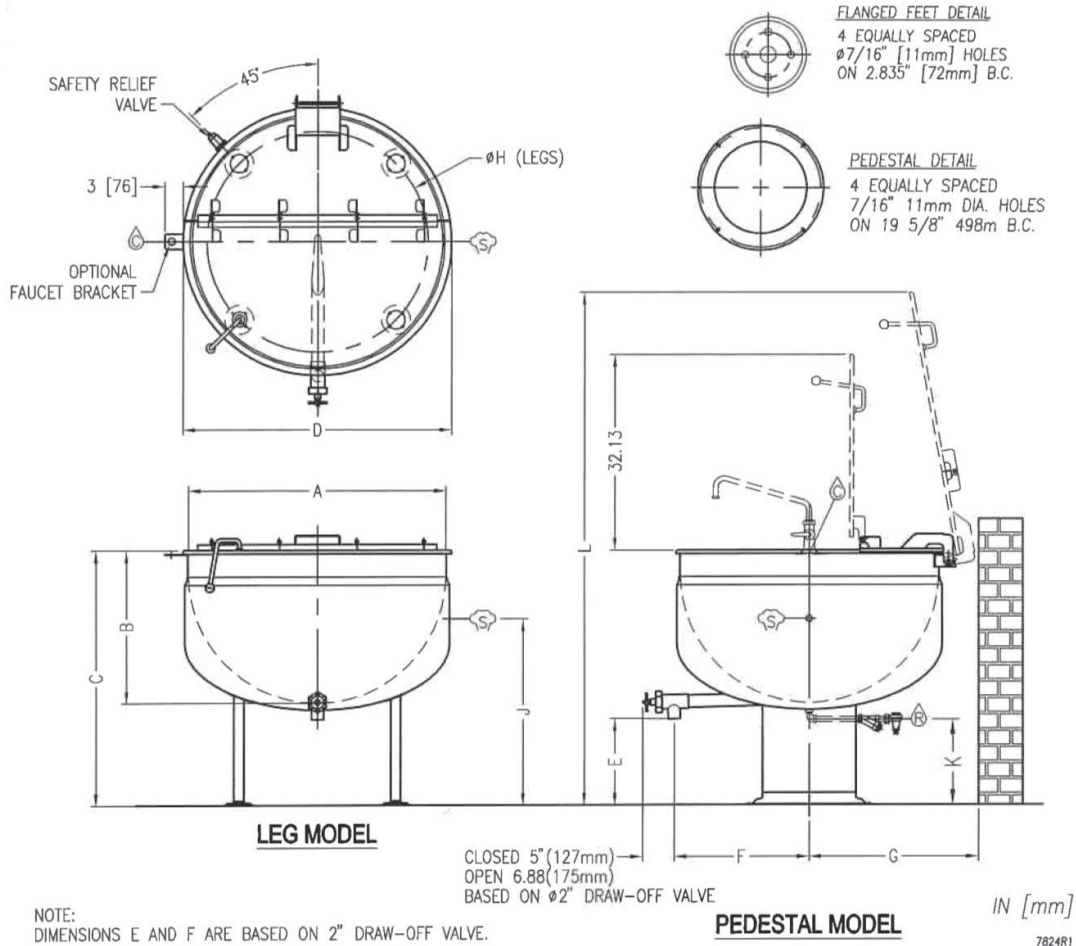
Faucet bracket standard.

The DL-80F kettle shall be mounted on four stainless steel tubular legs. Each leg shall be fitted with a 4 hole adjustable flanged foot for securing to the floor.

The DP 80F kettle shall be mounted on a pedestal base and shall have four 7/16" (11mm) holes evenly spaced for securing the unit to the floor.



Approval Notes: _____



NOTE:
DIMENSIONS E AND F ARE BASED ON 2" DRAW-OFF VALVE.

SERVICE CONNECTIONS

- STEAM SUPPLY: 3/4" IPS (19 mm)
- CONDENSATE RETURN: 1/2" IPS (13 mm)
- COLD WATER: 3/8" (10 mm) tubing to faucet (optional)

DIMENSIONS

MODEL	CAPACITY	UNITS	A	B	C	D	E	F	G	H	J	K	L
D(L,P)-80F	80 gallons (303 liters)	in (mm)	42" (1067)	23.75" (603)	40.5" (1029)	43.88" (1114)	14.13" (359)	22" (559)	27.5" (699)	36.13" (918)	35.5" (902)	14" (356)	82.88" (2105)
										NONE			

SPECIFICATIONS

MODEL	SHIPPING WEIGHT	MINIMUM CLEARANCE	
DL-80F	380 lbs. [172 kg]	SIDES BACK	3 [76]
DP-80	380 lbs. [172 kg]		.5 [13]

**INTENDED FOR COMMERCIAL USE ONLY.
NOT FOR HOUSEHOLD USE.**

