

DIRECT STEAM TRI-LEG KETTLE



- DL-20
- DL-30
- DL-40
- DL-60
- DL-80
- DL-100

OPERATION SHALL BE BY:

Direct steam at a minimum of 5 PSI (34 kPa) and a maximum of 30 PSI (206 kPa).

OPTIONS & ACCESSORIES AT ADDITIONAL COST

- | | |
|---|---|
| <input type="checkbox"/> 50 PSI (345kPa) high pressure operation for higher cooking temperature (HP-50) | <input type="checkbox"/> Triple basket assembly (TBA-) |
| <input type="checkbox"/> 3" (76 mm) draw-off valve (TVS-3) with perforated strainer (TPS-) | <input type="checkbox"/> Steam trap assembly consisting of steam trap, steam control valve, check valve and line strainer (STA-1) |
| <input type="checkbox"/> Etched gallon markings (GM-) | <input type="checkbox"/> Solid stainless steel disc for draw-off valve (TSS-) |
| <input type="checkbox"/> Etched litre markings (LM-) | <input type="checkbox"/> Strainer hook (SH) |
| <input type="checkbox"/> Single pantry faucet with swing spout (SF-18) | <input type="checkbox"/> Graduated measuring strip (CMS-) |
| <input type="checkbox"/> Double pantry faucet with swing spout (DF-18) | <input type="checkbox"/> Kettle heat shield (KHS-) |
| <input type="checkbox"/> Two piece hinged stainless steel cover (2PHC-, 40 gallon & up) | |

STANDARD CONSTRUCTION SPECIFICATIONS

Shall be a Crown model DL-20, DL-30, DL-40, DL-60, DL-80 or DL-100, direct steam connected tri-leg kettle.

A double wall kettle interior shall form a steam jacket around the lower 2/3 of the kettle.

The bottom of the kettle shall be of hemispherical design for superior heat circulation.

Unit shall be mounted on stainless steel tubular tri-legs.

Each leg shall be fitted with a 4 hole, adjustable, flanged foot for securing to the floor.

Construction shall be all welded satin finish stainless steel, type 304.

The liner shall be standard 316 for high acid content cooking.

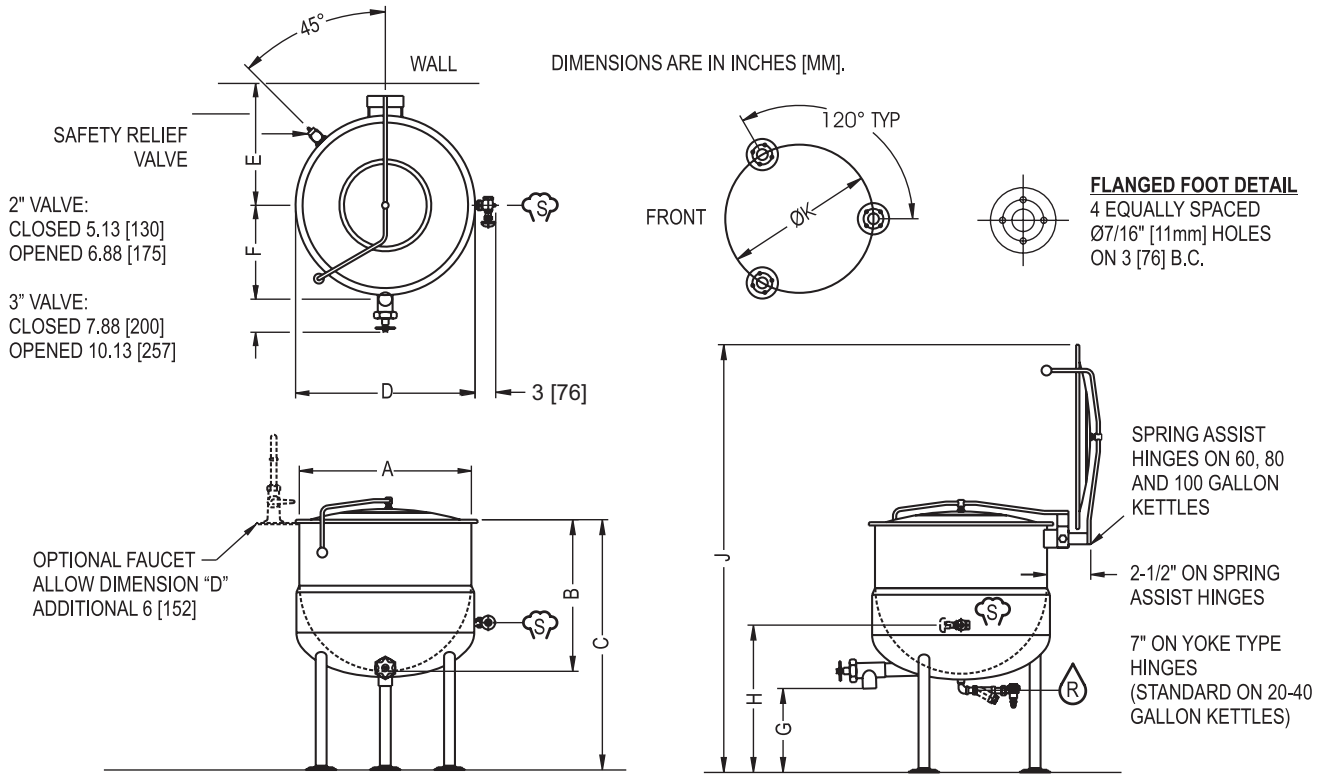
Convenience features shall include 2" (50mm) sanitary draw-off valve with perforated strainer and a spring assist hinged counterbalanced stainless steel domed cover.

Includes faucet bracket.



Approval Notes: _____

DL



SERVICE CONNECTIONS

- STEAM SUPPLY: 3/4" IPS (19 mm) 5-30 PSI (34-206 kPa). Optional 5-45 PSI (34-310 kPa).
- CONDENSATE RETURN: 1/2" IPS (13 mm)

DIMENSIONS

MODEL	CAPACITY	UNITS	A	B	C	D	E	F(2")	F(3")	G(2")	G(3")	H	J	K
DL-20	20 gallons (76 liters)	in (mm)	21" (533)	18" (457)	37" (940)	22.75" (578)	13.75" (349)	14.25" (362)	14.38" (365)	17" (432)	16.5" (419)	25.75" (654)	59.75" (1518)	17.5" (445)
DL-30	30 gallons (114 liters)	in (mm)	24" (610)	20" (508)	37" (940)	25.88" (657)	15.25" (387)	15.38" (391)	16.38" (416)	15" (381)	14.5" (368)	26.25" (667)	62.88" (1597)	20.5" (521)
DL-40	40 gallons (152 liters)	in (mm)	26" (660)	22.5" (572)	37" (940)	27.88" (708)	16.38" (416)	16.13" (410)	17.38" (441)	12.5" (305)	12" (305)	23.75" (603)	64.88" (1648)	22.5" (572)
DL-60	60 gallons (227 liters)	in (mm)	29.5" (749)	26" (660)	40.5" (1029)	31.38" (822)	18.13 (460)	17.63" (448)	19.13" (486)	12.5" (305)	12" (305)	24.63" (625)	72.88" (1851)	25.75" (654)
DL-80	80 gallons (303 liters)	in (mm)	33" (838)	28" (711)	40.5" (1029)	34.75" (883)	19.88" (505)	19.38" (492)	19.13" (486)	12.5" (305)	10" (254)	25.75" (654)	75.25" (1911)	29.25" (743)
DL-100	100 gallons (379 liters)	in (mm)	35.5" (902)	30" (762)	44.5" (1130)	37.25" (946)	21.13" (537)	20.13" (511)	19.13" (486)	12.5" (305)	12" (305)	26.5" (673)	81.75" (2076)	31.75" (806)

SPECIFICATIONS

MODEL	SHIPPING WEIGHT	MINIMUM CLEARANCE	
DL-20	155 lbs. [70 kg]	SIDES BACK	3 [76] .5 [13]
DL-30	180 lbs. [82 kg]		
DL-40	190 lbs. [86 kg]		
DL-60	265 lbs. [120 kg]		
DL-80	308 lbs. [140 kg]		
DL-100	360 lbs. [163 kg]		

**INTENDED FOR COMMERCIAL USE ONLY.
NOT FOR HOUSEHOLD USE.**

