

# WFAE-55F OPEN FRYER

WFAE-55F OPEN FRYER



**Wells WFAE-55F High Production Open Auto Lift Fryers** are engineered to meet today's high quality food service standards. These fryers give the user the highest production available in the industry today, while only requiring 4.9 square feet of floor space and using up to 25% less oil than similar models.

### Features

- **Automatic Oil Temperature Control** ensures precise temperatures to produce consistent high quality products while minimizing energy consumption.
- **Flat bar elements**, located below the basket, are heavy-duty stainless steel with a low watt density for longer oil life.
- **The solid state control** on the WFAE-55F incorporates a seven key programmable time and temperature menu.
- **Repeat cycle timer** activates using one push button operation.
- **Paperless filtration system** reduces labor and cleans oil more efficiently, and combined with Flavor Saver Filter Powder, will **substantially increase oil life**.
- **Automatic basket lift cradle** raises basket above oil at end of timed cook cycle, maximizing handling safety.
- **Frypot** is constructed of stainless steel and robotically welded for durability.
- **Fryers** are Underwriters Laboratories, Inc. LISTED and meet NSF International standards.
- **A one-year warranty** against defects covers parts and labor.

### Specifications

Overall Dimensions:	Inches	MM
Width	15 11/16	398
Depth	37 5/16	964
Height (incl. 4" legs)	45 11/16	1160
Oil Capacity:	Lbs.	KG
WFAE-55F	55	25
Typical Production:	Lbs.	KG
Chicken <i>frozen</i>	25*	11
Chicken <i>fresh</i>	33*	15
*With standard basket only		
Weights:	Lbs.	KG
Installed	212	96
Shipping	262	119

### Export

The following models are available for export and meet the standards for CE:

- **WFAE-55FC** 380-415VAC, 3Ø, 17100 watts

### Accessories / Options

Half-Size Baskets Available

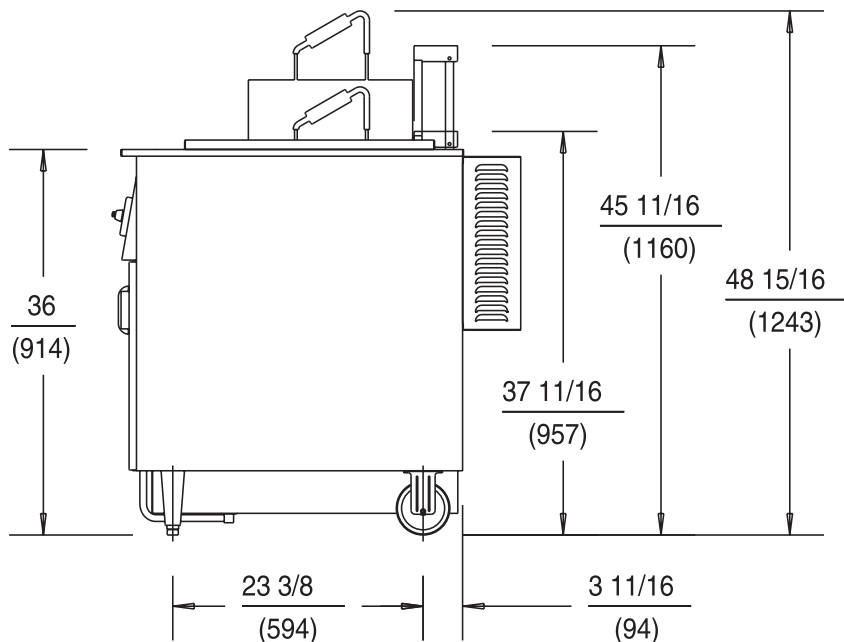
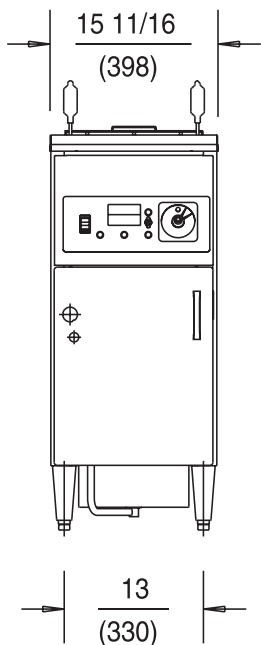
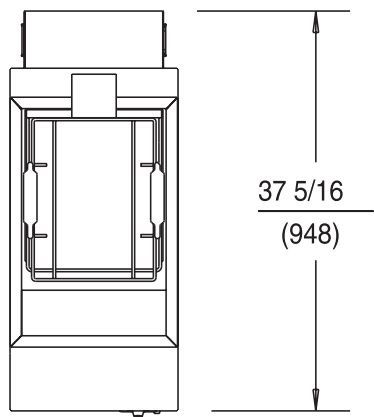




**MODEL  
WFAE-55F  
FRYER**

**DIMENSIONS:**

INCH  
(MM)



**WFAE-55F ELECTRICAL SPECIFICATIONS:**

MODELS	VOLTS	WATTS	AMPS PER LINE PHASE 3				AMPS SINGLE PHASE	POWER SUPPLY CORD
			L1	L2	L3	N		
WFAE-55F	208	17000	47.2	47.2	47.2	NA	NA	
WFAE-55F	240	17000	41.0	41.0	41.0	NA	NA	
WFAE-55FC	380-415	17100	26.0	24.0	24.0	3.0	NA	

All models with an 'S' suffix have the same electrical specifications as the standard units

Denotes export (EU) products.

NOTE: Specifications are subject to change without notice.

Wells Manufacturing · 265 Hobson Street, Smithville, Tennessee 37166 U.S.A.  
Phone : (800) 264-7827 · Fax (314) 781-3636  
www.wells-mfg.com · Printed in the U.S.A.

