

Product Specifications 23 cu ft Refrigerators

CRE527-SS: Solid Door Refrigerator
CRE527-SG: Glass Door Refrigerator



Designed in partnership with industry-leading Italian commercial manufacturer, Desmon.



CRE527-SS



CRE527-SG

Project:

Notes:

Features and Specifications

Stainless Steel
Volume of 23 cu ft
Electronic digital temperature control with alarms
Autodefrost
Epoxy coated, sealed evaporator eliminates potential of corrosion
High efficiency evaporator coil & condenser
Factory pre-wired for dedicated outlet
Includes 3 epoxy coated wire shelves
Key lock
LED lighting
Dimensions: 82 9/32" H x 26 25/32" W x 31 1/2" D
Temperature range: 28°F - 46°F
High efficiency compressor with 3.2 running amps
Environmentally friendly R290 refrigerant

Model Details

Model	Description	Voltage/Hz	Shipping Weight
UCRE527-SS31A	23 cu ft Refrigerator Solid Door, Field Reversible Hinge	115v / 60hz	287 lb
UCRE527-SG41A	23 cu ft Refrigerator Glass Door, Right Hand Hinge	115v / 60hz	327 lb

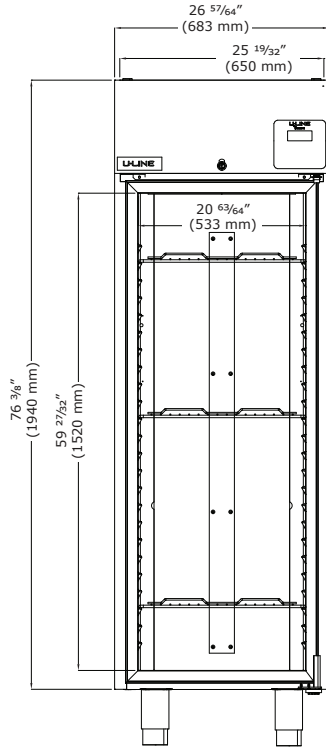
Accessories

Model	Description	Shipping Weight
ULAQ32-0002	Epoxy Coated Wire Shelf (20.86" x 25.6")	2.2 lb
ULA89010340	Caster Kit	13.22 lb

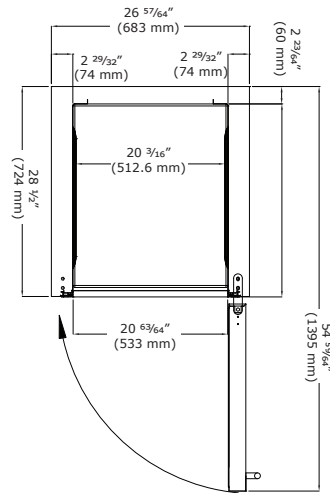


Product Specifications • 23 cu ft Refrigerators

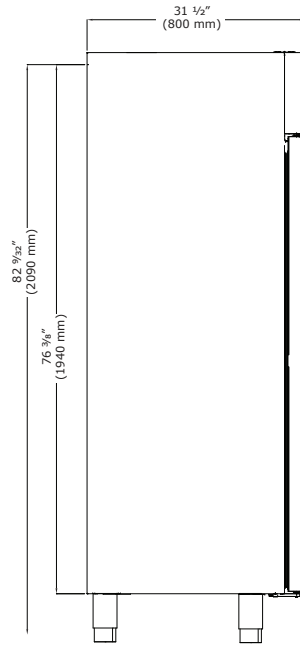
Front (Open)



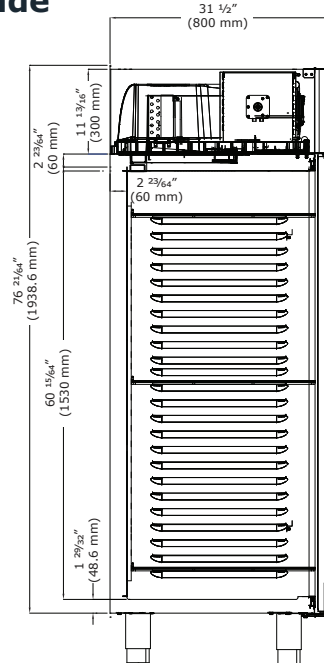
Top



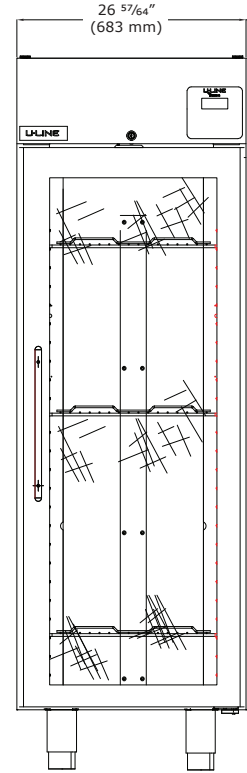
Side



Side



Front (Closed - Glass Door)



Commercial Warranty

1 Year (parts & labor) / 5 year sealed system (parts)
See complete warranty for details

