



## Product Specifications

# 24" Refrigerators / Wine Refrigerators

CRE524: 24" Refrigerator

CWC524: 24" Wine Refrigerator



CRE524-SG



CRE524-SS



CWC524-SG



CWC524-SS

Project:	Notes:
----------	--------

Features and Specifications
Convection cooling system provides a quick cool down and consistent temperature
U-Adjust™ Interior: 19 possible positions
Refrigerator models include 2 slide-out metal shelves
Wine Refrigerator models include 5 slide-out wine racks
Stainless steel cabinet, grille, and full-wrap door with lock
Full-depth lower interior with a volume of 5.2 cu ft
Dimensions: 33 1 <sup>1</sup> / <sub>16</sub> " H x 23 5 <sup>8</sup> / <sub>16</sub> " W x 22 1 <sup>5</sup> / <sub>16</sub> " D
Designed for built-in or freestanding applications
Temperature range: 34°F - 70°F
High efficiency variable speed compressor with 1.2 running amps
Environmentally friendly R600a refrigerant

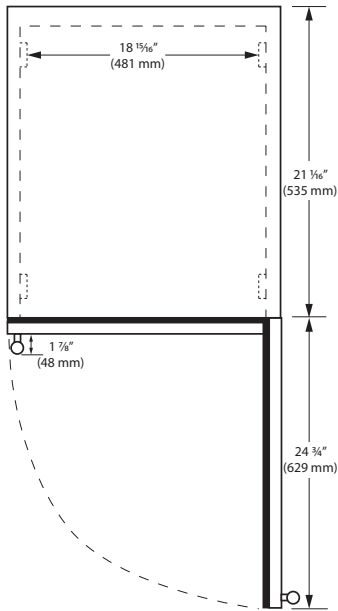
Model Details			
Model	Description	Voltage/Hz	Shipping Weight
UCRE524-SG33A	Refrigerator 24" Reversible Hinge Stainless Glass	115v / 60hz	165 lb
UCRE524-SS33A	Refrigerator 24" Reversible Hinge Stainless Solid	115v / 60hz	150 lb
UCWC524-SG33A	Wine Refrigerator 24" Reversible Hinge Stainless Glass	115v / 60hz	168 lb
UCWC524-SS33A	Wine Refrigerator 24" Reversible Hinge Stainless Solid	115v / 60hz	153 lb

Accessories		
Model	Description	Shipping Weight
ULACASTERKIT24	24" caster kit - for UCWC & UCRE	TBD lb
ULAWINERACK24	Slide-out wine rack	TBD lb
ULABIN24	Slide-out bin	TBD lb
ULASHELF24	Slide-out metal shelf	TBD lb

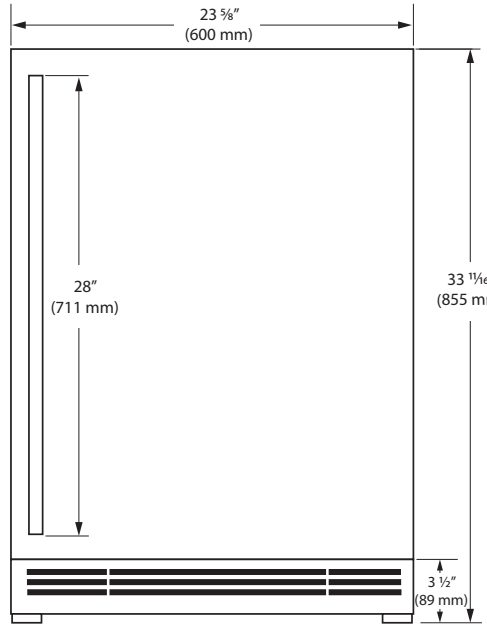


# Product Specifications • 24" Refrigerators / Wine Refrigerators

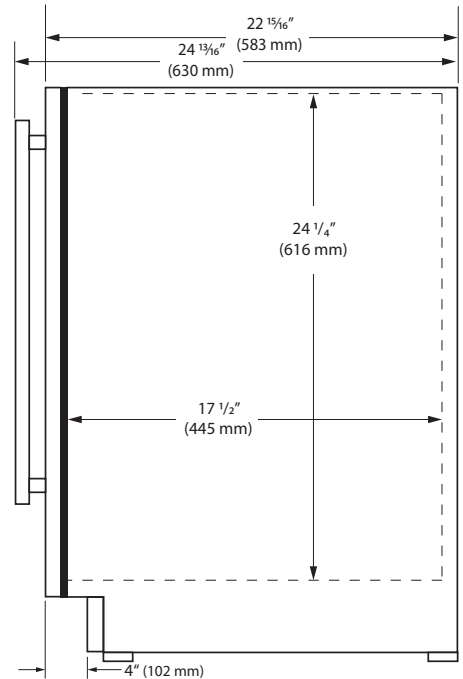
**Top**



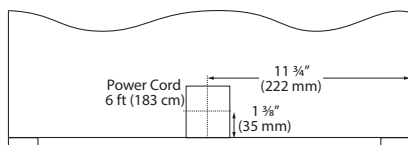
**Front**



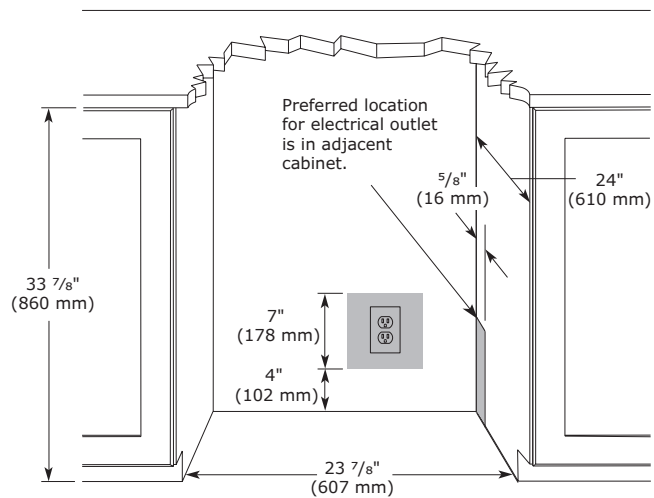
**Side**



**Back**



**Cabinet Cut-Out**



## Commercial Warranty

1 Year (parts & labor) / 5 year sealed system (parts)  
See complete warranty for details

## Installation Notes

- Power cord extends 2" beyond total depth
- No additional clearance is needed for ventilation
- Do not obstruct front grille air flow