



Product Specifications

15" Refrigerators / Wine Refrigerators

CRE515: 15" Refrigerator

CWC515: 15" Wine Refrigerator



CRE515-SG CRE515-SS CWC515-SG CWC515-SS

Project:	Notes:
----------	--------

Features and Specifications

Convection cooling system provides a quick cool down and consistent temperature
U-Adjust™ Interior: 19 possible positions
Refrigerator models include 2 slide-out metal shelves
Wine Refrigerator models include 5 slide-out wine racks
Stainless steel cabinet, grille, and full-wrap door with lock
Full-depth lower interior with a volume of 2.9 cu ft
Dimensions: 33 15/16" H x 14 15/16" W x 22 15/16" D
Designed for built-in or freestanding applications
Temperature range: 34°F - 70°F
High efficiency variable speed compressor with 1.2 running amps
Environmentally friendly R600a refrigerant

Model Details

Model	Description	Voltage/Hz	Shipping Weight
UCRE515-SG33A	Refrigerator 15" Reversible Hinge Stainless Glass	115v / 60hz	108 lb
UCRE515-SS33A	Refrigerator 15" Reversible Hinge Stainless Solid	115v / 60hz	96 lb
UCWC515-SG33A	Wine Refrigerator 15" Reversible Hinge Stainless Glass	115v / 60hz	111 lb
UCWC515-SS33A	Wine Refrigerator 15" Reversible Hinge Stainless Solid	115v / 60hz	99 lb

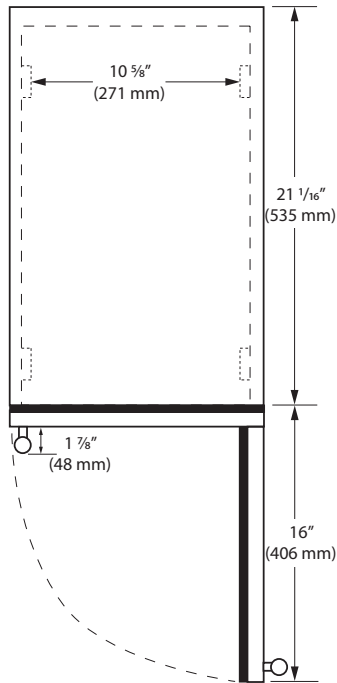
Accessories

Model	Description	Shipping Weight
ULACASTERKIT15	15" Caster Kit for UCWC & UCRE	TBD lb
ULAWINERACK15	Slide-out rack	TBD lb
ULABIN15	Slide-out bin	TBD lb
ULASHELF15	Slide-out metal shelf	TBD lb

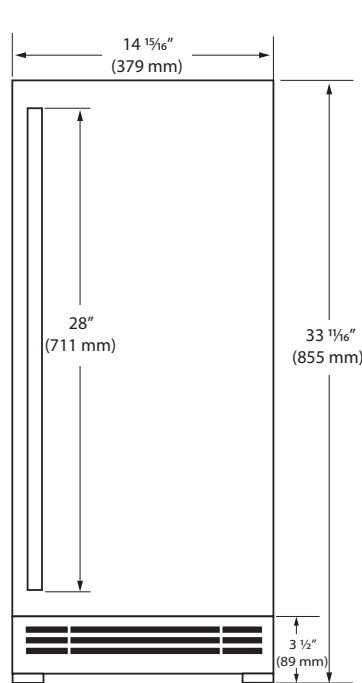


Product Specifications • 15" Refrigerators / Wine Refrigerators

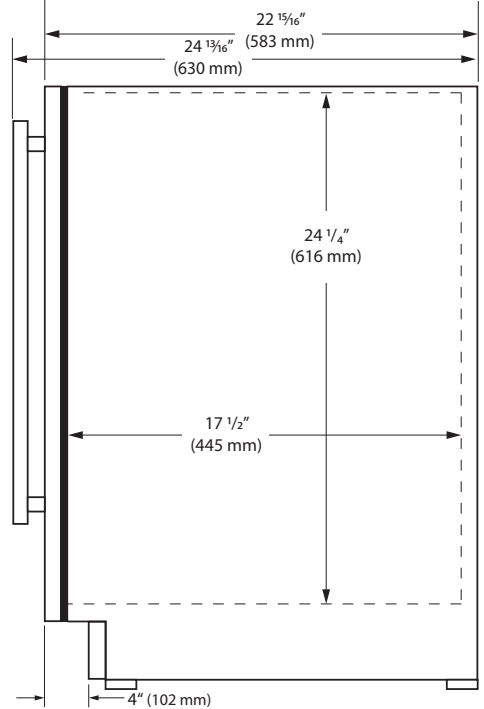
Top



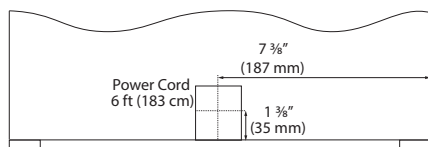
Front



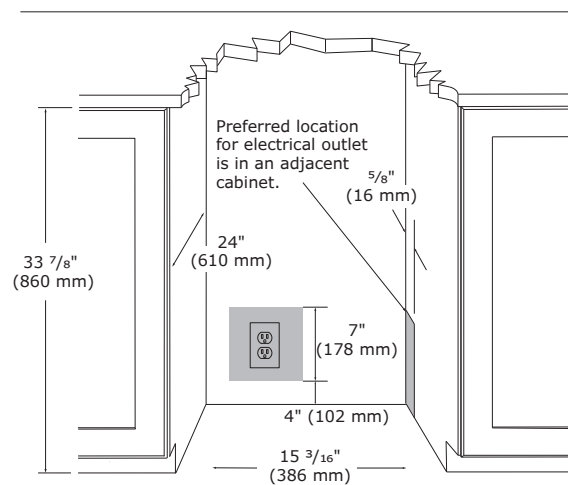
Side



Back



Cabinet Cut-Out



Commercial Warranty

1 Year (parts & labor) / 5 year sealed system (parts)
See complete warranty for details

Installation Notes

- Power cord extends 2" beyond total depth
- No additional clearance is needed for ventilation
- Do not obstruct front grille air flow