



## Product Specifications

# Configurable Back Bar Refrigeration



CBR532



CBR552



CBR572



CBR592

Project:	Notes:
----------	--------

### Features

Convection cooling system provides a quick cool down and consistent temperature
Stainless steel inside and out
Temperature range: 33°F - 70°F
Bright white & blue LED interior lighting
Automatic defrost
Field reversible door(s) with lock(s)
Adjustable coated wire shelves
High efficiency compressor with 1.2 running amps
NSF/ANSI Standard 7 compliant

### Specifications

Model	CBR532	CBR552	CBR572	CBR592
Dimensions	34 9/16" H x 32" W x 24 3/4" D	34 9/16" H x 52" W x 24 3/4" D	34 9/16" H x 72" W x 24 3/4" D	34 9/16" H x 92" W x 24 3/4" D
Internal Volume	5.97 cu ft	13.35 cu ft	20.50 cu ft	27.77 cu ft
Refrigerant	R600a	R600a	R290	R290

### Model Details

Model	Description	Voltage/Hz	Shipping Weight
UCBR532-SS01A	32" Back Bar, 1 Solid Door, Lock, Condenser Right, 2 Wire Shelves, Solid Top, Stainless Steel	115v / 60hz	302 lb
UCBR552-SS01A	52" Back Bar, 2 Solid Doors, Locks, Condenser Right, 4 Wire Shelves, Solid Top, Stainless Steel	115v / 60hz	382 lb
UCBR572-SS01A	72" Back Bar, 3 Solid Doors, Locks, Condenser Right, 6 Wire Shelves, Solid Top, Stainless Steel	115v / 60hz	496 lb
UCBR592-SS01A	92" Back Bar, 4 Solid Doors, Locks, Condenser Right, 8 Wire Shelves, Solid Top, Stainless Steel	115v / 60hz	542 lb

**Factory build options include:** Condenser on left side, glass door(s), tap-tower ready (32", 52" - single tower ready, 72", 92" - double tower ready)

### Accessories

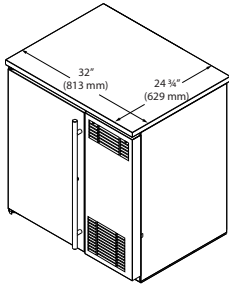
Model	Description	Shipping Weight
ULACOMLEGS4	4, 6" Adjustable leveling legs for CBR532 & CBR552	10 lb
ULACOMLEGS6	6, 6" Adjustable leveling legs for CBR572 & CBR592	14 lb
ULACOMCASTERS4	4, 6" Casters for CBR532 & CBR552	12 lb
ULACOMCASTERS6	6, 6" Casters for CBR572 & CBR592	17 lb
ULASHELF24	Slide out metal shelf	9 lb
ULAWINERACK24	Slide out wine rack	8 lb
ULABIN24	Slide out bin	9 lb
ULATAPSINGLE	Single Beer Tap Tower Kit	20 lb
ULATAPDOUBLE	Double Beer Tap Tower Kit	24 lb
ULABACKBARCOFFEE2	2 Tap Nitro Coffee Kit	TBD
ULABACKBARCOFFEE3	3 Tap Nitro Coffee Kit	TBD
ULABACKBARCOFFEE4	4 Tap Nitro Coffee Kit	TBD



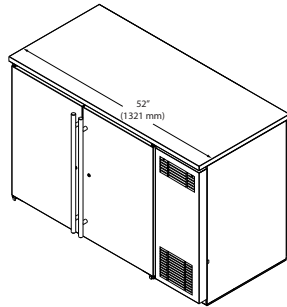
# Product Specifications

## Configurable Back Bar Refrigeration

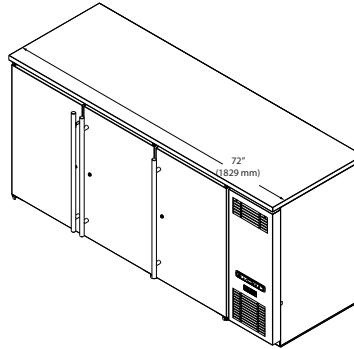
**CBR532**



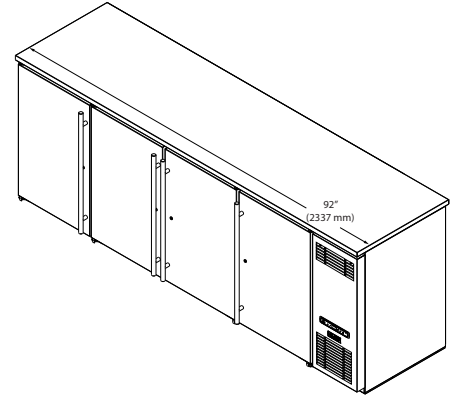
**CBR552**



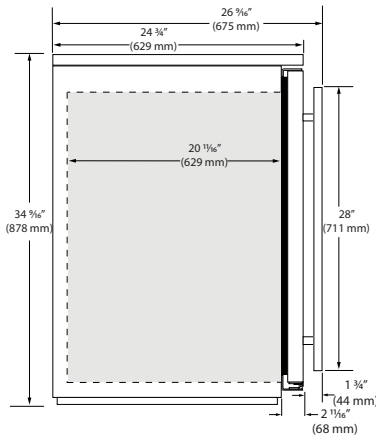
**CBR572**



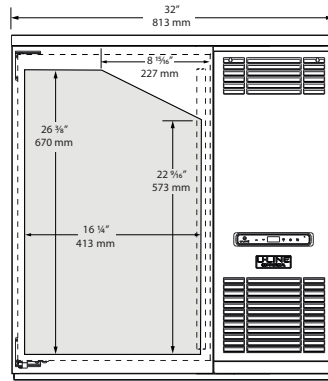
**CBR592**



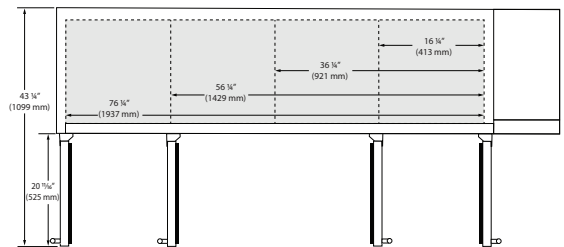
**Side**



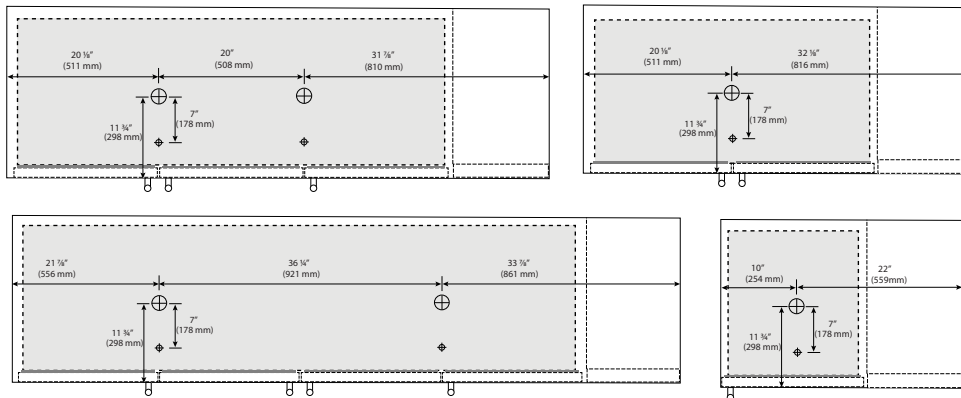
**Front**



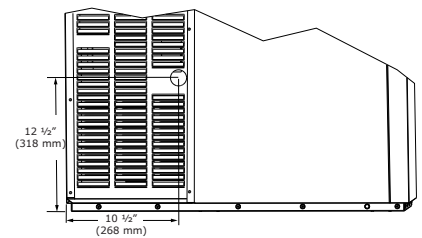
**Top**



**Tower 2 3/4\" (70 mm)/Drain 1\" (25 mm) Location**



**Back Panel**



### Commercial Warranty

1 Year (parts & labor) / 5 year sealed system (parts)  
See complete warranty for details

### Notes

- Dimensions/image shown are for refrigeration unit on right