



IBI SCIENTIFIC

9861 Kapp Court Peosta, IA 52068

Tele: (563) 690-0484 Toll Free: 1-800-253-4942

Fax: (563) 690-0490 E-Mail: info@ibisci.com

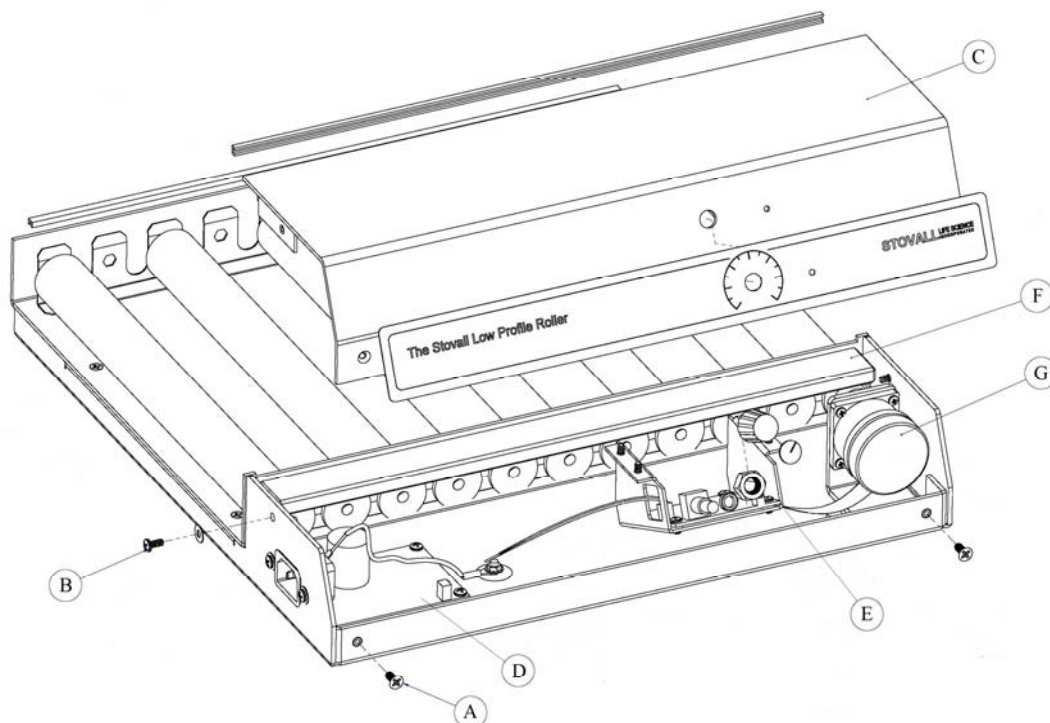
Web: www.ibisci.com

ISO 9001:2008 Certified

ROLMT0001 – Replacement Roller Motor Installation

Important! – Prior to starting project, ensure unit is unplugged from electrical source.

- 1.) First, using a phillips screw driver loosen the (2) flat-head screws located on the front lower part of the front cover. See balloon “A”. Once those (2) screws have been removed, locate the pan-head screws on each side of the unit. There is (1) screw on each side, located near the front of the unit. Remove these (2) screws as well. See balloon “B”.
- 2.) Now carefully rotate the front cover forward and place on its face in front of the unit. This will expose the inside of the unit. **NOTE:** Cables connecting the PC boards and motor assembly are short in length, use caution not to damage cables or connectors when disassembling.
- 3.) Now remove two wire (red/black) wire harness from the PC board, located on the left side of the base of the unit. This will help free the front cover from the base of the unit. See balloon “D”. Next locate the ribbon cable from the motor to the PC board mounted to the underside of front cover. Using a small flat screw driver, carefully slide the two tabs outward on the connector mounted on the PC Board (where the motor cable is connected). Once the two tabs have been slid outward the motor cable will freely slide out of the connector. See balloon “E”. This will free the front cover from the base of the unit. Carefully place front cover out of the way for now. See balloon “C”.





IBI SCIENTIFIC

9861 Kapp Court Peosta, IA 52068

Tele: (563) 690-0484 **Toll Free:** 1-800-253-4942

Fax: (563) 690-0490 **E-Mail:** info@ibisci.com

Web: www.ibisci.com

ISO 9001:2008 Certified

- 4.) Next, remove the (2) screws from the under side of the base (located near the front right corner). This will free the motor bracket from the base. Carefully slide the motor and bracket away from gear assembly and remove from unit. See balloon “G”.
- 5.) Using an allen wrench loosen, then remove the coupler from the motor shaft. Keep this part; you will need to reattach it to the new motor. Next, using an allen wrench, remove the (4) screws holding the motor to the bracket. After removing the screws, remove the motor and discard. Align the new motor in the same fashion as the old one, and replace the (4) screws using the allen wrench to tighten.
- 6.) Place the coupler onto the shaft of the motor, aligning the flat of the shaft with the set screw. The inside of the coupler should be flush with the end of the motor shaft. Tighten set screw.
- 7.) Rotate the gear assembly so the gear assembly coupler and motor coupler properly align, and slide motor/bracket assembly into place. Once coupler is aligned, replace (2) screws from under the base of the unit to secure the motor bracket assembly. Once aligned, tighten screws.
- 8.) Now place the front cover in front of the base and locate the wire cable from the motor assembly. Connect the cable to the board mounted under the top cover. To assemble slide the cable into the connector (through the hole in sheet metal), once the cable is inserted, press the tabs on either side of the connector inward to secure the cable. See balloon “E”.
- 9.) Next, replace the red/black wire harness from the board mounted to the underside of the top cover to the board mounted on the left side of the base. See balloon “D”.
- 10.) Carefully rotate top cover assembly onto base and press into position. Use care not to bend or crease the motor cable, cable is very fragile! Finally replace (2) screws into side of unit and (2) screws into front of unit and tighten.
- 11.) Reconnect unit’s power cord to input entry module and standard power source. Turn control dial on front of unit and ensure unit will now function properly.