

OPERATOR'S MANUAL

Hi/Lo Rocker



IBI Catalog Number: **ROCAA115S**
ROCAA220S



IBI SCIENTIFIC

9861 Kapp Court ♦ P.O. Box 219 ♦ Peosta, IA 52068

Tele: (563) 690-0484 ♦ Toll Free: (800) 253-4942

Fax: (563) 690-0490 ♦ E-Mail: info@ibisci.com

WWW.IBISCI.COM

TABLE OF CONTENTS

A. SAFETY INFORMATION	3
B. PACKAGE CONTENTS & UNPACKING	3
C. PRODUCT SPECIFICATIONS	3
D. INSTALLATION	4-5
LOCATION	4
ELECTRICAL CONNECTION	4
SPECIAL INSTRUCTIONS FOR 220/240V CUSTOMERS	4
TRANSPORT	5
E. OPERATION	5-6
SETTING THE HI/LO ROCKER UP	5
ATTACHING ADDITIONAL PLATFORMS TO HI/LO ROCKER	6
ADJUSTMENT OF THE PLATFORM TILT CONTROL	6
F. APPLICATIONS	7
G. TROUBLE SHOOTING	7
H. MAINTENANCE OF UNIT	8
I. ACCESSORIES & REPLACEMENT PARTS	8
ACCESSORIES	8
REPLACEMENT PARTS	8
J. LIMITED WARRANTY	8

A. SAFETY INFORMATION

Important Safety Information!

- ◆ Please read this manual carefully before operating your new IBI Hi/Lo Rocker unit.
- ◆ This manual contains important operating and safety information.
- ◆ To best use the product, please read the entire manual carefully prior to use.
- ◆ To avoid possible injury, this product should only be used for its intended purpose.

B. PACKAGE CONTENTS & UNPACKING

Upon receiving this product, please verify all of the noted parts and accessories are contained in this package. Awareness of the stated cautions and warnings contained within this manual, compliance with recommended operating parameters, and maintenance requirements are important for safe and satisfactory operation.

- ◆ The Hi/Lo Rocker unit
- ◆ Power Cords - 115V (US) or 230V (European)
- ◆ Operation Manual

Save all packing material, and these instructions, if the rocker is received damaged. This rocker was carefully packaged and thoroughly inspected before leaving the factory. Responsibility for its safe delivery was assumed by the carrier upon acceptance of the shipment; therefore, claims for loss or damage sustained in transit must be made with the carrier.

NOTE: Carefully inspect all items in the package to insure no items are broken or missing. If there are items broken, please inspect the package carefully for signs of shipping damage. If there is ANY sign of shipping damage, please contact the carrier and file a claim with them immediately. Contact the distributor from which you purchased the item or IBI Scientific for assistance at (800) 253-4942 or (563) 690-0484.

C. PRODUCT SPECIFICATIONS

	<u>Height</u>	<u>Width</u>	<u>Length</u>	
Unit Dimensions:	3.75"	13.75"	15.75"	
Unit Weight:	16lbs			
Maximum Load:	20lbs			
Operation Temp.:	0° - 60°C			
Platform Tilt:	2° - 11°			
Electrical:	Voltage: <u>115V</u>	Power: <u>230W</u>	Fuse: <u>2A</u>	
	Voltage: <u>230V</u>	Power: <u>230W</u>	Fuse: <u>1A</u>	

D. INSTALLATION

LOCATION

The Hi/Lo Rocker is designed to operate in a reasonable, but limited, range of temperatures and conditions. It can be used in incubated and refrigerated environments, as well as ambient laboratory conditions. The operating temperature range of this unit is 0° - 60°C, and it will successfully operate in non-condensing humidity environments of up to 95% humidity with CO₂.

WARNING: Operate this unit in temperature conditions between 0° and 60°C, and in less than 95% non-condensing humidity environments.

ELECTRICAL CONNECTIONS

For your personal safety, this unit must be properly grounded. The supplied power cord is equipped with a three-prong, grounded plug, that mates to a standard three-prong grounded wall receptacle. This is done to minimize the possibility of electric shock hazard from this unit. The user should also have the wall receptacle and circuit checked by a qualified electrician to ensure the receptacle is properly grounded prior to use. Where a two-prong wall receptacle is encountered, it is the responsibility of the user to have it replaced with a properly grounded three-prong wall receptacle.

WARNING: Do not, under any circumstance, cut or remove the third ground prong from the supplied power cord. Also, do not use a three-to-two prong adaptor plug.

Determine the total amount of current presently being used by other apparatus connected to the circuit that will be used by this rocker. The typical current demand for a Hi/Lo Rocker is less than 1Amp. It will not pull more than 0.6 - 1.2Amps of current during a short interval. It is critical that this added current demand, and other equipment connected to the circuit not exceed the rating of the line fuse or circuit breaker.

FUSE: The supplied fuse for the Rocker is 5x20mm by 1.25Amp Slo-Blo (115V) or 5x20mm by 0.63Amp Slo-Blo (230V).

SPECIAL INSTRUCTIONS FOR 220/240V CUSTOMERS

220V and 240V power is typically used in Europe and many pacific countries. 220/240V customers are directed to the following information since the power cord enclosed may not have the proper wall plug supplied and user may need to supply own approved plug.

Certification Markings					
Country	Agency	Certification Mark	Country	Agency	Certification Mark
Australia	SA		Italy	IMQ	
Austria	OVE		Netherlands	KEMA	
Belgium	CEBEC		Norway	NEMKO	
Denmark	DEMKO		Spain	AEE	
Finland	FIMKO		Sweden	SEMKO	
France	UTE		Switzerland	SEV	
Germany	VDE		UK	ASTA	
Ireland	NSAI				

The enclosed cord bears the VDE and HAR marks and contains marked conductors as evidence that it meets the Harmonized requirements of the Cenelic countries. The individual conductors have a cross sectional area of 2.25mm. The detachable cord must be connected to a plug with the mark of approval used by an official agency for the location of use. Please refer to the following chart to assist in securing the correct wall plug for this unit's application.

TRANSPORT

Always unplug the power cord from the wall receptacle prior to moving the rocker. When moving the Hi/Lo Rocker from one location to another, lift and carry the rocker by grasping underneath the base of the unit.

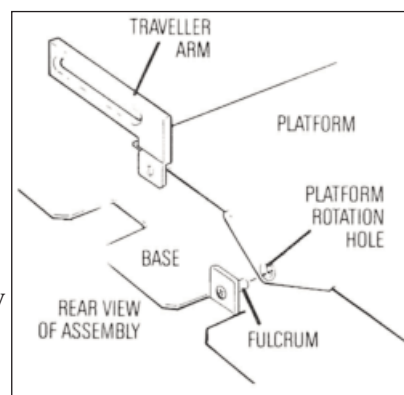
E. OPERATION

SETTING THE HI/LO ROCKER UP

Your new Hi/Lo Rocker comes to you packaged in three (3) pieces, which must be put together prior to use.

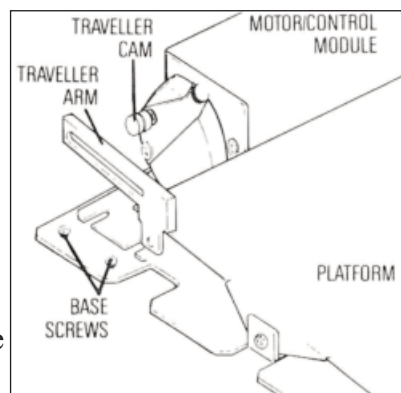
- 1.) Base
- 2.) Platform w/Traveller Arm Attached
- 3.) Motor/Control Module

Step 1 - Insert the platform with the traveller arm as illustrated in view to the right.



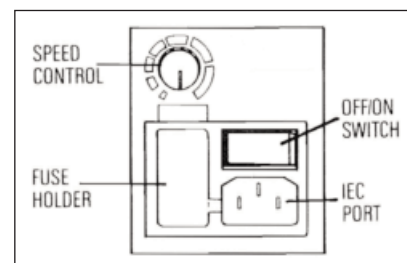
Step 2 - A.) Loosen the two base screws which secure the flange of the motor control module.

- B.) Place the module so the shoulder washer attached to the base slips into the large part of the keyhole slot in the bottom of the module.
- C.) Push the motor control module forward and guide the traveller cam into the traveller arm groove. See figure to the right.
- D.) Tighten the two screws holding the flange in place.



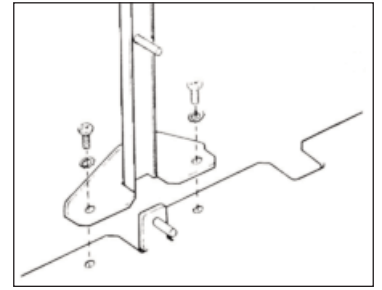
Step 3 - A.) Attach the power cord to the IEC in the front of the motor control module. See figure to the right.

- B.) Plug the cord into a wall outlet of the appropriate voltage to operate.

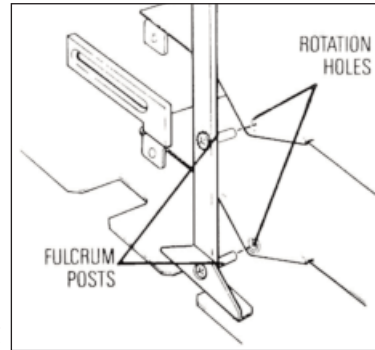


ATTACHING ADDITIONAL PLATFORMS TO THE HI/LO ROCKER

- Step 1** - A.) Set the basic rocker unit up as described in the previous section.
B.) Attach the two uprights, front and back, as described in the illustration to the right.

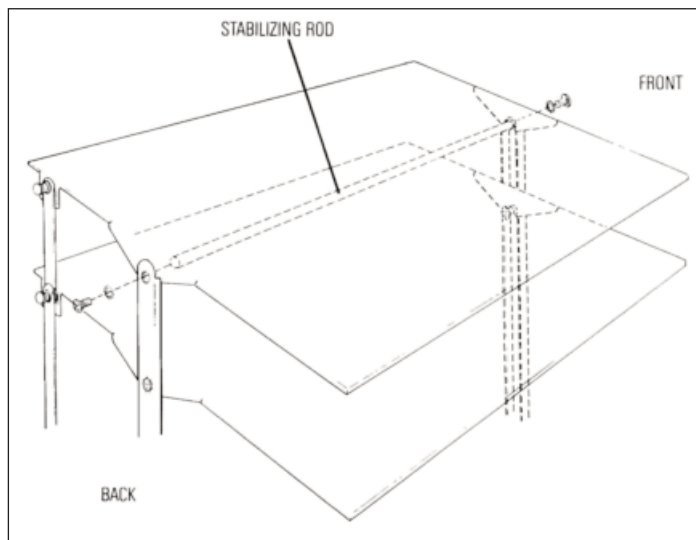
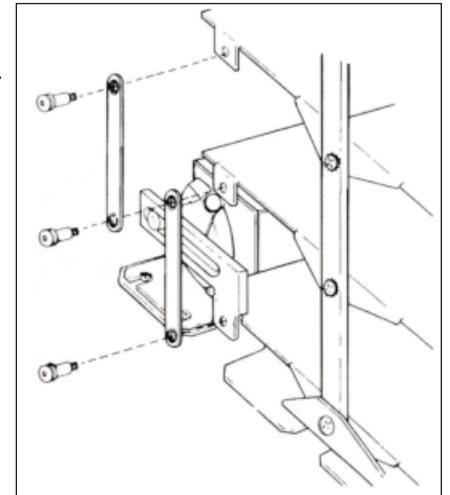


- Step 2** - A.) Slide the platform rotation hole with bearing over the fulcrum installed in the rear upright.
B.) The half-hole in the front of the platform rests on the fulcrum post at the front of the unit. See figure to the right.



- Step 3** - A.) Attach the additional platforms as illustrated.
B.) Work your way up from the bottom to the final platform.

- Step 4** - A.) The final platform (it can be the first, second, or third additional platform) uses a stabilizing rod as its fulcrum post. See figure below.
B.) Insert the rod into the rotation hole of the platform and secure the supportive rod to both uprights as illustrated.

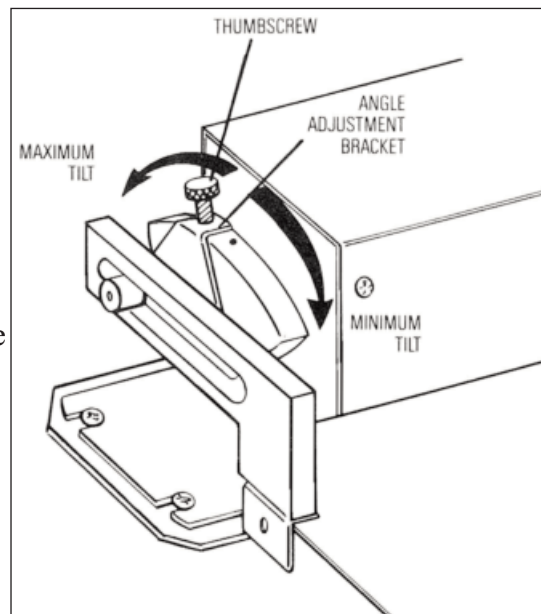


ADJUSTMENT OF THE PLATFORM TILT CONTROL

Step 1 - The angle of the platform can be adjusted from 2 degrees (minimum) to 11 degrees (maximum).

- A.) Loosen the thumbscrew on the angle adjustment bracket.
- B.) Facing from the rear of the unit, move to the left for maximum tilt, and the right for minimum tilt. Tighten the thumbscrew to secure the platform tilt angle.

WARNING: Maximum load should not exceed 20lbs.



F. APPLICATIONS

- ♦ Staining and Destaining Gels
- ♦ Northern and Southern Hybridizations
- ♦ Western Blotting and Membrane Rinsing
- ♦ Phage Elution and Amplification of cDNA Libraries

G. TROUBLE SHOOTING

In the unlikely event a problem develops with your Hi/Lo Rocker, do NOT attempt to perform any service on the unit without first contacting IBI SCIENTIFIC. Unauthorized servicing may void the warranty. IBI will readily supply information regarding trouble shooting minor issues upon request.

Should your rocker suddenly cease to operate, first make sure there is power to the circuit to which the rocker is connected.

Secondly, check the fuse in the front panel.

- A.) Unplug the power cord
- B.) Open the fuse panel with the help of a screw driver. The fuse holder insert will pop free, exposing the fuse.
- C.) Replace the defective fuse with one of equal rating. A spare fuse is also included inside the fuse holder.

If the status light does not operate when the power is turned on, one of the above two situations is most likely the cause of the problem.

In any correspondence with IBI SCIENTIFIC concerning your Hi/Lo Rocker please refer to the appropriate MODEL NUMBER and SERIAL NUMBER, located on the specplate on the rear plate of the unit.

H. MAINTENANCE OF UNIT

Care must be observed in the handling of this unit.

DO NOT expose the unit to temperatures above 60°C

DO NOT expose the unit to organic solvents

DO NOT clean the unit with abrasive cleaners or cleaning aids.

Use mild cleaning solution (dish soap recommended) for routine cleaning. For heavier dirt, hand wash with soft cloth. In most cases, a rinse in deionized water is sufficient to clean the unit.

I. ACCESSORIES & REPLACEMENT PARTS

Hi/Lo ROCKER ACCESSORIES

<u>Catalog #</u>	<u>Description</u>
ACCRC00P1	+1 Accessory Platform (<i>adds an additional platform to unit</i>)
ACCRC00P2	+2 Accessory Platform (<i>adds an additional platform to unit</i>)
ACCRC00P3	+3 Accessory Platform (<i>adds an additional platform to unit</i>)

Hi/Lo ROCKER REPLACEMENT PARTS

<u>Catalog #</u>	<u>Description</u>
COMBD0003	Replacement P.C. Board
COMCD0002	Replacement Flat Power Cord - 115V
COMCD0004	Replacement Power Cord - 220V (European)
COMCD0005	Replacement Power Cord - 220V (UK)
ROCMT0001	Replacement Rocker Motor (<i>24VDC</i>)
ROCPL0001	Replacement Rocker Cam

J. LIMITED WARRANTY

Our limited warranty for all life science equipment is one (1) year to the original buyer only (non-transferable) from the original date of purchase.

Our limited warranty as noted above extends to the direct end user of IBI Scientific products only. This warranty is in lieu of all other warranties whether expressed or implied, including warranties of merchantability or fitness for a particular purpose. In no situation shall IBI Scientific be liable for any incidental or consequential damages of any kind, even though IBI Scientific has been advised of the possibility of such damages arising out of, or resulting from, the products or the use or modification thereof or due to the breach of this warranty or any other obligation of IBI Scientific to the customer, whether based on contract, tort, or any other legal theory. In no such event shall IBI Scientific be liable for damages which exceed the purchase price of any products.

For further assistance please contact IBI Scientific Technical Service at (800) 253-4942, (563) 690-0484 or visit us on the web at www.ibisci.com.

