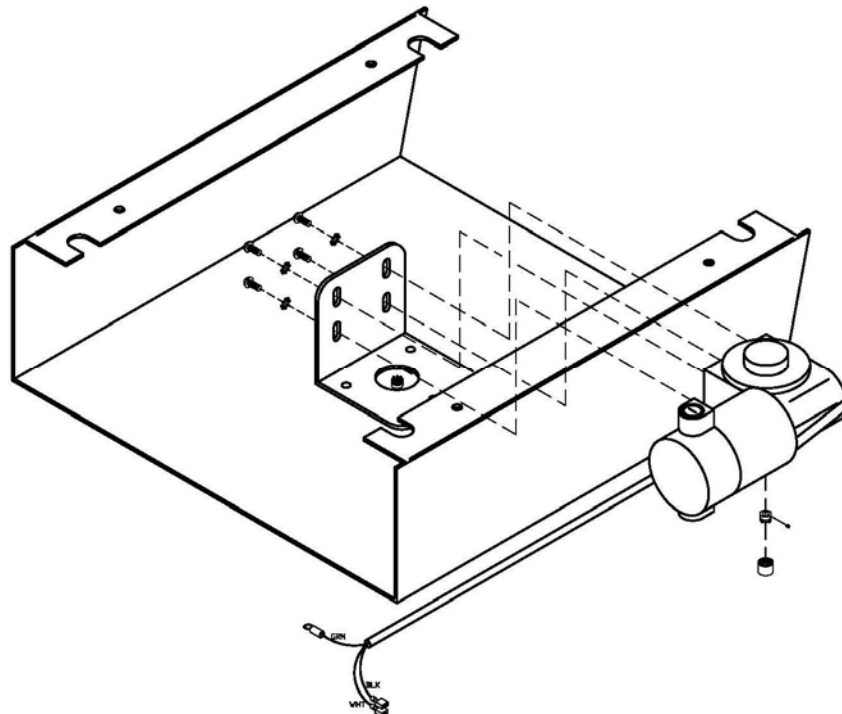




COMMT0002 – Replacement BDR Motor Installation

Important! – Prior to starting project, ensure unit is unplugged from electrical source.

- 1.) First on a flat surface, flip unit over onto its acrylic top. Using a phillips screw driver loosen the (4) screws holding the top cover to the base. They are located approximately 1” inward from the side of the unit. Remove these (4) screws and set aside to assemble later.
- 2.) Now that the screws are removed, while holding the top cover and base of the unit together; flip the unit back onto its base. Position the unit so the front of the unit is faces you.
- 3.) Next, carefully lift the top cover assembly off the base. This usually works best if you lift the rear of the unit slightly higher, then slide the top assembly back as you lift it. This will free the sheet metal from its connection. Carefully remove the top assembly, rotate onto its side, and place next to the base assembly.
- 4.) Release the tab that holds the motor cable in place (by the PC Board) and remove the motor cable from it.
- 5.) Next, using (2) sets of pliers or equivalent disconnect the male-to-female wire connections from the motor cable to the wire harness. Use caution not to damage the terminals that are connected to the wire harness, they will need to be reconnected to the new motor.





IBI SCIENTIFIC

9861 Kapp Court Peosta, IA 52068

Tele: (563) 690-0484 **Toll Free:** 1-800-253-4942

Fax: (563) 690-0490 **E-Mail:** info@ibisci.com

Web: www.ibisci.com

ISO 9001:2008 Certified

- 6.) Now using a nut driver or equivalent remove the nut and washer from the ground stud holding the motor ground terminal. This is located near the rear of the unit, near the power entry module.
- 7.) The top assembly will now be free from the base assembly. Slide the base assembly off to the side; it will not be needed for a short time. Flip the top assembly back onto its top to allow access to the motor and motor bracket.
- 8.) Using an allen wrench, loosen the (4) screws holding the motor to the motor bracket. As the screws are removed, support the motor with your other hand to prevent it from falling down and binding. Once the (4) screws have been removed, lift the motor straight up and disengage from the motor coupler. Remove the motor and discard (or send back to IBI depending on issue). If the black motor coupler is still attached to the drive gear in the unit, that will also need to be removed because a new coupler is supplied with your replacement motor.
- 9.) Unpack your new replacement motor assembly and ensure the black motor coupler is still assembled to the end of the motor shaft assembly. If it became detached, replace the couple on the gear assembly located at the end of the motor shaft.
- 10.) Place the motor assembly into the top assembly just as the old motor was removed. Align the motor coupler with the gear from the drive shaft in the unit. Once the motor coupler is aligned properly rotate the motor toward the motor bracket and align the screw holes. Install the (4) screws through the bracket into the motor and tighten using an allen wrench.
- 11.) Rotate the top assembly onto its side and place next to the base assembly. The motor should be facing the base assembly. Connect the motor wires to the terminals from the wire harness located in the base assembly (white-to-white and black-to-black). Ensure the terminals are fully engaged into one another for proper connection. Now place the ring terminal onto the ground stud and replace washer and nut. Hold the ring terminal and tighten nut.
- 12.) Next route the motor cable into the wire clip and fasten shut. This will hold the motor cable clear of the drive assembly while the motor is running.
- 13.) Now take the top cover assembly and replace it onto the base assembly. When assembling, tip the front of the unit down slightly and slide into case, then lower the rear of the case down and align with the bottom assembly.
- 14.) Holding the upper and lower assemblies together so they do not slide apart, flip unit over and place on top. Align the holes of the top and bottom assemblies, replace (4) screws and tighten.
- 15.) Reconnect unit's power cord to input entry module and standard power source. Turn control dial on front of unit and ensure unit will now function properly.