



# ADDINGTON CO MODULAR SHELF SYSTEM.

## SINGLE SHELF, OPEN WHITE

Care Guide: Avoid damp locations, to clean use a dry, or lightly damp cloth. Do not use harsh cleaning products. Assemble on a soft clean surface. Have a question? Call the designer directly 612.695.0203

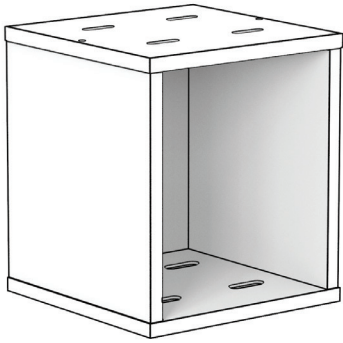


Scan for Animated Instructions

Nº A6001211

### PART LIST

[WWW.ADDINGTONCO.COM](http://WWW.ADDINGTONCO.COM)



 4x Bolt M6 x 25mm



1x Allen Key

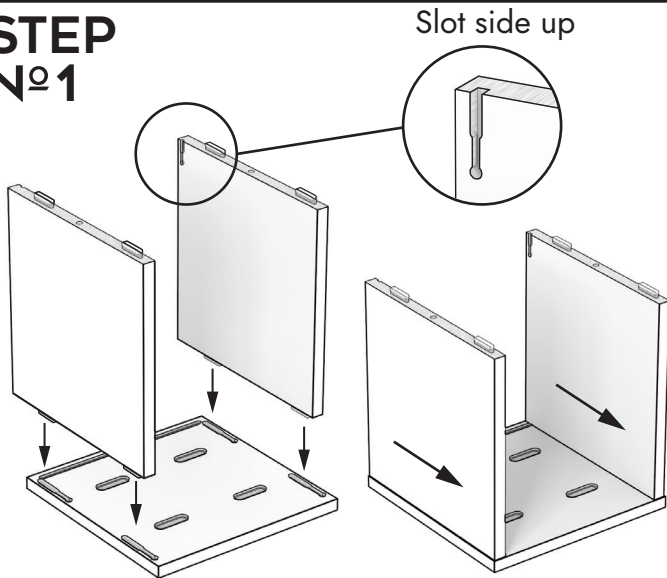
 4x Nut M6



pre-installed  
channel locks

 2x Lock Button

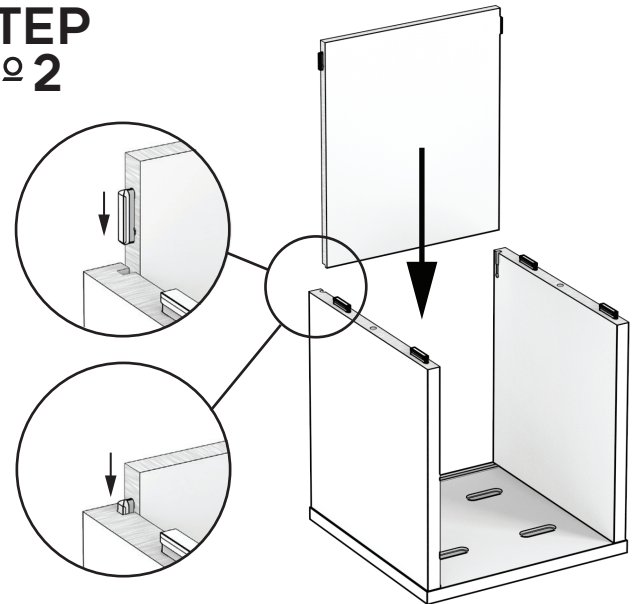
### STEP Nº1



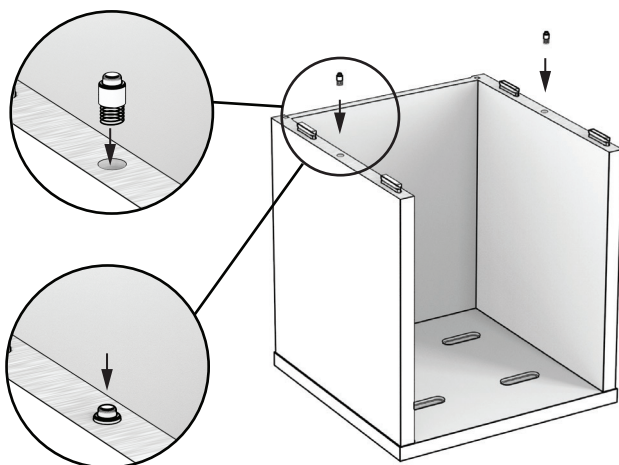
Insert channel locks into  
keyhole slots

Slide to lock

### STEP Nº2

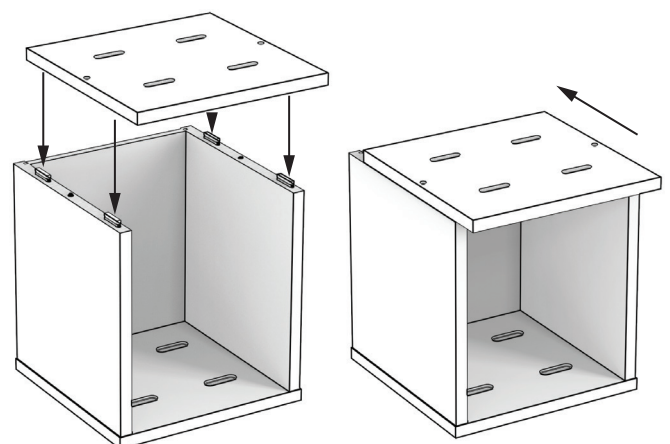


### STEP Nº3



Install Lock Buttons

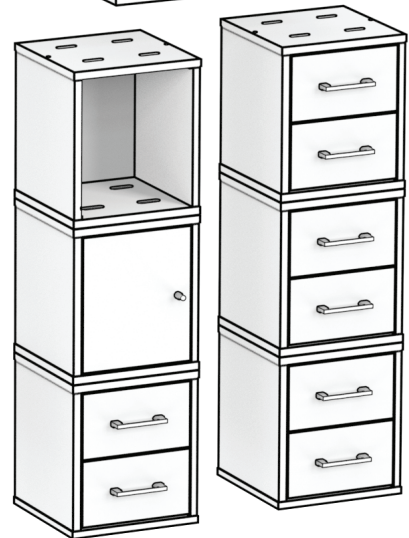
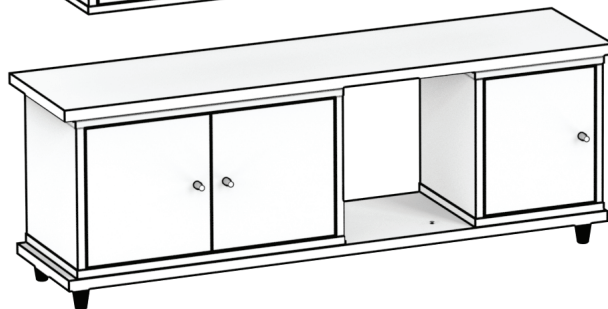
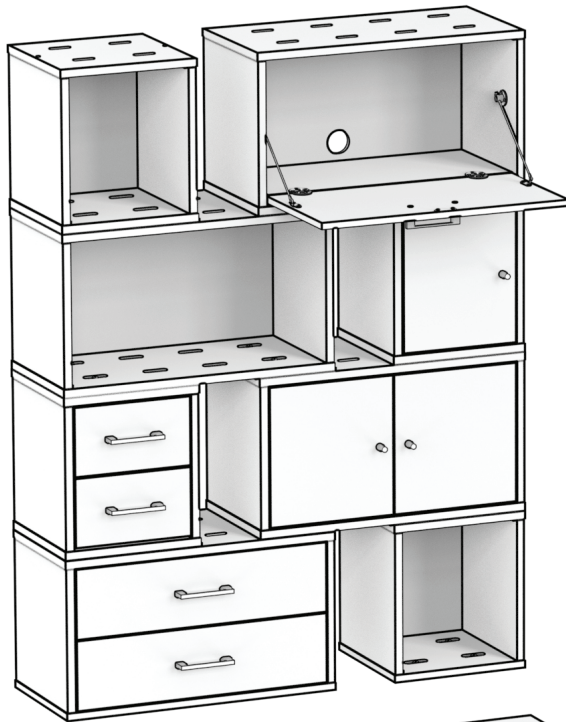
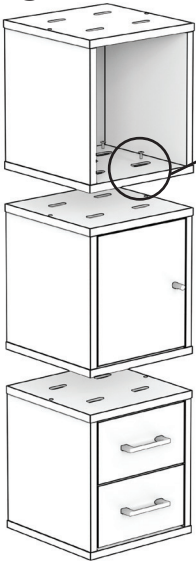
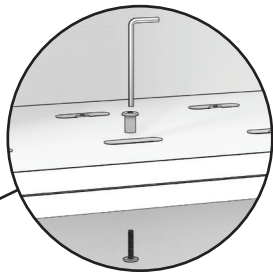
### STEP Nº4



Place top panel onto channel locks and  
slide top into position.

# STEP Nº 5

Assemble multiple units to create custom furniture.



## ASSEMBLY EXAMPLES

## THE END



**WARNING:** This product can expose you to chemicals including: Wood Dust, and Formaldehyde which is [are] known to the State of California to cause cancer or birth defects or other reproductive harm. For more information go to [www.P65Warnings.ca.gov/furniture](http://www.P65Warnings.ca.gov/furniture). Visit [www.addingtonco.com/pages/sustainability-and-health](http://www.addingtonco.com/pages/sustainability-and-health) for more details.