



# ADDINGTON CO MODULAR SHELF SYSTEM.

## SINGLE SHELF, DRAWERS WHITE



Scan for Animated Instructions

Care Guide: Avoid damp locations, to clean use a dry, or lightly damp cloth. Do not use harsh cleaning products. Assembly on a soft clean surface. Have a question? Call the designer directly 612.695.0203

Nº A6202211

### PART LIST

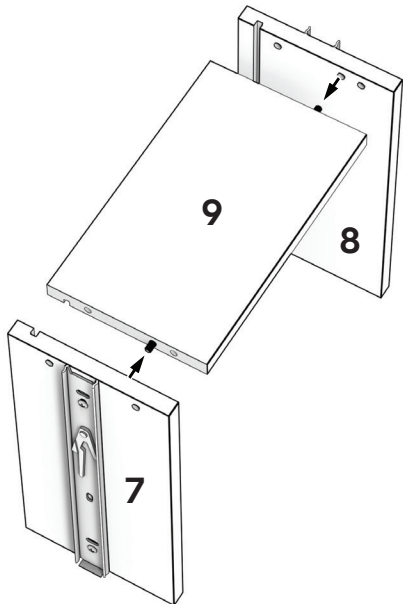
[WWW.ADDINGTONCO.COM](http://WWW.ADDINGTONCO.COM)



- 4x Bolt M6 x 25mm
- 4x Nut M6
- 1x Allen Key
- 2x Lock Button
- 4x Panel Fastener

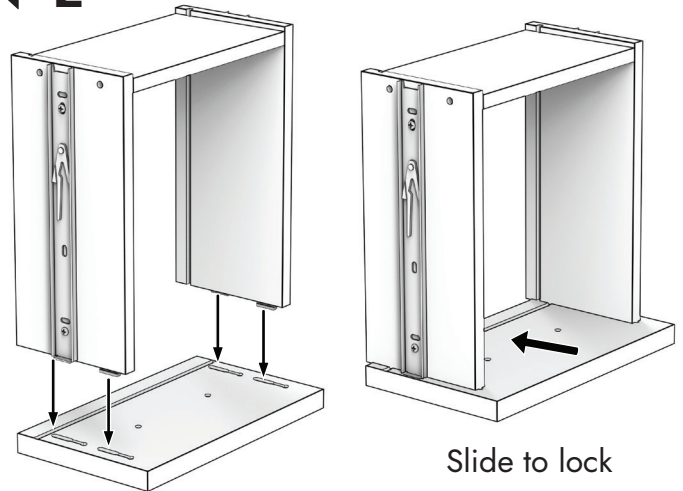
- 2x Metal Pulls and screws.
- 2x Leather Pulls and screws (your choice)
- pre-installed channel locks
- Bring your own mallet.

### STEP Nº1



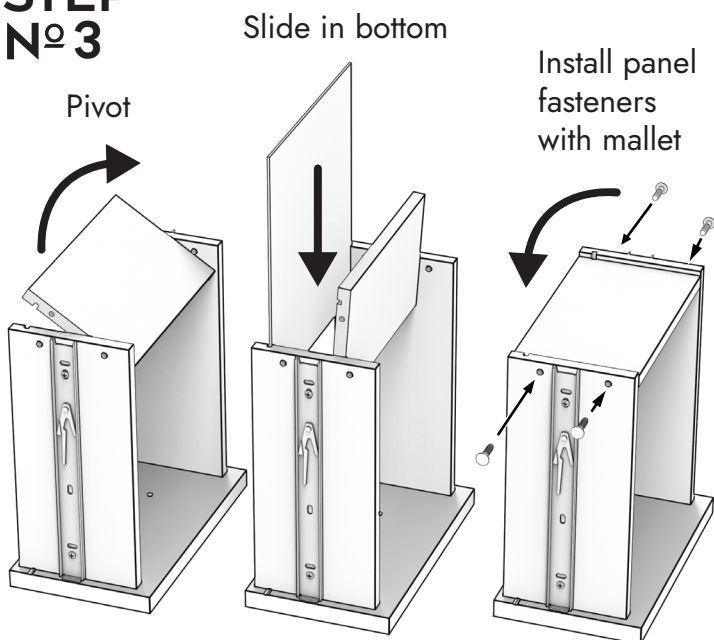
Assemble drawer back

### STEP Nº2

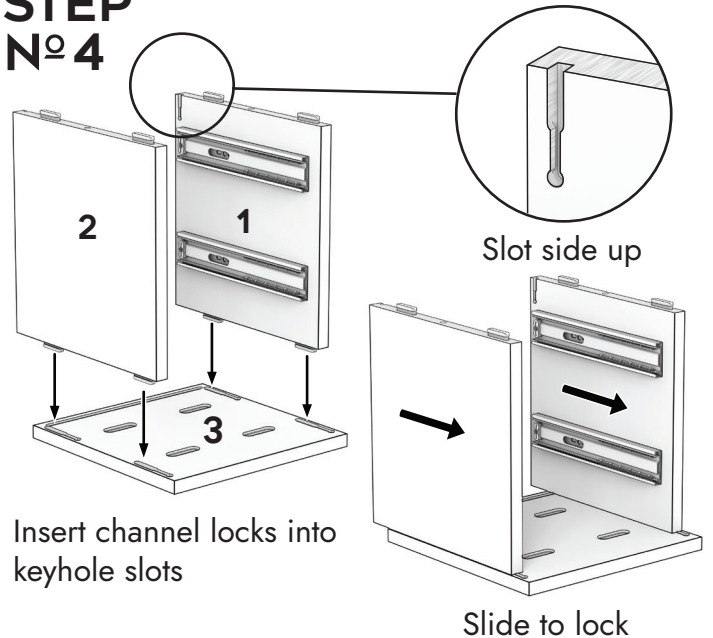


Insert channel locks into keyhole slots

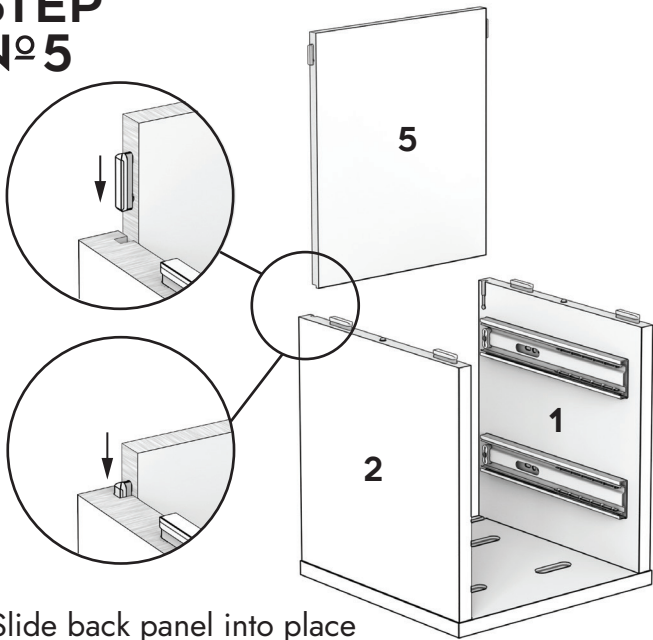
### STEP Nº3



### STEP Nº4

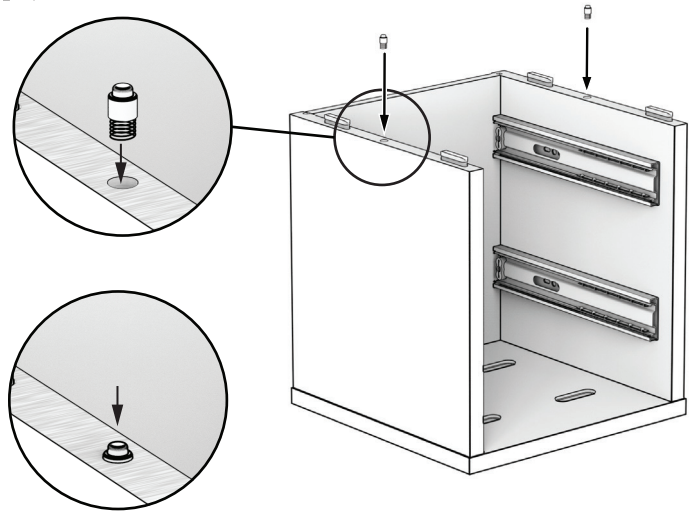


## STEP Nº5



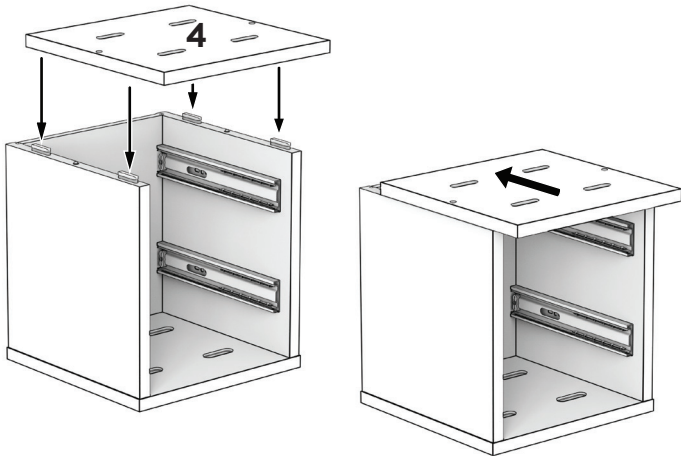
Slide back panel into place

## STEP Nº6



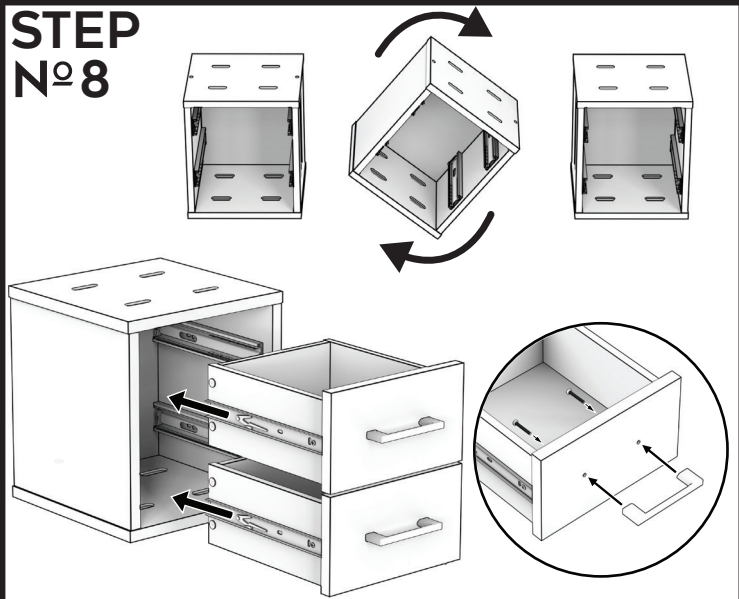
Install Lock Buttons

## STEP Nº7



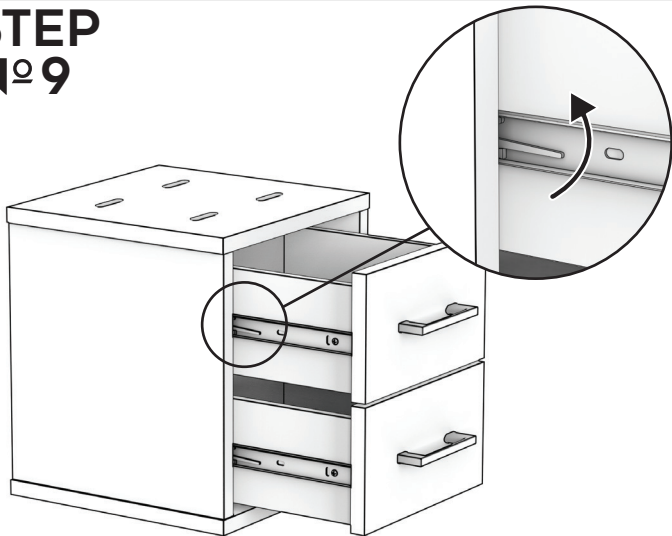
Place top panel onto channel locks and slide top into position.

## STEP Nº8

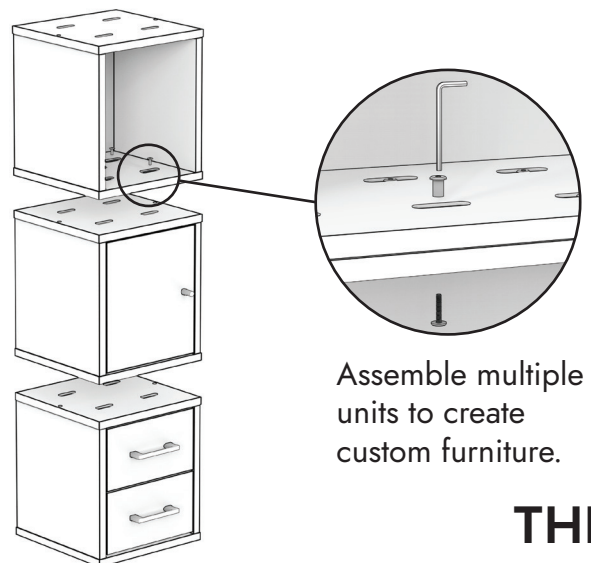


Flip unit over and install drawers and drawer handles.

## STEP Nº9



To remove drawers swing small lever catch and pull out.



Assemble multiple units to create custom furniture.

# THE END



**WARNING:** This product can expose you to chemicals including [name of one or more chemicals known to cause cancer, name of one or more chemicals known to cause reproductive toxicity, or name of one or more chemicals known to cause both cancer and birth defects or other reproductive harm], which is [are] known to the State of California to cause cancer or birth defects or other reproductive harm. For more information go to [www.P65Warnings.ca.gov/furniture](http://www.P65Warnings.ca.gov/furniture).