



ADDINGTON CO MODULAR SHELF SYSTEM.

DOUBLE SHELF, OPEN-DOWN DESK WHITE

Care Guide: Avoid damp locations, to clean use a dry, or lightly damp cloth. Do not use harsh cleaning products. Assembly on a soft clean surface. Have a question? Call the designer directly 612.695.0203

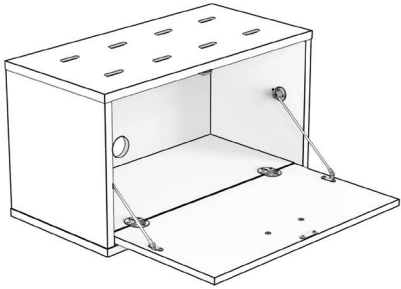












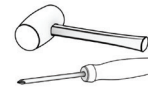
Scan for Animated Instructions

Nº A6302211

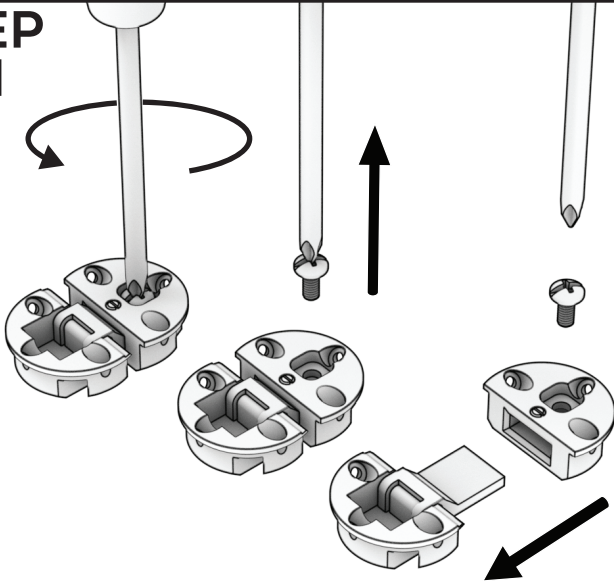
PART LIST

ADDINGTONCO.COM



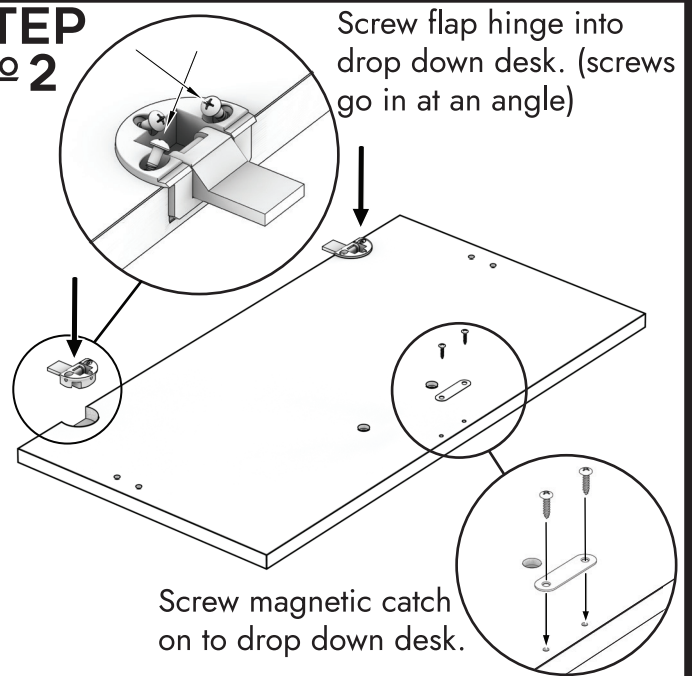
-  8x Bolt M6 x 25mm
-  8x Nut M6
-  1x Allen Key
-  2x Lock Button
-  1x Magnetic catch
-  pre-installed Channel Locks
-  1x Metal Pulls and screws.
-  1x Leather Pulls and screws (your choice)
-  2x flap hinges
-  2x Lid stays
-  Bring your own mallet and screw driver.

STEP Nº1



Unscrew bolt and disassemble flap hinge.

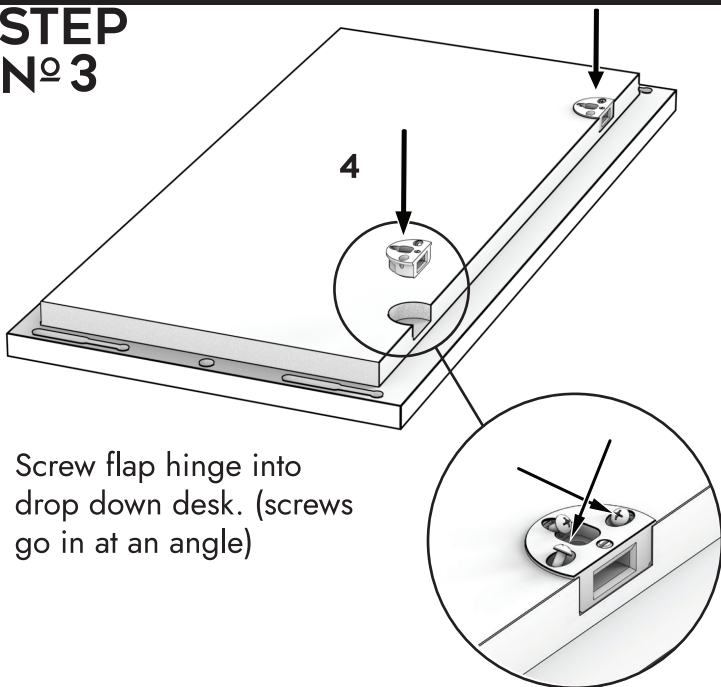
STEP Nº2



Screw flap hinge into drop down desk. (screws go in at an angle)

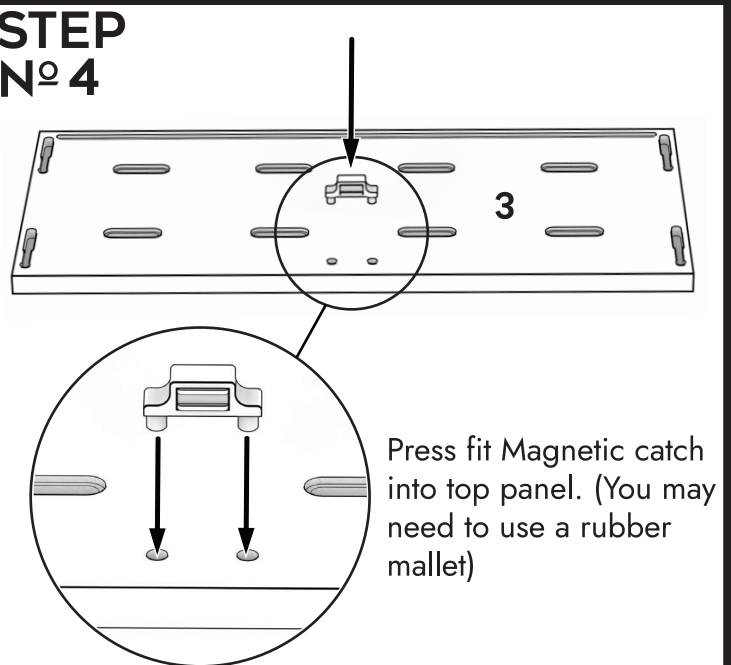
Screw magnetic catch on to drop down desk.

STEP Nº3



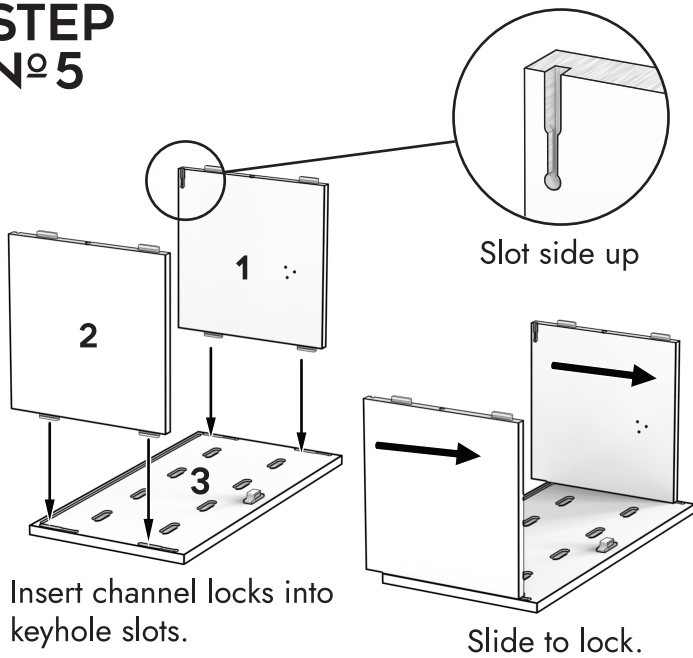
Screw flap hinge into drop down desk. (screws go in at an angle)

STEP Nº4



Press fit Magnetic catch into top panel. (You may need to use a rubber mallet)

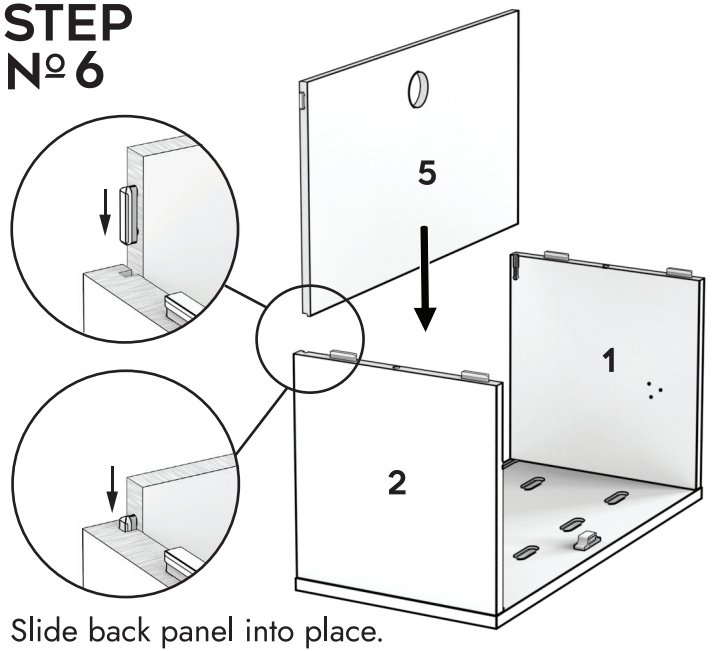
STEP Nº5



Insert channel locks into keyhole slots.

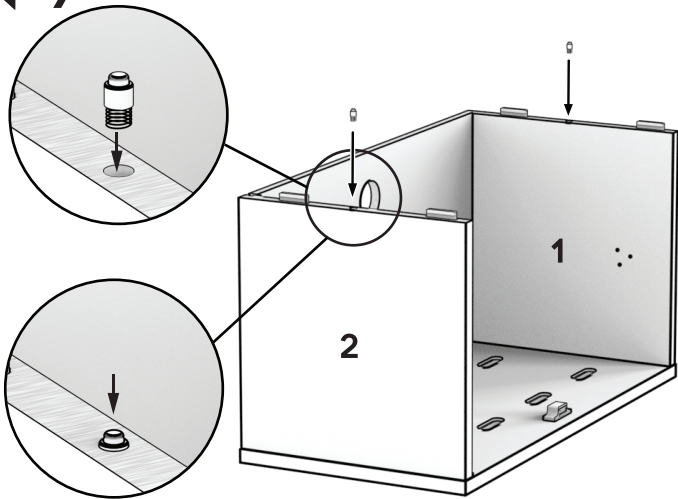
Slide to lock.

STEP Nº6



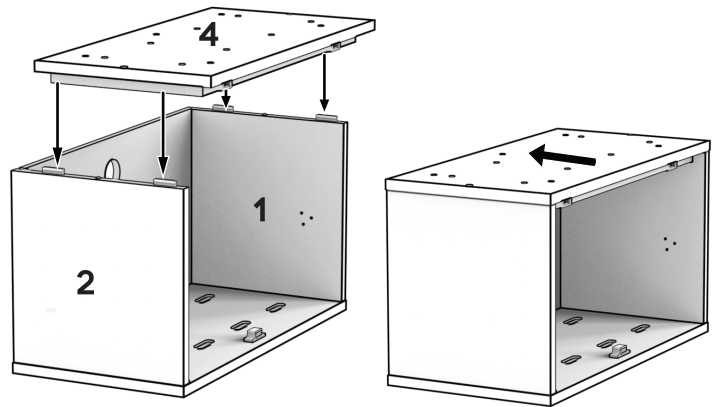
Slide back panel into place.

STEP Nº7



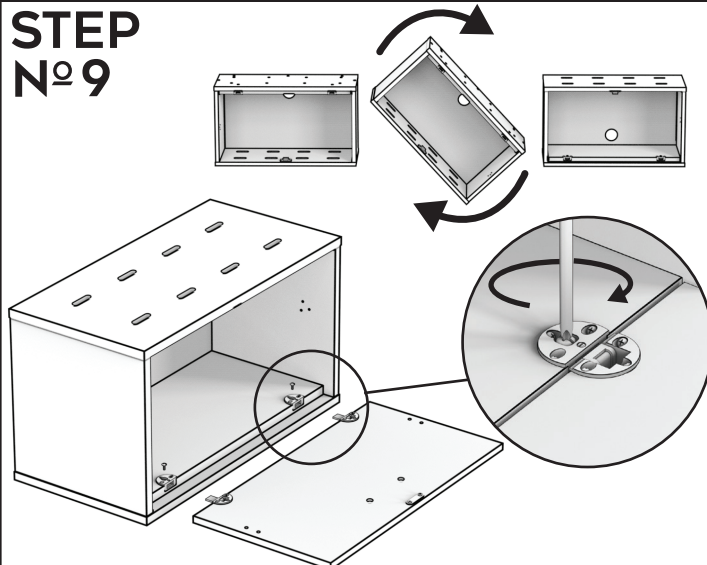
Install Lock Buttons.

STEP Nº8



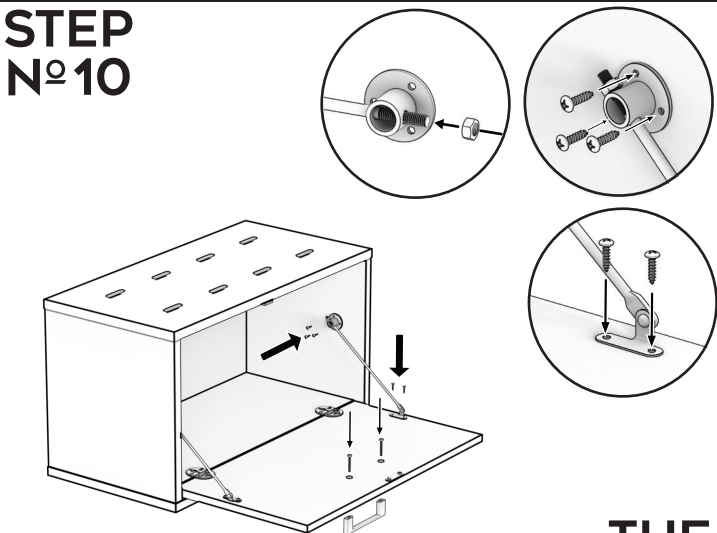
Place top panel onto channel locks and slide top into position.

STEP Nº9




Flip unit over. Insert hinge tab into hing base and re-install bolt.

STEP Nº10



Assembly lid stay. Screw lid stay bases to sides and drop down desk. Install handle.

**THE
END**

 **WARNING:** This product can expose you to chemicals including [name of one or more chemicals known to cause cancer, name of one or more chemicals known to cause reproductive toxicity, or name of one or more chemicals known to cause both cancer and birth defects or other reproductive harm], which is [are] known to the State of California to cause cancer or birth defects or other reproductive harm. For more information go to www.P65Warnings.ca.gov/furniture.