



ADDINGTON CO MODULAR SHELF SYSTEM.

DOUBLE SHELF, DRAWERS WHITE

Care Guide: Avoid damp locations, to clean use a dry, or lightly damp cloth. Do not use harsh cleaning products. Assembly on a soft clean surface. Have a question? Call the designer directly 612.695.0203

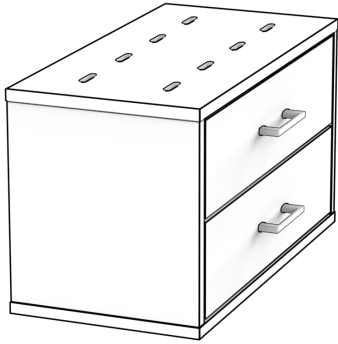


Scan for Animated Instructions

Nº A6202211

PART LIST

ADDINGTONCO.COM

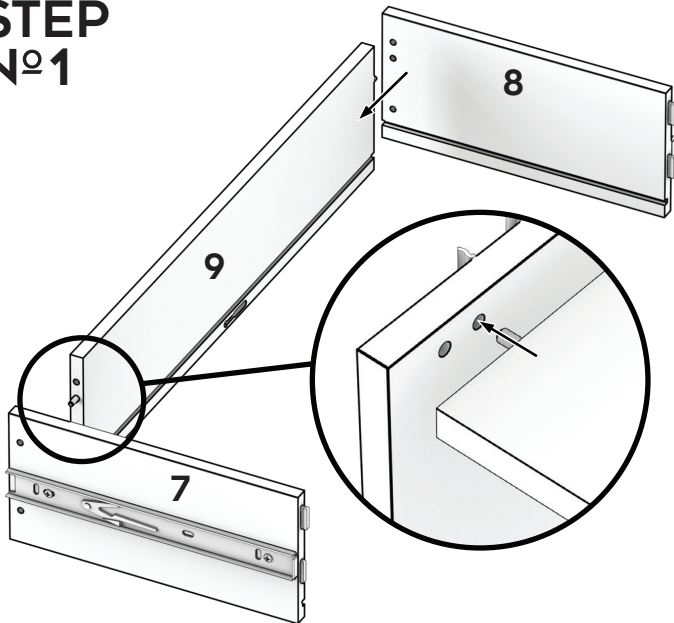


- 4x Bolt M6 x 25mm
- 4x Nut M6
- 1x Allen Key
- 2x Lock Button
- 4x Panel Fastener
- pre-installed channel locks

- 2x Metal Pulls and screws.
- 2x Leather Pulls and screws (your choice)

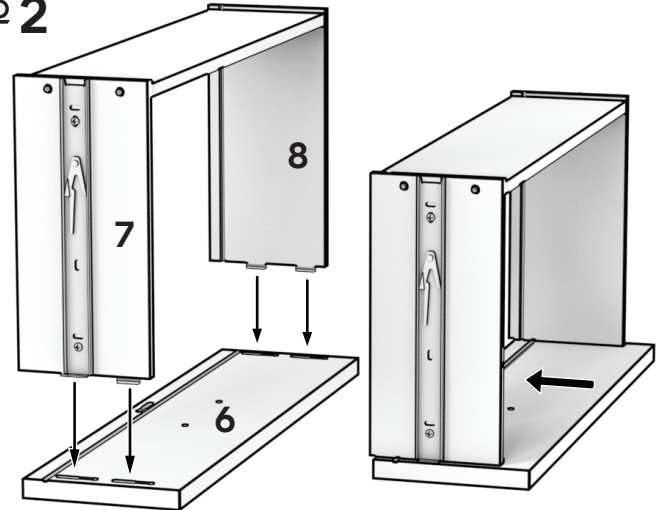
Bring your own mallet.

STEP Nº1



Assemble drawer back.

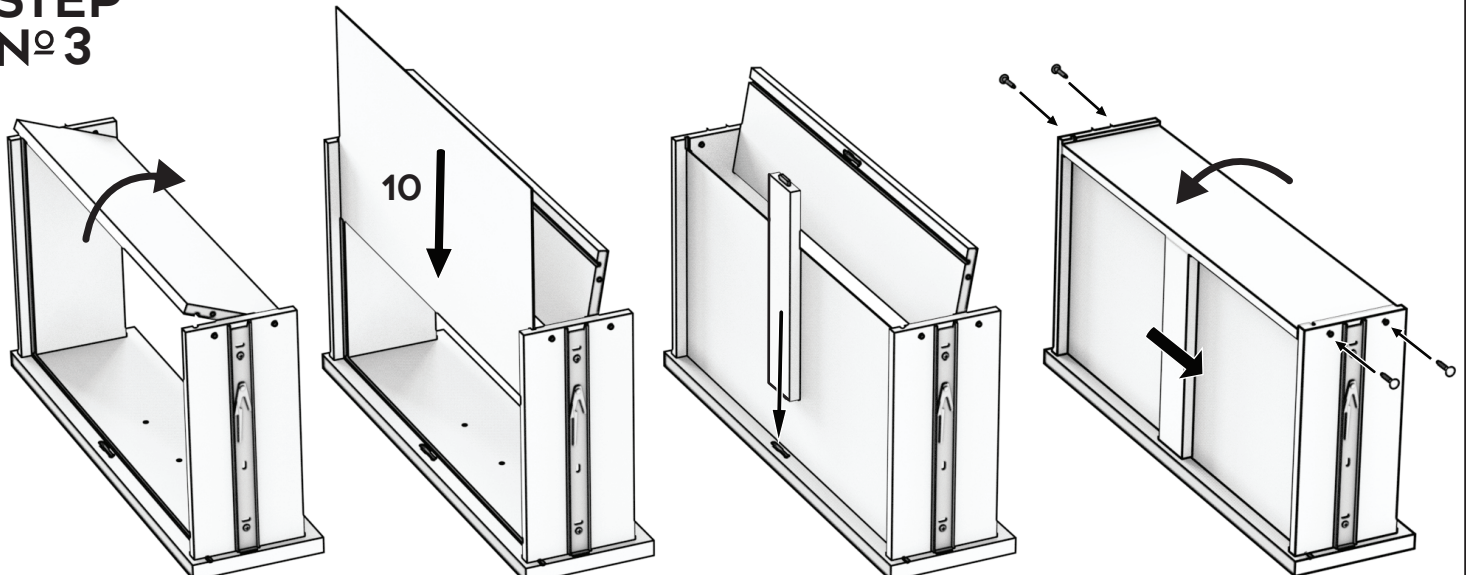
STEP Nº2



Insert channel locks into keyhole slots.

Slide to lock.

STEP Nº3



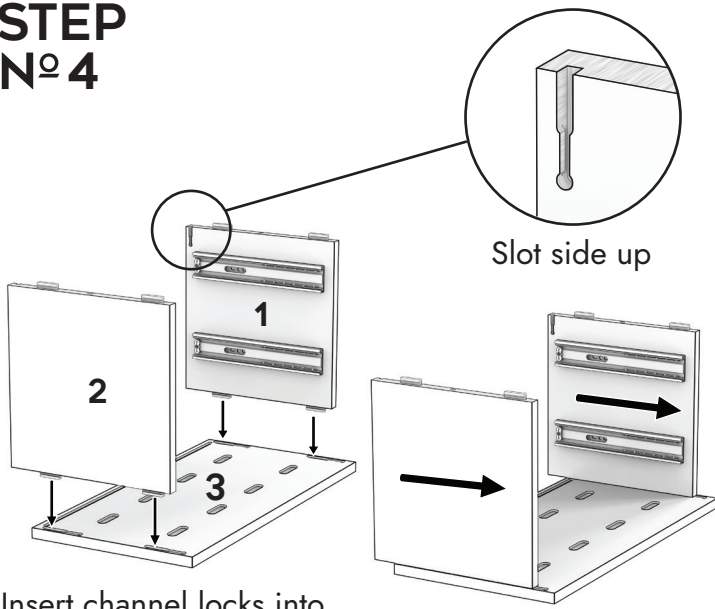
Pivot back panel.

Slide in bottom.

Slide in bottom support.

Slide to lock support. Install panel fasteners with mallet.

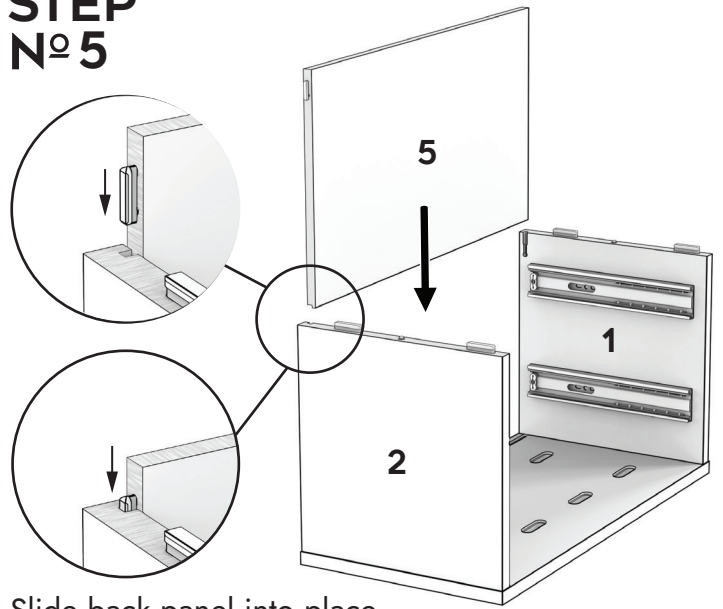
STEP Nº 4



Insert channel locks into keyhole slots.

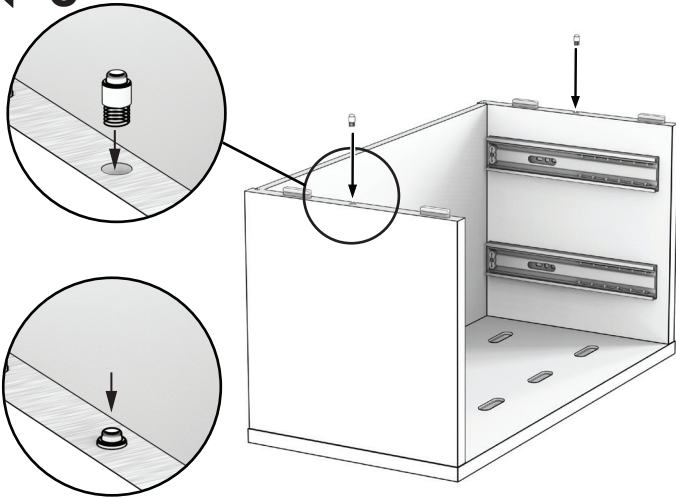
Slide to lock.

STEP Nº 5



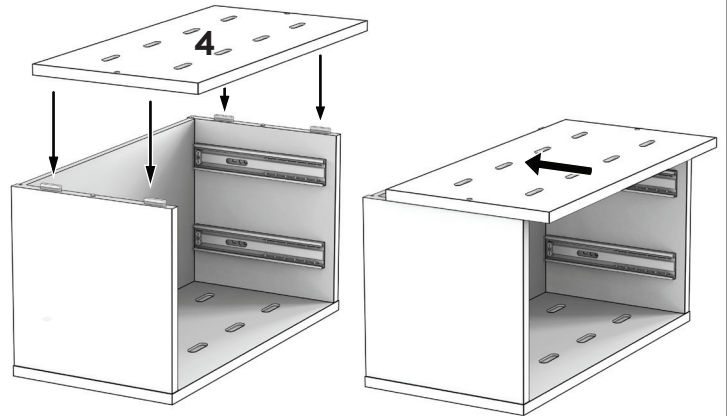
Slide back panel into place.

STEP Nº 6



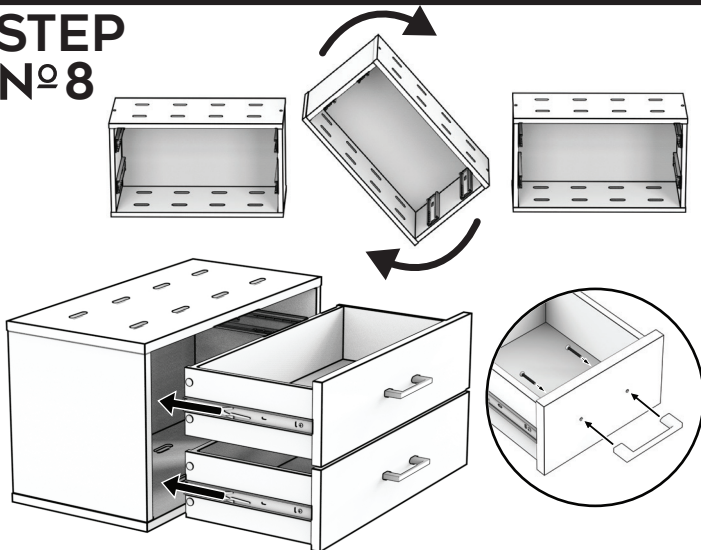
Install Lock Buttons.

STEP Nº 7

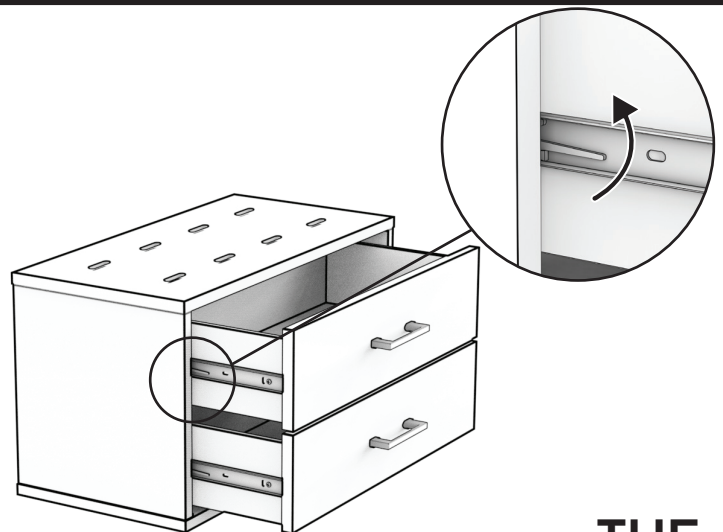


Place top panel onto channel locks and slide top into position.

STEP Nº 8



Flip unit over and install drawers and drawer handles.



To remove drawers swing small lever catch and pull out.

THE END



WARNING: This product can expose you to chemicals including [name of one or more chemicals known to cause cancer, name of one or more chemicals known to cause reproductive toxicity, or name of one or more chemicals known to cause both cancer and birth defects or other reproductive harm], which is [are] known to the State of California to cause cancer or birth defects or other reproductive harm. For more information go to www.P65Warnings.ca.gov/furniture.