



ADDINGTON CO MODULAR SHELF SYSTEM.

DOUBLE SHELF, CABINET DOORS WHITE



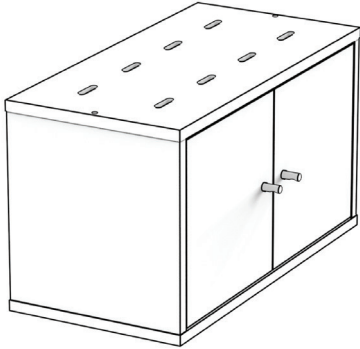
Scan for Animated Instructions

Care Guide: Avoid damp locations, to clean use a dry, or lightly damp cloth. Do not use harsh cleaning products. Assembly on a soft clean surface. Have a question? Call the designer directly 612.695.0203

Nº A6102211

PART LIST

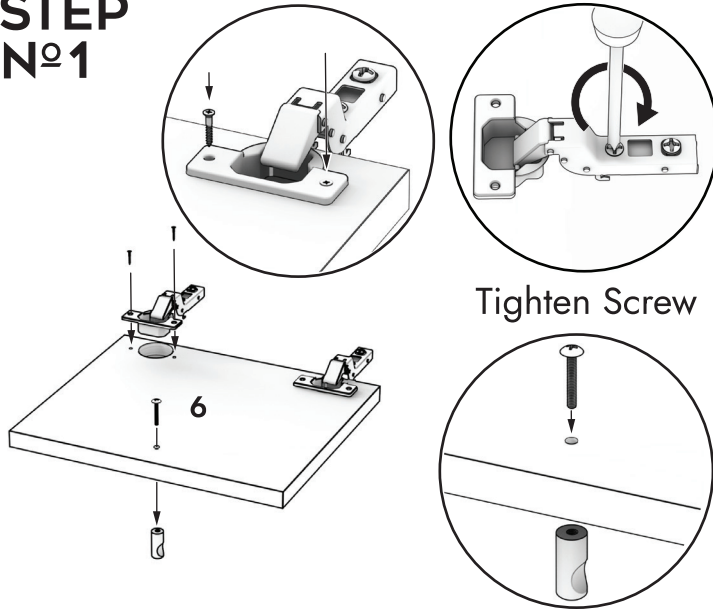
WWW.ADDINGTONCO.COM



- 8x Bolt M6 x 25mm
- 8x Nut M6
- 1x Allen Key
- 2x Lock Button
- Door stop and 16mm Screw

- 4x hinge sets
- 16x 14mm screws
- 4x Metal Pulls
- 2x Leather Pulls and screws (your choice)
- pre-installed channel locks

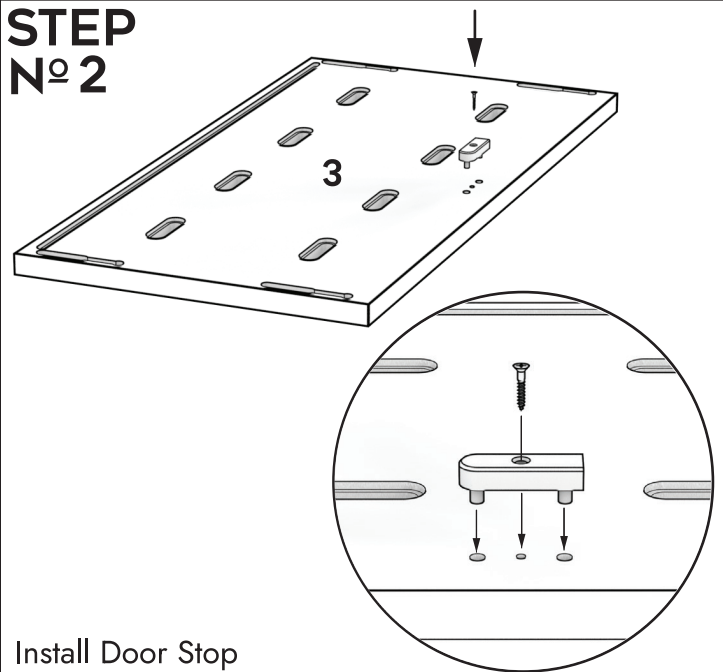
STEP Nº1



Install hinges on doors

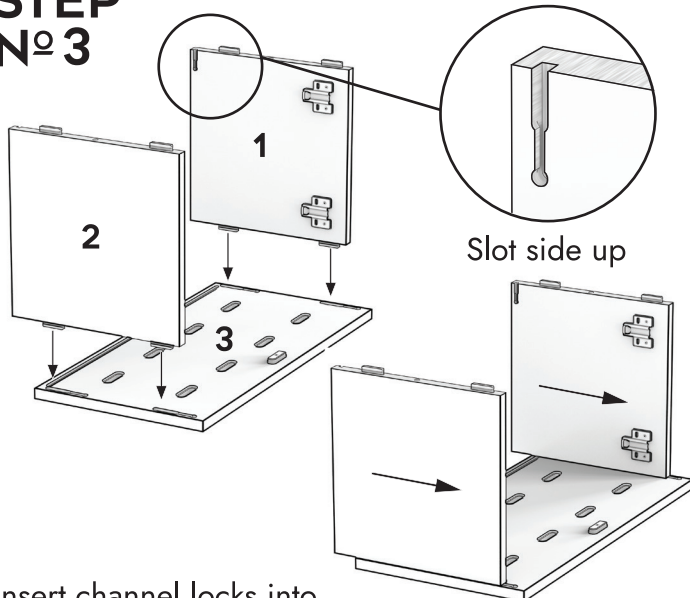
X2

STEP Nº2



Install Door Stop

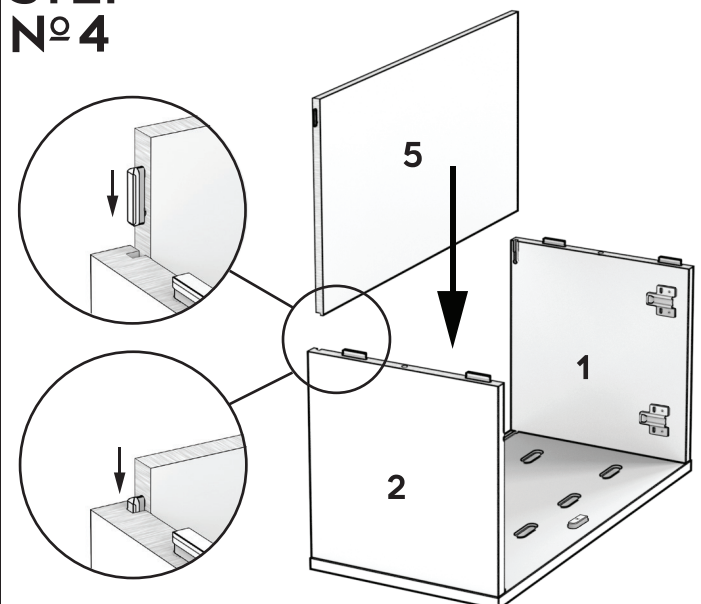
STEP Nº3



Insert channel locks into keyhole slots.

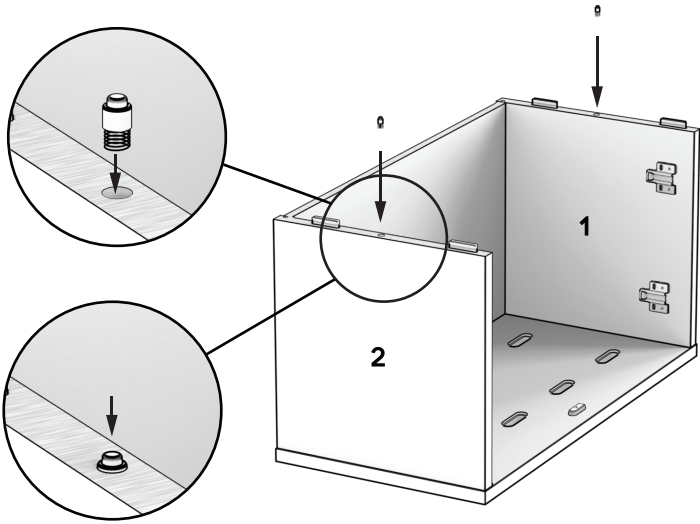
Slide to lock.

STEP Nº4



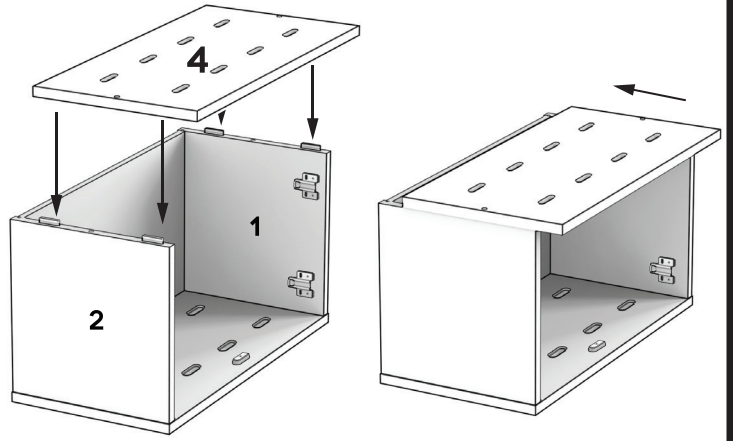
Slide back panel into place

STEP Nº5



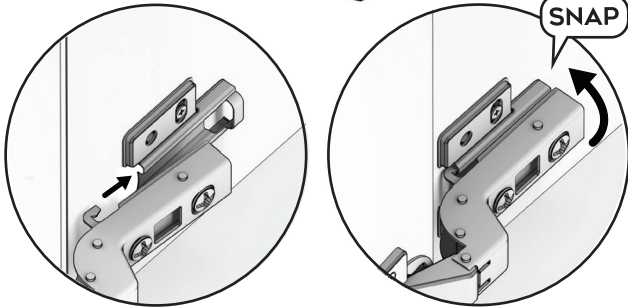
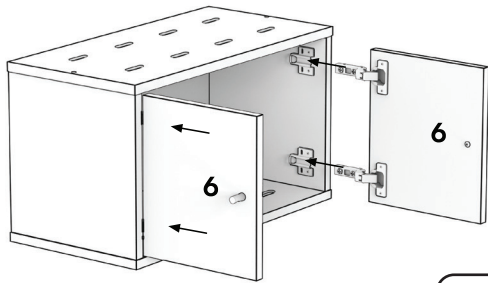
Install Lock Buttons

STEP Nº6



Place top panel onto channel locks and slide top into position.

STEP Nº7



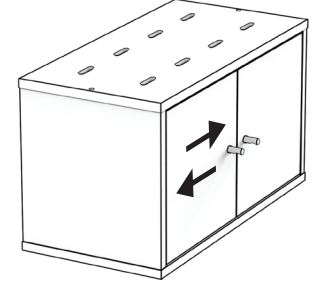
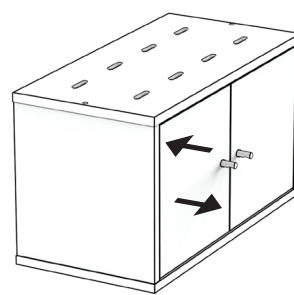
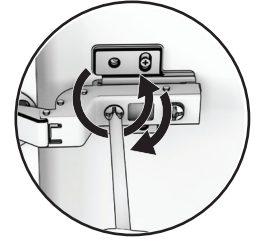
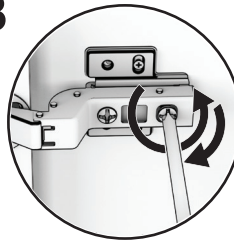
Hook

Clip

X2

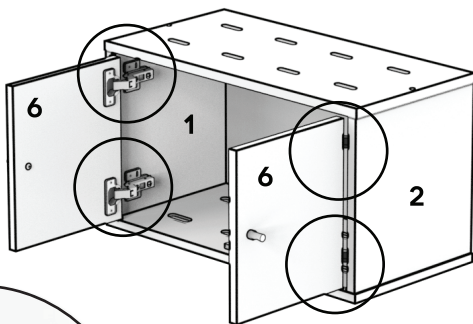
Install doors

STEP Nº8

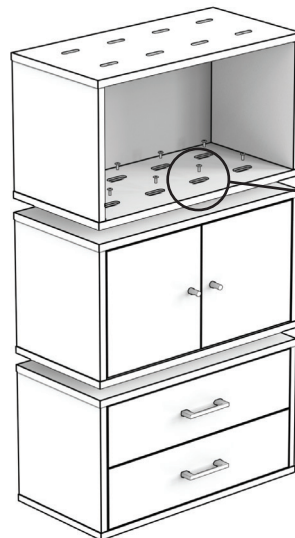


Fine Tune door position

STEP Nº9



Install final hinge screws



Assemble multiple units to create custom furniture.

THE END



WARNING: This product can expose you to chemicals including [name of one or more chemicals known to cause cancer, name of one or more chemicals known to cause reproductive toxicity, or name of one or more chemicals known to cause both cancer and birth defects or other reproductive harm], which is [are] known to the State of California to cause cancer or birth defects or other reproductive harm. For more information go to www.P65Warnings.ca.gov/furniture.