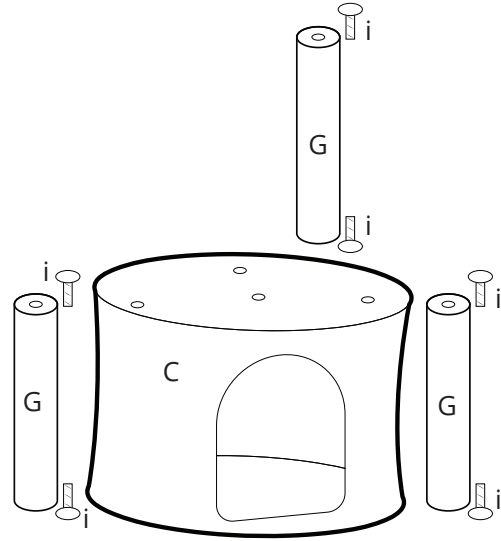


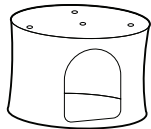

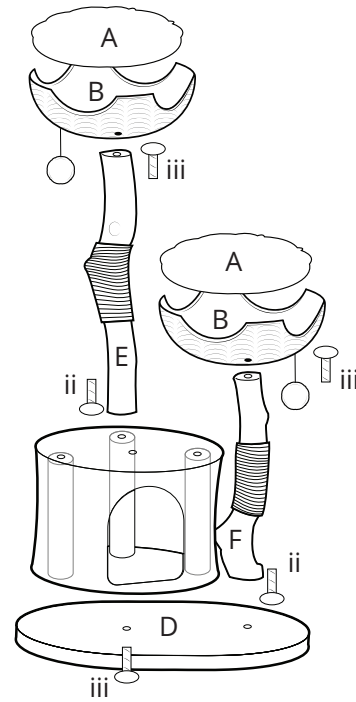


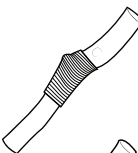
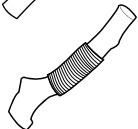

1



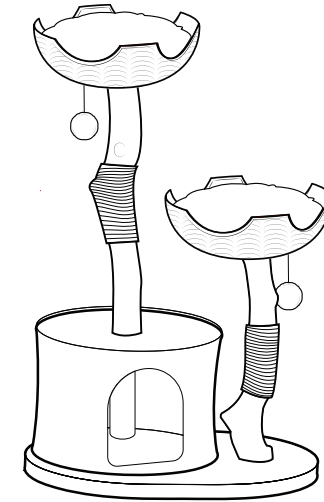
- A** 2x  42cm
- B** 2x  45cm
- C** 1x  L40*H36cm
- D** 1x  60*46*3cm




2

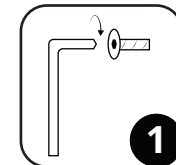


- E** 1x  50-55cm
- F** 1x  55-60 cm
- G** 3x  31.5cm

3



- i.** 6x  D8*40mm
- ii.** 2x  D10*50mm
- iii.** 3x  D10*40mm



Assembling “The Bungalow” Cat Tree

1. Assemble the Cat House.
 - a. Gather parts C (x1), G (x3), and i (x6).
 - b. Open the Cat House (C).
 - c. Place 1x Structure Post (G) in the back of the cat house.
 - d. Then place a bolt (i) through the top and bottom of the Cat House (C) and into the Structure Post (G).
Repeat this step for the remaining two (2) Structure Posts.

2. Assemble the Trunks and Baskets.
 - a. Attach Trunk (F) to the Base (D) with one bolt (ii) using the hole that is closer to the edge of the Base (D).
 - b. Align the center hole of the bottom of the Cat House (C) to the center hole of the Base (D). Attach the Cat House (C) to the Base (D), and make sure the opening of the Cat House (C) is facing forward.
 - c. Attach Trunk (E) to the top of the Cat House (C) with one bolt (ii).
 - d. Attach the Baskets (B) to the top of both Trunks (E & F) with bolts (iii).
 - e. Place Cushions (A) into Baskets (B).

3. Let your cat enjoy their new Bungalow lounge!