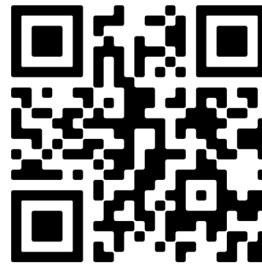


VZN-520H



VZN-540H

Residential Water Filtration Owner's Manual

Original Instructions

Manufacturing Numbers:

9720002

9720007



System Tested and Certified by NSF
International against NSF/ANSI
Standard 42 and 53 for the reduction of:

Standard No. 42: Aesthetic Effects
Nominal Particulate Reduction Class I

Standard No. 53: Health Effects
Cyst Reduction & Turbidity Reduction as
verified and substantiated by test data.

RESIDENTIAL VZN

Contents

Introduction	2
Before Use	2
In Case of Damage	2
Service/Technical Assistance	2
Safety Information	3
Installation	3
Operation	3
Maintenance	3
Service	3
Safety Information (Continued)	4
Specifications	5
Performance Data Sheet	6
Filter Cartridge Capacities	6
Performance Claims	6
Overview	7
Manual Flushing	7
Unpacking	8
Equipment Setup	8
General	8
Electrical	8
Plumbing	8
Installation Tools and Supplies	8
Installation	9
Mounting the System	9
Alternative Vertical Mounting	9
Drain Valve Connection	10
System Inlet Connection	11
Permeate Outlet Connection	11
Inlet Water Plumbing	11
Installing a Bypass	12
Starting the Controller	12
Rinsing the UltraFilter Cartridge	12
Sanitizing the System and Lines	13
Maintenance	14
Replacing the UltraFilter Cartridge	14
Changing the Interval Setting	15
Resetting the Timer Program	15
Semi-Annual Task	15
Permeate Tank Air Pre-Charge	15
Troubleshooting	16
Replacement Parts	17
Parts List	17
Exploded View	18
Notes	19
Limited Warranty	20

Introduction

The VZN system is an innovative filtration system that uses proprietary multi-bore hollow fiber membranes as well as a carbon element to provide the latest innovation in filtration technology.

Before Use

This manual provides the safety, installation, and operating procedures for the VZN water filtration system. All information contained in this manual should be read prior to installing and operating the system. Your VZN system is manufactured from the finest materials available and is assembled to strict quality standards. This system has been tested at the factory to ensure dependable trouble-free operation.

In Case of Damage

If the unit arrives damaged, contact Antunes Customer Service at +1-877-392-7856. Save all packing materials when filing a claim.

IMPORTANT

Antunes reserves the right to change specifications and product design without notice. Such revisions DO NOT entitle the buyer to corresponding changes, improvements, additions or replacements for previously purchased equipment.

IMPORTANT

Keep these instructions for future reference. If the system changes ownership, be sure this manual accompanies the equipment.

Service/Technical Assistance

If there are any problems with the installation or operation of the unit, contact Antunes Technical Service at +1-877-392-7854 (toll free).

Fill in this information and have it handy when calling for assistance. The serial number is on the specification plate located on the unit.

Purchased from

Date of purchase

Model number

Serial number

Manufacturing number

Suggested replacement period for the UltraFilter Cartridge is 3 years (dependent on water quality).

For sales in the state of Iowa:

Seller

Date

Buyer

Date

Safety Information

Installation

- Read and understand all instructions before installing or using the unit.
- Install and locate the equipment only for its intended use as described in this manual.
- This equipment is to be installed to comply with the local plumbing code and any other applicable code.
- This equipment should be supplied with only cold water.
- Water pressure must not exceed 100 psig (690 kPa). To reduce water pressure, install a water pressure regulator and set to suit the application.
- The trans membrane pressure (inlet pressure minus the permeate water pressure) must not exceed 45 psi (310 kPa).
- A ground fault circuit interrupter (GFCI) must be installed on the circuit to this system.
- When installed on metallic plumbing, a properly sized electrical bonding jumper must be installed across the inlet and outlet pipes serving this unit.
- For installations in Massachusetts, the Commonwealth of Massachusetts Plumbing Code 248 CMR shall be adhered to. The use of saddle valves are not permitted. Please consult your local plumber.

NOTE: If the inlet water pressure is less than 50 psig (345 kPa), it is recommended that a suitably-sized booster system (outlet pressure 60 psig - 100 psig max (414 kPa - 690 kPa max) be installed.



WARNING

ELECTRICAL SHOCK HAZARD.
Failure to follow the instructions in this manual could result in serious injury or death.

DO NOT modify the power supply cord plug. If it does not fit the outlet, have a proper outlet installed by a qualified electrician.

DO NOT use an extension cord with this unit.

If the supply cord is damaged, it must be replaced by the manufacturer, its service agent, or a similarly qualified person.

All electrical connections must be in accordance with local electrical codes and any other applicable codes.

Operation

- DO NOT operate the unit if it has been damaged or dropped, if it has a damaged cord or plug, or if it is not working properly.
- DO NOT block or cover any openings on the equipment.
- DO NOT immerse the cord, unit, or power plug in water.
- Keep the cord away from heated surfaces.

Maintenance

- DO NOT use corrosive chemicals in this equipment.
- DO NOT clean the unit with a water jet or steam cleaner.

Service

- Unplug the power cord before performing any service or maintenance on the unit.
- If the supply cord is damaged, it must be replaced by the manufacturer, its service agent, or a similarly qualified person in order to avoid an electrical hazard.
- This equipment should be serviced by qualified personnel only. Contact Antunes for repair.

RESIDENTIAL VZN

Safety Information (Continued)

Protect from becoming dry

If the membrane dries out, irreversible damage to the UltraFilter membrane may result. Protect the filter from becoming dry by keeping it wet and sealed at all times.

Protect from freezing

If the UltraFilter membrane freezes during operation or storage, irreversible damage to the membrane and brittle cracking of the cartridge or housing may result.

Protect from direct sunlight or other UV sources

Avoid long-term exposure to direct sunlight or other UV sources. The UltraFilter should be stored in a dark location.

Protect from high temperatures or abrupt variation in temperature

The maximum operating temperature is 100°F (38°C). Avoid abrupt variations in temperature. Any temperature variation should be made slowly.

Protect from rough handling or dropping

Mechanical damage, external breakage, and/or internal breakage of the filter can result if the system is dropped or bumped. Handle with care at all times during transportation and installation.

Protect from organic solvents and concentrated acids

Prevent any and all contact of the membrane with strong solvents, solvents containing chlorine, or concentrated acids. DO NOT use strong solvents or concentrated acids on any plastic parts of the filter system. Examples of some solvents to avoid: acetone, methyl acetate (nail polish remover); hexane (spot removers); turpentine, toluene (paint thinners); dry cleaning solutions, insecticides.

Protect from abrasive material

The membranes must be protected from abrasive materials like shavings left in a pipe. Abrasive materials in contact with the membrane can cause irreversible damage to the membrane. All pipes must be flushed clean before installing the filter. All plastic parts of the filter system must be protected from sharp objects like knives, sand paper, or other tools. Cutting or nicking a plastic part can weaken it and cause a leak. DO NOT use abrasive cleansers on any plastic parts.

Protect from water hammer

The system must be protected from shock, pressure surges, or pulsation that may occur inside water pipes. Water hammer occurs in pipes when a valve or faucet shuts quickly. Install a water hammer arrestor (pressure vessel containing compressed air separated from the water by a diaphragm) to reduce pressure shock.

Caution

This equipment is to be installed to comply with the basic plumbing code of the Building Officials and Code Administrators, Inc. (BOCA) and the Food Service Sanitation Manual of the Food and Drug Administration (FDA).

Caution

Water Flow Regulator Assemblies are NOT interchangeable. Operating the system with the wrong Water Flow Regulator or without a regulator can damage the system, cause personal injury, and voids the warranty!

Caution

All electrical connections must be in accordance with local electrical codes and any other applicable codes.

A ground fault circuit interrupter (GFCI) must be installed on the circuit to this system.

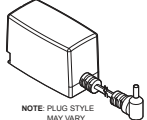
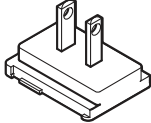
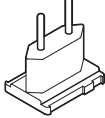
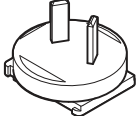
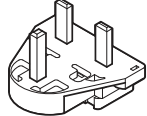
When installed on metallic plumbing, a properly sized electrical bonding jumper must be installed across the inlet and outlet pipes serving this unit.

Specifications

Model	System Dimensions		
	Width (A)	Depth (B)	Height (C)
VZN-520H	31" (79 cm)	9" (23 cm)	39" (99 cm)
VZN-540H	50" (127 cm)	9" (23 cm)	39" (99 cm)

Model	Drain must accommodate flow up to:
VZN-520H	8 gpm
VZN-540H	15 gpm

Model	Replacement Cartridges
	Ultrafilter
VZN-520H	7010003 20" UltraFilter Cartridge Kit
VZN-540H	7010002 40" UltraFilter Cartridge Kit

Electrical Ratings			
Volts	Watts	Amps	Hertz
100-240	10	.08	50/60
Electrical Cord & Plug Configurations			
Kit Model Number/ Description		Configuration	
Kit 0012146 DC Power Supply 100 - 240 VAC (Includes the 4 plug adaptors below)		 NOTE: PLUG STYLE MAY VARY	
US NEMA 1-15 (2 pin) or NEMA 5-15 (3 Pin)			
Euro CEE 7/16			
AS/NZS 3112 AUS (2 Pin)			
UK BS 1363			
NOTE: Includes plug adaptors for US, Europe, Australia, and UK.			

RESIDENTIAL VZN

Performance Data Sheet

Filter Cartridge Capacities

Maximum Operating Pressure	100 psig (690 kPa)
Maximum Operating Temperature	100°F (38°C)
Minimum Operating Temperature	40°F (4°C)
Maximum Trans Membrane Pressure	45 PSI (3.1 Bar)
pH Range	3-10
MWCO	100 kD
NSF Certified Rated Service Flow:	
VZN-520H	7.9 gpm (30 l/m)
VZN-540H	13 gpm (49 l/m)

Performance Claims for Percent Reduction

Substance	Influent Challenge Concentration	Reduction Requirement	Minimum % Reduction
cyst ¹	Minimum 50,000/L	99.95%	99.95%
Turbidity	11 ± 1 NTU	≤ 0.5 NTU	99.1%
Particulate Class I Particles 0.5 to < 1µm	At least 10,000 particles /mL	≥ 85%	99.5%

¹based on the use of microspheres or *Cryptosporium parvum* oocysts

NOTE: The NSF information provided applies to the UltraFilter cartridge.



System Tested and Certified by NSF International against NSF/ANSI Standard 42 and 53 for the reduction of:

Standard No. 42: Aesthetic Effects
Nominal Particulate Reduction Class I

Standard No. 53: Health Effects
Cyst Reduction & Turbidity Reduction
as verified and substantiated by test data.

This system has been tested according to NSF/ANSI Standard 42 and 53 for reduction of the substances listed below. The concentration of the indicated substances in water entering the system was reduced to a concentration less than or equal to the permissible limit for water leaving the system, as specified in NSF/ANSI 42 or 53. While testing was performed under standard laboratory conditions, actual performance may vary.

DO NOT use with water that is microbiologically unsafe or of unknown quality without adequate disinfection before or after the system. Systems certified for cyst reduction may be used on disinfected waters that may contain filterable cysts.

Overview

The VZN system operates in two modes:

- Normal Operation Mode
- Flush Mode

During Normal Operation Mode, water enters the Inlet and flows through the UltraFilter before exiting the Permeate Outlet as usable product water.

During Flush Mode, the Drain Valve opens and water entering the Inlet flushes and cleans the UltraFilter membrane by removing any debris collecting on the membrane wall.

The Drain Valve is only powered during Flush Mode.

NOTE: DO NOT unplug the power cord or turn off the system during Flush Mode. If there is a power outage or the system is unplugged, water will continue to be filtered but the system will NOT flush. This could cause the UltraFilter to plug prematurely and may reduce the life of the filter.

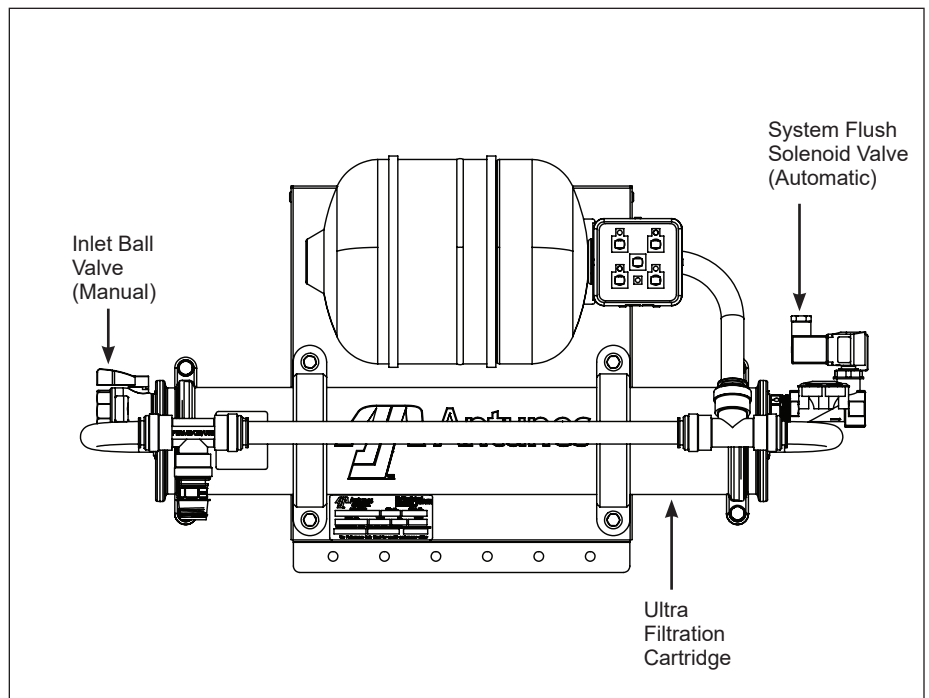


Figure 1. System Components Horizontal Units

⚠ Caution ⚠

Changing the flush interval can cause the UltraFilter to plug prematurely and may reduce the life of the filter. Consult the factory for more information.

Manual Flushing

A manual flush can be activated at any time by pressing the **FLUSH** button on the Universal Pulse Controller.

When the **FLUSH** button is pressed, the Flush LED on the controller flashes and the Drain Valve opens for 10 seconds. After flushing is complete, the Drain Valve will close, the Flush LED will stop flashing and the unit will automatically return to Normal Operation Mode.

NOTE: A manual flush will not affect the interval flush setting.

RESIDENTIAL VZN

Unpacking

1. Open the large box. It should contain:
 - A. Panel mounted VZN system with an UltraFilter Cartridge installed.
 - B. Padded envelope containing:
 - Power Adaptor
 - Owner's Manual
 - Mounting Bracket
 - Filter Wrench
 - Glove and Sticker Kit
2. Remove all packing materials and protective coverings from the system.
3. Remove the information packet. Fill out and mail the warranty card immediately to prevent any delay in obtaining warranty coverage.

NOTE: If any parts are damaged, contact Antunes IMMEDIATELY at +1-877-392-7854.

Equipment Setup

General

When placing the system into service, pay attention to the following guidelines:

- DO NOT immerse cord or power plug in water
- Keep cord away from heated surfaces.

Electrical

The line voltage must match the voltage on the specification label. The plug on the power cord must match the appropriate outlet. DO NOT connect the system to a switched electrical outlet.

Plumbing

NOTE: The system must be connected to the COLD water line. DO NOT connect the system to the hot water line.

The VZN system uses the following connections:

System Inlet	3/4" FNPT
System Outlet (Product Water)	3/4" FNPT
Drain	3/4" FNPT

When making a plumbing connection to the system, use a back-up wrench on the supporting plumbing. Always use a quality, approved pipe sealant or thread seal tape on pipe threads. DO NOT allow pipe sealant inside pipes.

DO NOT over tighten the connections. Use plastic fittings when connecting to the plastic connections of the system.

If soldered plumbing is used, DO NOT apply heat to, or near, the filtration system. Use union (O-Ring seal) connections for ease of installation and future servicing.

Suggested Tools and Supplies for Installation

The following tools and supplies are suggested to help with the installation:

- Screwdriver
- Drill with Bits
- Tape Measure
- Two Gallon Bucket
- Pipe Wrenches
- Fresh, Unscented Liquid Chlorine Bleach
- Adjustable Wrenches
- Level
- Pipe Dope or Thread Seal Tape
- Hose or pipe for drain line
- Garden Hose (for rinsing)

Installation

⚠ Caution ⚠

Due to its weight and size, the VZN system **MUST** be mounted with the provided Mounting Bracket. Read the Mounting the System section before attempting to mount the VZN system. Use care when lifting heavy objects.

Mounting the System

NOTE: Use caution when lifting and mounting the system. The system **MUST** be mounted using the provided Mounting Bracket.

The VZN system comes with a Mounting Bracket. When mounting the system, pay attention to the following guidelines:

- Allow sufficient access for cartridge replacement. The VZN-520H system should be mounted with 23 inches to the left or right of the system. The VZN-540H system should be mounted with 43 inches to the left or right of the system
- Mount the system near but NOT above an appropriate electrical outlet.
- Mount the system near a drain for flushing operations.
- Mount the system before all consumable water filtration processes.
- Secure the Mounting Bracket provided with the VZN system into wall studs with heavy duty hardware capable of supporting 120lbs. Or more (Mounting Hardware Not Supplied).
- Mount the VZN system to the Mounting Bracket and secure with heavy duty hardware (Mounting Hardware Not Supplied).

The system is pre-assembled to a Back Panel. The Back Panel has mounting holes across the bottom portion to secure the bottom of the system to the wall. Some of the bottom mounting holes may be obscured. Plan your mounting accordingly.

Follow these steps to secure the Mounting Bracket to the wall and seat the VZN system:

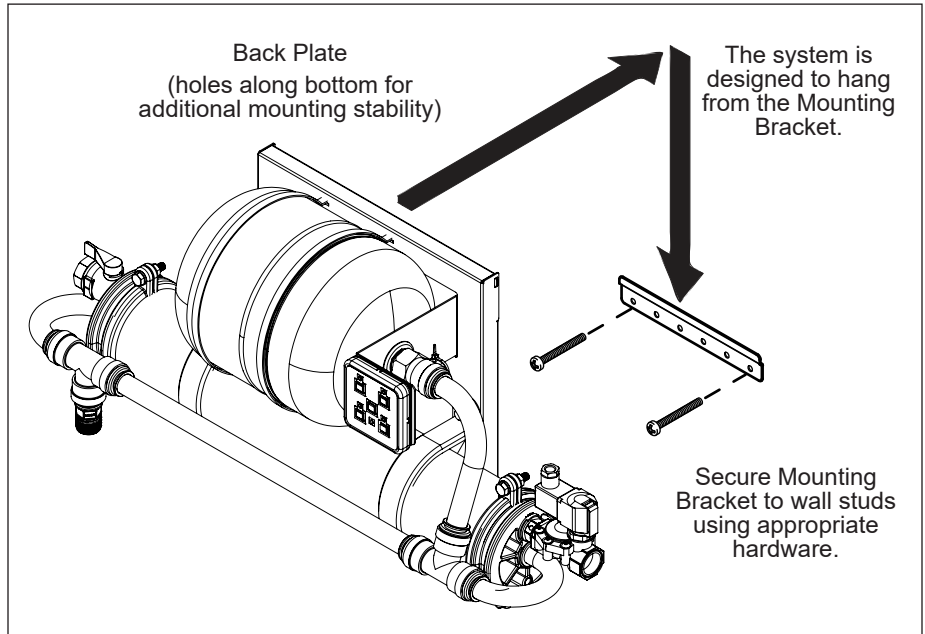


Figure 2. Mounting the System

1. Use a stud finder and level to attach the Mounting Bracket securely to the wall with the appropriate mounting hardware (Figure 2).
2. The Mounting Bracket is designed so that the VZN system can be lifted and hung on the Mounting Bracket. With assistance, lift the system and seat it onto the Mounting Bracket securely (Figure 2).
3. After mounting the VZN system to the Mounting Bracket, secure the VZN system to the wall using the mounting holes provided on the lower portion of the VZN system back panel.

Alternative Vertical Mounting

The system can be mounted vertically if required. See Figure 2A for more details. Note the following when mounting a system vertically.

1. Install the Mounting Bracket **horizontally** as shown in Figures 2 and 2A.
2. The system must be mounted so the Solenoid Valve is located at the TOP (Figure 2A).
3. Allow sufficient access for cartridge replacement. VZN-420 units should be mounted with 20 inches above or below. VZN-440 units should be mounted with 40 inches above or below.

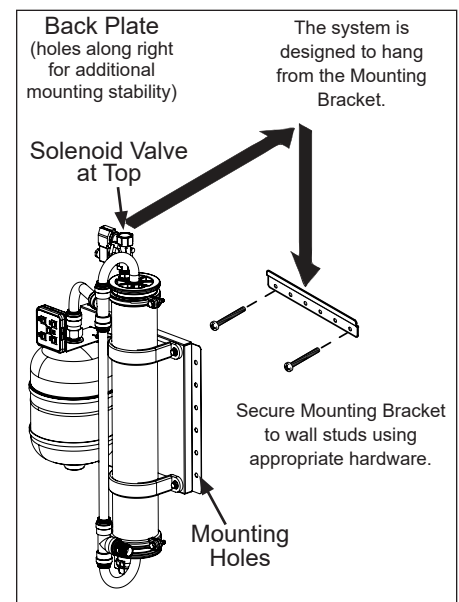


Figure 2A. Vertical Mounting

4. With assistance, lift the system and seat it securely onto the Mounting Bracket vertically (Figure 2A).
5. When mounted vertically, the back plate has mounting holes across the right portion to secure the right side of the system to the wall.

RESIDENTIAL VZN

Drain Valve Connection

The drain is for flushing particle buildup out of the system during self cleaning.

1. Cut a length of tubing (not supplied) so it reaches the drain from the Drain Valve.
2. Connect one end of the hose to the Drain Valve with an appropriate fitting (not supplied) (Figure 3).
3. Direct the other end of the hose to the drain (Figure 4). For hard plumbed drain lines the use of an O-Ring sealed union is recommended (not supplied).

When connecting the drain hose, pay attention to the following guidelines:

- The drain line plumbing must be able support the flow rate whenever the system flushes. This flow rate is dependent on the inlet water pressure, inlet pipe size, and system.
- The drain line leading out of the system must be as short as possible and slope downwards without any kinks or loops.
- The drain line plumbing must be positioned and secured at least 2 inches above the drain (Figure 4). This air gap protects the system from contamination in the event of a backed-up drain.
- The drain used must not be blocked or restricted.
- The drain used must be as large or larger than the drain line plumbing.

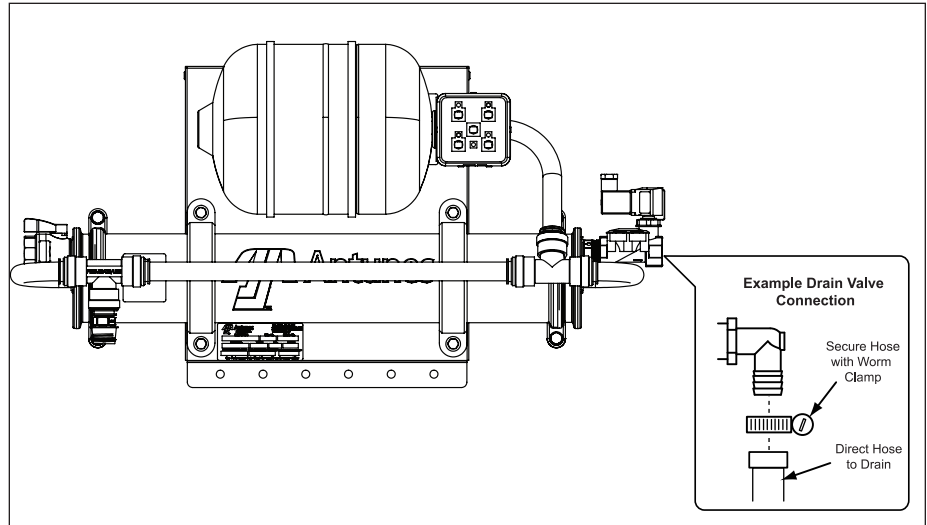


Figure 3. Drain Valve Connection

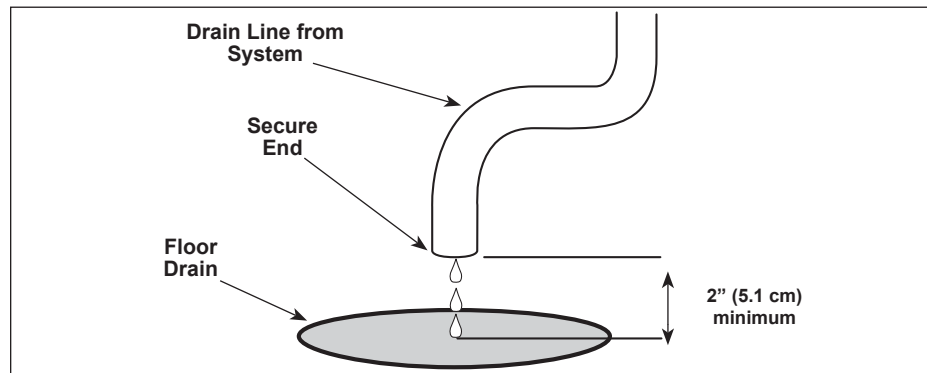
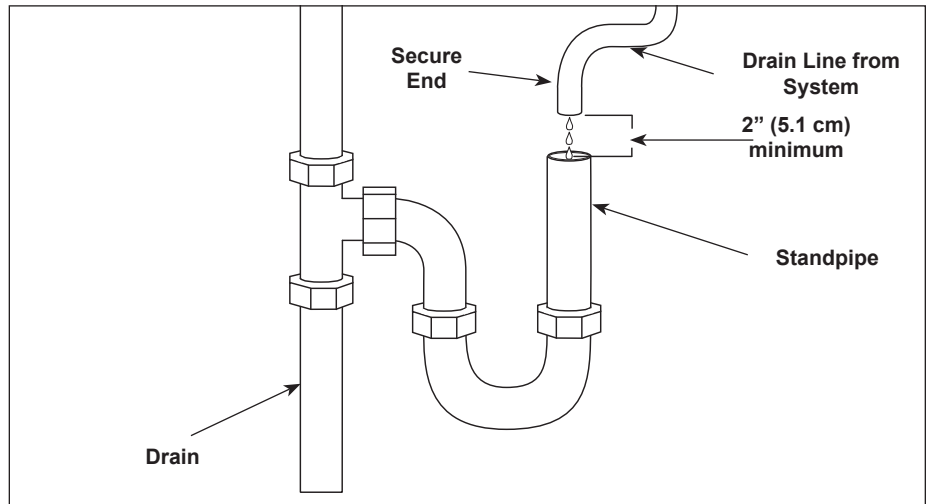


Figure 4. Drain Line Plumbing

System Inlet Connection

The System Inlet has a 3/4" FNPT thread at the Inlet Valve (Figure 5). DO NOT overtighten fittings as this could cause the plastic ball valve to crack.

Use plastic fittings and a pipe thread sealant approved for use on PVC fittings when making connections.

Filtered Water Permeate Outlet Connection

The System Outlet has a 3/4" NPT thread at the Outlet (Figure 5). DO NOT overtighten fittings as this could cause the plastic to crack.

Use plastic fittings and a pipe thread sealant approved for use on PVC fittings when making connections.

Inlet Water Plumbing

Before connecting the fitting to the System Inlet, the plumbing to the system must be flushed clear of all debris. Hold a bucket at the inlet water line and slowly open the Inlet Water Valve. Allow the pipe to flush until all debris is removed.

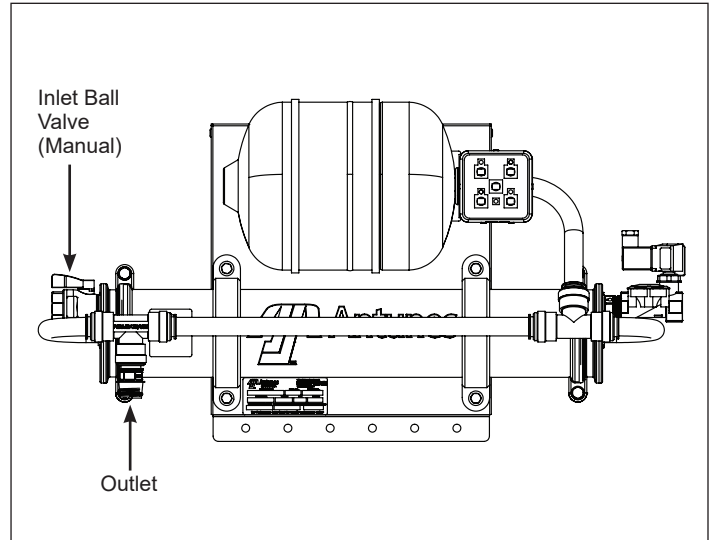


Figure 5. Inlet and Outlet Connections

RESIDENTIAL VZN

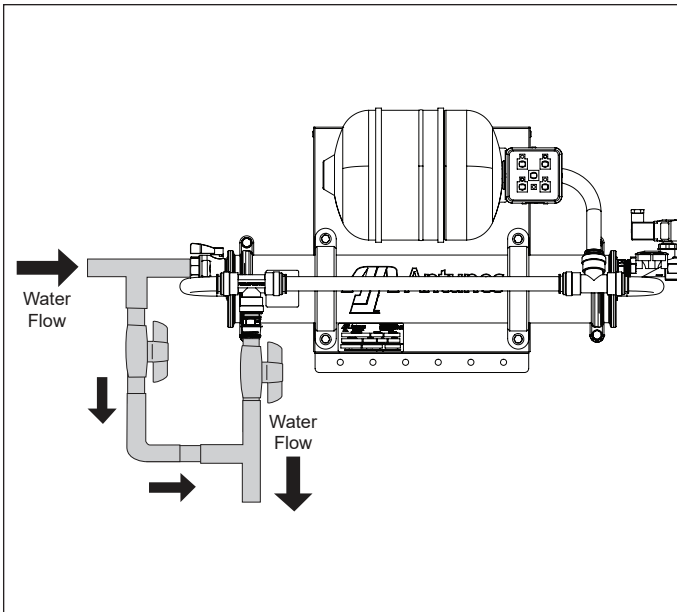


Figure 6. Install Bypass

Installing a Bypass

(Not Supplied)

It is recommended that an optional bypass be installed to help with replacing cartridges and servicing the system.

1. Install a ball valve on the outlet of the system, and install tees on the plumbing leading to the Inlet and Outlet Ball Valves.
2. Connect the two tees by installing plumbing and a fully ported (preferably 3/4") Ball Valve.
3. When the system is in use, open the Inlet and Outlet Ball Valves and close the Bypass Ball Valve.
4. When servicing is needed, close the Inlet and Outlet Ball Valves and open the Bypass Ball Valve.

Starting the Controller

1. Select the proper AC plug for your electrical outlet and install it onto the power supply.
2. Plug the appropriate end of the power cord into the controller.
3. Plug the other end of the power cord into the electrical outlet. The LEDs on the controller will light up.
4. The controller automatically enters Flush Mode and the Flush LED starts to flash.
5. When flushing is complete, the Flush LED will stop flashing and one or more LEDs will remain lit, indicating the unit has power and which interval is selected in the controller.

Rinsing the UltraFilter Cartridge

The UltraFilter Cartridge comes pre-installed in the VZN system. The UltraFilter Cartridge must be rinsed before the system is used to remove any air and protective solution.

NOTE: UltraFilter Cartridge must be rinsed to drain before use. Rinsing to drain removes storage solution and air. **DO NOT** rinse into carbon if present. Carbon life and/or performance may be affected.

⚠ IMPORTANT ⚠

DO NOT consume water used during this process.

1. Close the Inlet Ball Valve.
2. Direct water from the outlet to a drain.
3. Open the Outlet Ball Valve (if installed).
4. Slowly open the Inlet Ball Valve. Air and water will come out.
5. Press the **FLUSH** button. The Drain Valve will open and air and water will come out of the drain line. Repeat six times to ensure all air and storage solution are flushed out of the UltraFilter Cartridge.
6. Continue to allow water to run at full flow out of the Outlet Ball Valve for at least 15 minutes.
7. After 15 minutes, close the Outlet Ball Valve and allow the system to sit for 15 minutes without any water flow to release any trapped air from the UltraFilter Cartridge.
8. Inspect the unit for any leaks, repairing as needed.
9. After 15 minutes, open the Outlet Ball Valve and wait for 15 more minutes to flush out any remaining air.
10. Close the Outlet Ball Valve.
11. Press the **FLUSH** button to open the Drain Valve. Repeat six times to ensure any remaining air is flushed out of the system.
12. Open the closest downstream tap or faucet.
13. Slowly open the Outlet Ball Valve and allow water to run through the system and out the faucet for five minutes.

Sanitizing the System and Lines

The plumbing must be sanitized to eliminate possible contamination that may have occurred during the installation process.

One ounce (30 ml) of liquid chlorine bleach (regular bleach, unscented 5.25 % - 6 % sodium hypochlorite) or Kay-5 sanitizer solution (Sodium Dichloro-s-Triazinetrione Dihydrate, 6%) or equivalent can be used to sanitize the plumbing.

The Kay-5 sanitizer solution is made by dissolving a 1 oz. packet of Kay-5 powder in 2 oz. (60 ml) of clean warm water. This can be done by removing 1 inch from the top of the Kay-5 packet and adding the 2 oz. of warm water to the packet. Mix with a coffee stirrer to dissolve. When added to the system, this will create a 60-100 ppm chlorine solution.

NOTE: Follow the handling and safety instructions supplied with the sanitizer.

NOTE: Sanitizing kit is NOT supplied.

1. Follow the steps in the *Rinsing the UltraFilter Cartridge* in the Installation section of this manual.
2. Turn off the water to the system.
3. Open the faucet or tap closest downstream to the system.
4. Allow the system and plumbing to drain.
5. Allow the water to drain out of the system.
6. Pour the sanitizer into the water line supplying the system fitting using a cup or funnel. Be sure to wear protective gear and be careful not to spill the sanitizer onto clothing or skin.
7. Slowly turn on the water supply to the system.
8. Allow water to flow through the system and out of the open faucet or tap until the smell of sanitizer is present.
9. Close the faucet or tap.
10. Let the system stand without water flow for at least 15 minutes to allow the sanitizer to sanitize the pipes.
11. After 15 minutes without water flow, open the faucet or tap.
12. Allow water to flow through the system until the presence of sanitizer is gone.
13. Open all other faucets and taps in line with the system to flush any remaining sanitizer from the plumbing.
14. Close all faucets and taps.

RESIDENTIAL VZN

Maintenance

Replacing the UltraFilter Cartridge

NOTE: Water may drain from the tubing as it is removed. Make sure there is enough room around the system to remove the cartridge.

1. Turn off water to the system by closing the Inlet Ball Valve and Outlet Ball Valve.
2. Press the **FLUSH** button to flush the system and relieve system pressure. Repeat several times to ensure permeate tank is empty.
3. Remove either End Cap clamp hardware from the UltraFilter Housing. (Figure 7)
4. Locate the permeate 180° bent tubing on the UltraFilter Housing and disconnect the long end from the tee by pushing the collet squarely against the face of the fitting.
5. With the collet pushed in place on the tee fitting, pull the tubing from the tee fitting with your hand.
6. Remove the End Cap (Figure 7) from the UltraFilter Housing.

NOTE: If the Cartridge does not easily come out of the Housing, remove the opposite End Cap for assistance.

7. Inspect the End Cap O-Rings and Cartridge O-rings for nicks or cuts. Replace as needed.
8. Record the serial number of the new cartridge. The cartridge serial number is engraved on one end of the outer tube (for example: 05K 12013).
9. Lubricate all O-rings with a food-grade silicone lubricant. Apply a light coating of lubricant to the inside center tube at both ends of the new cartridge.
10. Position the new cartridge into the housing and gently insert into the housing.
11. Ensure the cartridge is fully seated on the opposite end cap.
12. Press the End Cap into position until it is fully seated.
13. Install the UltraFilter Housing clamp and hardware.

NOTE: Ensure all of the UltraFilter Housing clamp hardware is properly secured.

14. Reattach the tubing that was removed in steps 5 and 6.

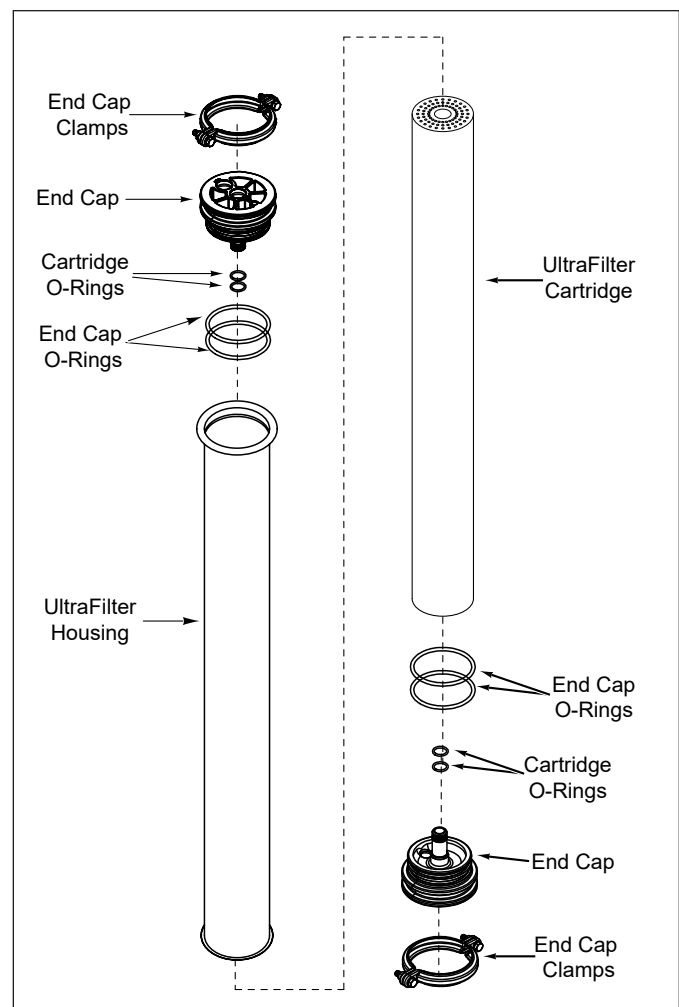


Figure 7. Replacing the UltraFilter Cartridge

15. Rinse the new UltraFilter Cartridge before placing the system back into operation. Follow the Rinsing the UltraFilter Cartridge, Sanitizing the System and Lines, and procedures in the Installation section of this manual to complete the cartridge change.
16. When rinsing is complete, repressurize the system by opening the Outlet Ball Valve then opening the Inlet Ball Valve.

Changing the Interval Setting

⚠ Caution ⚠

Changing the flush interval can cause the UltraFilter to plug prematurely and may reduce the life of the filter. Consult the factory for more information.

Though not recommended, the interval setting on the Universal Pulse Controller can be changed. If the setting must be changed, use the chart below. Press and hold the corresponding button. After 5 seconds, the Button LED will turn on. After 10 seconds, the Flush LED will also turn on.

Flush Interval	Button	Hold Time	Button LED	Flush LED
15 minutes	A	10 seconds	On	On
30 minutes	B	10 seconds	On	On
45 minutes	C	10 seconds	On	On
1 hour	A	5 seconds	On	Off
4 hour	B	5 seconds	On	Off
6 hours	C	5 seconds	On	Off
12 hours	D	5 seconds	On	Off
24 hours	D	10 seconds	On	On

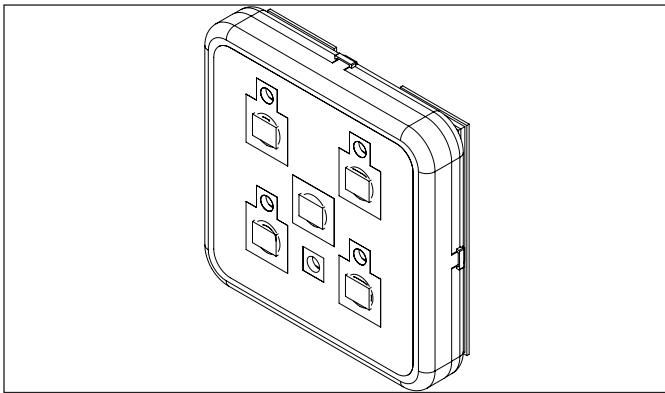


Figure 8. Universal Pulse Controller

Resetting the Timer Program

During the normal operation, the system will flush according to the set interval. It is possible the system will flush at a time of high water use. If this poses a problem, the controller can be reset. Unplug the power supply, wait for 5 seconds, and then plug the power supply in. When power is restored to the controller, it will automatically enter Flush Mode. The controller will then begin timing from the point when power is restored based on the interval setting selected.

Semi-Annual Task

Check Permeate Tank Air Pre-Charge

It is recommended the permeate tank air charge be checked every six months.

⚠ Caution ⚠

Air pre-charge should only be checked and adjusted under zero system pressure. The system must be depressurized before checking the tank pre-charge. DO NOT adjust the tank air pre-charge with the system under pressure.

⚠ Caution ⚠

Be careful when adding air to the tank. DO NOT add too much air pressure to the tank.

Tools and supplies required:

- Air Pressure Gauge, 5-40 psi range (0.3-2.7 bar) with tire valve (Schrader Valve) connection
 - Source of compressed air (manual bicycle tire pump or air compressor)
1. Refer to Figure 1. Depressurize the system by closing the Inlet and Outlet Valves and opening the Rinse Valve. Make sure the Permeate Tank is fully drained.
 2. Unscrew the protective cap from the air valve on the tank.
 3. Use the pressure gauge to check the tank pre-charge for pressure.
- NOTE:** If any water comes out the air valve, the tank bladder has ruptured and the tank needs to be replaced.
4. The permeate tank should have a pressure of 28-31 PSI.
 - To add pressure to the permeate tank, use a manual bicycle tire pump or other source of compressed air.
 - To release pressure from the permeate tank, press the center pin on the air inlet valve.
 5. Once the permeate tank is at 28-31 PSI, replace the protective cap on the air valve.
 6. Pressurize system by closing the Rinse Valve and opening the Inlet and Outlet Valves.

RESIDENTIAL VZN

Troubleshooting

Problem	Possible Cause	Corrective Action
Unit does not have power.	The power cord is not plugged into the appropriate outlet or control box.	Plug power cord into the appropriate outlet.
	The unit is plugged into a switched electrical outlet.	Plug the power cord into an unswitched outlet.
	Universal Pulse Controller is inoperable.	Contact your maintenance person or Authorized Service Agency.
	Transformer is defective.	
No water comes out of the filter system.	Inlet/Outlet Ball Valves closed.	Open the Inlet/Outlet Ball Valves.
	System depressurized.	Pressurize system.
	Drain Valve is stuck open.	Clean, rebuild, and/or replace the Drain Valve.
	Rinse Ball Valve is open.	Close the Rinse Ball Valve.
	The system may be in a flush cycle.	Wait for the flush cycle to end.
	Inlet Strainer (if installed) is plugged.	Clean or replace Inlet Strainer
	UltraFilter Cartridge is plugged.	Replace UltraFilter Cartridge.
Low water flow comes out of the filter system.	See above.	See above.
	The inlet water pressure is too low.	Boost the inlet water pressure.
	The outlet check valve may be plugged or defective.	Clean or replace the outlet check valve assembly.
	The inlet flow restrictor may be plugged.	Clean or replace the inlet flow restrictor.
Water tastes bad.	Storage/shipping solution not completely rinsed out of the system.	Rinse the system for a longer period of time; replace Carbon Element.
	Biological growth in pipes.	Sanitize plumbing.
	Water condition changed.	Consider installing additional filtration.
	Broken capillaries in UltraFilter Cartridge.	Replace UltraFilter Cartridge.
Flush runs continuously.	Drain Valve stuck open.	Clean, rebuild, or replace the Drain Valve.
	Controller sending continuous signals to valve.	Replace the controller.
Water splashes at drain during flush.	Drain line not positioned properly.	Reposition the end of the drain line.
	Drain not capable of handling high flow rate.	Clean drain; find alternate drain.
Water leaks at ends of the UltraFilter cartridge after changing cartridge.	O-rings are not lubricated.	Lubricate O-rings with food grade lubricant.
	O-rings are split, cut, or twisted.	Replace O-rings.
	UltraFilter Housing clamps and hardware not properly secured	Tighten UltraFilter Housing Clamps or replace.
Water leaks from system fitting or connection.	Fitting broken or loose.	Tighten or replace the fitting.
	Not enough pipe thread sealant used.	Redo the fitting with the proper amount of sealant.

Replacement Parts

Parts List

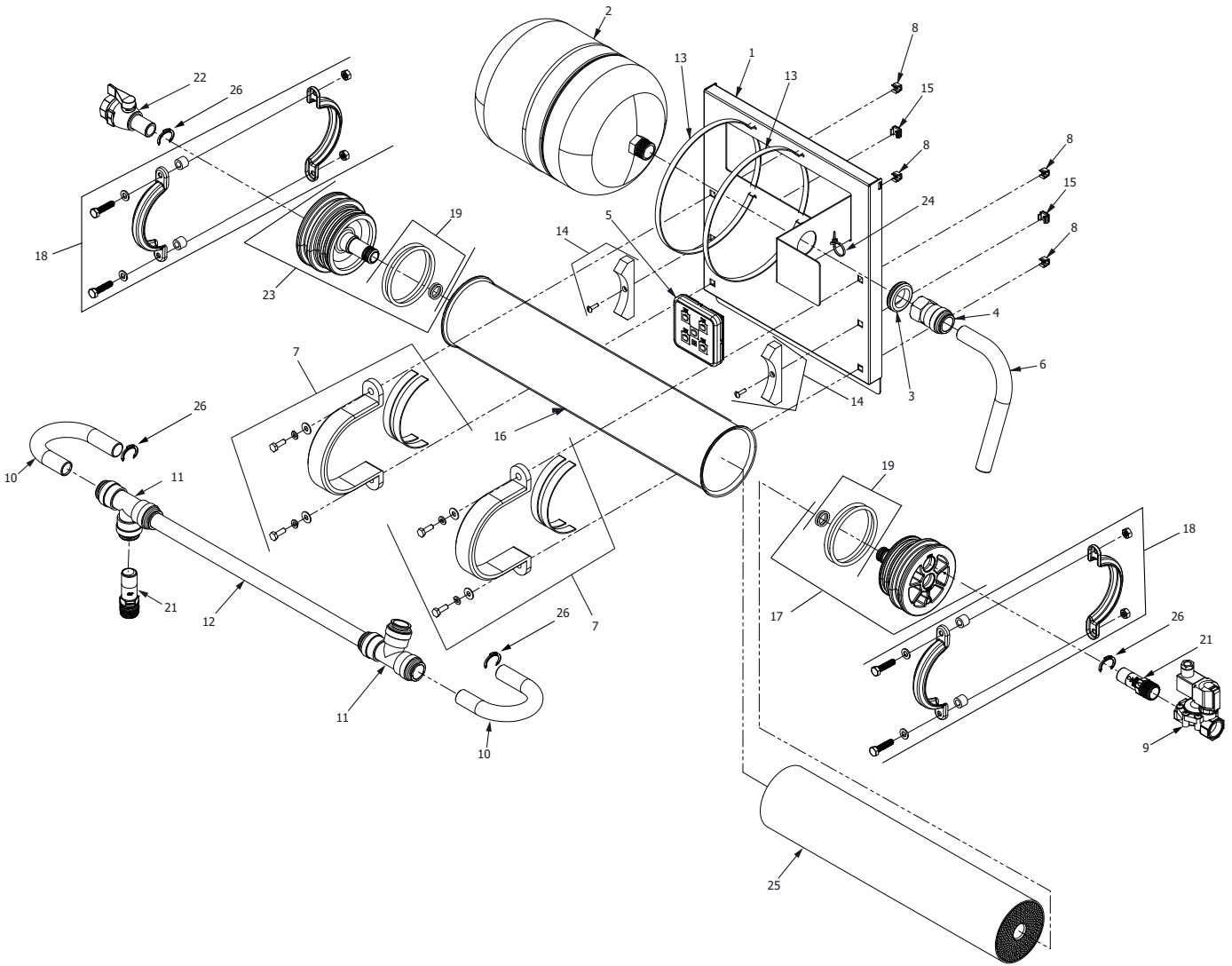
(See Exploded Views for more information)

NOTICE	
Use only genuine Antunes replacement parts in this unit. Use of parts other than those supplied by the manufacturer will void the warranty.	

Item No.	Part #	Description	Qty.
1	0509346	Backplate, VZN 520/540, HORIZ	1
2	2180215	Tank-Expansion, 2.1 Gal with 3/4 NPT	1
3	0400381	Grommet, 1.75OD X 1.187ID	1
4	2190158	Female Connector, 3/4 CTS x 3/4 NPS	1
5	0012357	Universal Pulse Controller Assy	1
6	2010199	Tubing, Bent, 90 Degree	1
7	7002016	Clamp Kit, UFL Housing	2
8	3000116	Nut Retainer - 1/4"-20	4
9	4040189	Valve, SOL NC, 24DC, 3/4 NPT	1
10	2010247	Tubing, PEX-B, 3/4" CTS, 180°, 4.53" X 3.843	2
	2010245	Tubing, PEX-B, 180°, 4.53" X 13.25	2
11	2190155	Union Tee, 3/4" CTS	2
12	2010246	Tubing, PEX-B, 3/4" CTS, 19.72" Straight	1
13	4060438	Cable Tie 36" Black	2
14	7002017	Rubber Cradle Kit	2
15	3000132	Nut, Cage, 8/32, ZP Steel	2
16	0508910	Housing, 4 DIA X 20"L, SS 304, UF	1
	0508919	Housing, 4 DIA x 40"L, SS 304, UF	1
17	7002014	VZN/UFL Drain Endcap Kit	1
18	7002015	Clamp Kit, Endcap	2
19	7001914	SS Housing O-Ring Kit	2
20	0700769	Wire Harness, GAP-421 Valve (Not Shown)	1
21	2190210	Fitting, 3/4 MPT X 3/4 CTS STEM, JG	2
22	2170173	Valve, Ball, 3/4 CTS X 3/4 FPT, Black, Plastic	1
23	7002025	VZN-5 8GPM Endcap Kit	1
	7002024	VZN-5 15GPM Endcap Kit	1
24	4060173	Cable Tie (.100x4-3/16)	1
25	7010003	20" UltraFilter Cartridge Kit	1
	7010002	40" UltraFilter Cartridge Kit	1
26	2190304	Collet Clip	4

RESIDENTIAL VZN

Exploded View VZN-520H and VZN-540H Systems



Warranty

Equipment manufactured by Antunes has been constructed of the finest materials available and manufactured to high quality standards. These units are warranted to be free from defects in materials and workmanship for a period of one year from date of purchase under normal use and service, and when installed in accordance with manufacturer's recommendations*.

*To ensure continued proper operation of the units, follow the maintenance procedure outlined in the Owner's Manual.

1. This warranty does not cover failures due to improper system installation, defects caused by improper storage or handling prior to placing of the equipment into service.
2. Antunes reserves the right to make changes in design or add any improvements on any product. The right is always reserved to modify equipment because of factors beyond our control and government regulations. Changes to update equipment DO NOT constitute a warranty charge.
3. THIS WARRANTY IS EXCLUSIVE AND IS IN LIEU OF ALL OTHER WARRANTIES, EXPRESSED OR IMPLIED, INCLUDING ANY IMPLIED WARRANTY OR MERCHANTABILITY OR FITNESS FOR A PARTICULAR PURPOSE, EACH OF WHICH IS HEREBY EXPRESSLY DISCLAIMED. THE REMEDIES DESCRIBED ABOVE ARE EXCLUSIVE AND IN NO EVENT SHALL ANTUNES BE LIABLE FOR SPECIAL CONSEQUENTIAL OR INCIDENTAL DAMAGES FOR THE BREACH OR DELAY IN PERFORMANCE OF THIS WARRANTY.
4. Prices and specifications are subject to change without notice.



Corporate Headquarters

180 Kehoe Blvd.
Carol Stream, IL 60188, USA
Phone: +1.630.784.1000
Toll Free: +1.800.253.2991
Fax: +1.630.784.1650

China Facility

2# Building North, 89 Songshan Rd.
ShiShan Industrial Complex Park
New District, Suzhou, China 215129
Phone: +86.512.6841.3637
Fax: +86.512.6841.3907

India Facility

Antunes NADI Manufacturing India Pvt. Ltd.
57-58 Thattankulam Rd., Madhavaram
Chennai, India 600060

www.antuneswater.com