

BURLI

Vertical Weight Tree

Vertical Weight Tree

Disclaimer

This equipment must be used with care by capable and competent individuals under supervision, if necessary. The use of any fitness equipment, including this one, involves the potential risk of injury. You accept and assume full responsibility for any and all injuries, damages (both economic and non-economic), and losses of any type, which may occur, and you fully and forever discharge BURLI, LLC, its insurers, employees, officers, directors, associates and agents from any and all claims, demands, damages, rights of action or causes of action, present or future, whether the same be known or unknown, anticipated or unanticipated, resulting from or arising out of the use of said equipment.

BURLI, LLC MAKES NO WARRANTY WHATSOEVER WITH RESPECT TO THE EQUIPMENT, INCLUDING ANY WARRANTY OF MERCHANTABILITY OR WARRANTY OF FITNESS FOR A PARTICULAR PURPOSE, WHETHER EXPRESS OR IMPLIED BY LAW, COURSE OF DEALING, COURSE OF PERFORMANCE, USAGE OF TRADE OR OTHERWISE. BUYER ASSUMES ALL LIABILITY IN USE OF THE EQUIPMENT.

Vertical Weight Tree

Important Safety Notes

There is a risk assumed by individuals who use this type of equipment. Before beginning this or any other exercise program consult your physician. This is especially important for individuals over the age of 35 or persons with pre-existing health problems. BURLI, LLC assumes no responsibility for personal injury or property damage sustained by or through use of this product.

1. This product must be assembled on a flat, level surface to assure its proper function.
2. Inspect and tighten all parts before every use. Replace any worn parts immediately. Failure to do so may result in serious injury.
3. Keep children away from the Vertical Weight Tree at all times.
4. Keep your hands and fingers away from moving or hinging parts.
5. Exercise with care to avoid injury.
6. If unsure about the proper use of the Vertical Weight Tree contact BURLI, LLC at (503)-387-5937

Vertical Weight Tree

Parts Included

The following is a list of parts included to assemble the Vertical Weight Tree on a flat, level surface.

- 1 Center Post
- 2 Legs
- 1 Support Arm
- 2 Support Brackets
- Hardware
 - 4 5/8-11 x 5" Hex bolts
 - 4 5/8-11 X 3 1/2" Hex bolts
 - 8 5/8-11 Nylock nuts
 - 16 5/8 Washers
- Optional Hardware
 - 4 Wheels
 - 4 1/2" Nylock Nuts
 - 4 1/2: Washers

Tools Required

- Level

Two of the following in any combination are required for tightening hardware on the stand.

- 15/16" end wrench
- 15/16" socket wrench
- Impact driver with 15/16" impact socket
- Adjustable wrench

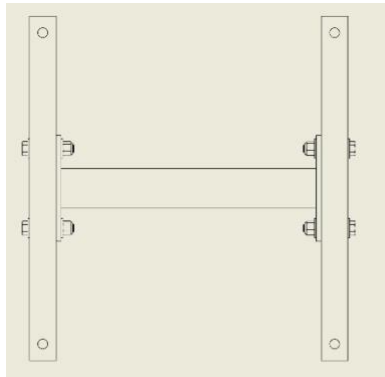
Always assemble BURLI products with help. Some pieces are heavy or awkward, and not only will the assembly process be much easier with help, it will also be safer.

Vertical Weight Tree

Assembly Instructions

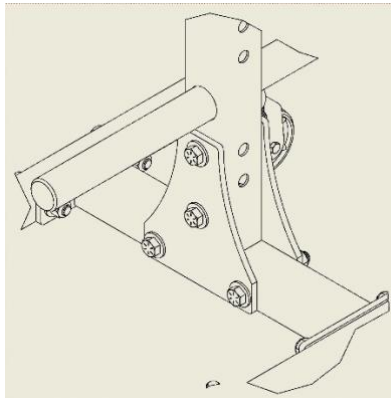
Step 1 – Assemble Base

1. Begin by laying two legs parallel on a flat, level surface about two feet apart. Place the support arm between them centered, with the two holes in the center of the legs aligning with the holes at the ends of the support arm.
2. Insert four 5/8"-11x 3 1/2" bolts with a washer through the leg first, then through the bracket on the support arm. Add a washer and a nylock nut to the threaded end of the bolt, and tighten using two end wrenches, socket wrenches, adjustable wrenches or an impact driver.



Step 2 – Attach Plates and Center Post

1. With the base on a flat, level surface, place the two support brackets on the sides of the support arm. Insert two 5/8"-11 x 5" bolts with washers through both support brackets with the support arm between the brackets. Add a washer and nylock nut to both bolts, but do not tighten them yet.
2. Stand the center post on the base, with the holes in the center post aligning with the holes in the support brackets. If the holes in the brackets do not match the holes in the center post, rotate the center post. See picture below for correct orientation. Insert two 5/8-11 x 5A" bolts with washers through both support brackets and the center post, then add washers and nylock nuts to the threaded end. Once all four bolts in step 2 are started, they may all be tightened using two end wrenches, socket wrenches, adjustable wrenches or an impact driver.



Vertical Weight Tree

Step 3 – Install Wheels (Optional)

1. Wheels are an optional add on for the vertical weight rack. The rack is considered fully assembled and functional without wheels.
2. To install the wheels, tip the vertical weight rack on its side so the bottom of the base is exposed. Insert four wheels through the base of the weight rack using the sleeves on the threaded portion of the wheel to ensure a snug fit. Add a washer and ½" nylock nut to the threaded end and use two end wrenches, socket wrenches, adjustable wrenches or an impact driver to tighten all nylock nuts.
3. Tip the vertical weight rack upright carefully because the wheels may make it slide as it is lifted.

