



» STEAMBOW »

STEAMBOW FENRIS
BEDIENUNGSANLEITUNG / OWNERS MANUAL

STEAMBOW FENRIS
OWNERS MANUAL



MANUFACTURER NOTICE

Engineered, manufactured, assembled, and tested in Austria.
Subject to technical changes and errors.

Manufactured by:



Steambow GmbH
Bäckerstrasse 1
2433 Margarethen am Moos
Austria

www.steambow.com

WHAT'S IN THE KIT?

- Bow magazine made of milled and anodized aluminum
- Picatinny rail for mounting red dot sights (pre-installed)
- Removable trigger unit with screw knob
- Standard mounting bracket with guide rollers
- 5 arrows with field points
- Owner's manual and safety instructions
- Hex key for installation on bow
- Required screws



IMPORTANT SAFETY INFORMATION

Be sure to read and understand all instructions and warnings and always follow them when using this product.

- A compound bow with a FENRIS magazine is identical to a conventional bow without a magazine in terms of the dangers and legal regulations.
- When using your FENRIS magazine, be sure to follow the rules that apply to all shooting sports in general and to archery in particular and especially be certain to follow your local laws about using archery equipment.

ATTENTION: Installing a FENRIS magazine may change the legal classification of your bow in some countries. You are responsible for complying with the laws in your country!

- Follow all safety instructions and warnings for the bow on which you install your FENRIS magazine. Contact the manufacturer of your bow or the dealer where you purchased your bow if you have any questions.
- Do not modify your FENRIS magazine in any way! Changes, especially to the trigger, can make your FENRIS magazine unsafe. Any modification of your FENRIS magazine will void the guarantee.
- Inspect your bow and magazine for loose fasteners, visible damage, or worn parts (especially the string) before and after each use. Be sure to repair or replace any worn parts before the next use.
- Do not use your bow if the serving is damaged! If you continue to use it, the string will break very quickly and will be destroyed. The serving is easy to replace or repair.

- Inspect your arrows for damage before every use. Damaged arrows may not be used.
- Before each shot, make sure that there are no people or animals between you and your target, in the vicinity of your target, or behind your target. The arrow may miss the target or pass through the target. Even after passing through the target, the arrow may have sufficient kinetic energy to seriously injure or kill people or animals.
- The danger zone for an arrow fired from a modern bow is much greater than typical shooting distances in archery or bowhunting. An arrow fired from a modern bow can be a hazard for people, animals, or objects several hundred meters away. Never shoot up at a steep angle or directly up, as a falling arrow can seriously injure or kill people or animals.
- Make sure there is a sufficient backstop behind the target to catch arrows before firing an arrow. A hill or berm or a sufficiently massive structure such as a wall are ideal for this. You can also ensure a sufficient backstop by shooting at your target from above, for example from a hunting stand or from a tree.
- Arrows that strike a hard surface such as a road at a shallow angle can deflect and continue at nearly undiminished speed. Deflected arrows can fly for several hundred meters and pose a serious risk of injury or damage. For this reason, always make sure that your backstop can also reliably stop deflected arrows.
- Failure to follow these safety instructions and warnings can also cause damage to your compound bow or FENRIS magazine. Do not use your bow or magazine if there is any visible damage to any of the components!

INSTALLING THE MOUNTING BRACKET ON YOUR BOW

The FENRIS magazine is compatible with most modern bows. It is not compatible with bows with shoot-through risers, as these bows do not offer clearance for the magazine.

If your bow has two mounting holes for the arrow rest, you can use the included standard mounting bracket as is. (1)

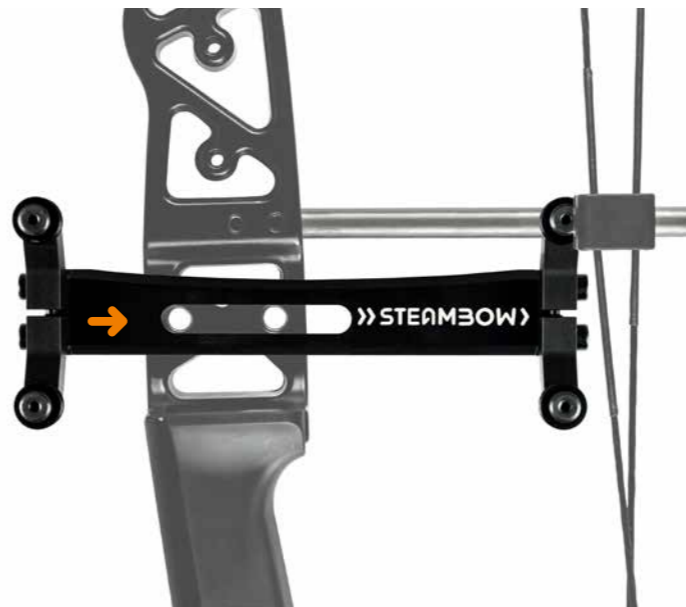


If your bow only has one hole for the arrow rest, you also need our Universal Bow Adapter. (2) This can be purchased separately at www.steambow.at/fenris

(Also available through the respective national distributor of Steambow products)

IMPORTANT!

If you only mount the magazine with one screw, it can easily be moved out of alignment. The magazine must always be installed horizontally, in other words parallel to the direction of arrow flight. If the magazine is mounted at an angle, the bow will not shoot properly. The arrow will be destroyed, and the surface of the magazine will be marred or the magazine more seriously damaged.



INSTALLATION STEPS

1. The mounting bracket is attached to the outside of the bow (opposite the sight window).
2. The mounting bracket should be installed as far back on the bow (as close to the archer) as possible. This location will vary depending on the specific bow.

3. Affix the included rubber buffer to the inside of the mounting bracket. Affix the buffer on the proper side depending on whether you shoot left or right handed. The buffer is intended to protect the surface of your bow. The buffer is not needed for safe operation.
4. Now affix the mounting bracket to the bow with the included screws. Use the included washers.



5. Slide the magazine without the trigger unit into the rollers. (3)

6. Now set the horizontal distance to the string using the screws on the Y-shaped forks. This is easier when the 4 screws are tightened lightly. Adjust the magazine so that you can run it back and forth without contacting the string or with only minimal contact with the string.

7. Once you are satisfied with the adjustment, tighten all 4 screws. (4)

NOTE

If the magazine sticks or binds, this is almost always caused by the forks being set incorrectly. It's best to adjust the magazine while the trigger unit is already installed (see page 20 for more details)

8. Use the two grub screws on the forks to adjust the tension applied to the magazine depending on your personal preferences. (5)



BEFORE FIRST USE

Make sure that the magazine is adjusted properly. The magazine should run back and forth without resistance, and the string should have minimal or no contact with the magazine.

Set the draw length and weight of the bow according to your preferences. You can set the magazine travel distance by using the stop (7) on the bottom of the magazine. Just screw the stop screw (7) into the desired location (6).

We recommend setting the draw length of the bow long enough so that you reach the magazine stop. Ideally, both should be set at about the same distance.

If the draw length is set shorter than the magazine stop, the magazine will move back after the string is released. This can happen very suddenly, and if you are holding the handle in front of your face, you may be injured.



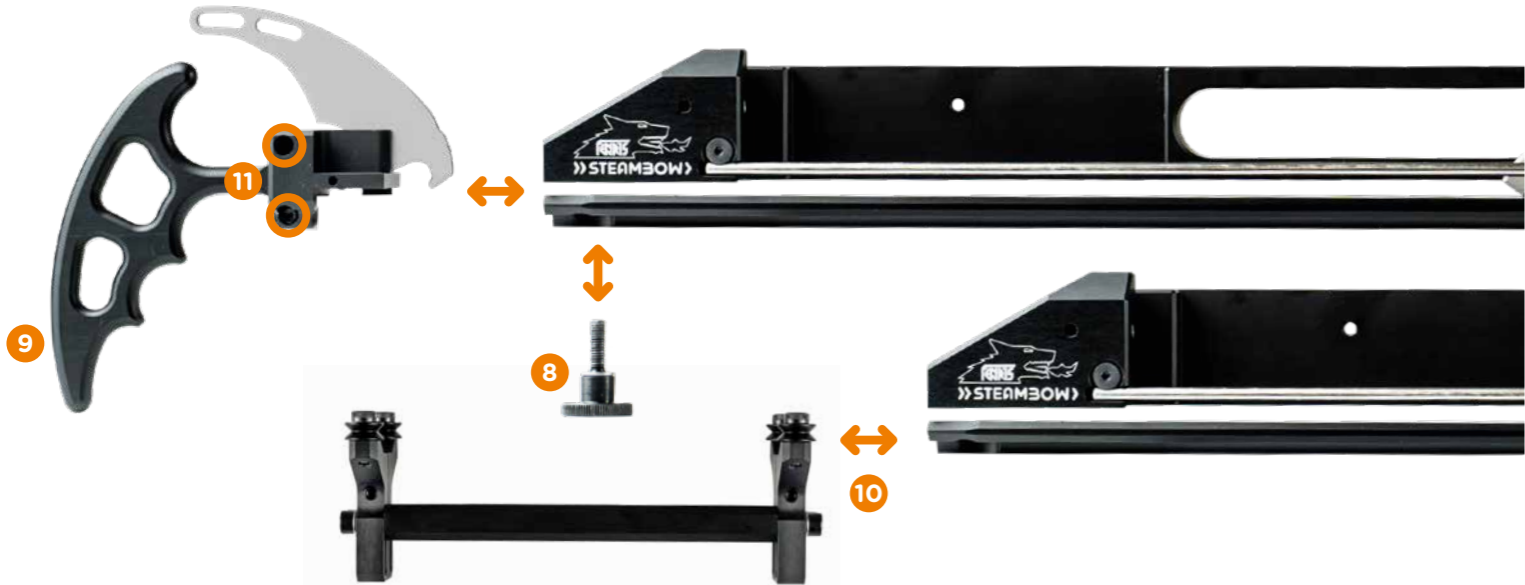
FITTING THE MAGAZINE ON THE BOW

You can remove and install the magazine as follows:

1. Remove the screw knob (8) and slide the trigger unit (9) out of the magazine.
2. Insert the magazine into the guide rollers (10) from the front.
3. Insert the trigger unit (9) back into the magazine.
4. Screw the knob (8) back down tight.

NOTE

The handle can be installed horizontally or vertically. Simply loosen the two screws and turn the handle to the desired orientation (11). It's best to install the trigger unit when storing or transporting the magazine detached from the bow.



LOADING ARROWS

It is best to latch the string into the trigger unit before loading the magazine.

1. Lift the arrow retainer (12) and lay it in the catch slot on the magazine.
2. Place up to 5 arrows in the magazine. It is best to insert the arrows nock (13) first. Place the nock on the notch at the rear of the magazine, turn the arrow until the nock is oriented correctly, and drop the arrow into the magazine.

ATTENTION!

If you use broadheads, you must orient the broadhead correctly in the magazine. Make sure that the broadhead you are using can exit the front of the magazine without interference.

3. Once you have loaded all arrows, place the arrow retainer onto the arrow stack. (14)

12

14



DRAWING AND AIMING

If you have already latched the string into the trigger unit, all you have to do is draw the bow and fire an arrow by depressing the trigger. (15)

See next page for more details.

NOTE

We offer different sights. For more information, visit www.steambow.at/fenris

13

15

IMPORTANT!

It is possible to draw the magazine silently. This may especially be necessary when hunting.

For this, you can either use the optional finger grip or install a rubber or foam damper on the front Y-fork. This will prevent the metallic click when the magazine is drawn back to the stop.

You can aim by sighting along the magazine body or by using an optional sight (red dot sight, laser, scope, or iron sights).

After you have fired an arrow, release the trigger and move the grip back to the string.

Once the string is latched into the trigger unit again, you can draw the bow and fire.

When the magazine is empty, the arrow retainer blocks the magazine when you move the magazine forward. The string catches in the arrow retainer.

IMPORTANT!

Never fire your bow without an arrow in the magazine. Dry firing your bow can damage or destroy it.

NOTE

A wide range of accessories can be found at www.steambow.at/fenris or through the respective national distributor of Steambow products.

MAINTENANCE

Regularly apply high-quality wax to your string. It is especially important to maintain the serving.

IMPORTANT!

If the serving shows any wear, it should be replaced. If the serving is torn, it must be replaced immediately. Otherwise, the string will break.

We recommend applying an additional layer of serving, especially where the trigger hook contacts the string, to significantly extend the life of the string. Your string may come wrapped with a very fine serving thread. In this case, use as thick a thread as possible from a different manufacturer the first time you repair the serving. Serving tools and thread can be purchased in any archery shop.

The rail of the FENRIS magazine is manufactured to extremely fine tolerances and requires no lubrication. Applying a lubricant such as silicone oil will further reduce friction and increase the life of your string. However, when the bow is used outside (especially for hunting), this lubricant will attract dust and grit. This means that you must clean the magazine more frequently if you lubricate it.

SERVICE AND GUARANTEE

Limited three-year guarantee

We manufacture your FENRIS according to the highest standards and using high-quality materials so that it will provide you with many years of enjoyment. In the unlikely event that material or manufacturing defects are discovered during the first thirty-six (36) months after purchase from your dealer, we will repair or replace the defective parts under guarantee.

What is covered?

- Replacement parts and labor
- Shipping costs for returning the repaired product to the customer

What is NOT covered?

- Damage or defects caused by improper use, handling, or negligence on the part of the owner
- Shipping costs for sending defective products to Steambow
- Damage caused by improper use or a lack of maintenance
- Any other costs
- Wearing parts
- Consequential damages, incidental damages, or indirect damages including property damage

This guarantee applies in addition to your legal rights. Keep your receipt as proof of purchase.

NOTE

The exclusion of consequential damages or incidental damages is not permitted by law in some countries, meaning that the above restriction or exclusion may not apply to you.

NOTE

The expiration of implicit guarantees is not permitted by law in some countries, meaning that the above restriction may not apply to you.

Should one of the provisions of this guarantee contradict binding federal, state, or local law, it shall not apply. You may have other rights in addition to the specific legal rights granted under this guarantee depending on your country of residence. Illustrations and photos are provided for informational purposes only and may not exactly match the model that you purchased.

This guarantee shall not apply if

- the product has been incorrectly disassembled, reassembled, or maintained
- the product has been fitted with parts not provided by Steambow
- the product has been used incorrectly or improperly or has been improperly stored
- the original receipt cannot be presented.



www.steambow.at
www.steambow.com