

***COBRA SYSTEM
R-SERIES
(RX ADDER)***

Instructions and Safety Manual



Read and follow all safety warnings and instructions in this manual.

Retain instructions and safety manual for future reference.

TO THOSE WHO ARE ABOUT TO SHOOT, WE SALUTE YOU!

For thirty years, the team at Ek Archery Research has been devoted to the manufacturing of quality archery products. As our company matures, we continue to challenge ourselves to embrace even higher ethical standards over a wide range of issues including how our manufacturing impacts the environment, fair and conscientious trade conventions and the well-being of our end-users. We would also like to emphasize our continued advocacy of ethical hunting practices and our expectations that our products are not to be used to maliciously hurt humans, animals or property.

We ask that in Your enjoyment of our products, You would consider the privilege and duties of owning this crossbow. This is a very potent device that demands Your respect and thoughtfulness; misusing it or underestimating its potency will inevitably lead to devastating consequences for yourself, other people or nature.

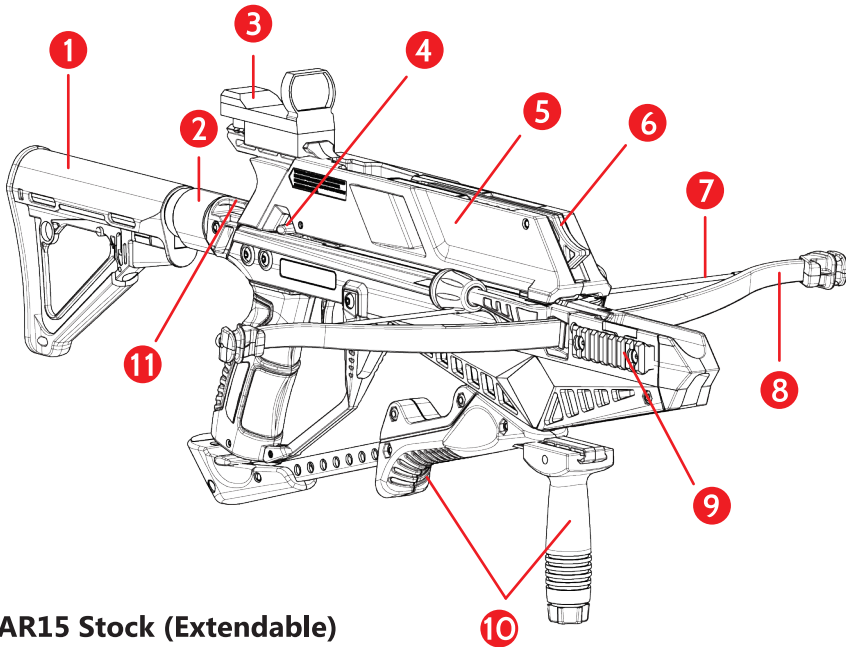
With great power comes great responsibility. We hand this crossbow over to You, with the hope that it will be operated with restraint and wisdom.

COBRA SYSTEM R-SERIES CROSSBOW (RX ADDER) INSTRUCTION MANUAL

Congratulations! You own an R-Series Crossbow! A compact, fast handling and powerful crossbow for your serious shooting enjoyment!

- The limb set comes pre-strung and is designed to be quickly attached or detached from the main body for transport and storage.
- With only a pen, nail, or bolt tip as a tool, the limb set and stock can be added or removed from the main body. With a little practice you will be able to put it together or take it apart in under ten seconds.
- Your R-Series can easily shoot good groups at 15m using the standard Red Dot sights. The bolts that come with this crossbow have high energy and deep penetration on impact. **(Therefore, shoot at appropriate target materials and at safe distances. Don't underestimate the power of the bolts!)**
- It is necessary to practice a safe and correct form when operating the cocking arm and safety mechanism. **(Learn how to correctly cycle the R-Series Crossbow before trying to shoot proficiently.)** Otherwise, you can seriously harm yourself and cause your crossbow to have a short and sad service life.

Crossbow Diagram



1. AR15 Stock (Extendable)
2. Buffer tube for tactical stock
3. Aluminum red dot sight
4. Trigger box with **fire/safe** latch
5. 5-Bolt Detachable Magazine
6. Built-in Anti-Dry Fire Mechanism
7. String
8. Limb
9. Picatinny rail (Mounting optional accessories)
10. Foregrip
11. Sling mount

Deluxe Package Includes :

- 5 x 7.5" Carbon Bolts
- 1 x String Wax
- 1 x Shoulder Sling
- 1 x AR15 Stock with Buffer Tube
- 1 x Aluminum red dot sight
- 1 x Simple Foregrip
- 1 x Safety Glasses
- 1 x Restrianger
- 1 x Replacement String
- 1 x Set Replacement Limb Tips

READ THIS BEFORE YOU REMOVE THE STRING WARNING LABEL. BY REMOVING THE STRING WARNING LABEL, YOU HAVE READ AND FULLY UNDERSTAND HOW TO SAFELY OPERATE THE COBRA SYSTEM R-SERIES.

DON'T LET ITS SIZE FOOL YOU! THE R-SERIES CROSSBOW IS A POWERFUL AND DANGEROUS DEVICE THAT WILL BITE YOU AND HARM OTHERS IF YOU UNDERESTIMATE IT OR DISRESPECT IT. YOU HAVE BEEN WARNED!

Your R-Series Crossbow will reward you with a lot of shooting fun IF you read through the following instructions thoroughly.

EVEN MORE WARNINGS THAT YOU SHOULD READ:

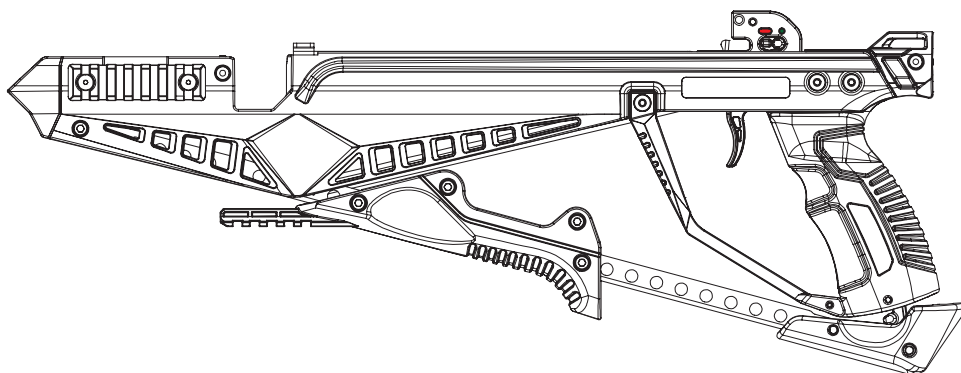
- Obviously, this is not a toy and adult supervision is required. Misuse or careless use may cause serious injury, death or terrible lawsuits. Use common sense.
- It is extremely important to read and follow these instructions before attempting to use your crossbow. Serious injuries to yourself or others, damage to your crossbow, or poor performance from your crossbow could result from failure to thoroughly read and understand the instructions. Crossbows should only be used by those who are properly trained in safety or under the supervision of a qualified instructor.
- This is a high powered crossbow intended to be used by those who are 18 years of age and over.
- Purchasers and users should obey and follow all federal, state, and local laws and restrictions regarding the ownership and use of crossbows.
- **FEED YOUR CROSSBOW PROPERLY!** Use the bolts that are specifically designed for this crossbow. Usage of any other bolts may void the warranty service. **Bolts of improper stiffness, size, weight or length may cause damage to the crossbow and possibly causing personal injury.**

↓ How to use the R-SERIES stringer to change a string

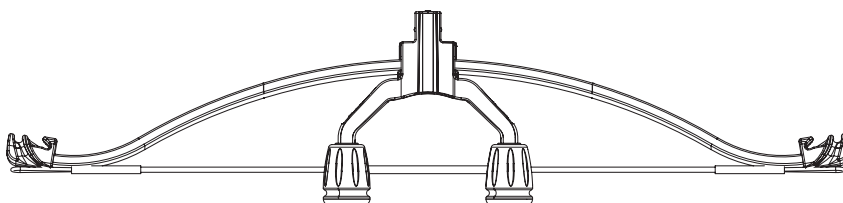


Parts of the crossbow:

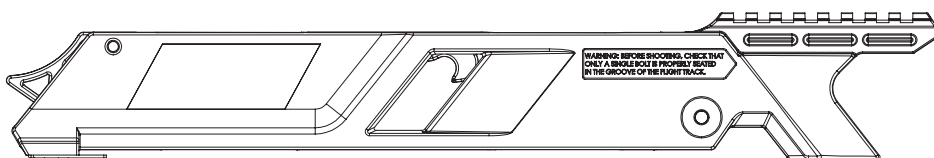
Main body



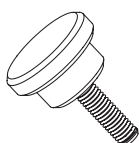
Pre-strung limb set



Magazine



Locking Knob

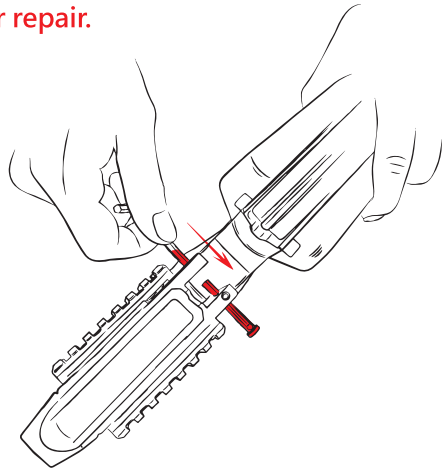
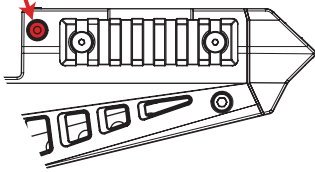


Assembly Guide

- A** Locate the quick release pin on the right side of the main body. Using a pen, nail, or bolt tip push the quick release pin in until it comes out the other side. Grab and pull the pin out until it stops.

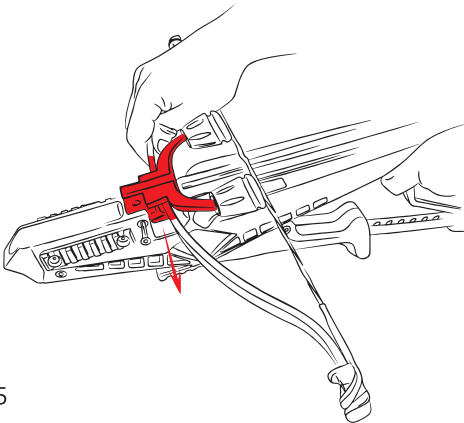
IMPORTANT: The R-Series' Quick Locking Pins are not intended to be removed from the frame. Do not pull the pin using excessive force when assembling or disassembling the limb set or stock unit. If the Quick Locking Pin is stuck or comes out, send your R-Series Crossbow to a certified Ek Service Center for repair.

Limb quick release pin

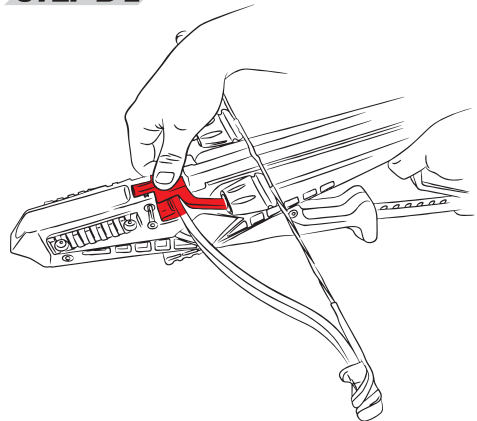


- B** Slide the limb set into the limb slot and press it gently and firmly into place.

STEP B-1

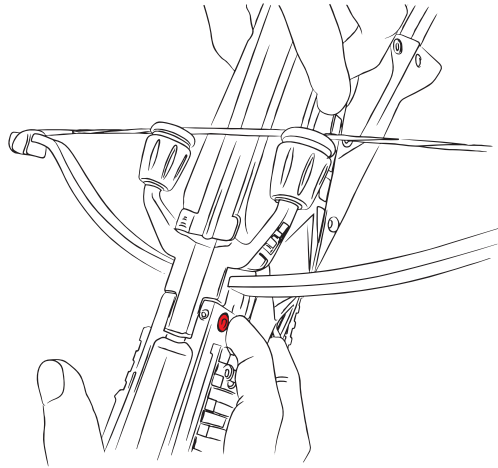


STEP B-2



C

Push the quick release pin through the limb set until you hear a 'click' sound. Only when the quick release pin is completely locked back into position, is the limb set safely secured and ready to be cocked. (If the quick release pin does not easily go through the limb set, then the limb set is not properly seated in the limb slot.)

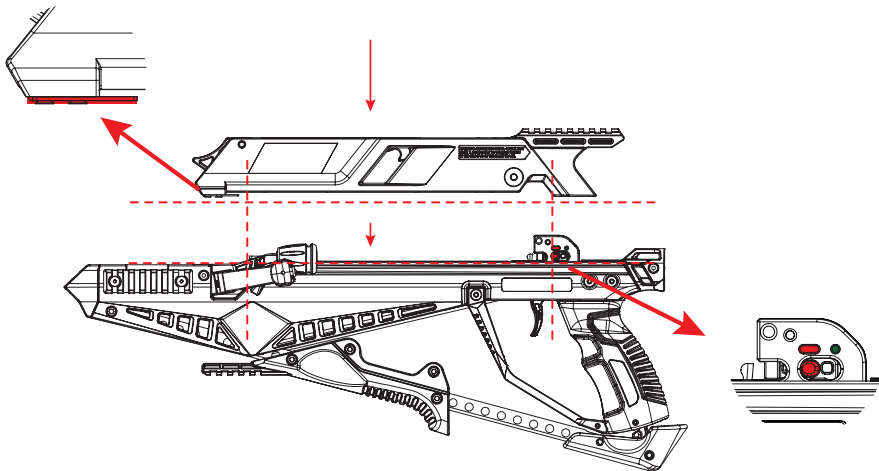
**D**

Magazine Assembly:

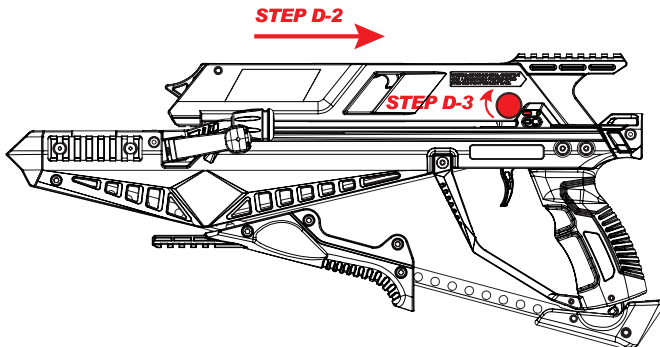
TO AVOID DAMAGING THE CROSSBOW READ THIS FIRST : Before installing the magazine on top of the crossbow, understand the hardware that connects the magazine to the flight track. The front end of the magazine is held in place by a pair of flat pins on the underside that slide under a yoke bracket on the flight track. The rear end of the magazine is held in place by a threaded knob that screws into the top of firing mechanism. **IMPORTANT:** When connecting or removing the magazine from the crossbow **NEVER** pull the magazine up at an acute angle and bend the flat pins. **ALWAYS** slide the magazine forward or backward. **NEVER** cross thread the locking knob. **ALWAYS** insert and seat the locking knob cleanly before tightening it down. Inspect the magazine for any damage and contact EK representative if you have any questions.

StepD-1 : Set the trigger switch to FIRE. Orient the magazine over the top of the crossbow. **StepD-2 :** Noticing the two flat pins on the front bottom of the magazine, carefully slide the magazine backwards. The flat pins should easily slide under the yoke bracket giving the magazine a solid connection. **StepD-3 :** If Step Two has been performed correctly, the hole in the rear end of the magazine and should perfectly align with the threaded hole in the crossbow body allowing the insertion and tightening of the locking knob to complete the assembly.

STEP D-1

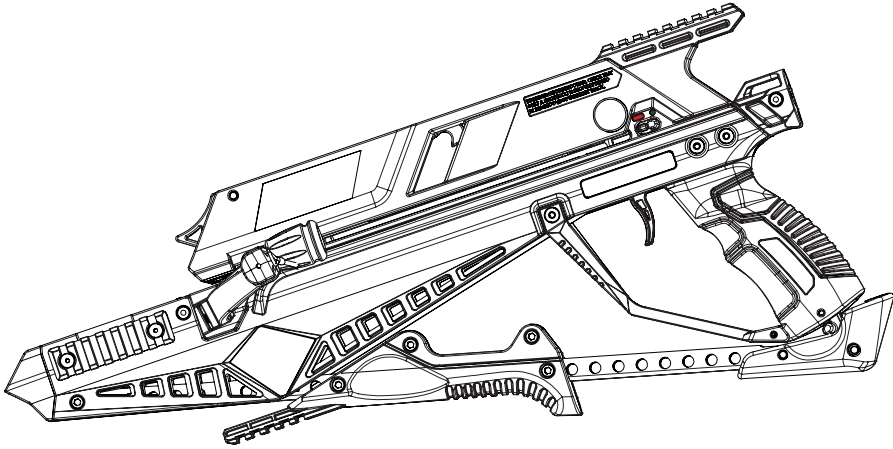


STEP D-2~3





Assembly completed.



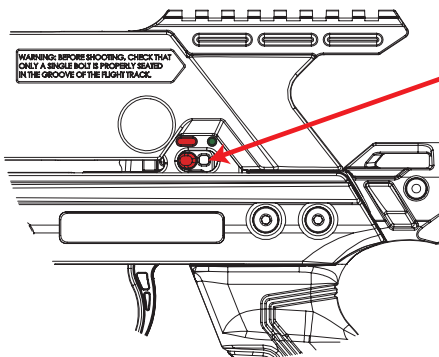
Operation Guide

Before using your R-Series Crossbow for first the time, thoroughly wax the string. To maintain the string's life, keep it waxed.

Important Note:

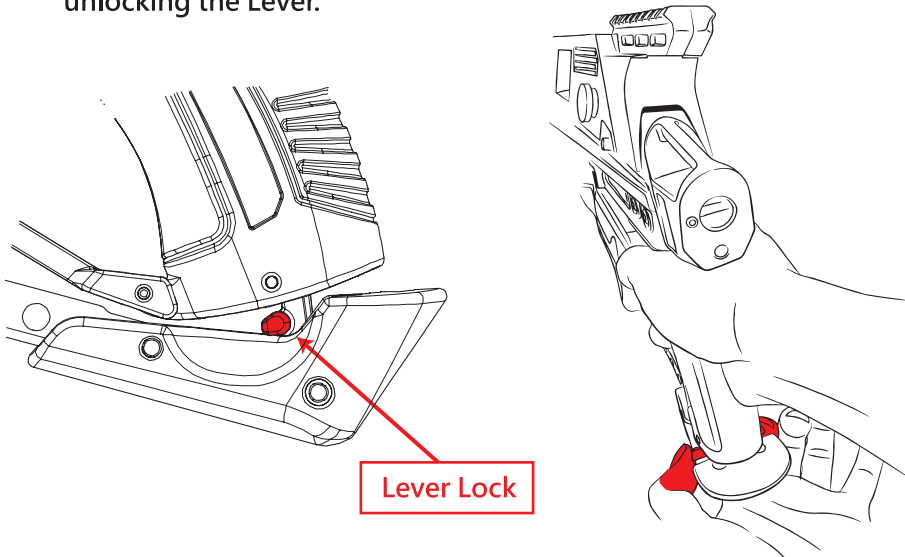
1. Familiarize yourself with the cocking mechanism before loading five bolts into the magazine.
2. R-SERIES crossbows can only be loaded with specific bolts designed and manufactured by EK-Archery.
3. Never attempt to modify any part of the crossbow or overload the magazine. Damage caused by improper loading will void your warranty immediately.
4. Always inspect bolts for damage or irregular wear. Do not use bolts that have damaged shafts, nocks or vanes.
5. Never attempt to manually disengage the built-in anti-dry fire lever and only load the magazine with EK R-SERIES bolts.

- 1** To cock the crossbow, slide the safety forward into the Fire (red) position.

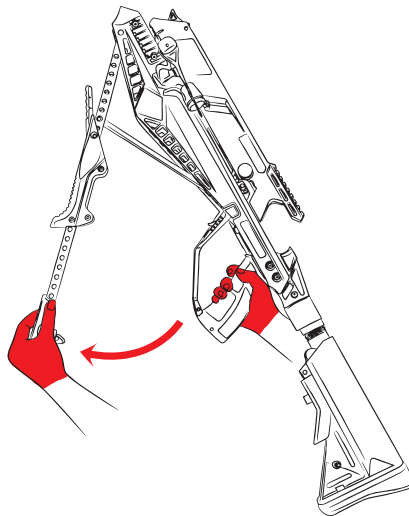


Safety in red "Fire" position.

- 2** Grab the Lever Lock with your thumb and pointer finger and pull the Lock backwards to release it from its housing in the base of the grip. Practice this movement a few times to get a feel for locking and unlocking the Lever.



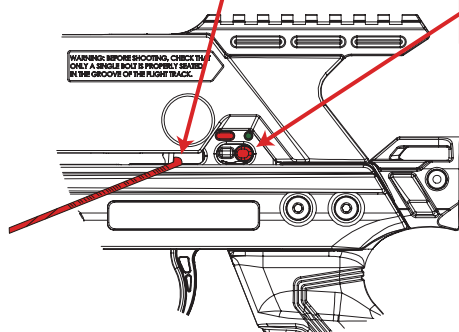
- 3** After the Lever Lock is released, swing the Lever forward until you can see the trigger assembly slide forward to hook the string behind the Trigger Latch. This action does not require much labor. Do not use too much power.



- 4** The string is correctly retained by the Trigger Latch. Note that the Safety has automatically slid backwards into the Safe position (green). Always inspect the tightness of the locking knob before loading the bolts into the magazine.

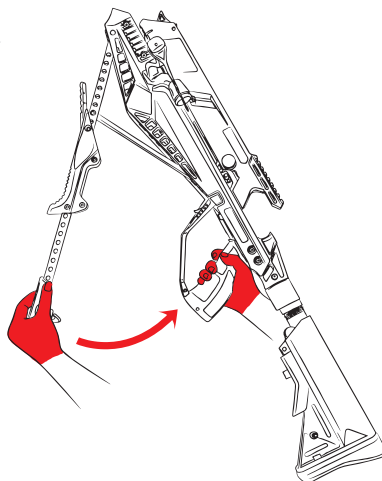
The string is correctly retained by the Trigger Latch.

The safety is in the green Safe position.

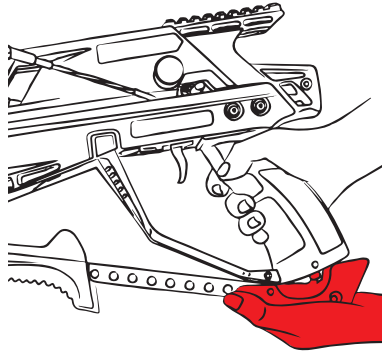


- 5** Firmly and evenly pull the Lever straight back to relock the Lever and complete the cocking of the crossbow. The Lever Lock should solidly engage the pistol grip with an audible click. (If the Lever Lock will not relock do not attempt to cock or fire the crossbow.)

STEP 5-1



STEP 5-2



NOTE:

When cocking the crossbow you will meet resistance as the string draws the limbs back into the firing position. Learn to use the appropriate amount of power to cock the crossbow.

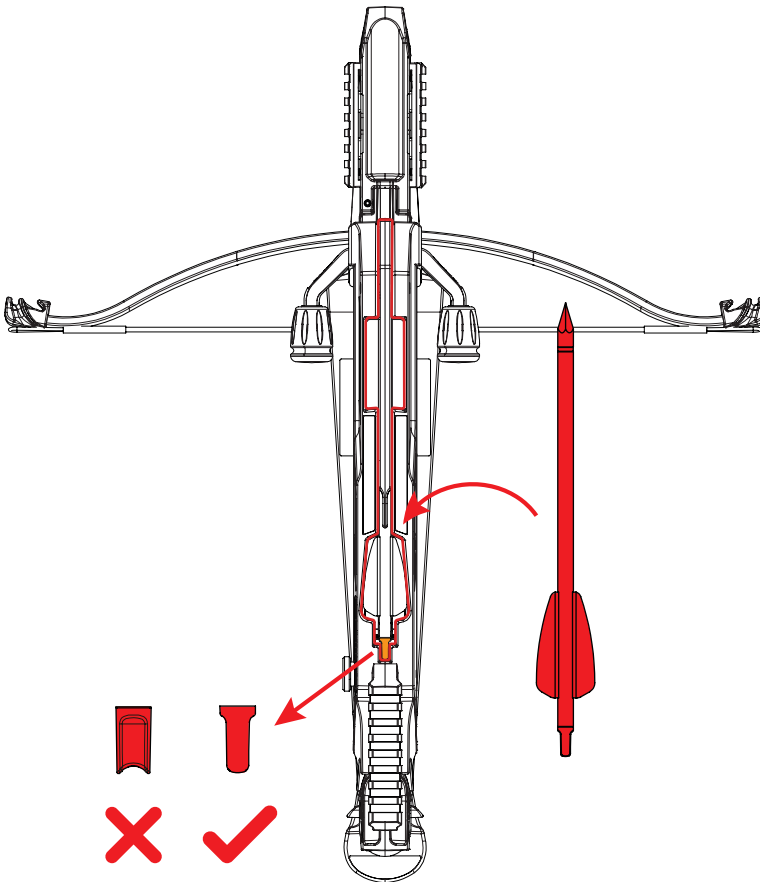
WARNING: ALWAYS CYCLE THE COCKING LEVER COMPLETELY! MAKE SURE THE COCKING LEVER IS SOLIDLY LOCKED INTO THE GRIP SHOOTING.

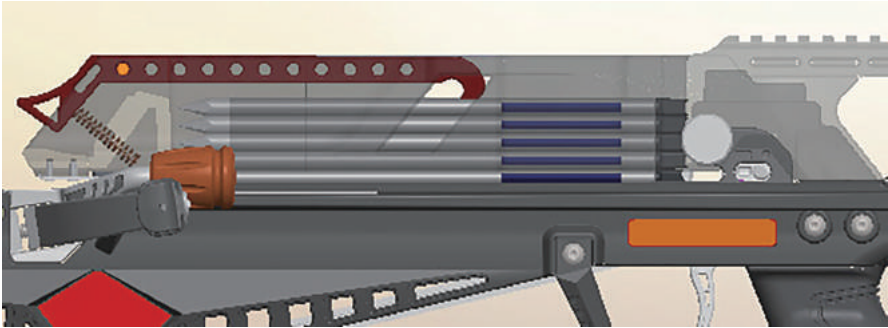
Loading the bolt and shooting

The R-SEIRES magazine is designed to load maximum number of five bolts that came with the kit. The magazine is designed specifically for loading R-SERIES bolts. NEVER attempt to load more than five EK R-SERIES bolts.

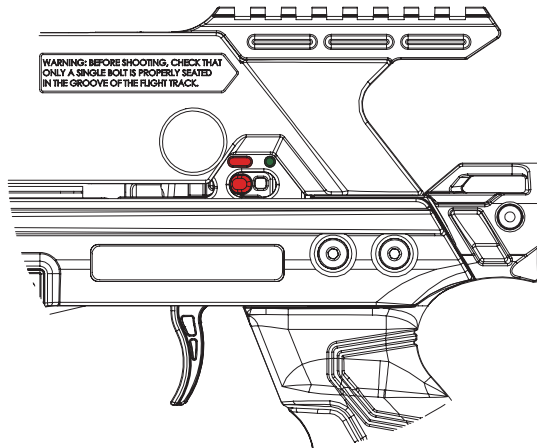
A Loading Bolts

Load one bolt at a time into the magazine making sure that the bolts are aligned and stacked properly with the flight track in the horizontal position.





B Now it is time to Shoot! Slide the Safety forward into the Fire Position (Red). Aim and squeeze the trigger. Repeat!

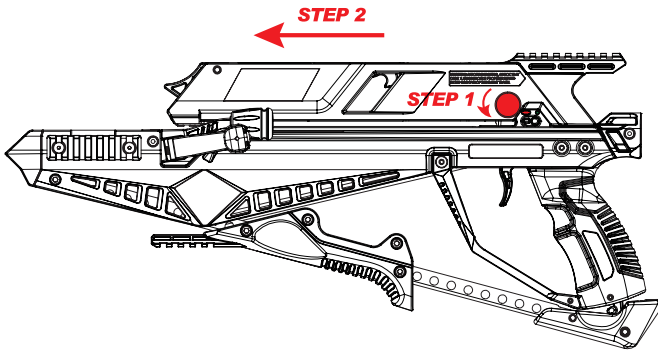


To disassemble R-Series Crossbow

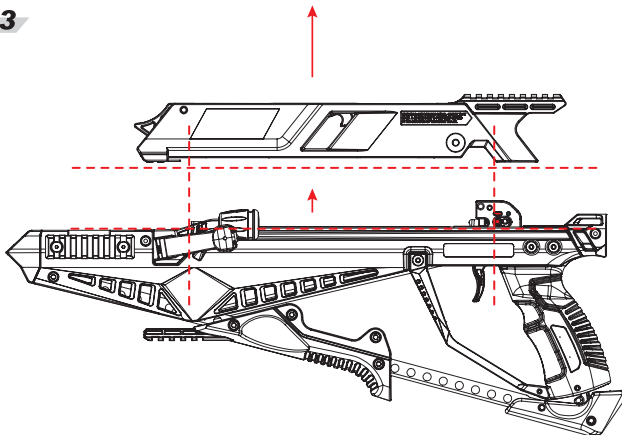
Removing the magazine :

First of all, make sure that the crossbow is not cocked and the bolt chamber is empty. **Step1** : Set the trigger to fire and untighten and remove the locking knob. **Step2** : Slide the magazine forward and horizontally. DO NOT tilt the rear end of the magazine upwards at an acute angle, as this will damage the magazine's hardware. Slide forward until the two flat pins on the bottom of the magazine disengage the yoke bracket of the flight track. **Step3** : Lift the magazine away from the crossbow body. **NEVER attempt to fire the R-SERIES without a magazine. Firing WITHOUT a magazine will immediately void the warranty.**

STEP 1~2

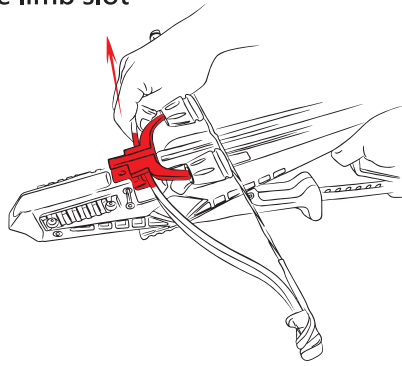
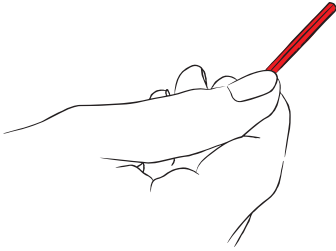


STEP 3



Removing the limb set :

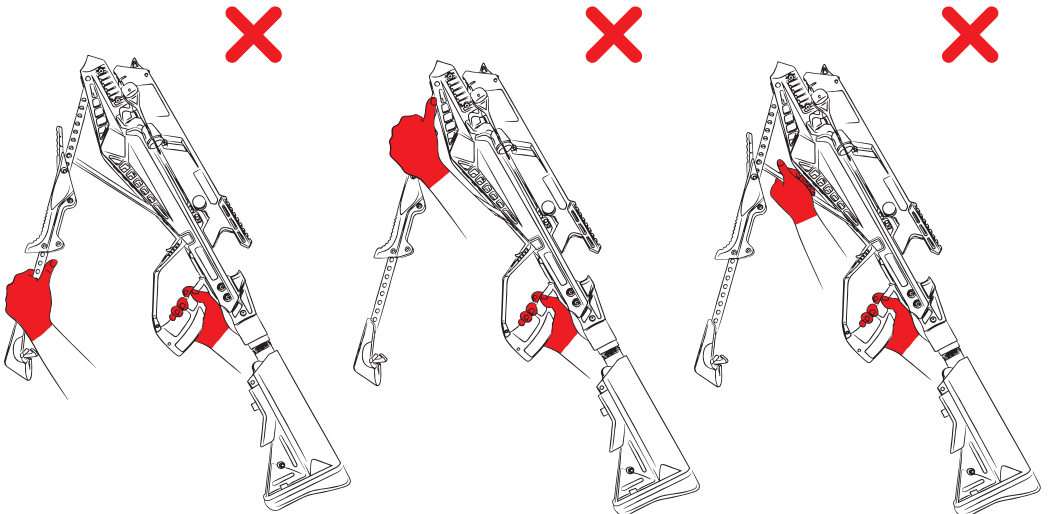
Push out the limb set's quick release pin with a pen, nail, or bolt tip until it comes out on the other side. Grab and pull the pin out until it stops. You then can remove the limb set from the limb slot



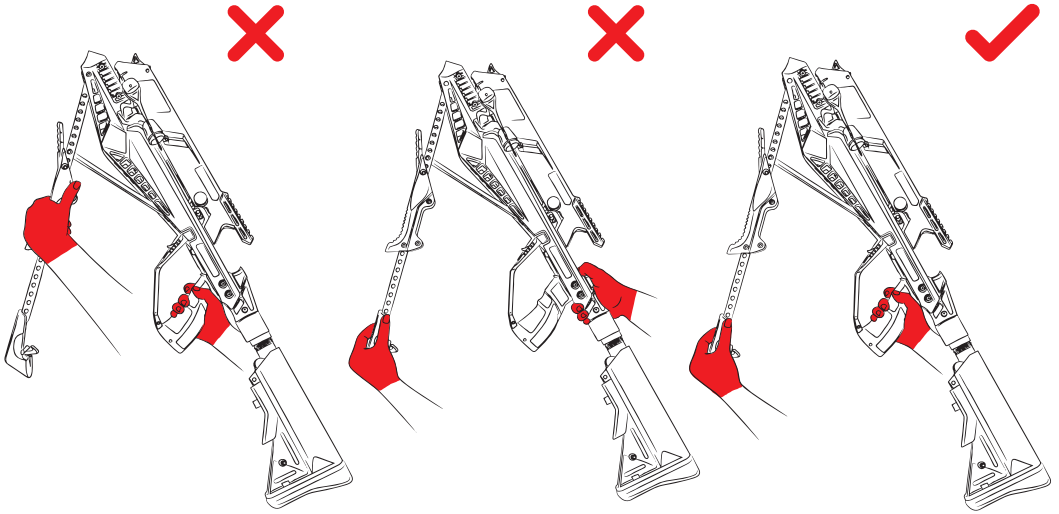
WARNING :

To avoid any injuries to yourself or others, or damage to your crossbow, the following safety instructions should be followed at all times. Understand the following images of common incorrect crossbow operations.

Incorrect hand (fingers) position during cocking :



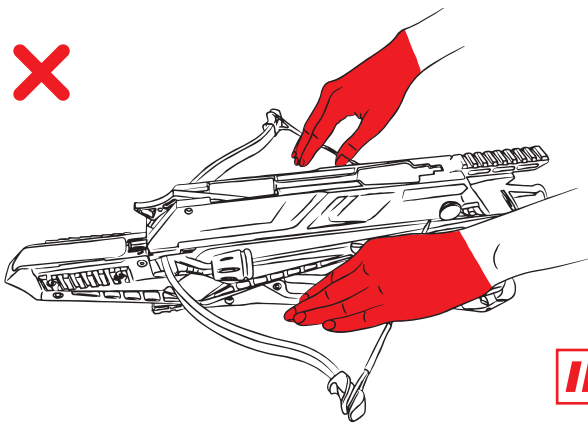
INCORRECT



INCORRECT

CORRECT

Incorrect hand (fingers) position during Shooting :



INCORRECT

Never allow your foregrip hand's fingers or thumb to move above the flight deck or into the bowstring's release path. Keep your hand and fingers in a safe position every time you cock, operate and shoot the crossbow. Placing your hands, fingers, thumbs or other body parts in the path of the bowstring will cause serious injury.

Safety Instructions

WARNING LABELS:

- Always keep hand, thumb and fingers completely below the bowstring and flight track. Failure to do so may cause serious injury. Completely read the manual before operation.
- Improper operation, including dryfiring, may cause serious injury to the bow, the shooter and/or bystanders. Periodically inspect bowstring and limbs for wear or damage.
- To operate this device safely, always cycle the cocking arm completely! Make sure the cocking arm is solidly locked into the grip before shooting.
- Use only the 7.5" EK R-SERIES bolts that are specifically designed for this crossbow. Use of incorrect bolts may result in damage to the mechanism and user.
- Inspect bolts for damage or irregular wear. Do not use bolts that have damaged shafts, nocks or vanes.
- Do not attempt to cock the crossbow without the magazine nor should you attempt to shoot the crossbow without bolts.
- Always make sure the bolts, screws and pins are securely tightened and in place before using.
- Never allow your fingers or thumb to move above the flight deck and keep them out of the path of the string while holding the fore-grip.
- Never **dry-fire** the crossbow. Shooting without a crossbow bolt is damaging to the crossbow. **Dry firing will void the warranty** and can result in damage to the limbs and string and possibly causing personal injury..
- Always inspect the crossbow equipment for worn, loose, damaged or missing parts. Replace any if missing, fraying or damaged parts are observed or suspected.
- Always point your crossbow in a safe direction and keep the crossbow out of the reach of children.
- Do not remove or deactivate your crossbow's safety features or accessories, potentially rendering the crossbow dangerous to you or others.

- Always keep all body parts clear of the bowstring's path during use.
- Always make sure the crossbow bolt is fully seated in the furthest back position to reduce possibility of dry fire.
- Replace strings if visible signs of fraying or broken strands are evident.
- Do not transport or store your crossbow while it is cocked or loaded.
- Do not attempt to use your crossbow under the influence of alcohol, prescription or non-prescription drugs.
- Always use suitable crossbow bolts. Crossbow Bolts of improper stiffness or weight may damage the limb set voiding the warranty and possibly causing personal injury.
- When practice shooting, wear eye protection and be sure your range is located in a spacious area free of buildings and your target is designed for crossbow use.

Maintenance And Care

1. Apply lubewax to the string and cables liberally. Do not over lubricate the center section of the crossbow string as this may cause a buildup of lubricant in the trigger mechanism. Keep the flight track and the string serving waxed to reduce friction. Always check and replace frayed or worn strings and cables.
2. Periodically put a few drops of high quality machine oil in the trigger mechanism.
3. Always store your crossbow in a cool, dry place. Do not expose your crossbow to excessive heat such as leaving it in an automobile trunk on a hot day or storing it next to a furnace vent.
4. Before each shooting session, examine all bolts (screws), pins and fasteners. Tighten all bolts (screws) as needed.
5. Be sure to have your crossbow examined annually by a qualified crossbow dealer.
6. Do not leave your crossbow cocked for extended periods of time or overnight.

Warranty Information

Subject to the terms, conditions and limitations outlined below, we guarantee 1 year warranty service to the original purchaser for our crossbows against defects in materials and workmanship that adversely affect the crossbow's operation. However, crossbow strings, cosmetic appearance and component parts and those which are subject to a variety of conditions in normal use and considered to be consumable parts will be excluded.

This limited warranty will be void if the following occur :

- Damage is caused by dry-firing or by using underweight arrows/bolts
- The instructions in the owner's manual are not followed
- The crossbow or any of its parts or accessories are altered from their original state
- The crossbow has not been maintained properly
- Failure or damage was caused by improper calibration or by abnormal use.

Please carefully package and return the product, transportation charges pre-paid to your dealers or distributors. All accessory items must be removed from the crossbow prior to shipping. If after examining a returned product, the dealer determines that the product is not subject to this limited warranty, product repairs can be provided at then-current repair rates informed by the dealer.

Warranty Registration must be mailed within 10 days of purchase to validate the warranty.

Dealer's contact information :

Model Number/Name

Date of Purchase

Purchaser's Name

Address

City

State

Zip Code

Email

Phone Number

