

VLAD

Instructions and Safety Manual



Read and follow all safety warnings and instructions in this manual.

Retain instructions and safety manual for future reference.

TO THOSE WHO ARE ABOUT TO SHOOT, WE SALUTE YOU!

For thirty years, the team at Ek Archery Research has been devoted to the manufacturing of quality archery products. As our company matures, we continue to challenge ourselves to embrace even higher ethical standards over a wide range of issues including how our manufacturing impacts the environment, fair and conscientious trade conventions and the well-being of our end-users. We would also like to emphasize our continued advocacy of ethical hunting practices and our expectations that our products are not to be used to maliciously hurt humans, animals or property.

We ask that in Your enjoyment of our products, You would consider the privilege and duties of owning this crossbow. This is a very potent device that demands Your respect and thoughtfulness; misusing it or underestimating its potency will inevitably lead to devastating consequences for yourself, other people or nature.

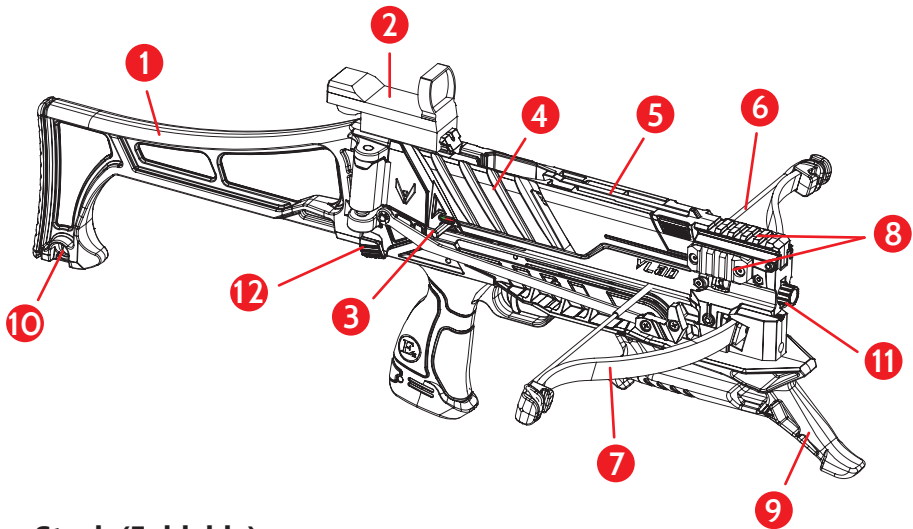
With great power comes great responsibility. We hand this crossbow over to You, with the hope that it will be operated with restraint and wisdom.

VLAD CROSSBOW INSTRUCTION MANUAL

Congratulations! You own a VLAD Pistol Crossbow! A compact, fast handling and powerful crossbow for your serious shooting enjoyment!

- The limb set comes pre-strung and is designed to be quickly attached or detached from the main body for transport and storage.
- With only a pen, nail, or bolt tip as a tool, the limb set and stock can be added or removed from the main body. With a little practice you will be able to put it together or take it apart in under ten seconds.
- Your VLAD can easily shoot good groups at 15m using the standard Red Dot sights. The bolts that come with this crossbow have high energy and deep penetration on impact. **(Therefore, shoot at appropriate target materials and at safe distances. Don't underestimate the power of the bolts!)**
- It is necessary to practice a safe and correct form when operating the cocking arm and safety mechanism. **(Learn how to correctly cycle the VLAD Crossbow before trying to shoot proficiently.)** Otherwise, you can seriously harm yourself and cause your crossbow to have a short and sad service life.

Crossbow Diagram



1. Stock (Foldable)
2. Aluminum Red Dot Sight
3. Trigger box with **Fire/Safe** Latch
4. 8-Bolt Detachable Magazine
5. Built-in Anti-Dry Fire Mechanism
6. String
7. Limb
8. Picatinny Rail (Mounting optional accessories)
9. Foregrip
10. Sling mount
11. Plastic Tube (Optional Laser Installation)
12. Lever Lock

Deluxe Package Includes :

- 16 x 6.5" Aluminum Bolts
- 2 x Front end (60Lbs & 90Lbs)
- 1 x Aluminum Red Dot Sight
- 1 x Quick Loader
- 1 x Stringer
- 1 x Spare String
- 1 x Safety Glasses
- 1 x String Wax

READ THIS BEFORE YOU REMOVE THE STRING WARNING LABEL. BY REMOVING THE STRING WARNING LABEL, YOU HAVE READ AND FULLY UNDERSTAND HOW TO SAFELY OPERATE YOUR VLAD PISTOL CROSSBOW.

DON'T LET ITS SIZE FOOL YOU! THE VLAD PISTOL CROSSBOW IS A POWERFUL AND DANGEROUS DEVICE THAT WILL BITE YOU AND HARM OTHERS IF YOU UNDERESTIMATE IT OR DISREPECT IT. YOU HAVE BEEN WARNED!

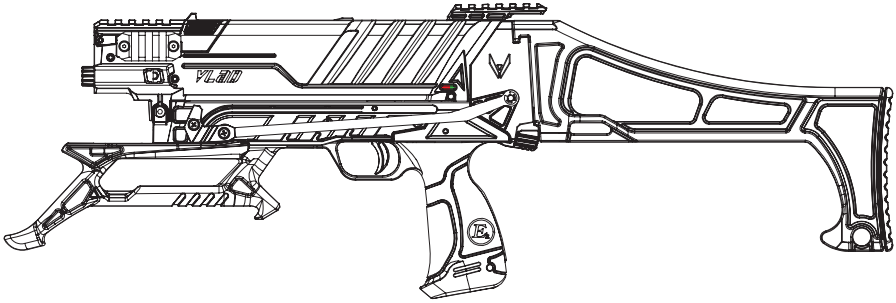
Your VLAD Pistol Crossbow will reward you with a lot of shooting fun IF you read through the following instructions thoroughly.

EVEN MORE WARNINGS THAT YOU SHOULD READ:

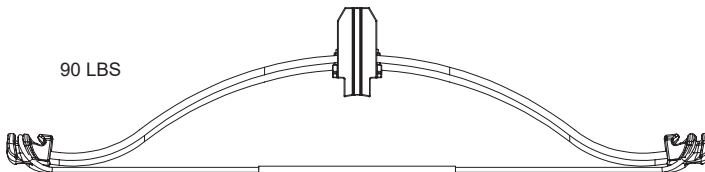
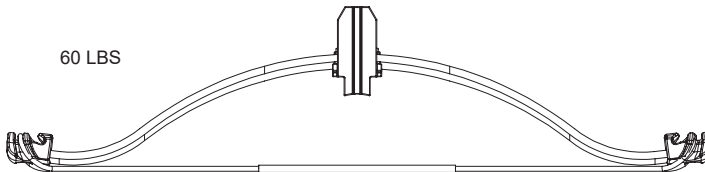
- Obviously, this is not a toy and adult supervision is required. Misuse or careless use may cause serious injury, death or terrible lawsuits. Use common sense.
- It is extremely important to read and follow these instructions before attempting to use your crossbow. Serious injuries to yourself or others, damage to your crossbow, or poor performance from your crossbow could result from failure to thoroughly read and understand the instructions. Crossbows should only be used by those who are properly trained in safety or under the supervision of a qualified instructor.
- This is a high powered crossbow intended to be used by those who are 18 years of age and over.
- Purchasers and users should obey and follow all federal, state, and local laws and restrictions regarding the ownership and use of crossbows.
- **FEED YOUR CROSSBOW PROPERLY!** Use the bolts that are specifically designed for this crossbow. Usage of any other bolts may void the warranty service. **Bolts of improper stiffness, size, weight or length may cause damage to the crossbow and possibly cause personal injury.**

Parts of the crossbow:

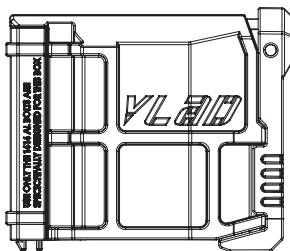
Main body



Pre-strung Limb Set



Quick Loader



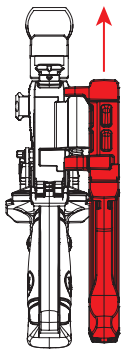
Assembly Guide

A *Folding Stock*

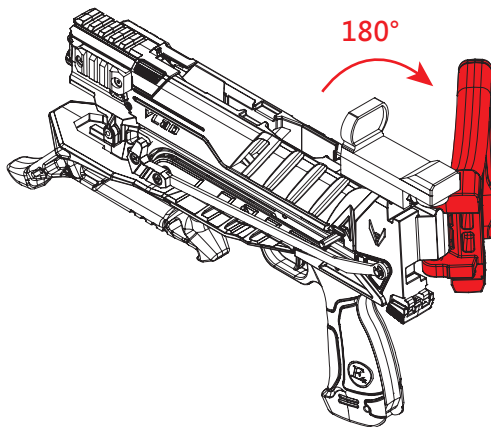
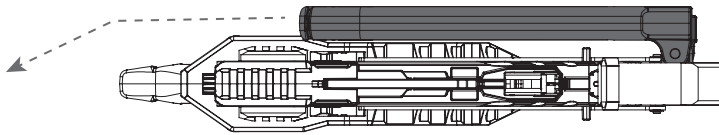
Step A-1 Hold the Stock and lift it up.

Step A-2 Fold the Stock against the frame of the VLAD and it will lock into place.

WARNING: Please keep your fingers out of the hinge point of the stock to avoid finger injury.

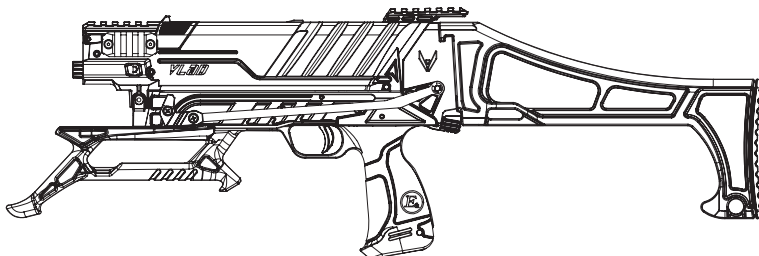


STEP A-1



STEP A-2

Assembly Completed.

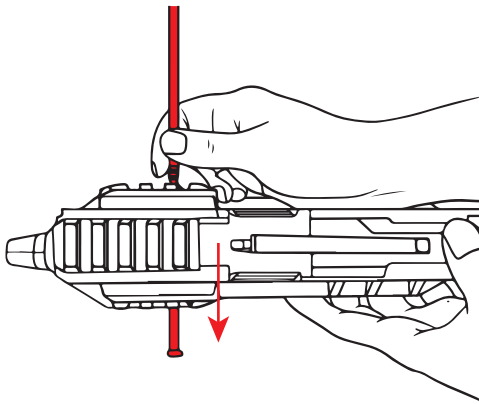


B *Limb set assembly*

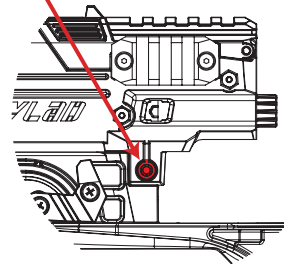
Step B-1~B-2 Locate the Quick Locking Pin on the right side of the main body. Using a pen, nail, or bolt tip push the Quick Locking Pin inwards until it comes out from the other side. Pull the pin out until it stops and lift up the magazine.

IMPORTANT: The VLAD Quick Locking Pins are not intended to be removed from the frame. Do not pull the pin using excessive force when assembling or disassembling the limb set or stock unit. If the Quick Locking Pin is stuck or comes out, send your VLAD Pistol Crossbow to a certified Ek Service Center for repair.

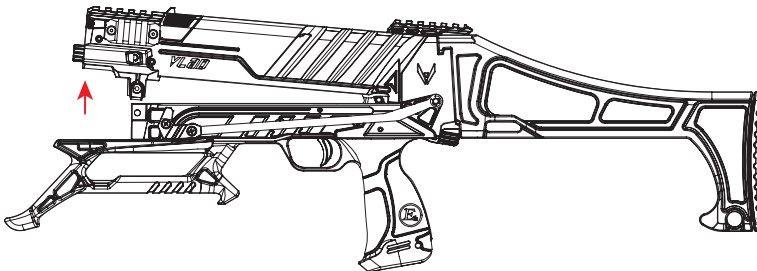
STEP B-1



Quick Locking Pin



STEP B-2



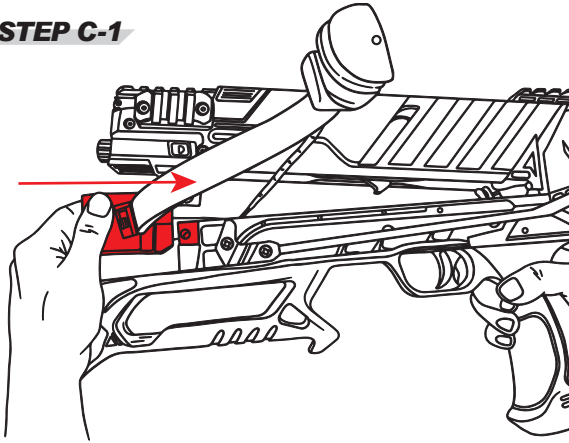
C

Step C-1 Slide the Limb Set into the Limb Slot.

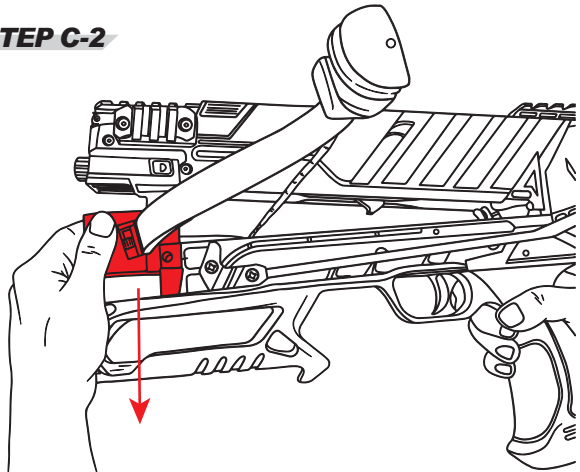
Step C-2 Press it gently and firmly into place.

Step C-3 Push down the magazine and make sure it is completely seated into the lower receiver.

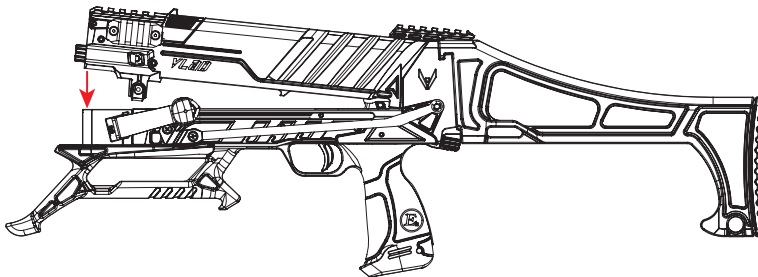
STEP C-1



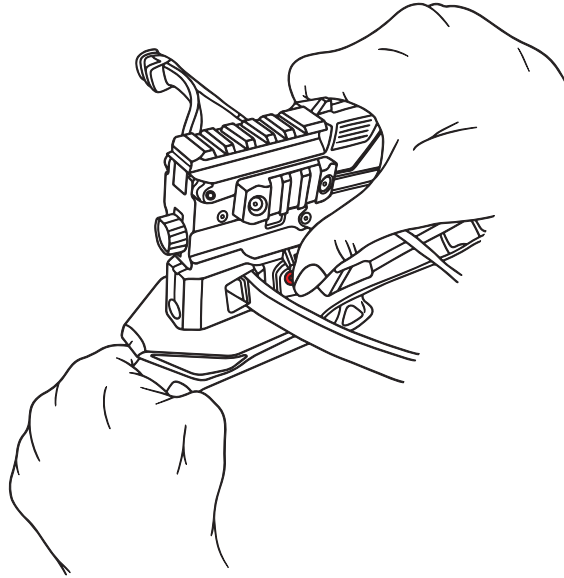
STEP C-2



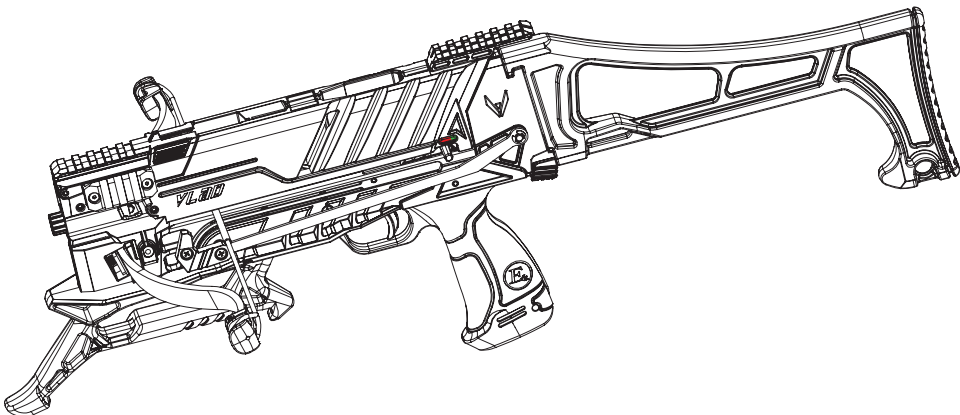
STEP C-3



- D** Push the Quick Locking Pin through the Limb Set until you hear a "click" sound. Only when the Quick Locking Pin is completely locked back into position, is the Limb Set safely secured. (If the Quick Locking Pin does not easily go through the Limb Set, then the Limb Set is not properly seated in the Limb Slot of the VLAD's frame.)



- E** Assembly Completed.



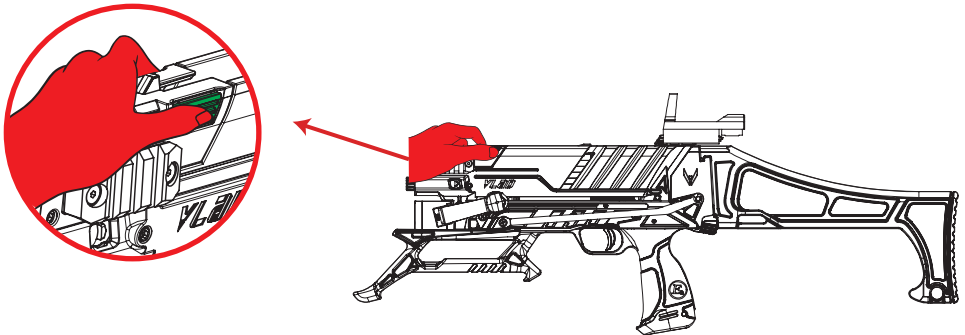
Loading the Magazine and Shooting

The Vlad's Magazine and the Quick Loader can accommodate up to 8 bolts. This magazine is designed for use only with the VLAD crossbow and is intended to be used with the VLAD's specialized crossbow bolts.

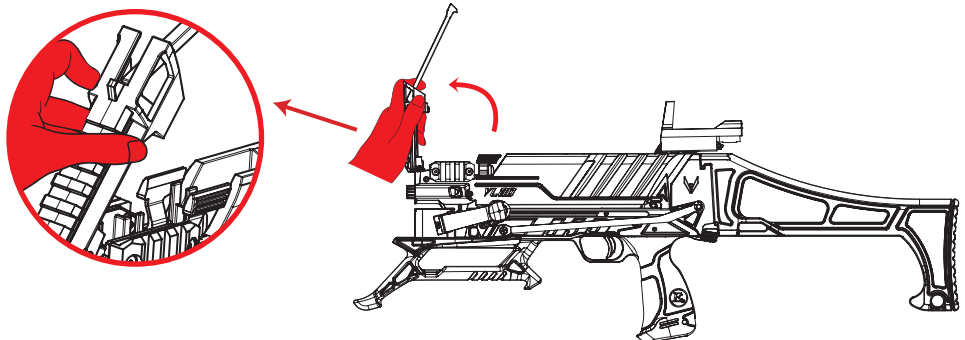
1 Loading Bolts

Step 1-1~1-2 Open the Magazine's top cover by pressing both spring buttons. Raise the top cover into the loading position.

STEP 1-1



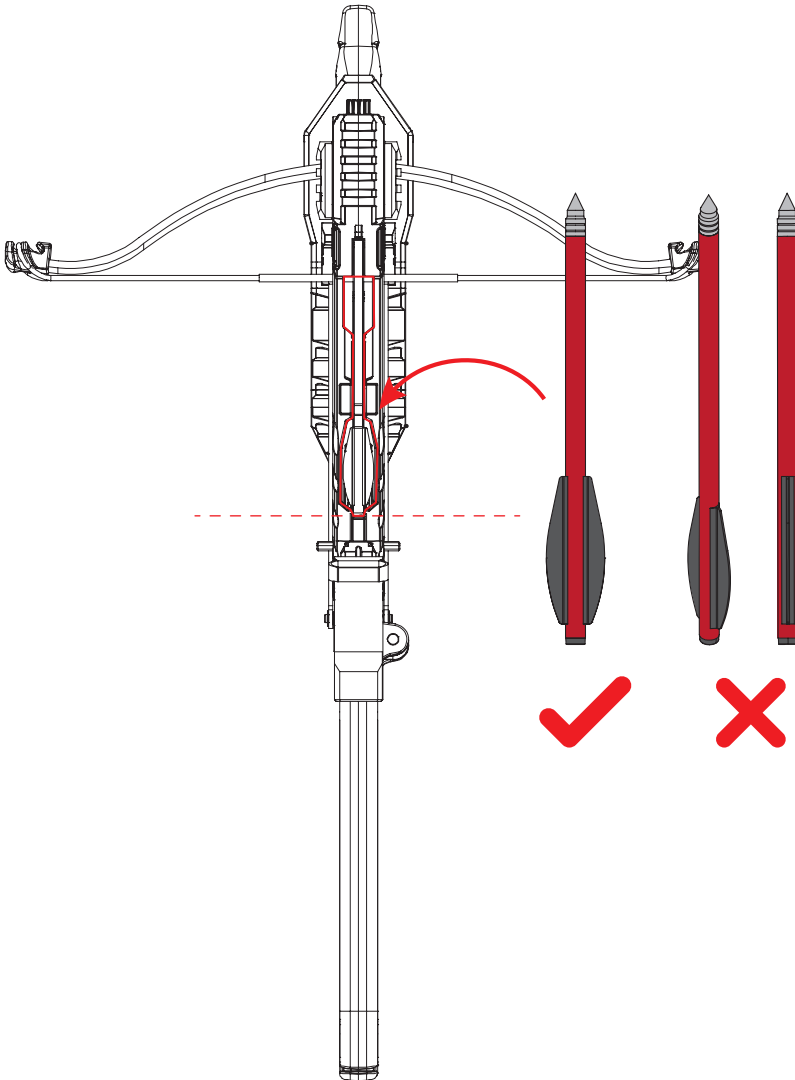
STEP 1-2



2

Loading Bolts

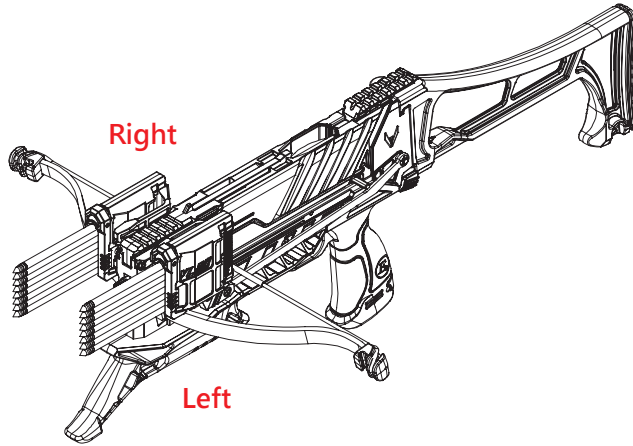
Load only one bolt at the time into the magazine and make sure the bolt is placed flat with the crossbow bolt's vanes in the horizontal position.



3 Quick Loading Quiver Mounting Clip

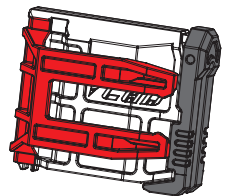
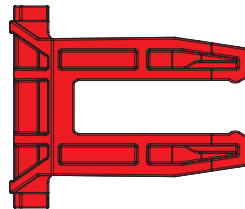
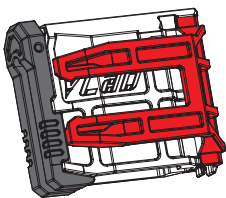
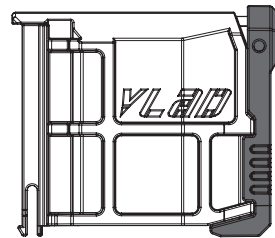
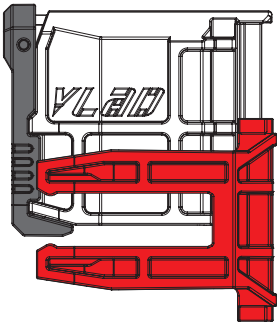
The VLAD's Quick Loader is designed to clip onto the forward picatinny rails at the front of magazine. The mounting clips can be slid onto either side of the Quick Loader.

NOTE : Please make sure the mounting clips are firmly slid into place as shown by illustrations 3-1 and 3-2.



STEP 3-1 Right side mount

STEP 3-2 Left side mount



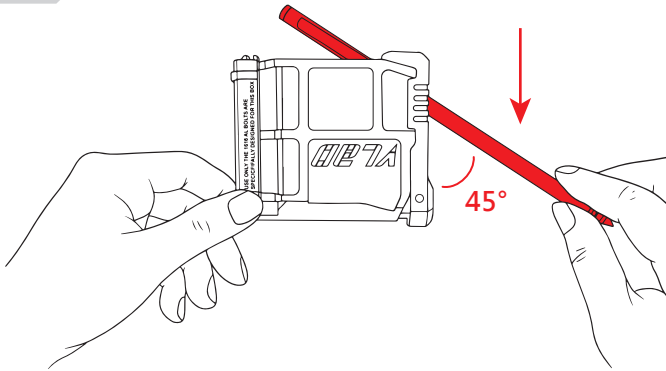
4

Putting Bolts into the Quick Loader

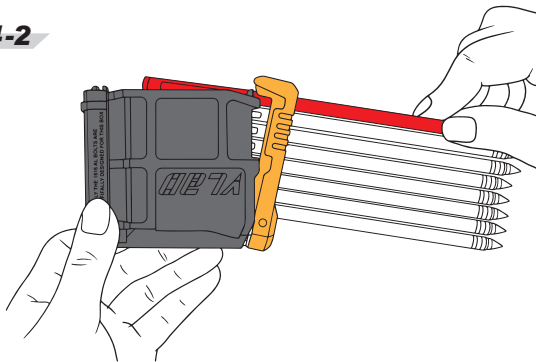
Step 4-1 With the Quick Loader in the upside down position, load one bolt at the time at a 45 degree angle and keeping the vanes horizontal

Step 4-2 To load the final bolt, drag the bolt forward to open the Quicker Loader's retention latch and slip the eighth bolt in.

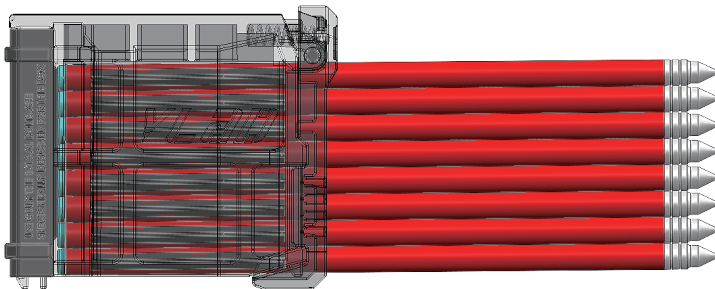
STEP 4-1



STEP 4-2



Fully Loaded Quick Loader.



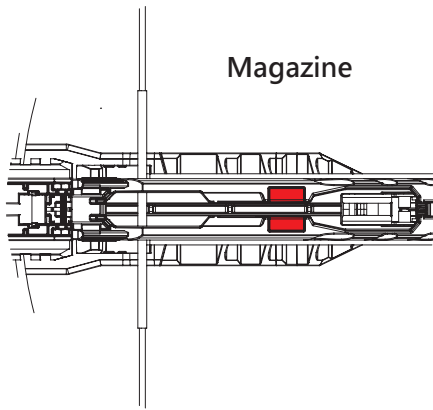
5

To use the Quick Loader, first open the Magazine's cover (See P9)

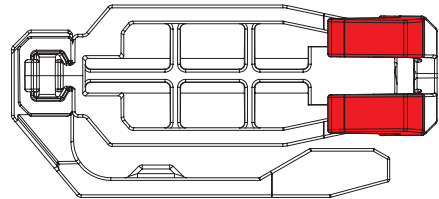
Step 5-1 Find the slot in the top of the Magazine that accomodates the bottom of the Quick Loader.

Step 5-2 Press the Quick Loader's retention latch into the slot. By sliding the Quick Loader backwards, the retention latch will open allowing the bolts to drop into the magazine. With practice, your reload time will become lighting fast!

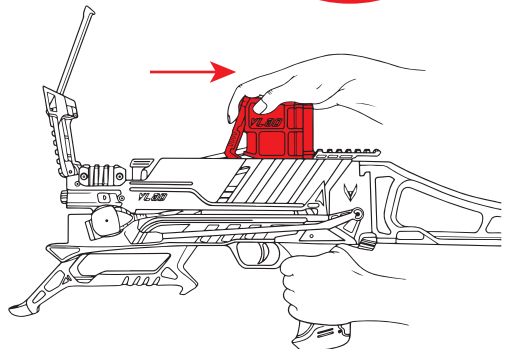
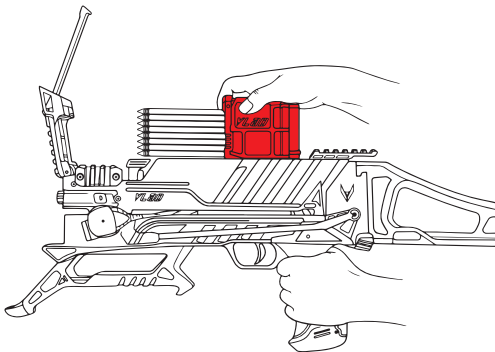
STEP 5-1



Bottom of Quick Loader :
Retention Latch

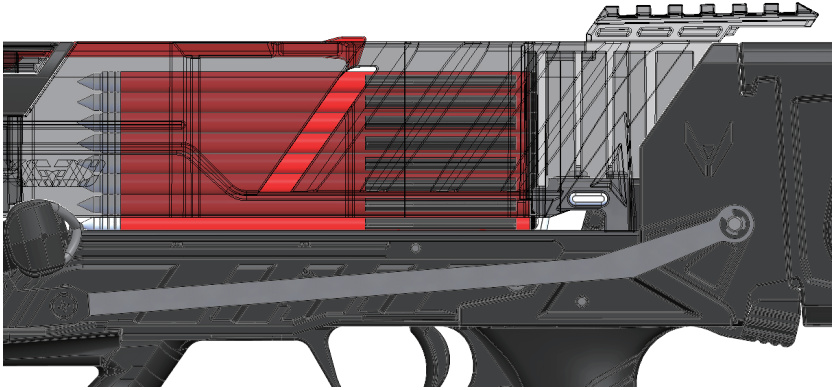


STEP 5-2



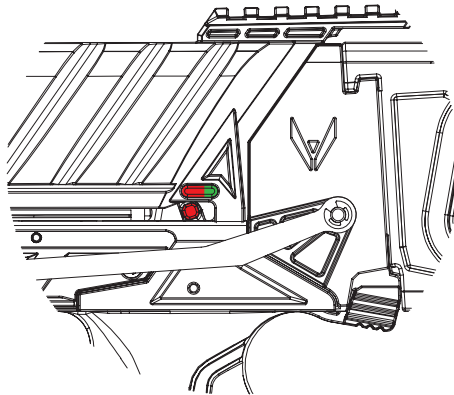
NOTE:

Make sure to close the top of magazine properly after loading the bolts.



6

The VLAD has a automatic safety that engages everytime the VLAD is cycled. To shoot the VLAD, keep your finger off the trigger and then slide the Safety forward from the Safe Position (Green) into the Fire Position (Red). Don't release the safety until you are ready to shoot.



Operation Guide

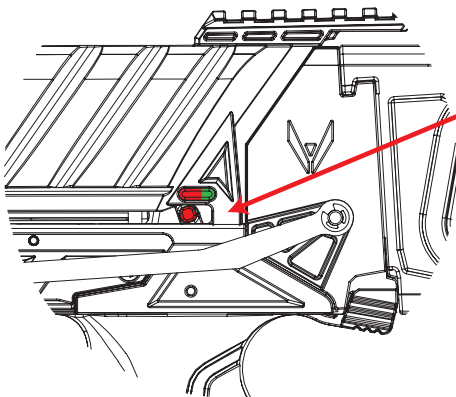
Before using your VLAD Pistol Crossbow, make sure to wax the string properly. To reduce fraying and wear, apply a small amount of wax every 15 shots is recommended.

Important Note:

1. Familiarize yourself with the cocking mechanism before loading eight bolts into the magazine.
2. VLAD Pistol Crossbows can only be loaded with specific bolts designed and manufactured by EK-Archery.
3. Never attempt to modify any part of the crossbow or overload the magazine. Damage caused by improper loading will void your warranty immediately.
4. Always inspect bolts for damage or irregular wear. Do not use bolts that have damaged shafts, nocks or vanes.
5. Never attempt to manually disengage the built-in anti-dry fire lever and only load the magazine with EK VLAD bolts.

A

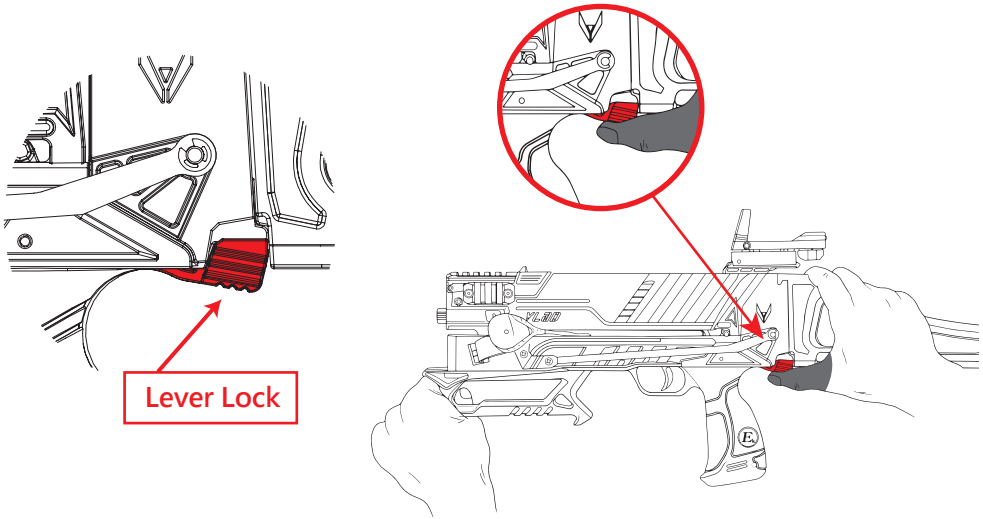
Now you are ready to cycle your VLAD and start shooting. Slide the safety switch forward into the Fire (red) position before cocking your crossbow.



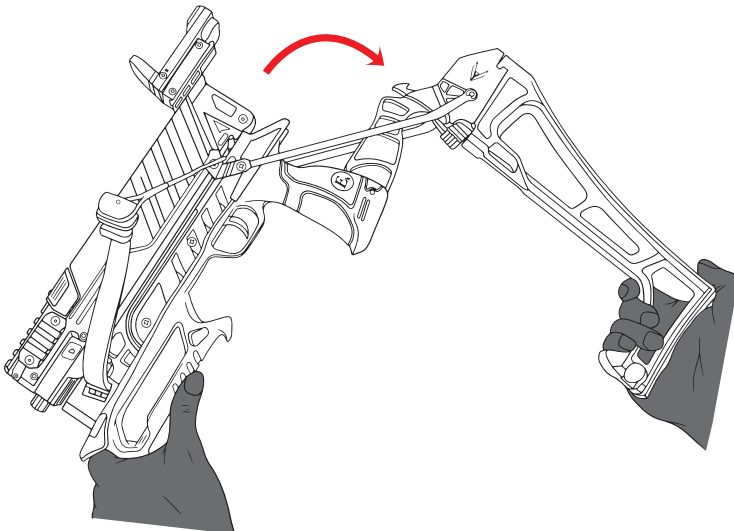
Safety in the red
"Fire" position.

B

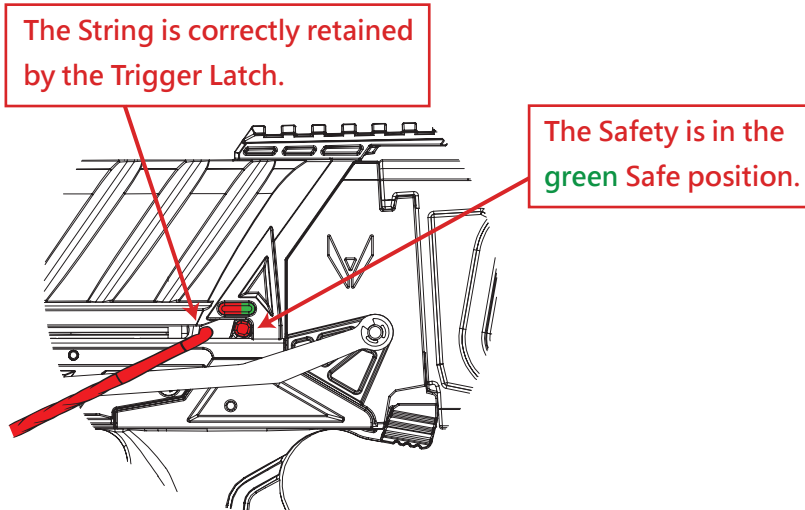
Hold the foregrip and press down the Lever Lock with your thumb.

**C**

With a smooth and firm action, rotate the stock downwards, cocking the Vlad. There must be an audible "click" indicating the string is retained.

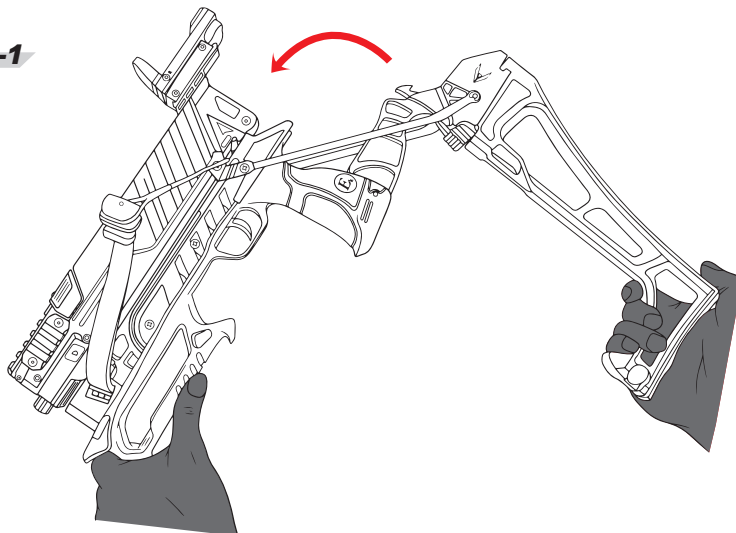


D Note that the string is correctly retained by the Trigger Latch and the Safety has automatically slid backwards into the Safe position (green).

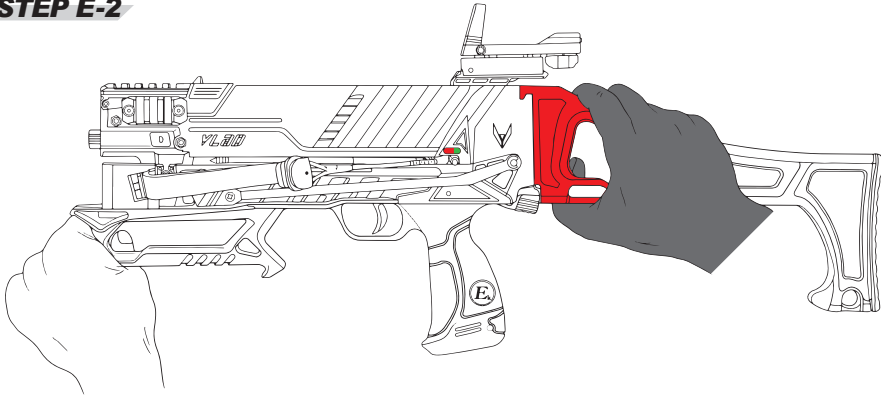


E Firmly and evenly push the stock upwards to reengage the Lever Lock. (There must be an audible "click" to indicate the Lever Lock has engaged.) (WARNING! If the Lever Lock will not relock, do not attempt to cock or fire the crossbow.)

STEP E-1



STEP E-2



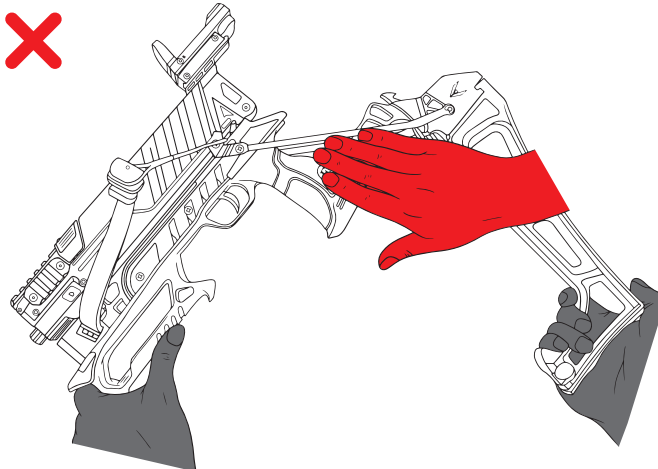
NOTE :

Never allow your fingers or thumb to move above the flight deck or into the bowstring's release path. Keep your hand and fingers in a safe position every time you cock, operate and shoot the crossbow. Placing your hands, fingers, thumbs or other body parts in the path of the bowstring will cause serious injury.

WARNING :

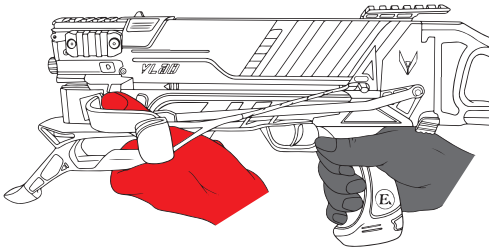
To avoid any injuries to yourself or others, or damage to your crossbow, the following safety instructions should be followed at all times. Understand the following images of common incorrect crossbow operations.

Incorrect hand (fingers) position during cocking :

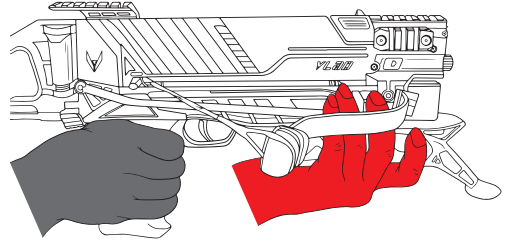


INCORRECT

Incorrect hand (fingers) position during Shooting :

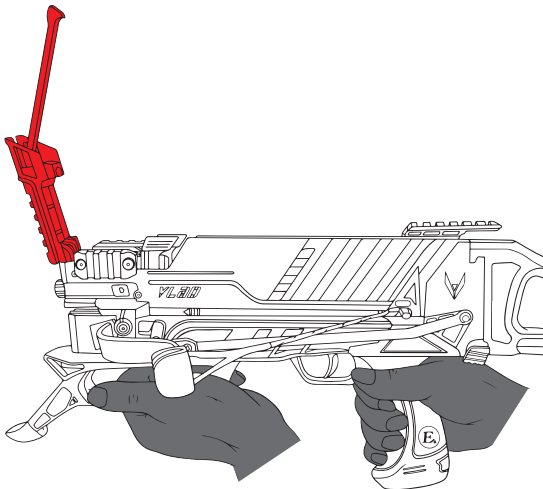


INCORRECT



INCORRECT

Never try to cock your VLAD crossbow if no bolts are loaded or the top cover is not secured with the magazine.

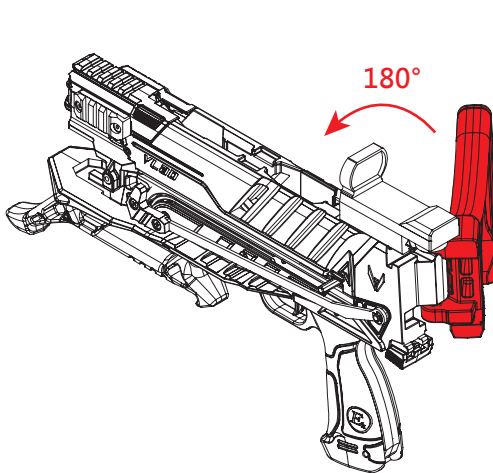
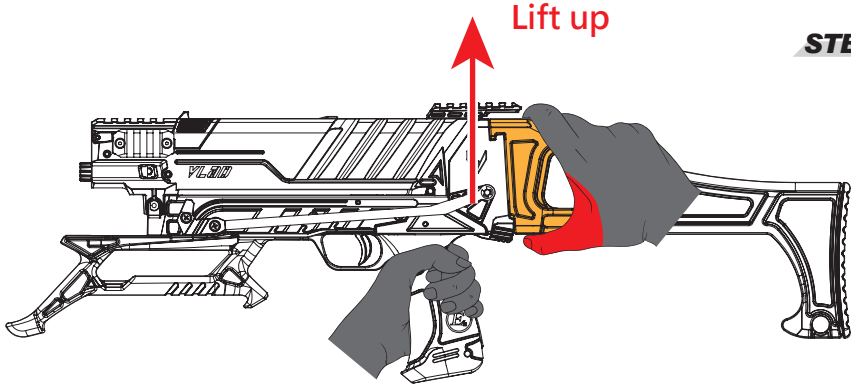


INCORRECT

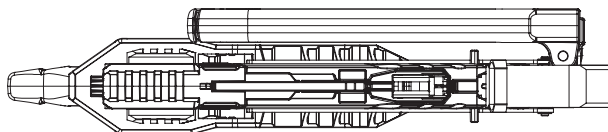
Never allow your foregrip hand's fingers or thumb to move above the flight deck or into the bowstring's release path. Keep your hand and fingers in a safe position every time you cock, operate and shoot the crossbow. Placing your hands, fingers, thumbs or other body parts in the path of the bowstring will cause serious injury.

To fold the Stock of the VLAD Pistol Crossbow

- 1 Hold the stock as pictured (close to the hinge area). Lift up the buttstock with your thumb then fold it to main body.



Folding Completed.

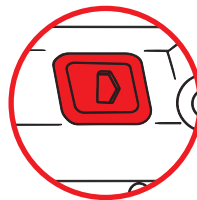
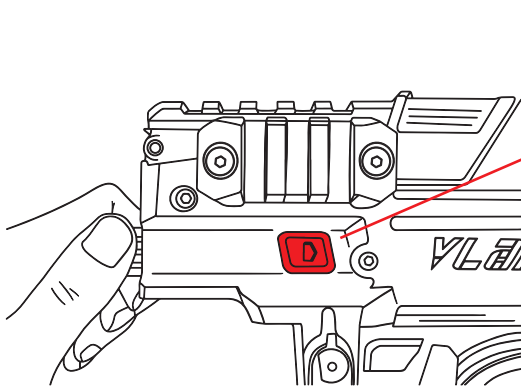
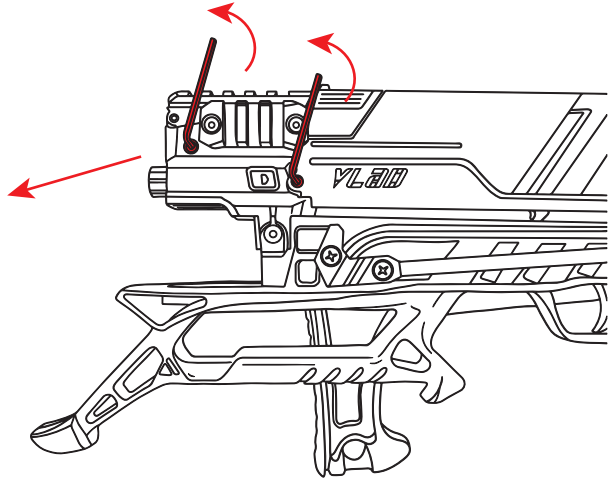
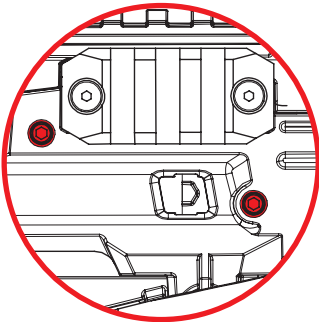


A *Optional: Installing the Laser Sight (for laser diameter: 15mm, length: 61mm)*

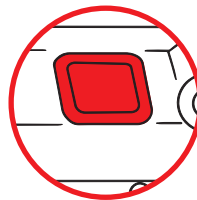
To install the Laser Sight, please remove the plastic tube by loosening two screws with the hex key in your accessory kit.

Unscrew both screws on the front with the hex key from the accessory kit.

Loosen Two Screws

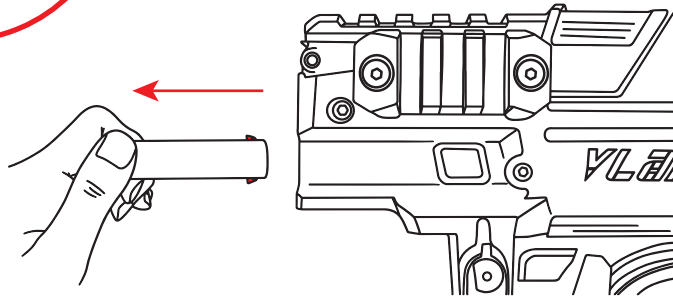
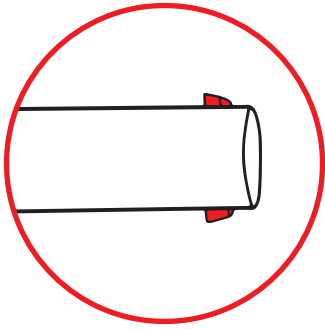


Locked



Unlocked

B Turn the hook upwards 90 degrees into the **vertical position** as indicated in the illustration then pull the plastic tube out.



Safety Instructions

WARNING LABELS:

- Always keep hand, thumb and fingers completely below the bowstring and flight track. Failure to do so may cause serious injury. Completely read the manual before operation.
- Improper operation, including dryfiring, may cause serious injury to the bow, the shooter and/or bystanders. Periodically inspect bowstring and limbs for wear or damage.
- To operate this device safely, always cycle the cocking arm completely! Make sure the cocking arm is solidly locked into the grip before shooting.
- Use only the 6.5" EK VLAD bolts that are specifically designed for this crossbow. Use of incorrect bolts may result in damage to the mechanism and user.
- A Laser sight is available for this accessory compartment. If the Laser sight is installed, be sure to never look into the laser emitter and never point the laser at anyone's eyes. The laser can cause serious eye injuries or permanent blindness. Be careful when pointing the laser at reflective surface such as mirrors, windows, or polished metal surfaces.
- Inspect bolts for damage or irregular wear. Do not use bolts that have damaged shafts, nocks or vanes.
- Do not attempt to cock the crossbow without the magazine nor should you attempt to shoot the crossbow without bolts.
- Always make sure the bolts, screws and pins are securely tightened and in place before using.
- Never allow your fingers or thumb to move above the flight deck and keep them out of the path of the string while holding the fore-grip.
- Never **dry-fire** the crossbow. Shooting without a crossbow bolt is damaging to the crossbow. **Dry firing will void the warranty** and can result in damage to the limbs and string and possibly causing personal injury.
- Always inspect the crossbow equipment for worn, loose, damaged or missing parts. Replace any if missing, fraying or damaged parts are observed or suspected.

- Always point your crossbow in a safe direction and keep the crossbow out of the reach of children.
- Do not remove or deactivate your crossbow's safety features or accessories, potentially rendering the crossbow dangerous to you or others.
- Always keep all body parts clear of the bowstring's path during use.
- Always make sure the crossbow bolt is fully seated in the furthest back position to reduce possibility of dry fire.
- Replace strings if visible signs of fraying or broken strands are evident.
- Do not transport or store your crossbow while it is cocked or loaded.
- Do not attempt to use your crossbow under the influence of alcohol, prescription or non-prescription drugs.
- Always use suitable crossbow bolts. Crossbow Bolts of improper stiffness or weight may damage the limb set voiding the warranty and possibly causing personal injury.
- When practice shooting, wear eye protection and be sure your range is located in a spacious area free of buildings and your target is designed for crossbow use.

Maintenance And Care

1. Apply lubewax to the string liberally. Do not over lubricate the center section of the crossbow string as this may cause a buildup of lubricant in the trigger mechanism. Keep the flight track and the string serving waxed to reduce friction. Always check and replace frayed or worn strings.
2. Periodically put a few drops of high quality machine oil in the trigger mechanism.
3. Always store your crossbow in a cool, dry place. Do not expose your crossbow to excessive heat such as leaving it in an automobile trunk on a hot day or storing it next to a furnace vent.

4. Before each shooting session, examine all bolts (screws), pins and fasteners. Tighten all bolts (screws) as needed.
5. Be sure to have your crossbow examined annually by a qualified crossbow dealer.
6. Do not leave your crossbow cocked for extended periods of time or overnight.

Warranty Information

Subject to the terms, conditions and limitations outlined below, we guarantee 1 year warranty service to the original purchaser for our crossbows against defects in materials and workmanship that adversely affect the crossbow's operation. However, crossbow strings, cosmetic appearance and component parts and those which are subject to a variety of conditions in normal use and considered to be consumable parts will be excluded.

This limited warranty will be void if the following occur :

- Damage is caused by dry-firing or by using underweight arrows/bolts
- The instructions in the owner's manual are not followed
- The crossbow or any of its parts or accessories are altered from their original state
- The crossbow has not been maintained properly
- Failure or damage was caused by improper calibration or by abnormal use.

Please carefully package and return the product, transportation charges pre-paid to your dealers or distributors. All accessory items must be removed from the crossbow prior to shipping. If after examining a returned product, the dealer determines that the product is not subject to this limited warranty, product repairs can be provided at then-current repair rates informed by the dealer.

Warranty Registration must be mailed within 10 days of purchase to validate the warranty.

Dealer's contact information :

Model Number/Name

Date of Purchase

Purchaser's Name

Address

City

State

Zip Code

Email

Phone Number

