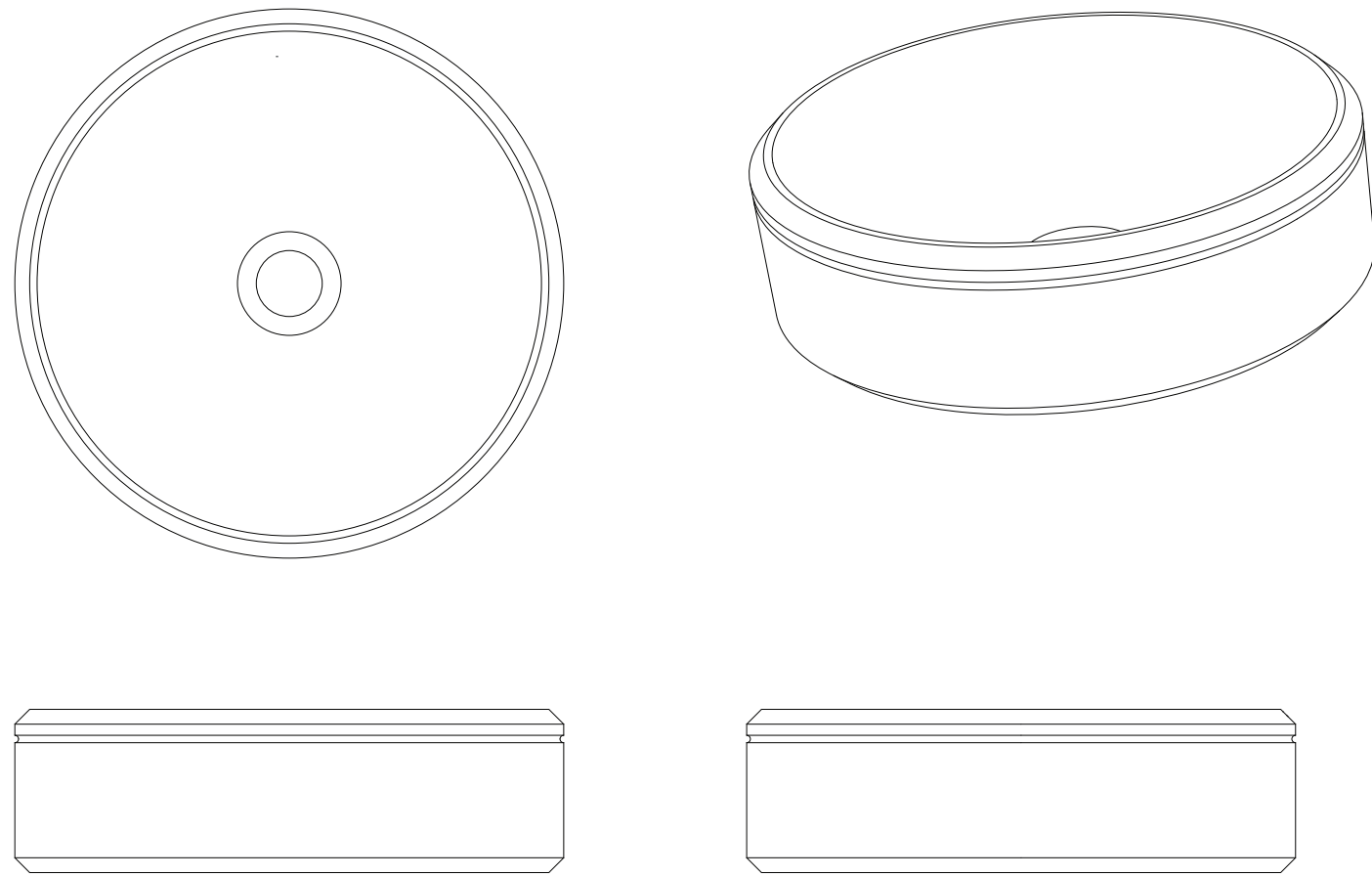


UBUD 01
Product Data Sheet

KONKRETUS



Scale 1:5

Note: Illustrative images, may vary from the real product.

Dimensions

Dimensiones

Height Altura	4" 1/4 Inches - 11 Cm 4" 1/4 Pulgadas - 11 Cm
Width Ancho	14" 1/2 Inches - 37 Cm 14" 1/2 Pulgadas - 37 Cm
Depth Profundidad	14" 1/2 Inches - 37 Cm 14" 1/2 Pulgadas - 37 Cm

Weight

Peso

26.5 Pounds - 12 Kg
26.5 Libras - 12 Kg

Material

Material

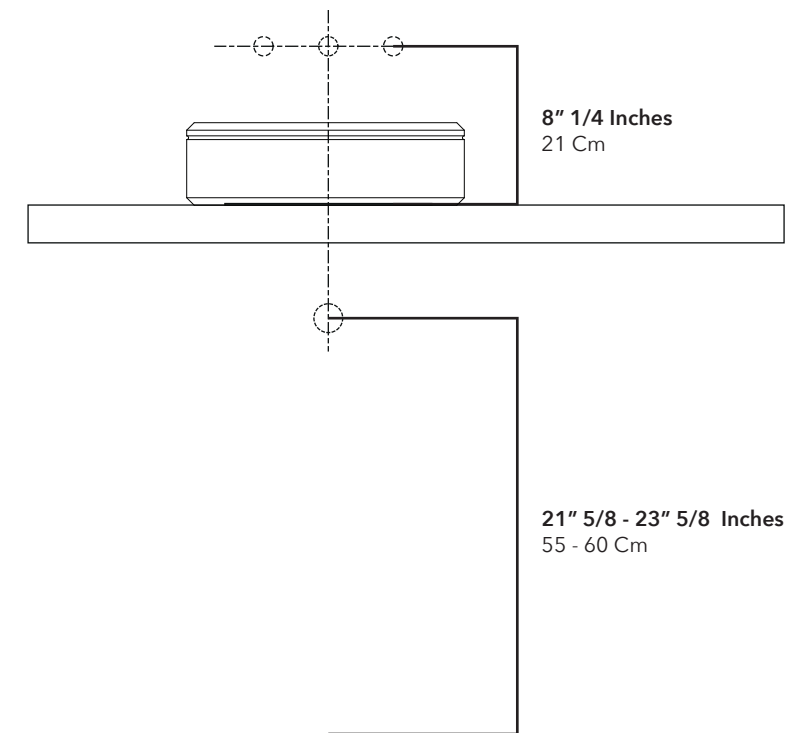
Concrete
Concreto

Installation Notes

Notas de Instalación

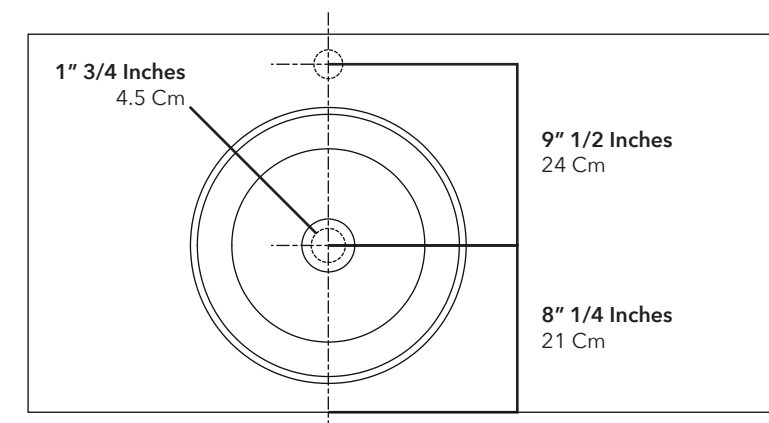
Recommended height for wall mounted taps

Altura recomendada para grifería de pared



Recommended perforations for drain and countertop tap

Perforaciones recomendadas para el desagüe y la grifería de mesón



Note: These are approximate and may vary.

Note: These are recommended and may vary, verify before intallate.