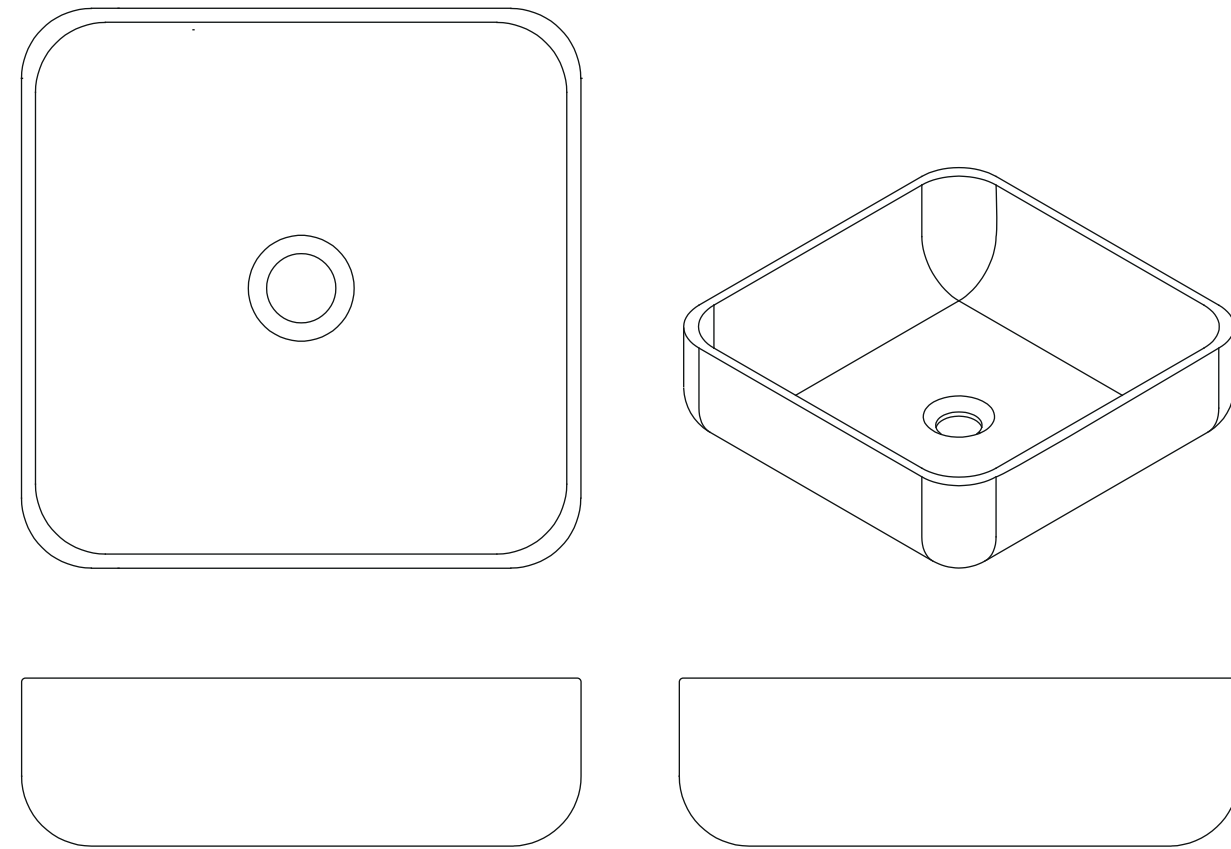


FLADD 03
Product Data Sheet

KONKRETUS



Scale 1:5

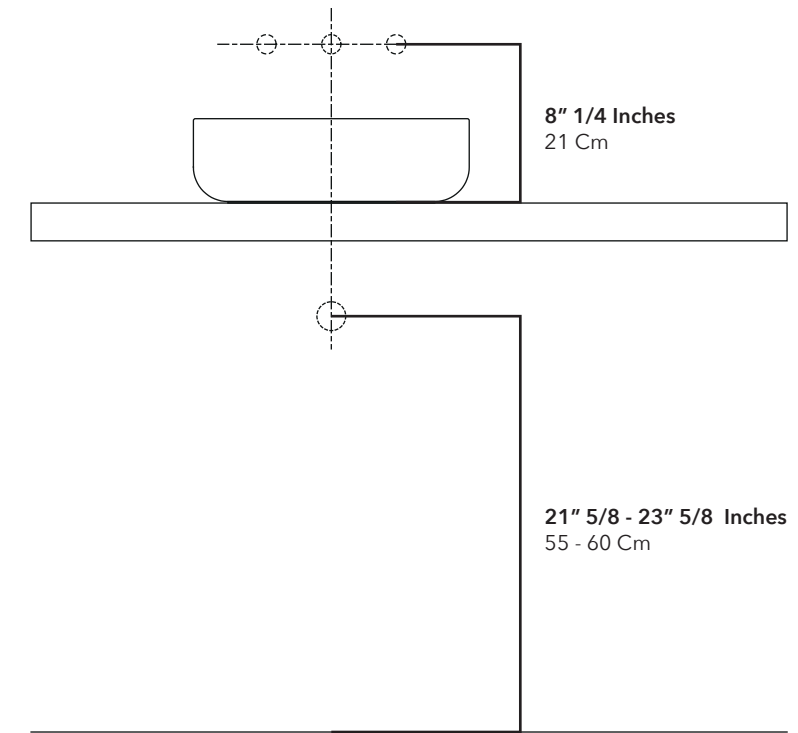
Note: Illustrative images, may vary from the real product.

Installation Notes

Notas de Instalación

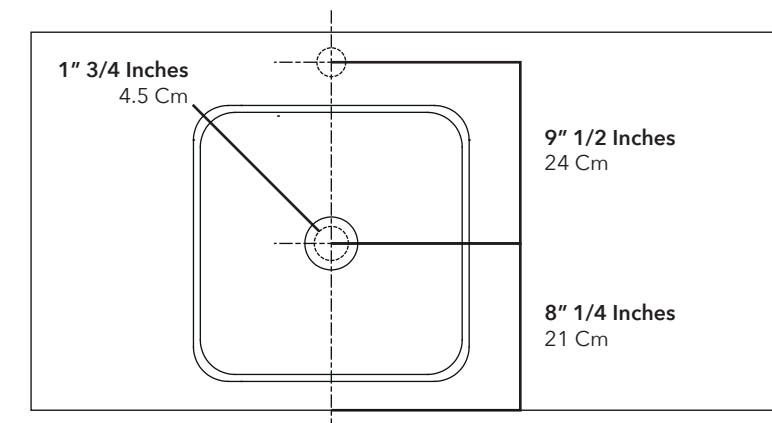
Recommended height for wall mounted taps

Altura recomendada para grifería de pared



Recommended perforations for drain and countertop tap

Perforaciones recomendadas para el desague y la grifería de mesón



Dimensions

Dimensiones

Height **4" 1/4 Inches - 11 Cm**
 Altura 4" 1/4 Pulgadas - 11 Cm

Width **14" 1/2 Inches - 37 Cm**
 Ancho 14" 1/2 Pulgadas - 37 Cm

Depth **14" 1/2 Inches - 37 Cm**
 Profundidad 14" 1/2 Pulgadas - 37 Cm

Weight

Peso

24.9 Pounds - 11.3 Kg
 24.9 Libras - 11.3 Kg

Material

Material

Concrete
 Concreto

Note: These are approximate and may vary.

Note: These are recommended and may vary, verify before intallate.