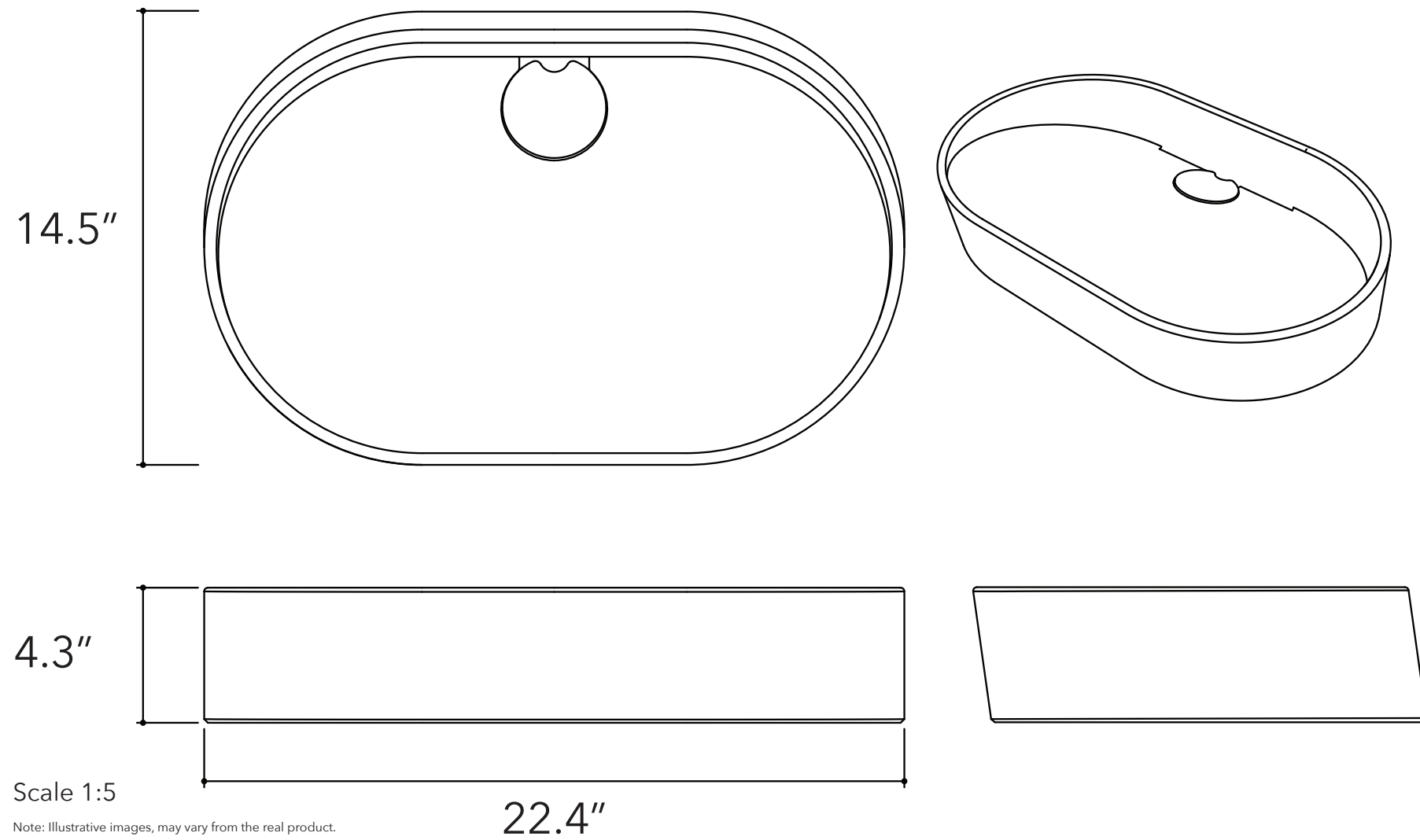


**DAL 02**

Product Data Sheet

**KONKRETUS**



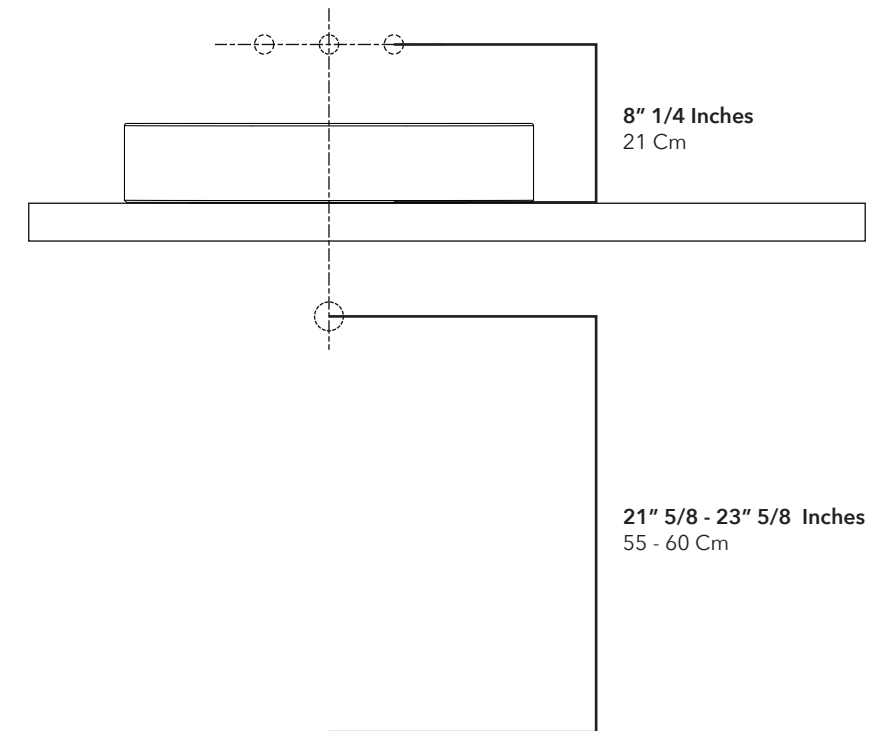
## Installation Notes

Notas de Instalación

### Recommended height for wall mounted taps

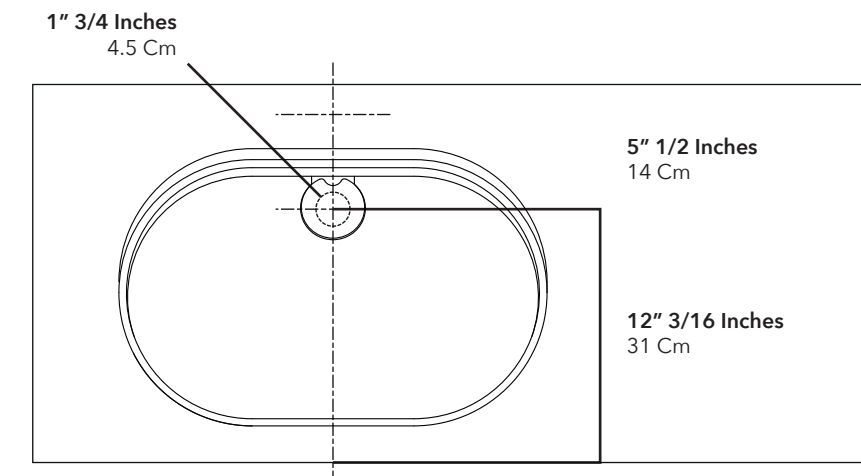
Altura recomendada para grifería de pared

**Mount type**      **Vessel**  
 Tipo de montura    Vessel



### Recommended perforations for drain and countertop tap

Perforaciones recomendadas para el desague y la grifería de mesón



## Dimensions

Dimensiones

<b>Height</b> Altura	<b>4.3 " Inches - 11 Cm</b> 4.3 " Pulgadas - 11 Cm
<b>Width</b> Ancho	<b>22.4 " Inches - 57 Cm</b> 22.4" Pulgadas - 57 Cm
<b>Depth</b> Profundidad	<b>14.5 " Inches - 37 Cm</b> 14.5 " Pulgadas -37 Cm

## Weight

Peso

**36.3 Pounds - 16.5 Kg**  
 36.3 Libras - 16.5 Kg

## Material

Material

**Concrete**  
 Concreto

Note: These are approximate and may vary.

Note: These are recommended and may vary, verify before installation.