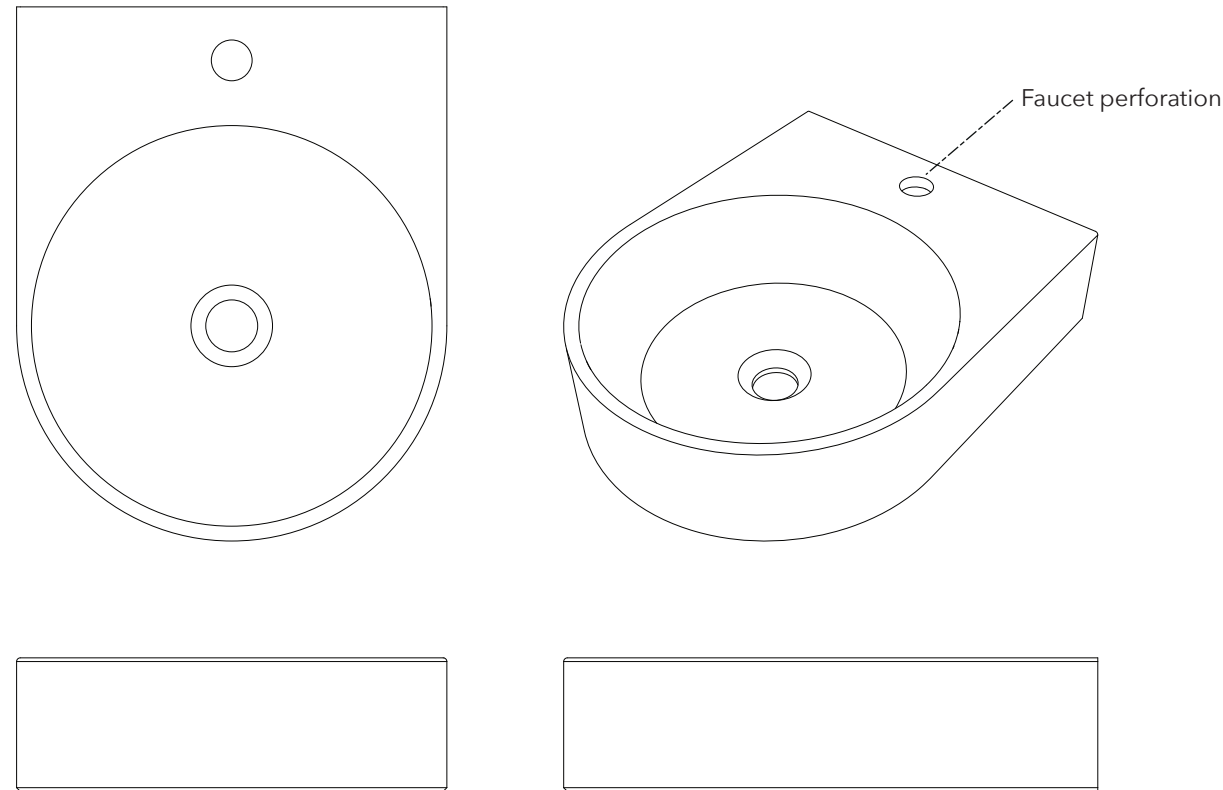


**BAHIA 01**  
Product Data Sheet

**KONKRETUS**



Scale 1:5

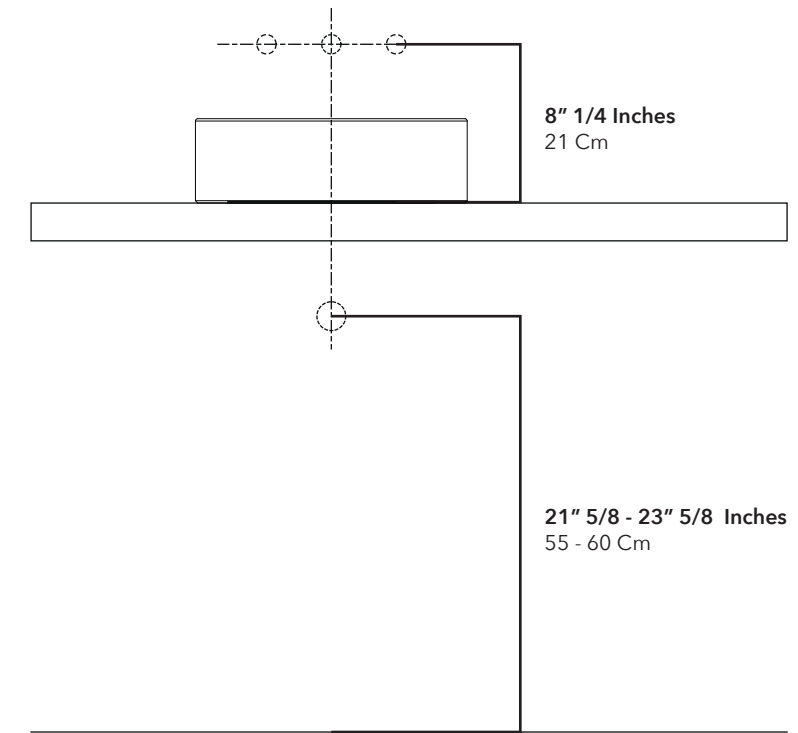
Note: Illustrative images, may vary from the real product.

## Installation Notes

Notas de Instalación

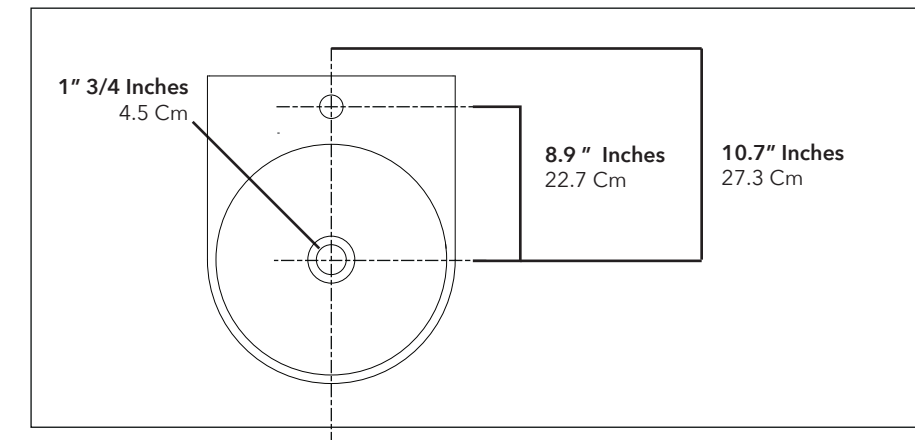
### Recommended height for wall mounted taps

Altura recomendada para grifería de pared



### Recommended perforations for drain and countertop tap

Perforaciones recomendadas para el desague y la grifería de mesón



## Dimensions

Dimensiones

**Height**  
Altura **4" 1/4 Inches - 11 Cm**  
4" 1/4 Pulgadas - 11 Cm

**Width**  
Ancho **14" 1/2 Inches - 37 Cm**  
14" 1/2 Pulgadas - 37 Cm

**Depth**  
Profundidad **18.1" Inches - 46 Cm**  
18.1" Pulgadas - 46 Cm

## Weight

Peso

**35.2 Pounds - 16 Kg**  
35.2 Libras - 16 Kg

## Material

Material

**Concrete**  
Concreto

Note: These are approximate and may vary.

Note: These are recommended and may vary, verify before intallate.