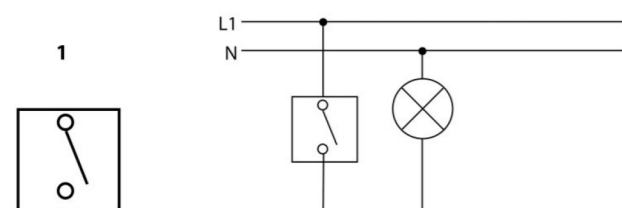


## ARRANGEMENT 1 SINGLE-GANG SWITCH

### 1 CIRCUIT SWITCHING FROM 1 PLACE

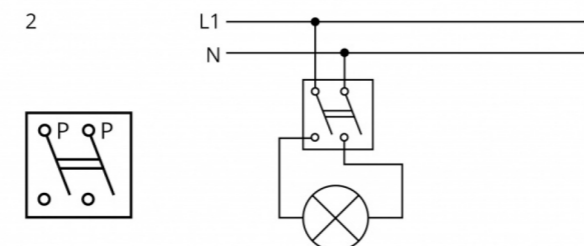
This switch only allows for switching one light from one place on and off.



## ARRANGEMENT 2 DOUBLE-GANG SWITCH

### 2 CIRCUIT SWITCHING FROM 1 PLACE AT THE SAME TIME

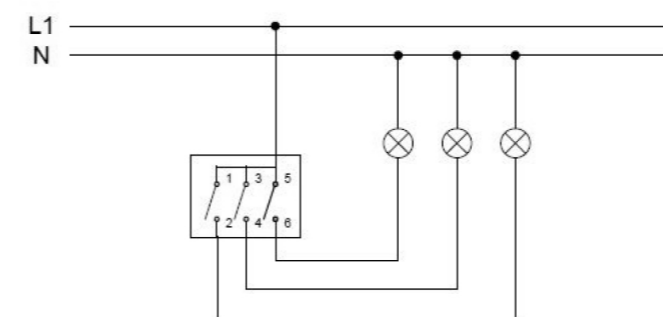
It has two inputs and two outputs. The function is the same as for the switch number 1. It has got one key and it switches on/off two circuits at the same time.



## ARRANGEMENT 3 THREE-GANG SWITCH

### 3 CIRCUITS SWITCHING FROM 1 PLACE

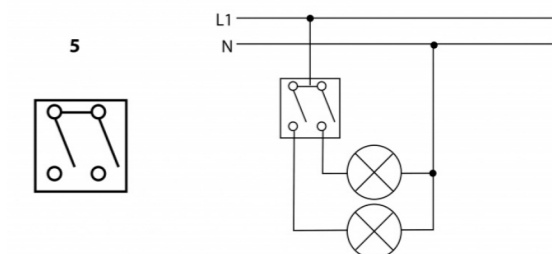
This switch connection allows you to turn on and off the three lights sequentially.



## ARRANGEMENT 5 SERIAL SWITCH

### 2 CIRCUIT SWITCHING FROM 1 PLACE

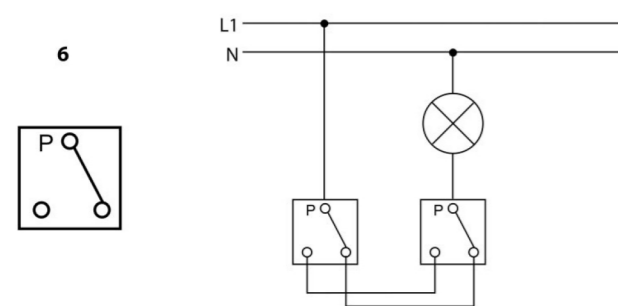
Definition for non-experts, the old name “chandelier switch” fully describes this switch arrangement. For example, when you need to use one key for one chandelier arm control and the other key for control of the other.



## ARRANGEMENT 6 ALTERNATE SWITCH

### 1 CIRCUIT SWITCHING FROM 2 PLACES

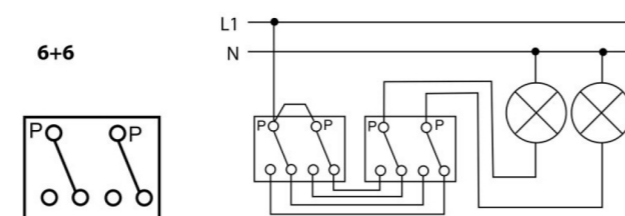
This staircase switch wiring arrangement is again best described by its original name (staircase switch). The switch can control 1 or more lights on a single cable from 2 places. For example the beginning and the end of a staircase.



## ARRANGEMENT 6+6 DOUBLE ALTERNATE SWITCH

### 2 CIRCUIT SWITCHING FROM 2 PLACES

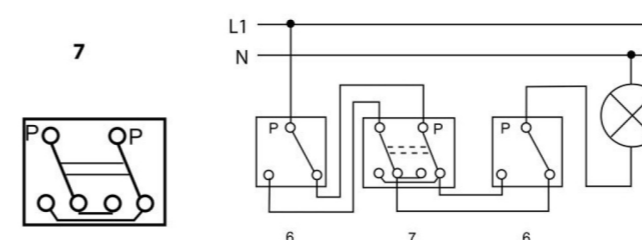
Staircase switch wiring arrangement again. This time in double variant (double key) switching 2 circuits from 2 places on and off. For non-experts - for example for a two-arm chandelier in the corridor.



## ARRANGEMENT 7 CROSS SWITCH

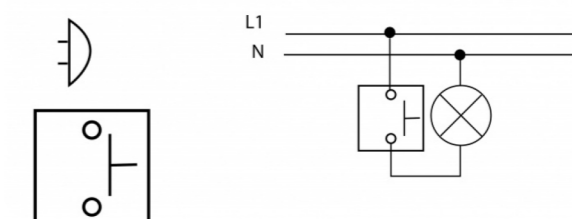
### 1 CIRCUIT SWITCHING FROM MORE THAN 2 PLACES

The cross switch wiring diagram is a Mercedes among switch wirings. This switch allows for control of, for example, one of more lobby lights from several places; even 100 different places is no problem. A 6 arrangement switch must be connected at the beginning and at the end of the control loop.



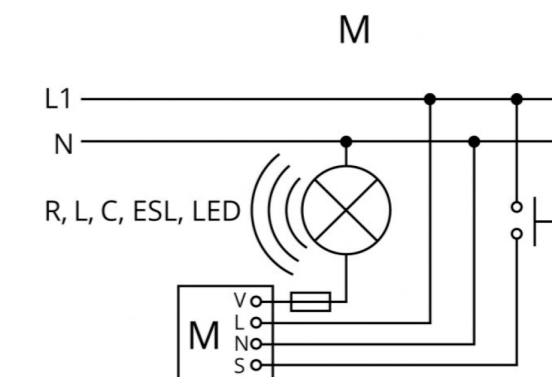
## BELL ARRANGEMENT

Doorbell wiring (also known as electric doorbell wiring). Wiring diagram of a classical switch with 1 arrangement with spring to return the switch to the original position.



## DIMMER M

For all kinds (R, L, C, EDL, LED).



**Berdoulat**  **WIRING DIAGRAM**

*All electrical installations to be carried out by a qualified electrician at all times.*

When using a dimmer module, module can be located anywhere between the switch and the light fitting being dimmed. It's prudent to consider a suitable location for the module when planning your 1st fix installation. Please ensure installation guidelines are followed with sufficient airflow around module, and that the correct input / output load is selected.