

REDRHINO™
PRODUCTS

Dragon Inverter Pumps

- Automatic inverter motor with extremely high power efficiency, saves 50% energy comparing with traditional pumps
- Quiet, compact, lightweight, for indoor and outdoor use
- Patented design of the front housing for water inlet to efficiently prevent clogging



Model	Power	Qmax	Hmax	Outlet Ø
D4000	38W	4000L/H	3.0m	1"
D5000	50W	5000L/H	3.4m	1"
D6000	55W	6000L/H	3.5m	1"
D8000	77W	8000L/H	3.8m	1"
D10000	100W	10000L/H	4.1m	1½"
D12000	120W	12000L/H	4.5m	1½"



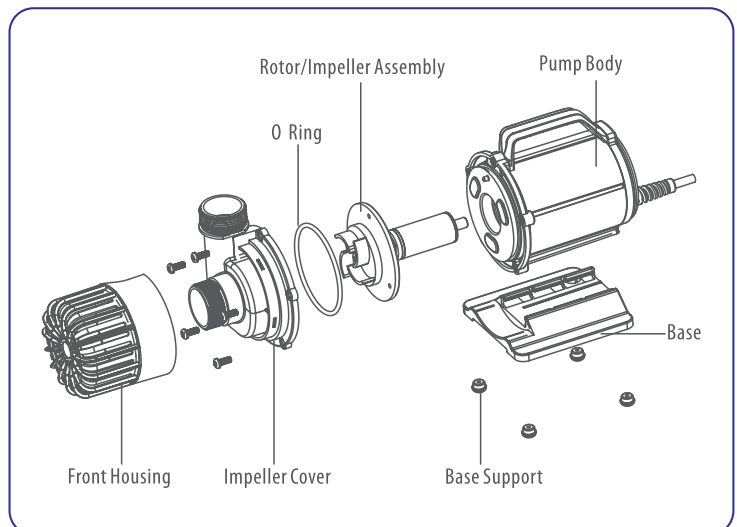
**INVERTER
TECHNOLOGY**



Patented inlet housing



Adapter sizes



**Waterfall
Pumps**

www.redrhino.co.za