

100 mm

Waterfall Pumps

DRAGON Inverter Water Pump

INSTRUCTION MANUAL



www.red-rhino.co.za

200 mm

Thanks for buying our product. To ensure you use the product safely and correctly, please read carefully and thoroughly this instruction.

Please note that we are not responsible for any failure caused by misuse or improper maintenance. Save this instruction for future use.

FEATURES

1. Innovative motor with inverter technology to save more than 50% energy comparing with traditional pumps.
2. Ceramic shaft and shaft base to ensure wear resistance, corrosion resistance, long life and low noise.
3. Easy-to-maintain front housing and impeller assembly.
4. This pump can be used for both fresh and marine water.
5. This pump can be used in or out of water.

IMPORTANT SAFETY INSTRUCTIONS

- Please operate the appliance under the rating voltage and frequency indicated on the pump rating label or manual instructions.
- A 30mA residual current device must be fitted to the mains supply to keep safe.
- Before cleaning or moving the pump, disconnect the pump from power sources.
- The power cord is not replaceable. If the power cord or the plug is found hurt or damaged, or the plug is found aged, stop using the pump immediately. Return the pump to the retailer / distributor for disposal, or dispose it by yourself.
- DO NOT attempt to change plug or shorten power supply cord by yourself and DO keep the plug dry.
- DO NOT pull the power cord to move the pump. We recommend fitting a lifting cord to the handle on the top of the outer housing.
- DO NOT operate or leave the pump in freezing conditions.
- DO NOT allow the pump to run dry.
- DO NOT allow children or the elderly to operate the pump.
- This pump is for use in clean water only. Make sure the water temperature is not more than 35°C.
- If the pump is used with hard water (water with high content of calcium or scale), the pump and the rotor assembly should be cleaned regularly.

THERMAL OVERLOAD PROTECTION

This pump is configured with self reset thermal overload protection. If the motor overheats, the protection device will cut off the power automatically. If this occurs, switch off the power at the mains supply to the pump. Check for the cause. Usually it will be debris blocking the inlets of the pump or obstructing the impellor. Remove the obstruction and wait for 20 minutes. When the motor cools down, switch on the pump and the motor will start working again.

MAINTENANCE

Warning

Disassembling the motor or alteration of the power cord will void the warranty. The power cord can't be replaced. In case of damage on the cord, the whole pump should be replaced.

This pump is free from lubricants and special maintenance. However, to keep the pump operates in the best condition and prolong its life-span, regular maintenance and cleaning is needed.

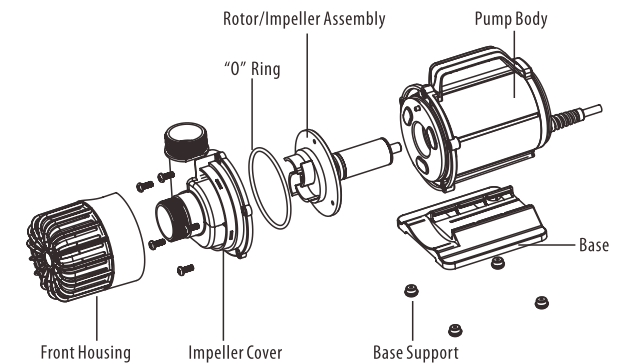
1. Disconnect from power sources and move the appliance to a dry and safe place.
2. Detach the front housing from the pump body.
3. Release the screws on the impeller cover and take the impeller cover away from the pump body.
4. Take out the impeller and rotor, clean with running water. Also clean the impeller well and the impeller cover.
5. After cleaning, assemble the rotor carefully to the pump body.
6. Make sure the sealing rings are installed properly.
7. Inspect the installation of the rotor assembly by turning the impellers gently. The impeller should rotate smoothly.
8. Assemble the impeller cover. Then tighten it with screws.
9. Inspect again the installation of the rotor assembly by turning the impellers from the water inlet of the impeller cover. The impeller should rotate smoothly. Then assemble the front housing.
10. Make sure air has been exhausted from impeller cover before use.
11. To get the best performance, the connection of the tubing and the hose adapter of the pump should be fully sealed.

- **Clean the pump at least once a month. More frequent cleaning might be needed depending on the water condition.**
- **For wearing parts like the impellor kit, approach the local retailer / distributor for replacement. You need to pay for the wearing parts if the pump has been used for over 1 year.**
- **If the pump is used with hard water (water with high content of calcium or scale), the deposit in the pump or on the surface of the rotor/impeller will cause jamming of the rotor, thus cause overheating of the product and trigger the action of thermal protector. In this case, the pump should be cleaned regularly. To remove the deposit, disassemble the pump, submerge all the parts in weak acid solution, such as vinegar, for hours, then rinse with clean water.**

TECHNICAL DATA

MODEL	VOLTAGE	FREQUENCY	POWER	HMAX	QMAX	ADAPTER SIZES
WD4000	220V	50 Hz	38W	3.0m	4000L/H	Ø¼" Ø1" Ø1¼"
WD5000	220V	50 Hz	50W	3.4m	5000L/H	Ø¼" Ø1" Ø1¼"
WD6000	220V	50 Hz	55W	3.5m	6000L/H	Ø¼" Ø1" Ø1¼"
WD8000	220V	50 Hz	77W	3.8m	8000L/H	Ø¼" Ø1" Ø1¼"
WD10000	220V	50 Hz	100W	4.1m	10000L/H	Ø2" Ø1½"
WD12000	220V	50 Hz	120W	4.5m	12000L/H	Ø2" Ø1½"

STRUCTURE DIAGRAM



Warranty Card

Product _____

From which shop _____

Shop Address _____

Date of purchase _____ / _____ / _____

Shop signature _____

Purchaser signature _____

The product is warranted to be free of defects in manufacturing and material for one (1) year from the date of purchase. Please retain your dated original receipt or invoice as proof of purchase, and return the defect to place of purchase. Please note that, this warranty does not cover damage from accident, misuse or abuse. It also specifically excludes incidental or consequential damages like any loss of fish, plants or other livestock as a result of any failure or defect of this product.