

REDRHINO™
FILTRATION

5 Stage Reverse Osmosis

HE01-50G

Instruction Manual



Table of Contents

Brief Introduction	3
Packing list	3
Function & Characteristics	4
Maintenance	4
Major Technology Parameters	5
Testing	6
Warning	7
Main Components & Charts	8

Brief Introduction

Respected customers:

Thank you for purchasing the RO water purifier.

The water purifier in your possession now is in the leading position among products in the world water treatment fields.

The pure water it produces is not only drinkable but also good for your health.

For the purpose that the machine is properly installed, utilized and maintained so that it can work in its best condition to ensure the constant supply of pure water. We suggest that you read this manual in detail and follow our advice before installation of the machine.

If you have any difficulty in installing or using the machine, please contact the local dealer who will send technicians to help you.

Packing list

- 1.RO Main Machine(1set)
- 2.Pressurized Water Tank(1piece)
- 3.Components Bag(1piece)
- 5.Instruction Manual(1piece)
- 6.Goose-necked Faucet(1piece)
- 7.Housing (1piece)

Notes:

- 1.RO membrane can be packaged respectively and installed by the customers themselves
- 2.In the components bag are: feed water connector, tank ball valve, small bracket, inserts(5pcs) and caps(5pcs).

Introduction to RO Water Purifier

The RO water purifier unit is a five-stage filtration pure-water equipment manufactured with high-tech reverse osmosis technology. After the source water is treated in three pretreatment filters where suspended sediments and other substances bigger than 5 micron are filtrated in the first stage PPF filter and foul smell and by products of chlorine are get rid of in the second granule active carbon and the third stage block active carbon. Then the water enters the fourth stage-reverse osmosis membrane. As the precise of the RO membrane is 0.0001 micron, there is no possibility for a germ or a virus to pass through the membrane unless the former is shrunk by 1/4000 and the later by 1/200. Therefore, no tiny impurities, harmful dissolved solids, germs or viruses can part the water. The impurities or contaminants to be discharged through the drain pipe. The whole process is completely automatic, and the pure fresh water produced with this RO technology is free from germs and contaminants, rich in oxygen and taste good. In addition, it can activate cells and improve the immunity of the body due to its strong capacity of penetration and dissolution.

Function & Characteristics

The adoption of RO membrane and the application of the most advanced RO water treatment technology ensure the elimination of such harmful substances as tiny impurities, colloids, organic matters, heavy metals, dissolved solids, bacteria, and viruses while retaining the water molecule and dissolved oxygen. The removal rate can reach over 96%.

- The entire machine does not require electricity to work
- In order for the machine to operate normally and produce rated filtered water, it is recommended that the inlet pressure be not less than 5kg/cm²
- Regular manual flushing can prolong the life of RO membrane.
- Do not leak the air out into the pressurized tank.

Maintenance

1. When the RO machine is on the operation, sediment and bacteria may be blocked on the membrane, so it is suggested that the machine should be flushed periodically.

(1) Ways of flush: manual

(2) Flush procedures: turn off the tank ball valve and turn on the reverse flush ball valve before flushing. After 5-10 minutes, turn off the reverse flush ball valve and turn on the tank ball valve.

2. To ensure the quality of the pure water, the filters should be replaced periodically. Duration of the filters varies according to the quality of the source water. Generally speaking, it is suggested that a family of three persons with daily pure water consumption of 10 liters(10kg) should replace filters indicated as below:

5-micron PP filter: 3-6 months

Granule carbon filter: 6-12 months

1 micron PP filter: 6-12 months

RO membrane : 18-24 months

Post PP filter : 6-12 months

Note: All the replacement of filter should be accomplished by professional serviceman, if the following situations occur, the replacement of the filters should be considered:

(1) The quality of the treated water worsen and the taste is not good .

(2) The treated water flow volume lowered apparently (except for the drop of the feed water temperature).

Major Technology Parameters

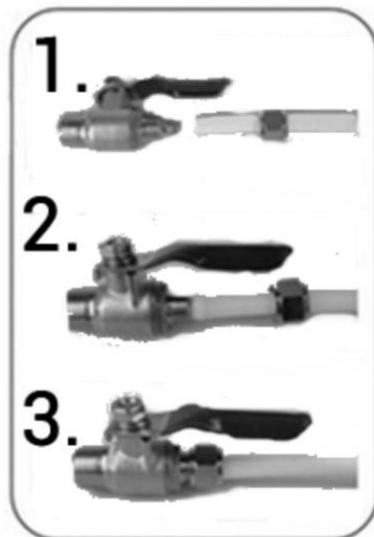
<i>Model</i>	<i>RO-50G-5</i>
Water Pressure	0.4MPa- 0.7MPa
Feed Water Temperature	5-40°C
Max.TPS of feed water	≤1000PPM
Max.GPD	50gallon 189L
Tank Capacity	3.2gallon
Ways of flush	Manual
Type of protection against e	Type II
Applicable feed water	Civic Tap Water GB5749-2006

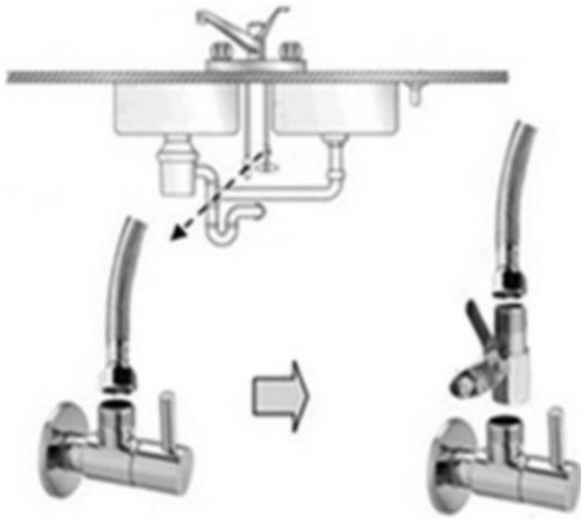
Note: Changes may occur for improvement of products, Accordance with the product's nameplate.

Installation

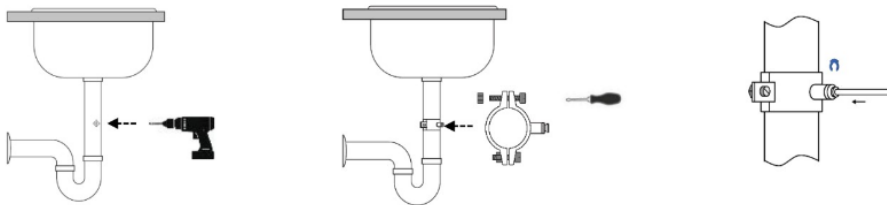
This RO unit should be installed by professional serviceman and users are not allowed to do it by themselves.

1. Shut off the feed water valve of the tap water, open the components bag and connect the feed water ball valve with the feed water connector, then connect the feed water connector onto the pipeline.





2. Drill a hole(12mm) in the downcomer so as to connect the drain tube.



3. Drill a hole(12mm) on the sink and install the faucet or fix it onto the wall with small bracket.

4. Make sure whether the machine is installed on the desk or under the sink to determine how many holes should be drilled. (For reference only, install it according to the practical situation)

(1) The RO main machine and the pressurized water tank---if both under the sink no holes needed. Four holes(6mm) should be drilled for feed water tube, tank tube, purified water tube and drain tube if the main machine is to be installed on the desk.

(2) The RO main machine and the dispenser---three holes(6mm) should be drilled for the feed water tube, drain tube and the overflow tube (on the dispenser)

(3) The RO main machine, the pressurized water tank and the dispenser---two holes(6mm) should be drilled for purified water tube and overflow tube if the main machine and the tank are to be installed under the sink; Four holes(6mm) should be drilled for the feed water tube, tank water tube, drain tube and the overflow tube if the tank is to be installed under the sink.

(4) Silica gel should be used to seal the hole when tubes are connected in case of leak.

(5) Install the tank ball valve onto the pressurized tank and connect it with the tube.

(6) Put the inserts into the tube and then connect the tube.

Testing

After making sure the water circuit is on the operation, ensure:

Whether there is tap water.

The testing procedures are as the followings:

1. Turn on the tap water feed water valve and the feed water ball valve, shut off the tank ball valve and turn on the goose necked faucet.

2. After a while the wastewater will be drained out The machine will be on the state of producing water and the pure water will leak from the faucet soon. After pour into the tank. Drain the treated water 2 times out of the tank when initially use the machine.

Note: (1) On the initial use, little amount of black water may leak out from the faucet, flush it continuously.

(2) On the initial usage, TDS could be a little bit higher, flush it continuously.

Special Notice



Please read the instruction manual carefully before using the machine and install, use and maintain it in accordance with the manual strictly. Our company will not take any responsibility if the accident was led to by the user's improper installation, utilization and maintenance that are not carried out strictly according to the manual.

(1) The main connection parts of the machine are made of plastic; the users should observe the machine's working situation often to ensure its safety. Please turn off the feed water valve when they will be out for a long time or will not use the machine any longer.

(2) Do not install the machine in the humid environment otherwise parts of the machine will get rusty.

(3) The duration of the filters we suggested are not fixed and should be adjusted according to the practical water quality and usage. Contact the local dealer if any question occurs.

(4) All the work of replacing the filters and maintenance should be accomplished only by the professional serviceman.

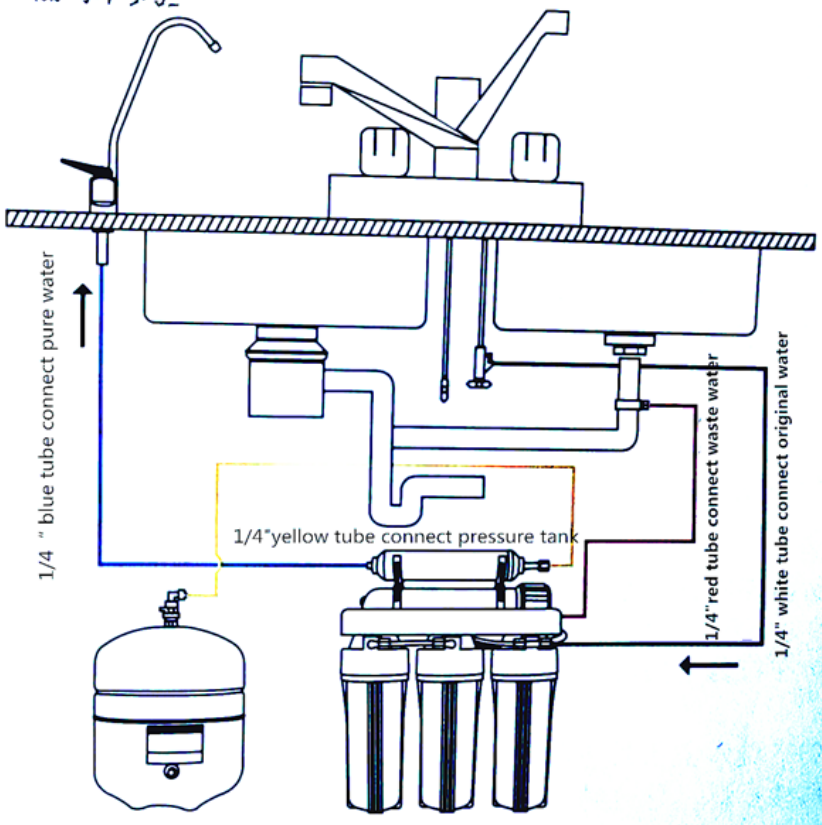
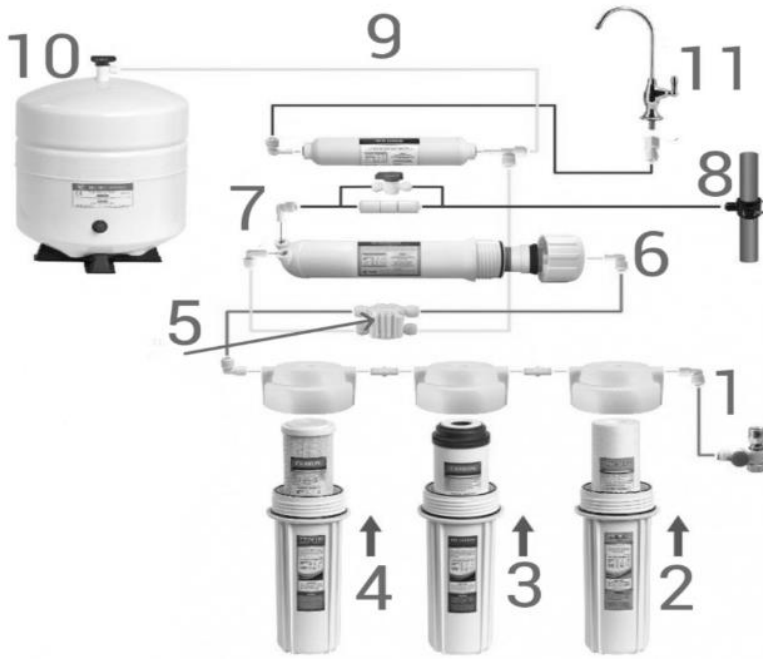
(5) The new hose-sets supplied with the appliance are to be used and that old hose-sets should not be reused.

Warning

1. This appliance is not intended use by persons (including children) with reduced physical, sensory, or mental capabilities, or instruction concerning use of the appliance by a person responsible for their safety. Children should be supervised to ensure that they do not play with the appliance.

2. If the supply cord is damaged, it must be replaced by the manufacturer, its service agent or similarly qualified persons to avoid a hazard.

Main Components & Charts



Remark:

Our company reserve the right of change design and specification about the product at any time. Please keep the manual safe for future reference.