

LPO 1316C LHD EURO-II
(PARTS LIST)

Catalogue No. SPT 215 . AUGUST 2008

PRELIMINARY REMARKS

This list comprises of parts for Engine, Gear Box, Chassis, Front Axle, Rear Axle etc. of LPO 1316C LHD EURO-II Vehicles.

CHASSIS TYPE	VC NO	DESCRIPTION	ENGINE TYPE
389067	27501655000L	FULL FORWARD CONTROL CHASSIS WITHOUT FACE & FRONT ENTRANCE, BUS VERSION, EURO II ENGINE, G600 GEAR BOX, WEWELLER SUSPENSION, 5545 MM WHEEL BASE.	6BT TATA CUMMINS EURO-II
389277	27501755000L	FULL FORWARD CONTROL CHASSIS WITHOUT FACE & FRONT ENTRANCE, BUS VERSION, EURO II ENGINE, G600 GEAR BOX, WEWELLER SUSPENSION, ABS BRAKES, 5545 MM WHEEL BASE.	6BT TATA CUMMINS EURO-II
389068	27501955000L	FULL FORWARD CONTROL CHASSIS WITHOUT FACE & FRONT ENTRANCE, BUS VERSION, EURO II ENGINE, G600 GEAR BOX, WEWELLER SUSPENSION, 5545 MM WHEEL BASE.	6BT TATA CUMMINS EURO-II

INSTRUCTIONS

Refer Variant Table Matrix for correct applicability

The designation "Left and Right" as well as "Front" and "Rear" refer to the driving direction

The indication "First", "Second" (e.g. Cross member of frame) are counter from the radiator side

The word "Optional" in the remarks column against an item having two or more part numbers indicates that depending on availability, the item will be supplied under any one of these part numbers

The designation "AR" in column "Quantity" stands for "As Required"

The illustrations of parts of the table are only for easy reference and they may not be exact replica of the part.

The parts fitted on the vehicle are subject to modification without prior notice.

This is a publication of the Parts Head Quarters of the TATA MOTORS LIMITED.

Any Correspondence relating to this Parts List be made to:

**Technical Cell
Tata Motors Ltd.,
Parts Head Quarters,
Teen Hath Naka,
Gyan Sadhana College Service Road,
Thane-400 604.**

INTRODUCTION

WHEN ORDERING PARTS, PLEASE INDICATE

Chassis Type and Chassis Number

Engine Type and Engine Number

Part No. - See Column "PART NUMBER"

Precise Description - See Column "DESCRIPTION"

WHEN ORDERING PARTS FOR AGGREGATES, PLEASE INDICATE THE AGGREGATE NUMBER

Gear Box Unit No. -

Rear Axle Unit No. -

Steering Unit No. -

VARIANT – TABLE MATRIX

VARIANT - TABLE MATRIX FOR LPO 1316C EURO-II				
	CHASSIS TYPE	389067	389277	389068
	VC NUMBER	27501655000L	27501755000L	27501955000L
TABLE NUMBER	TABLE DESCRIPTION			
00	ENGINE			
00.01.01	ENGINE	Y	Y	Y
00.01.02	ENGINE GASKET KIT	Y	Y	Y
00.01.03	CYLINDER BLOCK	Y	Y	Y
00.01.04	OIL PAN	Y	Y	Y
00.01.05	FRONT GEAR COVER	Y	Y	Y
00.01.06	CYLINDER HEAD	Y	Y	Y
00.01.07	VALVE COVER	Y	Y	Y
00.01.08	INTAKE MANIFOLD	Y	Y	Y
00.01.09	CAM FOLLOWER COVER	Y	Y	Y
00.01.10	OIL FILL LOCATION	Y	Y	Y
00.01.11	DIPSTICK	Y	Y	Y
00.01.12A	FITMENTS ON ENGINE	Y		Y
00.01.12B	FITMENTS ON ENGINE		Y	
00.03.01	CRANKSHAFT AND MAIN BEARING	Y	Y	Y
00.03.02	CONNECTING ROD AND PISTON	Y	Y	Y
00.03.03	VIBRATION DAMPER	Y	Y	Y
00.03.04	FLYWHEEL AND FLYWHEEL HOUSING	Y	Y	Y
00.03.05	BEARING (CLUTCH)	Y	Y	Y
00.05.01	CAMSHAFT AND TAPPETS	Y	Y	Y
00.05.02	ROCKER LEVER	Y	Y	Y
00.07.01	FUEL PUMP COUPLING	Y	Y	Y
00.07.02	FUEL PUMP BASE	Y	Y	Y
00.07.03	TUBE, FUEL DRAIN	Y	Y	Y
00.07.04	FUEL SYSTEM ACCESSORIES	Y	Y	Y
00.07.05	PUMPING AIR FUEL CONTROL	Y	Y	Y
00.07.06	LEVER, FUEL SHUT OFF	Y	Y	Y
00.07.07	LEVER, THROTTLE	Y	Y	Y
00.07.08	TUBE FUEL, FEED PUMP	Y	Y	Y
00.07.09	FUEL LINES	Y	Y	Y
00.07.10	FUEL LINES	Y	Y	Y
00.07.11	FUEL FEED PUMP	Y	Y	Y
00.09.01	FUEL FILTER	Y	Y	Y
00.09.02	PLUMBING, FUEL FILTER	Y	Y	Y
00.09.03	ENGINE VENT PLUMBING	Y	Y	Y
00.09.04	AIR FILTER	Y	Y	Y
00.13.01	AIR COMPRESSOR	Y	Y	Y
00.14.01	EXHAUST MANIFOLD & MOUNTING CHARGER	Y	Y	Y
00.14.02	TURBOCHARGER (LOW MOUNT)	Y	Y	Y
00.14.03	TURBOCHARGER PLUMBING	Y	Y	Y
00.14.04	CONNECTION AIR INTAKE (TURBOCHARGER)	Y	Y	Y
00.14.05	CONNECTION AIR INTAKE (CYLINDER HEAD)	Y	Y	Y

VARIANT - TABLE MATRIX FOR LPO 1316C EURO-II				
	CHASSIS TYPE	389067	389277	389068
	VC NUMBER	27501655000L	27501755000L	27501955000L
TABLE NUMBER	TABLE DESCRIPTION			
00.14.06	CONNECTION EXHAUST OUTLET	Y	Y	Y
00.14.07	HEATER, AIR INTAKE	Y	Y	Y
00.14.08	INTERCOOLER	Y	Y	Y
00.15.01	STARTER MOTOR	Y	Y	Y
00.15.02	ALTERNATOR & ALTERNATOR LOCATION	Y	Y	Y
00.15.03	ALTERNATOR MOUNTING	Y	Y	Y
00.18.01	LUBRICATING OIL COOLER / OIL FILTER	Y	Y	Y
00.18.02	OIL PUMP	Y	Y	Y
00.20.01	THERMOSTAT	Y	Y	Y
00.20.02	WATER PUMP	Y	Y	Y
00.20.03	FAN AND FAN DRIVE	Y	Y	Y
00.20.04	CLUTCH VISCOUS FAN	Y	Y	Y
00.22.01	ENGINE LIFTING	Y	Y	Y
00.24.01	ENGINE SUSPENSION	Y	Y	Y
00.25.01	CLUTCH	Y	Y	Y
26	GEARBOX			
26.26.01	GEAR BOX, HOUSING AND COVERS	Y	Y	Y
26.26.02	TOP COVER	Y	Y	Y
26.26.03	SHIFTER SHAFT AND FORK	Y	Y	Y
26.26.04	DRIVE SHAFT	Y	Y	Y
26.26.05	MAIN SHAFT AND GEARS	Y	Y	Y
26.26.06	COUNTER SHAFT, GEARS AND REVERSE IDLER	Y	Y	Y
26.26.07A	GEAR SHIFT LINKAGES	Y		Y
26.26.07B	GEAR SHIFT LINKAGES		Y	
29	PEDALS			
29.29.01	CLUTCH CONTROLS	Y	Y	Y
30	ACCELERATOR			
30.30.01	ACCELERATOR CONTROL	Y	Y	Y
31	FRAME			
31.31.01	FRAME	Y	Y	Y
32	SUSPENSION			
32.32.01	FRONT SPRING (WEWELLER)	Y	Y	Y
32.32.02	FRONT SHOCK ABSORBER	Y	Y	Y
32.32.03A	ANTI ROLL BAR FRONT	Y	Y	
32.32.03B	ANTI ROLL BAR FRONT			Y
32.32.04A	REAR SPRING	Y	Y	
32.32.04B	REAR SPRING			Y
32.32.05A	REAR SHOCK ABSORBER	Y		Y
32.32.05B	REAR SHOCK ABSORBER		Y	
33	FRONT AXLE			
33.33.01A	FRONT AXLE	Y		Y
33.33.01B	FRONT AXLE		Y	

VARIANT - TABLE MATRIX FOR LPO 1316C EURO-II				
	CHASSIS TYPE	389067	389277	389068
	VC NUMBER	27501655000L	27501755000L	27501955000L
TABLE NUMBER	TABLE DESCRIPTION			
35	REAR AXLE			
35.35.01A	REAR AXLE (RA 109 RR)	Y		Y
35.35.01B	REAR AXLE (RA 109 RR)		Y	
35.35.02A	REAR AXLE (RA 109 RR)	Y		Y
35.35.02B	REAR AXLE (RA 109 RR)		Y	
40	WHEELS			
40.40.01	WHEEL RIM AND SPARE WHEEL CARRIER	Y	Y	Y
41	PROPELLER SHAFT			
41.41.01	PROPELLER SHAFT	Y	Y	Y
42	BRAKES			
42.42.01.01	FRONT WHEEL BRAKE S CAM (BIL)	Y		Y
42.42.01.02	FRONT WHEEL BRAKE S CAM (BIL)		Y	
42.42.02.01	FRONT WHEEL BRAKE (M/S. AAL)	Y		Y
42.42.02.02	FRONT WHEEL BRAKE (M/S. AAL)		Y	
42.42.03.01	REAR WHEEL BRAKE (BIL)	Y		Y
42.42.03.02	REAR WHEEL BRAKE		Y	
42.42.04	REAR WHEEL BRAKE (AAL)	Y		Y
42.42.05A	BRAKE COMPONENTS	Y		Y
42.42.05B	BRAKE COMPONENTS		Y	
42.42.06A	BRAKE PIPE LINES	Y		Y
42.42.06B	BRAKE PIPE LINES		Y	
42.42.07	FRONT BRAKE CHAMBER	Y	Y	Y
42.42.08	REAR BRAKE ACTUATOR	Y		Y
42.42.09	REAR BRAKE ACTUATOR (VOSS)		Y	
42.42.10	SLACK ADJUSTER (FRONT AND REAR)	Y		Y
42.42.11	SLACK ADJUSTER (FRONT AND REAR)		Y	
42.42.12	AIR DRYER/DRYING AND DISTRIBUTION UNIT	Y	Y	Y
42.42.13	DUAL BRAKE VALVE	Y	Y	Y
42.42.14A	GRADUATED HAND VALVE	Y		Y
42.42.14B	GRADUATED HAND VALVE		Y	
42.42.15	QUICK RELEASE VALVE	Y	Y	Y
46	STEERING			
46.46.01	STEERING LINKAGES	Y	Y	Y
46.46.02	STEERING GEAR BOX	Y	Y	Y
46.46.03	ASSY. HYDRAULIC POWER STEERING TANK	Y	Y	Y
46.46.04	POWER STEERING PUMP	Y	Y	Y
46.46.05	POWER STEERING PIPE LINES (LHD)	Y	Y	Y
47	FUEL SYSTEM			
47.47.01	FUEL SYSTEM	Y	Y	Y
49	EXHAUST SYSTEM			
49.49.01	EXHAUST SYSTEM	Y	Y	Y
50	RADIATOR			

VARIANT - TABLE MATRIX FOR LPO 1316C EURO-II				
	CHASSIS TYPE	389067	389277	389068
	VC NUMBER	27501655000L	27501755000L	27501955000L
TABLE NUMBER	TABLE DESCRIPTION			
50.50.01	RADIATOR	Y	Y	Y
54	ELECTRICALS			
54.54.01A	LIGHT AND SIGNAL SYSTEM	Y		Y
54.54.01B	LIGHT AND SIGNAL SYSTEM		Y	
54.54.02A	INSTRUMENT CLUSTER	Y		Y
54.54.02B	INSTRUMENT CLUSTER		Y	
54.54.03A	WIRING HARNESS	Y		Y
54.54.03B	WIRING HARNESS		Y	
60	BODY			
60.60.01	COWL W/O FACE	Y	Y	Y
60.81.01A	INTERNAL AND EXTERNAL FITMENTS	Y		Y
60.81.01B	INTERNAL AND EXTERNAL FITMENTS		Y	
60.82.01	WIPER SYSTEM	Y	Y	Y
60.86.01	WINDSHIELD WASHING SYSTEM	Y	Y	Y
60.88.01	ANTI SAGGING BAR	Y	Y	Y
60.89.01	COWL MOUNTING	Y	Y	Y

00.01.01

ENGINE

GROUP 01

CHASSIS TYPE: ALL

NO IMAGE

00.01.01		ENGINE		GROUP 01	
CHASSIS TYPE: ALL					
FIG. NO.	PART NUMBER	DESCRIPTION	QTY	REMARKS	
-	207601000145	ASSY. ENGINE COMPLETE 6BT(160HP), LOW MOUNT, LOWERED, VISCOUS FAN, 24V W/O CLUTCH AND CLUTCH HOUSING	1		
-	278607999976	LONG BLOCK (INLINE FIP)	1		

00.01.02

ENGINE GASKET KIT

GROUP 01

CHASSIS TYPE: ALL

NO IMAGE

00.01.02		ENGINE GASKET KIT		GROUP 01
CHASSIS TYPE: ALL				
FIG. NO.	PART NUMBER	DESCRIPTION	QTY	REMARKS
-	278620999933	UPPER ENGINE GASKET KIT CONSISTS OF :	1	
1	-	SEAL 'O' RING (BIG)	1	
2	-	SEAL 'O' RING (SMALL)	1	
3	-	WASHER SEALING	6	
4	-	WASHER SEALING	4	
5	-	WASHER SEALING	4	
6	-	SEAL RECTANGULAR RING	1	
7	-	GASKET CONNECTION	1	
8	-	SEAL 'O' RING	2	
9	-	GASKET CONNECTION	2	
10	-	GASKET OIL DRAIN	1	
11	-	SEAL VALVE STEM	6	
12	-	GASKET TURBOCHARGER	1	
13	-	SEAL BANJO CONNECTOR	6	
14	-	SEAL RECTANGULAR RING	6	
15	-	SEAL VALVE STEM	6	
16	-	GASKET EXHAUST MANIFOLD	6	
17	-	GASKET INT. MANIFOLD COVER	1	
18	-	WASHER SEALING	2	
19	-	GASKET CYLINDER HEAD	1	
20	-	ISOLATOR NOISE	6	
21	-	GASKET VALVE COVER	6	
22	-	SEAL INJECTOR	6	
-	278601999993	LOWER ENGINE GASKET CONSISTS OF :	1	
1	-	SEAL 'O' RING	1	
2	-	GASKET PUSH ROD COVER	1	
3	-	SEAL GROMMET	6	
4	-	KIT OIL SEAL	1	
5	-	GASKET REAR COVER	1	
6	-	GASKET REAR HOUSING	1	
7	-	SEAL 'O' RING	1	
8	-	SEAL 'O' RING	1	
9	-	SEAL RECTANGULAR RING	1	
10	-	GASKET GEAR COVER	1	
11	-	SEAL OIL	1	
12	-	GASKET COVER PLATE	2	
13	-	GASKET FILTER HEAD	1	
14	-	GASKET LUB COOLER	1	
15	-	SEAL RECTANGULAR RING	1	

00.01.02

ENGINE GASKET KIT

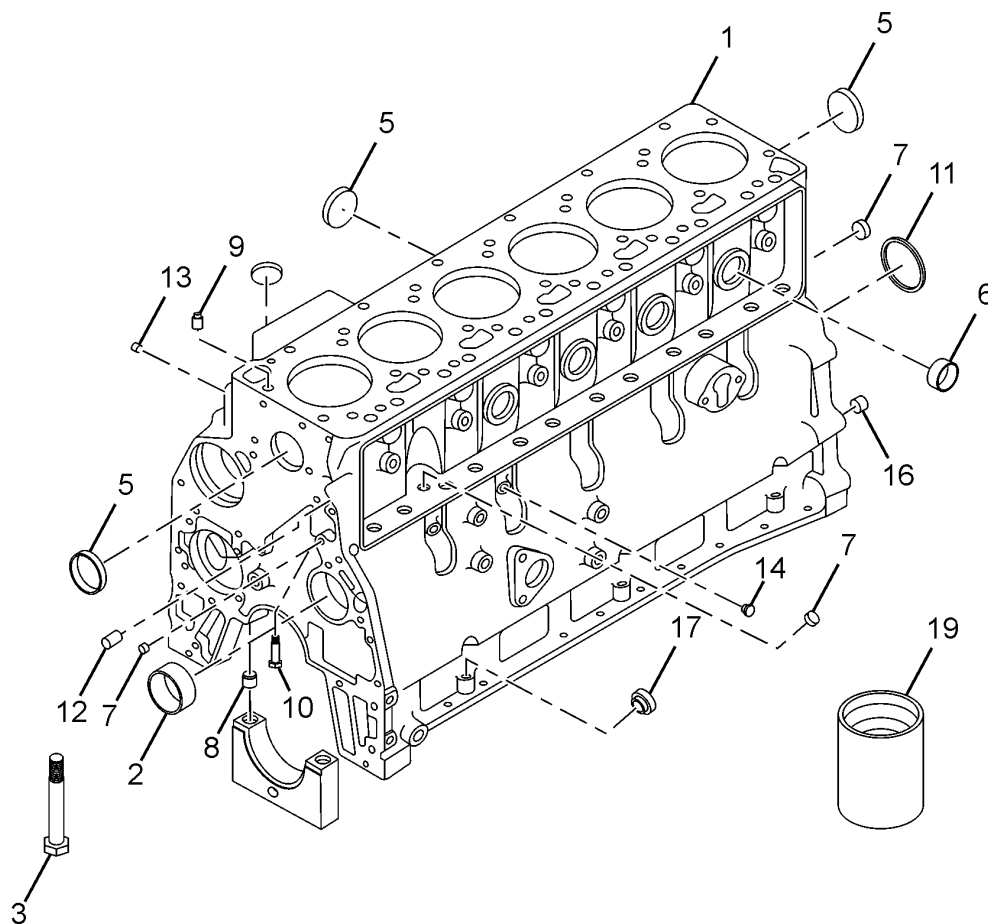
GROUP 01

CHASSIS TYPE: ALL

NO IMAGE

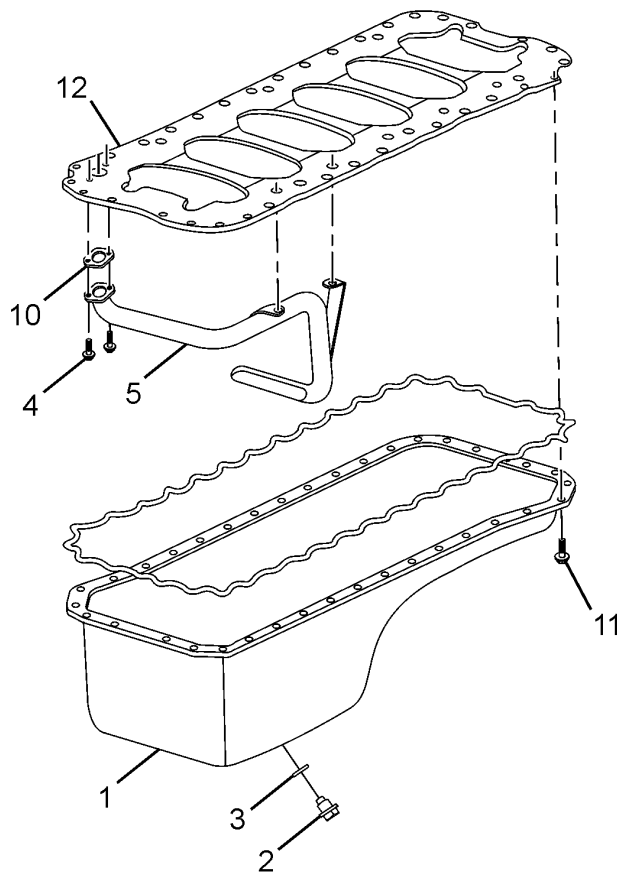
00.01.02		ENGINE GASKET KIT		GROUP 01	
CHASSIS TYPE: ALL					
FIG. NO.	PART NUMBER	DESCRIPTION	QTY	REMARKS	
16	-	SEAL 'O' RING	1		
17	-	SEAL 'O' RING	1		
18	-	WASHER SEALING	1		
19	-	WASHER SEALING	1		
20	-	GASKET FLANGE	1		
21	-	SEAL RECTANGULAR RING	1		
22	-	SEAL RECTANGULAR RING	1		
23	-	NOZZLE PISTON COOLING	6		

CHASSIS TYPE: ALL



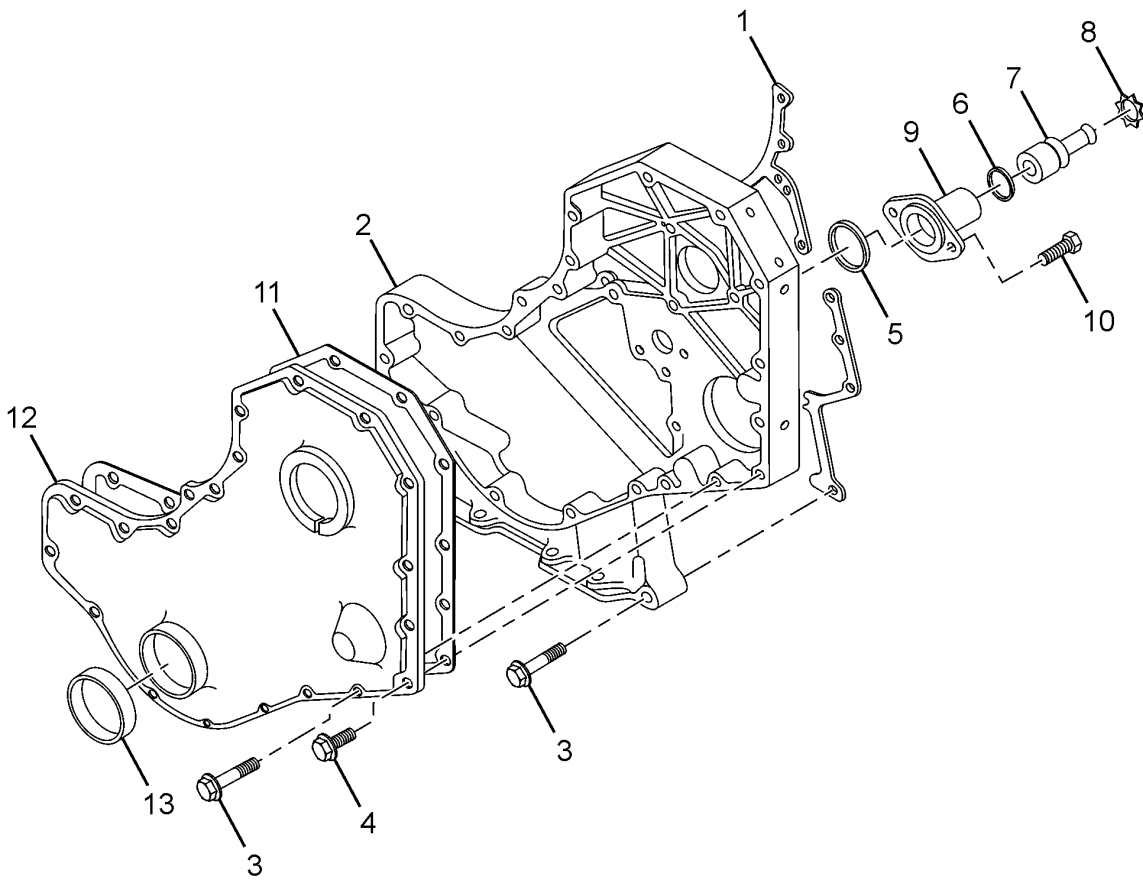
00.01.03		CYLINDER BLOCK		GROUP 01
CHASSIS TYPE: ALL				
FIG. NO.	PART NUMBER	DESCRIPTION	QTY	REMARKS
1	278601990110	CYLINDER BLOCK STD	1	
2	278601999902	BUSHING	1	
3	278601999903	SCREW HEX. HEAD CAP M 14X2.0X119	14	
5	278601999905	PLUG EXPANSION	6	
6	278601999906	PLUG EXPANSION	4	
7	278601999907	PLUG EXPANSION 17.73 MM	3	REPAIR PURPOSE
8	278601999914	DOWEL RING M 18X10	14	
9	278601999908	DOWEL RING M 16X10	2	
10	278618999934	NOZZLE PISTON COOLING	6	
11	278601999910	PLUG EXPANSION	1	
12	278601999911	DOWEL PIN M 10X16	2	
13	278607999953	PLUG PIPE	1	
14	278601999913	PLUG PIPE	1	
16	278601999914	DOWEL RING	2	
17	278601999915	PLUG EXPANSION	2	
2	278605999934	BUSHING (OVERSIZE FOR NO. 1 BORE)	1	
2	278607999980	BUSHING (OVERSIZE FOR NO. 2 - 7 BORE)	6	REPAIR PURPOSE
19	278601999916	SLEEVE SALVAGE (STANDARD BORE)	6	REPAIR PURPOSE
-	278605999937	PLUG, EXPANSION (AT THE SIDE OF THE BLOCK FOR OIL FILL)	1	
-	278601999982	BREATHER KIT	1	
-	278607999967	CLAMP HOSE	3	
-	278605999906	HOSE, PLAIN	1	
-	278601999918	SEAL, RECTANGULAR RING	1	

CHASSIS TYPE: ALL



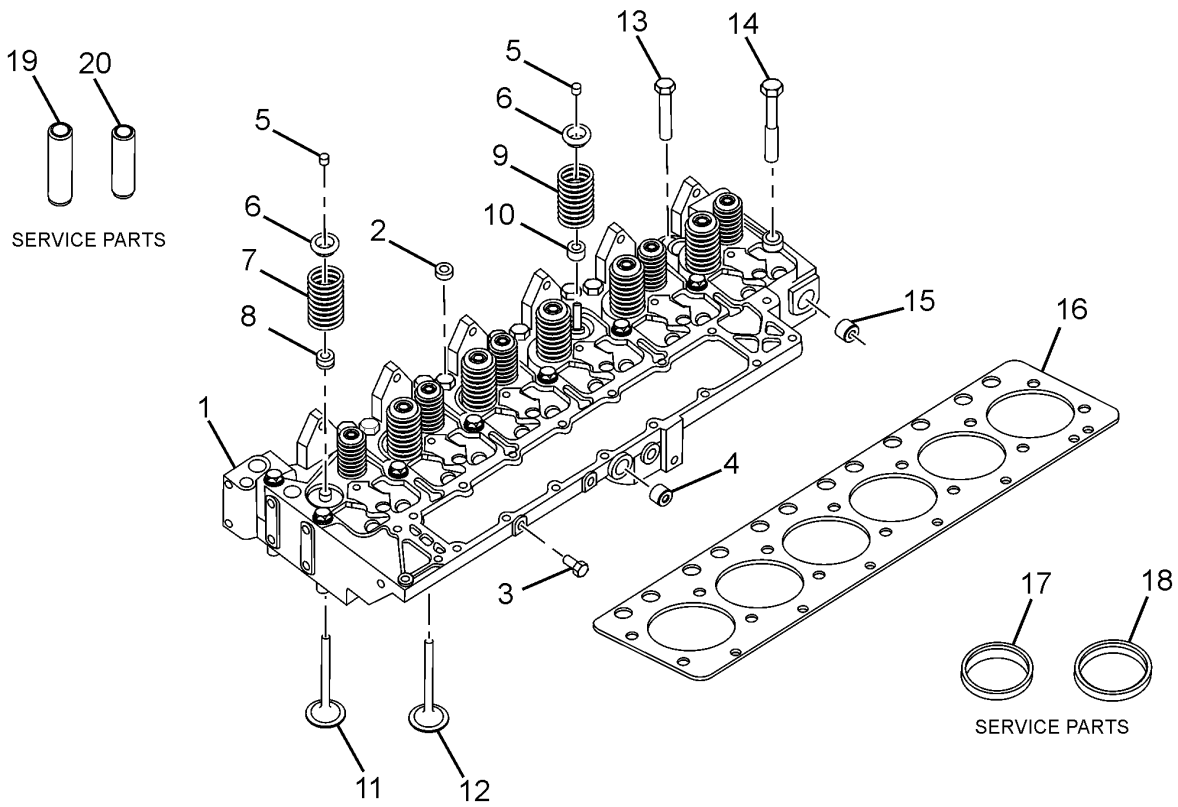
00.01.04		OIL PAN		GROUP 01	
CHASSIS TYPE: ALL					
FIG. NO.	PART NUMBER	DESCRIPTION	QTY	REMARKS	
1	278618999935	PAN OIL	1		
2	278618999919	PLUG THREADED, M8 X 1.50	1		
3	278618999920	WASHER SEALING	1		
4	278613998001	SCREW HEX. FLANGE HEAD CAP M 8X1.25X20	4		
5	278618999921	CONNECTION OIL SUCTION	1		
10	278618999924	GASKET FLANGE	1		
11	278618999925	SCREW HEX. FLANGE HEAD CAP	36		
12	278618999927	PLATE CYLINDER BLOCK STIFFNER (BED PLATE)	1		

CHASSIS TYPE: ALL



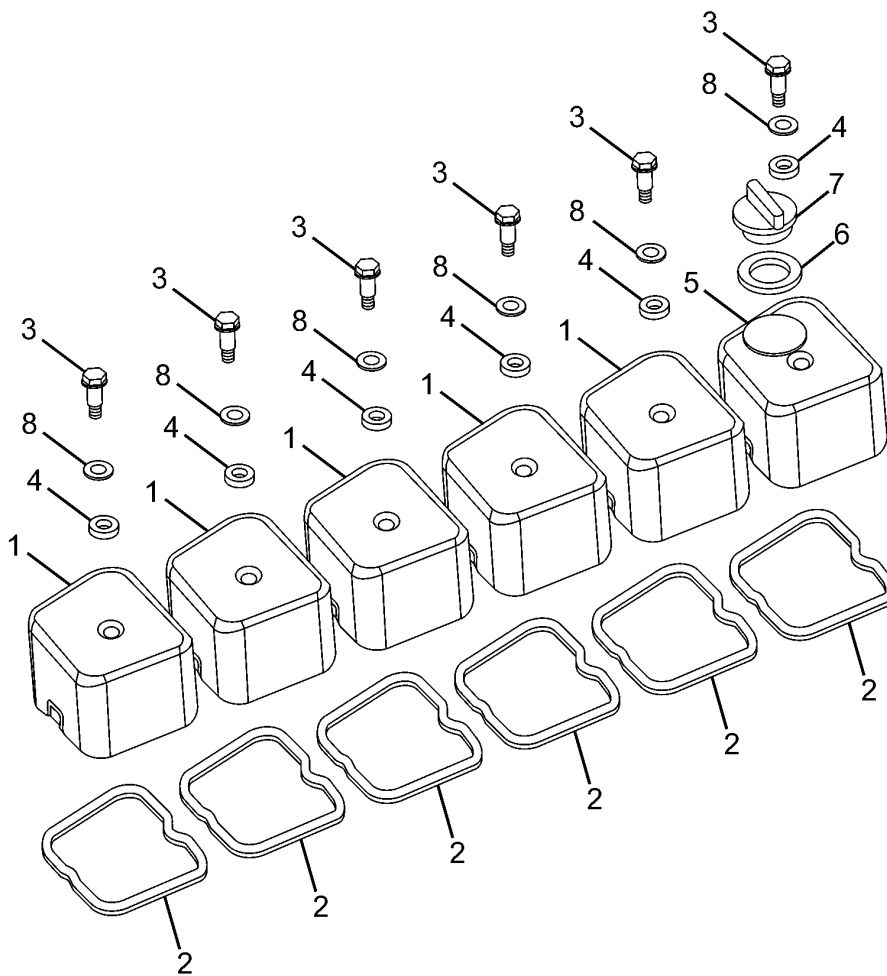
00.01.05		FRONT GEAR COVER		GROUP 01	
CHASSIS TYPE: ALL					
FIG. NO.	PART NUMBER	DESCRIPTION	QTY	REMARKS	
1	278607999918	GASKET GEAR HOUSING	1		
2	278603999924	HOUSING GEAR	1		
3	278603999926	SCREW HEX. FLANGE HEAD CAP M 8X1.25X50	11		
4	278603999927	SCREW HEX. FLANGE HEAD CAP M 8X1.25X16	16		
5	278603999928	SEAL RECTANGULAR RING	1		
6	278603999930	SEAL 'O' RING	1		
7	278603999931	PIN TIMING	1		
8	278603999932	RING RETAINING	1		
9	278603999933	HOUSING TIMING PIN	1		
10	278607999954	SCREW ROUND HEAD CAP M 5X0.8X17	2		
11	278607999926	GASKET GEAR COVER	1		
12	278601999995	COVER GEAR	1		
13	278603999935	SEAL OIL	1		

CHASSIS TYPE: ALL



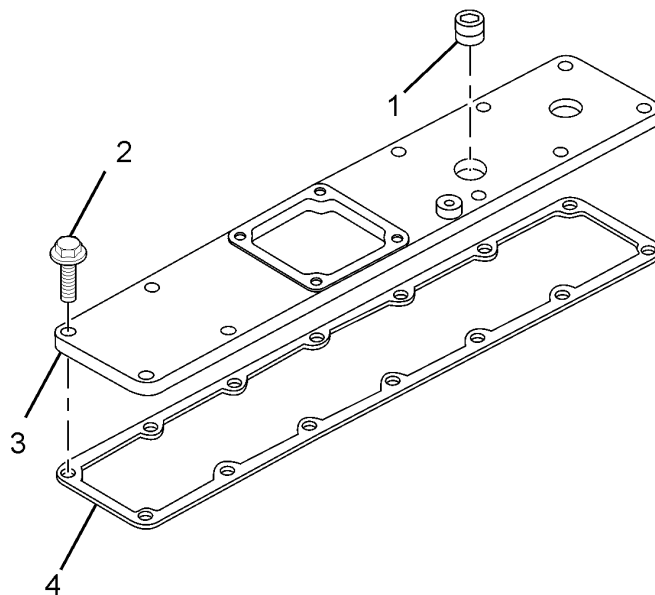
00.01.06		CYLINDER HEAD		GROUP 01
CHASSIS TYPE: ALL				
FIG. NO.	PART NUMBER	DESCRIPTION	QTY	REMARKS
1	278601990112	ASSY. CYLINDER HEAD	1	
2	278601999920	PLUG EXPANSION	5	
3	278601999913	PLUG PIPE	2	
4	278607999953	PLUG PIPE	5	
5	278601999925	COLLET VALVE	24	
6	278605999957	RETAINER VALVE SPRING	12	
7	278601999912	SPRING COMPRESSION	6	
8	278601999923	SEAL VALVE STEM	6	
9	278601999921	SPRING VALVE	6	
10	278601999924	SEAL VALVE STEM	6	
11	278601999926	VALVE INTAKE	6	
12	278601999928	VALVE EXHAUST	6	
13	278601999929	SCREW HEX. HEAD CAP	6	
14	278601999930	SCREW HEX. HEAD CAP	14	
15	278601999944	PLUG PIPE	1	
16	278601999931	GASKET CYLINDER HEAD STD	1	
16	278601999932	GASKET CYLINDER HEAD 0.25 MM OVER SIZE THICKNESS	1	SERVICE PART
16	278601999933	GASKET CYLINDER HEAD 0.50 MM OVER SIZE THICKNESS	1	SERVICE PART
17	278601999934	INSERT VALVE EXHAUST	AR	SERVICE PART
18	278601999935	INSERT VALVE INTAKE	AR	SERVICE PART
19	278601999936	GUIDE VALVE STEM (THK WALL 60.5 MM LG) INTAKE	AR	REPAIR PURPOSE
20	278601999937	GUIDE VALVE STEM (THK WALL 51.75 MM LG) EXH.	AR	REPAIR PURPOSE
-	278605999950	KIT GUIDE VALVE STEM EXHAUST CONSISTING OF :	1	
-	-	GUIDE VALVE STEM EXHAUST	6	
-	278605999949	KIT GUIDE VALVE STEM INTAKE CONSISTING OF :	1	
-	-	GUIDE VALVE STEM INTAKE	6	
-	278605999947	KIT INSERT EXHAUST VALVE CONSISTING OF :	1	
-	-	INSERT EXHAUST VALVE	6	
-	278605999948	KIT INSERT INTAKE VALVE CONSISTING OF :	1	
-	-	INSERT INTAKE VALVE	6	

CHASSIS TYPE: ALL



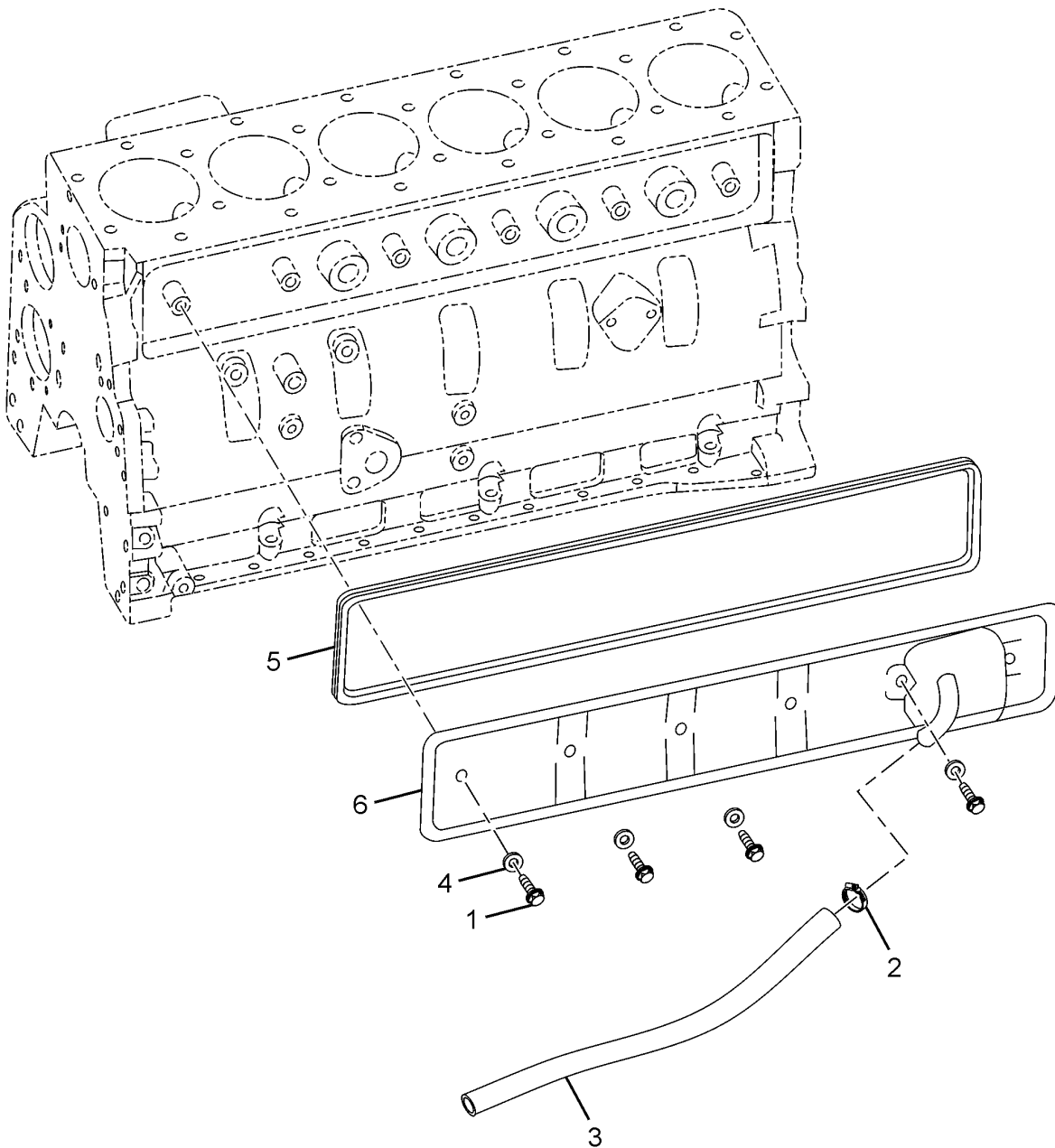
00.01.07		VALVE COVER		GROUP 01	
CHASSIS TYPE: ALL					
FIG. NO.	PART NUMBER	DESCRIPTION	QTY	REMARKS	
1	278605999927	COVER VALVE	5		
2	278605999928	GASKET VALVE COVER	6		
3	278605999929	SCREW HEX. FLANGE HEAD CAP M 8X1.25X21	6		
4	278605999930	ISOLATOR NOISE	6		
5	278605999932	COVER VALVE	1		
6	278607999982	SEAL, RECTANGULAR RING	1		
7	278607999984	CAP, FILLER	1		
8	278609999919	WASHER, PLAIN	6		

CHASSIS TYPE: ALL



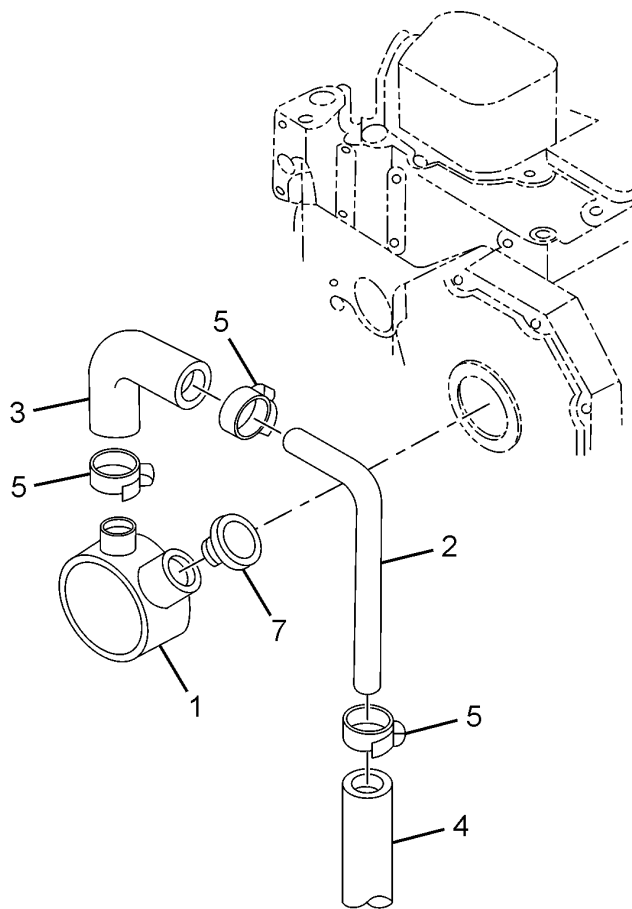
00.01.08		INTAKE MANIFOLD		GROUP 01	
CHASSIS TYPE: ALL					
FIG. NO.	PART NUMBER	DESCRIPTION	QTY	REMARKS	
1	278601999945	PLUG, PIPE (1/2, 14 NPTF)	1		
2	278609999901	SCREW HEX. FLANGE HEAD CAP M 8X1.25X25	8		
3	278601999961	COVER, INTAKE MANIFOLD	1		
4	278609999937	GASKET COVER INTAKE MANIFOLD	1		

CHASSIS TYPE: ALL



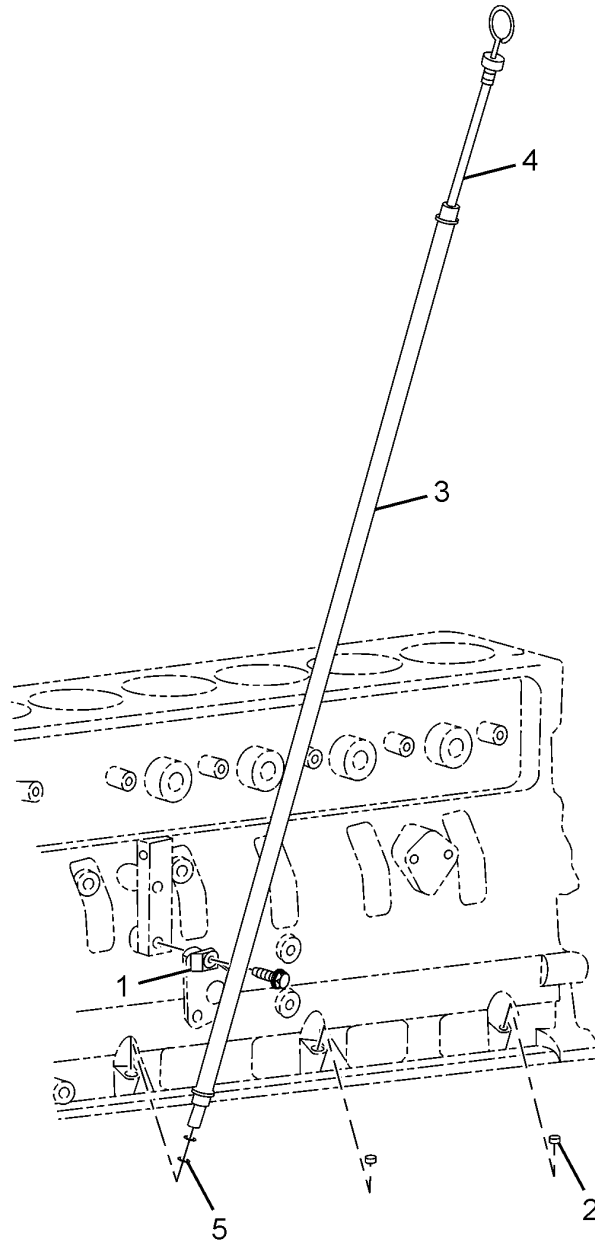
00.01.09		CAM FOLLOWER COVER		GROUP 01
CHASSIS TYPE: ALL				
FIG. NO.	PART NUMBER	DESCRIPTION	QTY	REMARKS
1	278605999905	SCREW, HEX FLANGE (M8 X 1.25 X 16)	4	
2	278605999907	CLAMP SPRING HOSE	1	
3	278605999906	HOSE,PLAIN	1	
4	278605999904	SEAL,GROMMET	4	
5	278605999901	GASKET,PUSH ROD	1	
6	278605999903	COVER,PUSH ROD	1	

CHASSIS TYPE: ALL



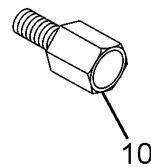
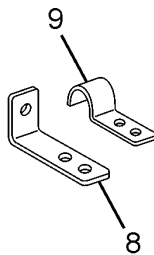
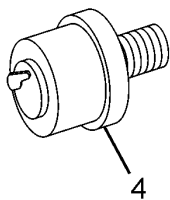
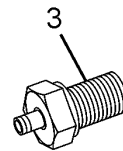
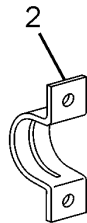
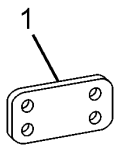
00.01.10		OIL FILL LOCATION		GROUP 01
CHASSIS TYPE: ALL				
FIG. NO.	PART NUMBER	DESCRIPTION	QTY	REMARKS
-	278601999982	KIT BREATHER CRANKCASE CONSIST OF;	1	
1	-	BREATHER	1	
2	-	TUBE,BREATHER	1	
3	-	HOSE,ELBOW	1	
4	-	HOSE,PLAIN	1	
5	-	CLAMP,HOSE	3	
-	-	SEAL RECTANGULAR	1	
7	-	CAP FILLER	1	

CHASSIS TYPE: ALL



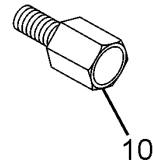
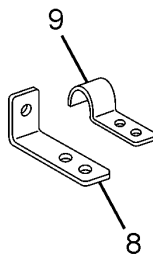
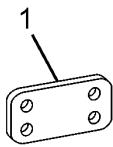
00.01.11		DIP STICK		GROUP 01	
CHASSIS TYPE: ALL					
FIG. NO.	PART NUMBER	DESCRIPTION	QTY	REMARKS	
1	278601999803	CLAMP,TUBE	1		
2	278601999915	PLUG EXPANSION	2		
3	278601999807	TUBE,OIL GAUGE	1		
4	278601999809	DIPSTICK	1		
5	278618999967	SEAL 'O'RING	2		

CHASSIS TYPE: 389068; 389067



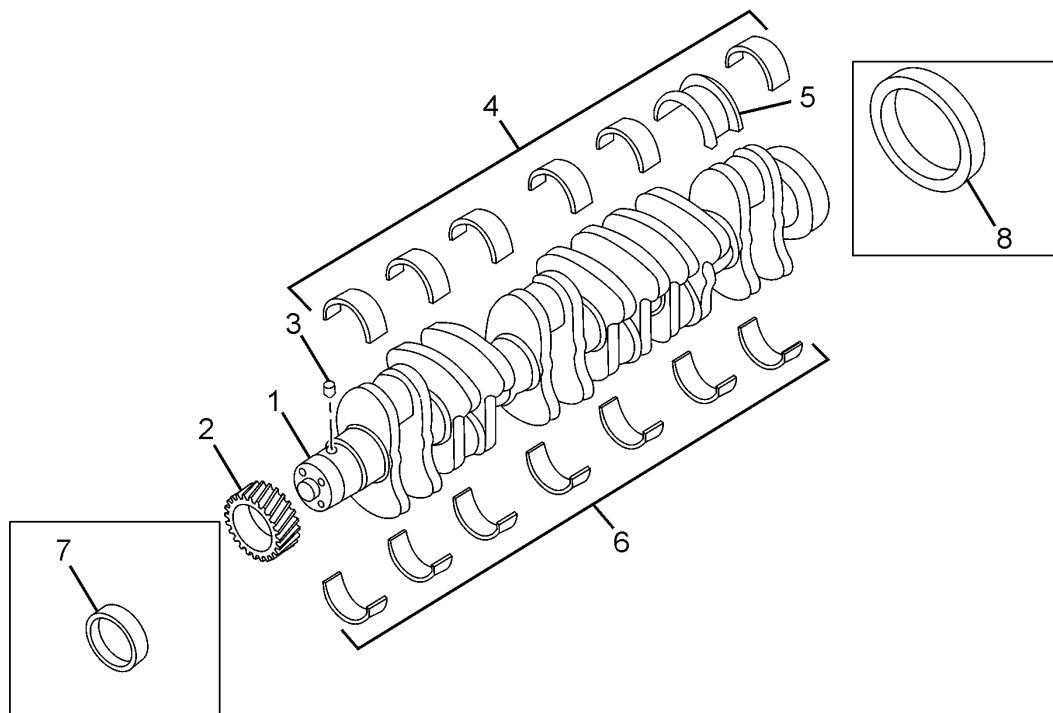
00.01.12A		FITMENTS ON ENGINE		GROUP 01
CHASSIS TYPE: 389068; 389067				
FIG. NO.	PART NUMBER	DESCRIPTION	QTY	REMARKS
1	278603114701	BOTTOM COVER (FLY WHEEL HSG)	1	
2	206842903308	BRACKET (FUEL PRE FILTER)	1	
-	278509114201	CLAMP (BABY FILTER)	1	
3	275454309901	TEMPREATURE TRANSDUCER	1	
4	265454509913	OIL PRESSURE SWITCH	1	
8	278601173306	BRACKET (DIPSTICK MOUNTING)	1	
9	278601174204	CLAMP	1	
10	278618179901	ADAPTER (FOR OIL PR.TRANSDUCER)	1	
-	278509118001	SCREW	2	
-	278601170119	OIL FILTER PIPE	1	
-	278601170117	ASSY BRACKET	1	TO HOLD OIL FILTER PIPE
-	252301175814	TUBE,OIL FILTER	1	

CHASSIS TYPE: 389277



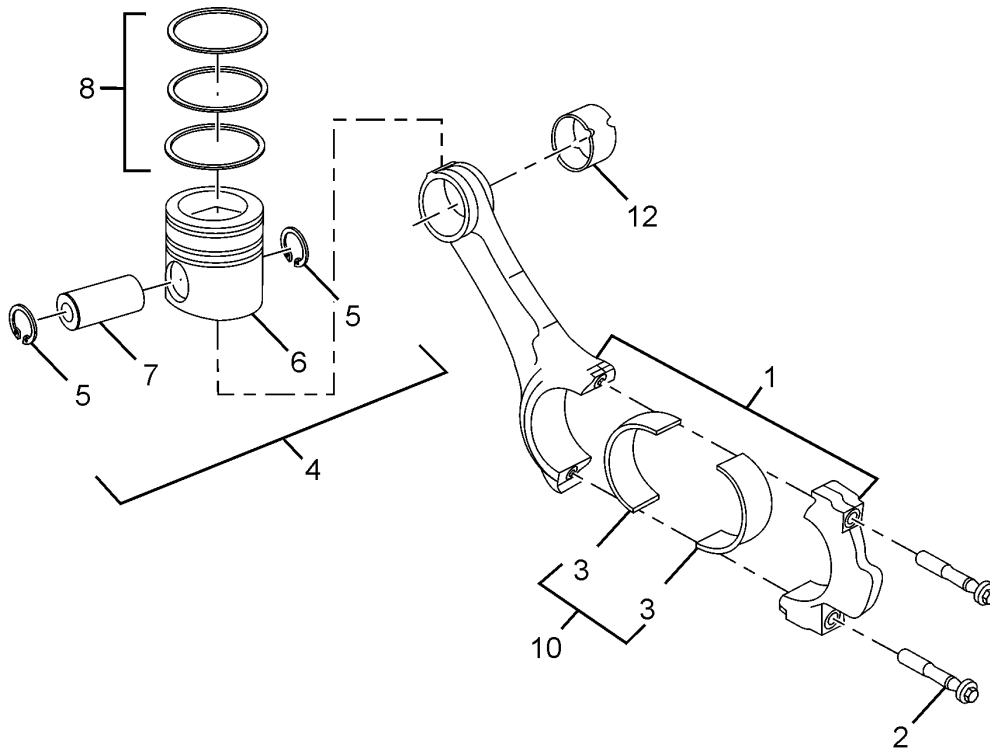
00.01.12B		FITMENTS ON ENGINE		GROUP 01
CHASSIS TYPE: 389277				
FIG. NO.	PART NUMBER	DESCRIPTION	QTY	REMARKS
1	278603114701	BOTTOM COVER (FLY WHEEL HSG)	1	
-	278509114201	CLAMP (BABY FILTER)	1	
	207354309901	TEMP. TRANSDUCER	1	
	265454500139	OIL PRESSURE SWITCH (M/s.PMP)	1	
8	278601173306	BRACKET (DIPSTICK MOUNTING)	1	
9	278601174204	CLAMP	1	
10	278618179901	ADAPTER (FOR OIL PR.TRANSDUCER)	1	
-	278509118001	SCREW	1	
-	278601170119	OIL FILTER PIPE	1	
-	278601170117	ASSY BARCKET	1	TO HOLD OIL FILTER PIPE
-	252301175814	TUBE,OIL FILTER	1	

CHASSIS TYPE: ALL



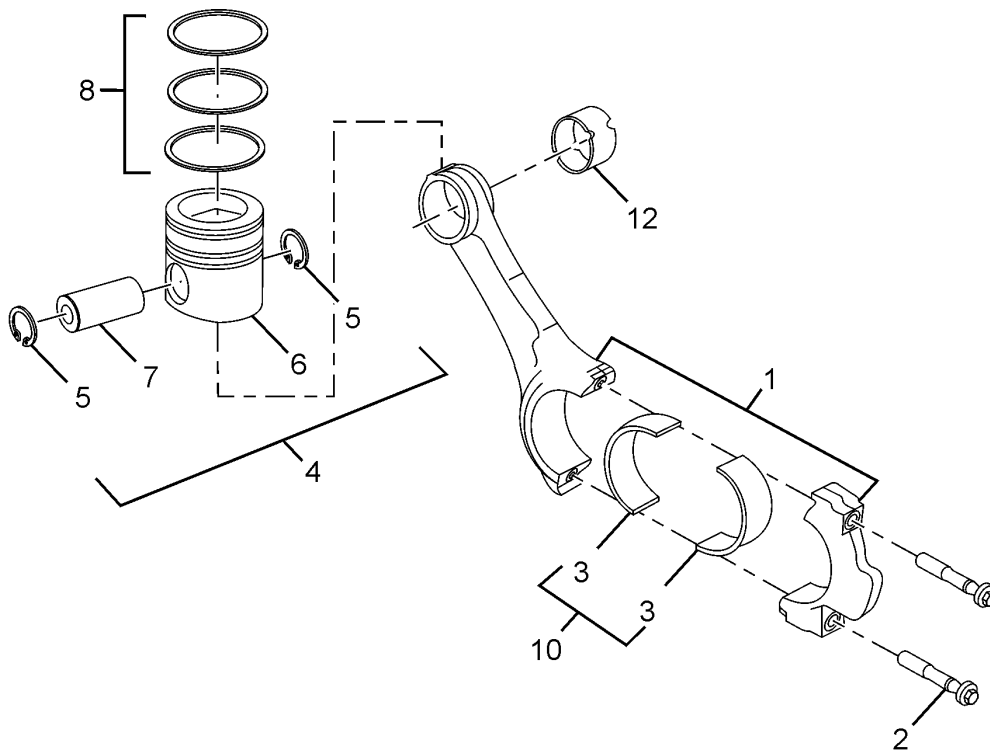
00.03.01		CRANKSHAFT AND MAIN BEARING		GROUP 03
CHASSIS TYPE: ALL				
FIG. NO.	PART NUMBER	DESCRIPTION	QTY	REMARKS
1	278603990103	ASSY.CRANKSHAFT	1	
2	278603999905	GEAR CRANKSHAFT	1	
3	278603999906	DOWEL PIN	1	
-	278601999801	SET OF MAIN BEARING(STD)CONSISTING OF:	1	SERVICED AS A SET
4	-	BEARING MAIN(UPPER)	6	
5	-	BEARING MAIN(LOWER)	7	
6	-	BEARING CRANKSHAFT(THRUST)	1	
-	278601999802	SET OF MAIN BEARING(RSI) CONSISTING OF: (0.25MM OVER SIZE)	1	SERVICED AS A SET
4	-	BEARING MAIN(UPPER)	6	
5	-	BEARING MAIN(LOWER)	7	
6	-	BEARING CRANKSHAFT(THRUST)	1	
-	278603990106	SET OF MAIN BEARING(RSII) CONSISTING OF: (0.50MM OVER SIZE)	1	SERVICED AS A SET
4	-	BEARING MAIN(UPPER)	6	
5	-	BEARING MAIN(LOWER)	7	
6	-	BEARING CRANKSHAFT(THRUST)	1	
-	278603990107	SET OF MAIN BEARING (RSIII)CONSISTING OF: (0.75MM OVER SIZE)	1	SERVICED AS A SET
4	-	BEARING MAIN(UPPER)	6	
5	-	BEARING MAIN(LOWER)	7	
6	-	BEARING CRANKSHAFT(THRUST)	1	
-	278603990108	SET OF MAIN BEARING(RSIV) CONSISTING OF: (1.00MM OVER SIZE)	1	SERVICED AS A SET
4	-	BEARING MAIN(UPPER)	6	
5	-	BEARING MAIN(LOWER)	7	
6	-	BEARING CRANKSHAFT(THRUST)	1	
7	278603999907	SLEEVE WEAR(FRONT)	1	SERVICE PART
8	278603999908	SLEEVE WEAR(REAR)	1	SERVICE PART

CHASSIS TYPE: ALL



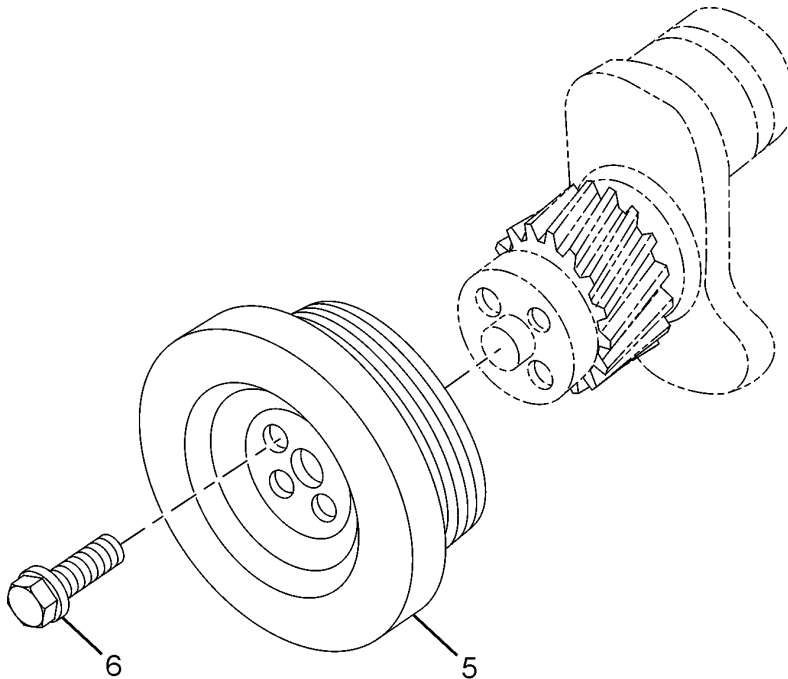
00.03.02		CONNECTING ROD AND PISTON		GROUP 03	
CHASSIS TYPE: ALL					
FIG. NO.	PART NUMBER	DESCRIPTION	QTY	REMARKS	
1	278603990102	ASSY. CON. ROD	6		
2	278603999901	SCREW CONNECTING ROD M 11X1.25X59	12		
3	-	BEARING CON. ROD (STD)	12	NOT SERVICED LOOSE	
		BARE PISTON SET			
4	278603999973	SET OF BARE PISTON STD (EURO I & II) CONSISTS OF:	1	SERVICED AS A SET	
6	-	PISTON	6	NOT SERVICED LOOSE	
7	-	PIN PISTON	6	NOT SERVICED LOOSE	
5	-	RETAINING RING	12	NOT SERVICED LOOSE	
4	278603999975	SET OF BARE PISTON R/S I (EURO I & II) CONSISTS OF :	1	SERVICED AS A SET	
6	-	PISTON	6	NOT SERVICED LOOSE	
7	-	PIN PISTON	6	NOT SERVICED LOOSE	
5	-	RING RETAINING	12	NOT SERVICED LOOSE	
4	278603999940	SET OF BARE PISTON R/S II (EURO I & II) CONSISTS OF :	1	SERVICED AS A SET	
6	-	PISTON	6	NOT SERVICED LOOSE	
7	-	PIN PISTON	6	NOT SERVICED LOOSE	
5	-	RING RETAINING	12	NOT SERVICED LOOSE	
		PISTON RING SET			
8	278603999977	SET OF PISTON RINGS STD (EURO I & II) CONSISTS OF :	1	SERVICED AS A SET	
-	-	OIL RING	6	NOT SERVICED LOOSE	
-	-	COMPRESSION RING	6	NOT SERVICED LOOSE	
-	-	COMPRESSION RING	6	NOT SERVICED LOOSE	
8	278603999978	SET OF PISTON RINGS R/S I (EURO I & II) CONSISTS OF :	1	SERVICED AS A SET	

CHASSIS TYPE: ALL



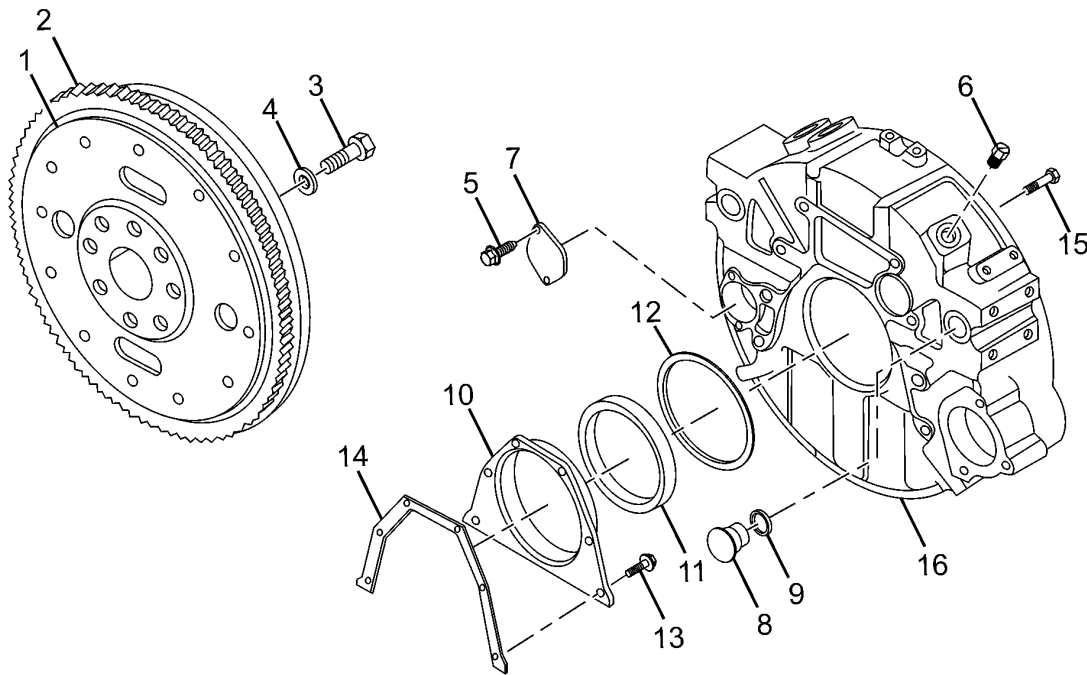
00.03.02		CONNECTING ROD AND PISTON		GROUP 03
CHASSIS TYPE: ALL				
FIG. NO.	PART NUMBER	DESCRIPTION	QTY	REMARKS
-	-	OIL RING	6	NOT SERVICED LOOSE
-	-	COMPRESSION RING	6	NOT SERVICED LOOSE
-	-	COMPRESSION RING	6	NOT SERVICED LOOSE
8	278603999979	SET OF PISTON RINGS R/S II (EURO I & II) CONSISTS OF :	1	SERVICED AS A SET
-	-	OIL RING	6	NOT SERVICED LOOSE
-	-	COMPRESSION RING	6	NOT SERVICED LOOSE
-	-	COMPRESSION RING	6	NOT SERVICED LOOSE
		CON. ROD BEARING SET		
10	278603999980	SET OF CON. ROD BEARING STD CONSISTS OF :	1	SERVICED AS A SET
3	-	BEARING CON. ROD STD	12	NOT SERVICED LOOSE
10	278613999904	SET OF CON. ROD BEARING R/S I CONSISTS OF :	1	SERVICED AS A SET
3	-	BEARING CON. ROD (0.25 MM OVERSIZE)	12	NOT SERVICED LOOSE
10	278613999903	SET OF CON. ROD BEARING R/S II CONSISTS OF :	1	SERVICED AS A SET
3	-	BEARING CON. ROD (0.5 MM OVERSIZE)	12	NOT SERVICED LOOSE
10	278613999902	SET OF CON. ROD BEARING R/S III CONSISTS OF :	1	SERVICED AS A SET
3	-	BEARING CON. ROD (0.75 MM OVERSIZE)	12	NOT SERVICED LOOSE
10	278613999901	SET OF CON. ROD BEARING R/S IV CONSISTS OF :	1	SERVICED AS A SET
3	-	BEARING CON. ROD (1.00 MM OVERSIZE)	12	NOT SERVICED LOOSE
12	278615999923	BUSH CON. ROD	6	

CHASSIS TYPE: ALL



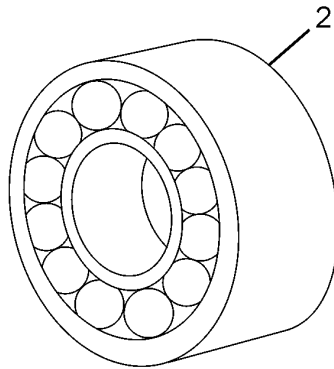
00.03.03		VIBRATION DAMPER		GROUP 03	
CHASSIS TYPE: ALL					
FIG. NO.	PART NUMBER	DESCRIPTION	QTY	REMARKS	
5	4947829	DAMPER VIBRATION	1		
6	278603999937	SCREW TWELVE POINT CAP M 12X1.25X36	4		
-	278603999949	PULLEY, CRANKSHAFT (FOR A/C AIR COMPRESSOR)	1		

CHASSIS TYPE: ALL



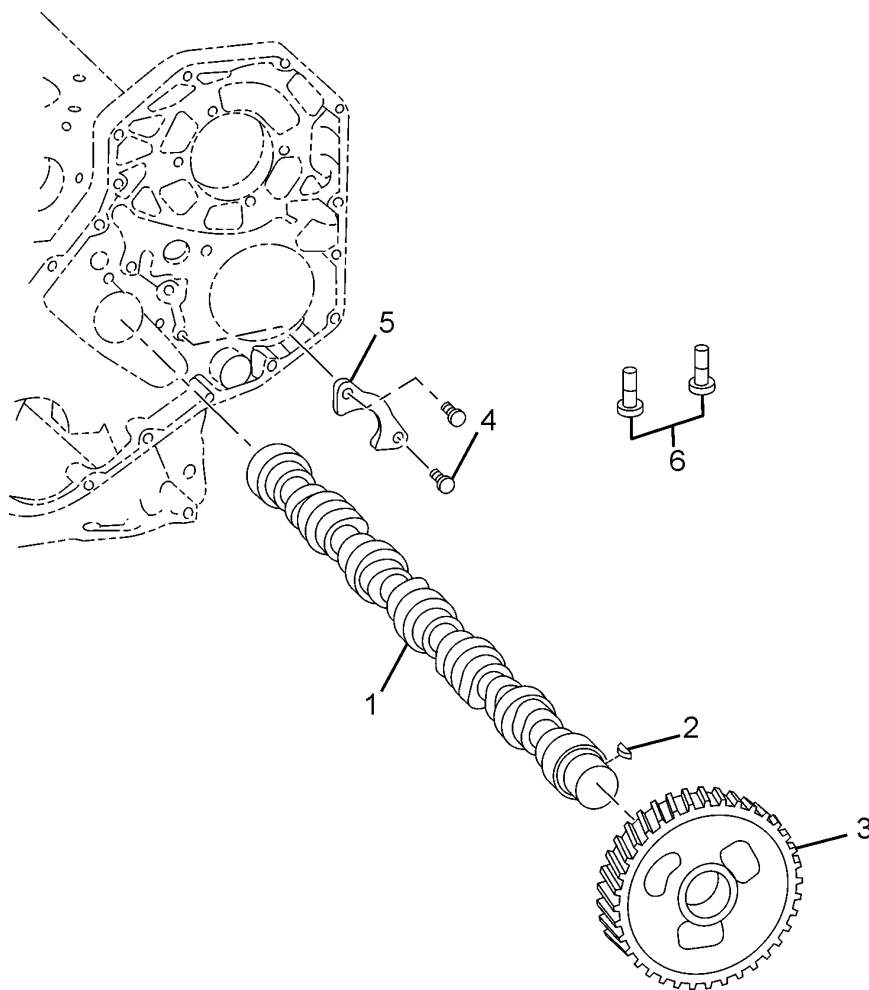
00.03.04		FLYWHEEL AND FLYWHEEL HOUSING		GROUP 03
CHASSIS TYPE: ALL				
FIG. NO.	PART NUMBER	DESCRIPTION	QTY	REMARKS
1	278607989927	ASSY. FLYWHEEL WITH RING GEAR 145 / 160 HP	1	
2	278607989928	RING GEAR 145/160HP (138 TEETH, 4.9 MM THK)	1	
3	278603999910	SCREW HEX. HEAD CAP M12X1.25X32 (FLYWHEEL TO CRANKSHAFT)	8	
4	278603999911	WASHER PLAIN (1.65 THICK, M12) (FLYWHEEL TO CRANKSHAFT)	8	
-	278603999987	BOLT (RING GEAR TO FLYWHEEL)	4	
5	278603999927	SCREW SELF TAPPING M8X1.25X16	2	
6	278603999913	PLUG THREADED	1	
7	278603999914	PLATE COVER	1	
8	278603999915	PLUG 'O' RING	2	
9	278603999916	SEAL 'O' RING	2	
10	278603999918	COVER REAR	1	
11	278618999914	OIL SEAL (COVER REAR)	1	
12	278603999920	SEAL RECTANGULAR RING	1	
13	278607999915	SCREW HEX. FLANGE HEAD CAP M6X1.0X16	6	
14	278603999921	GASKET REAR COVER	1	
15	278603999922	SCREW HEX FLANGE HEAD CAP M12X1.75X40	8	
16	278603999962	HOUSING FLYWHEEL (C.I.)	1	

CHASSIS TYPE: ALL



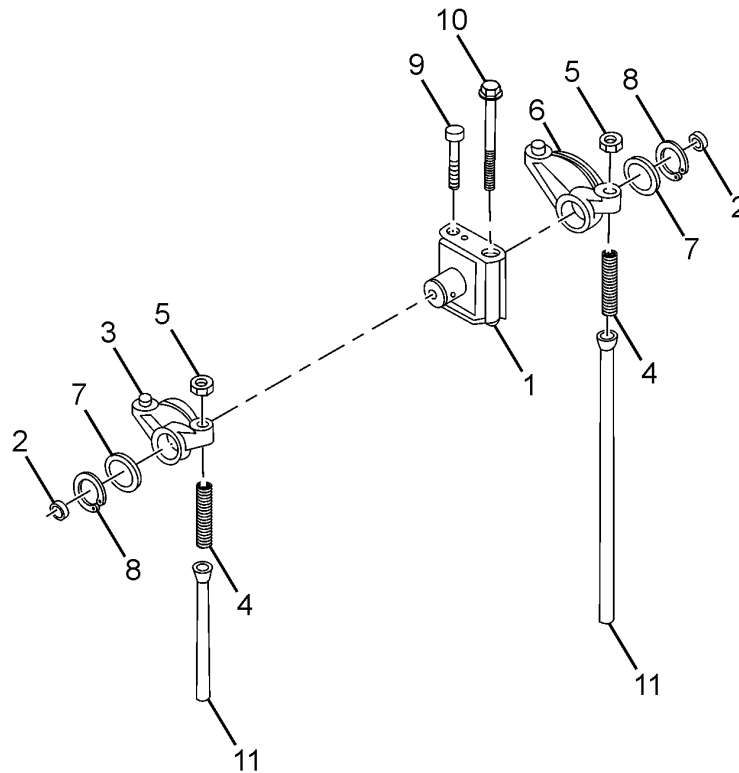
00.03.05		BEARING(CLUTCH)		GROUP 03
CHASSIS TYPE: ALL				
FIG. NO.	PART NUMBER	DESCRIPTION	QTY	REMARKS
2	278603999944	BEARING BALL	1	

CHASSIS TYPE: ALL



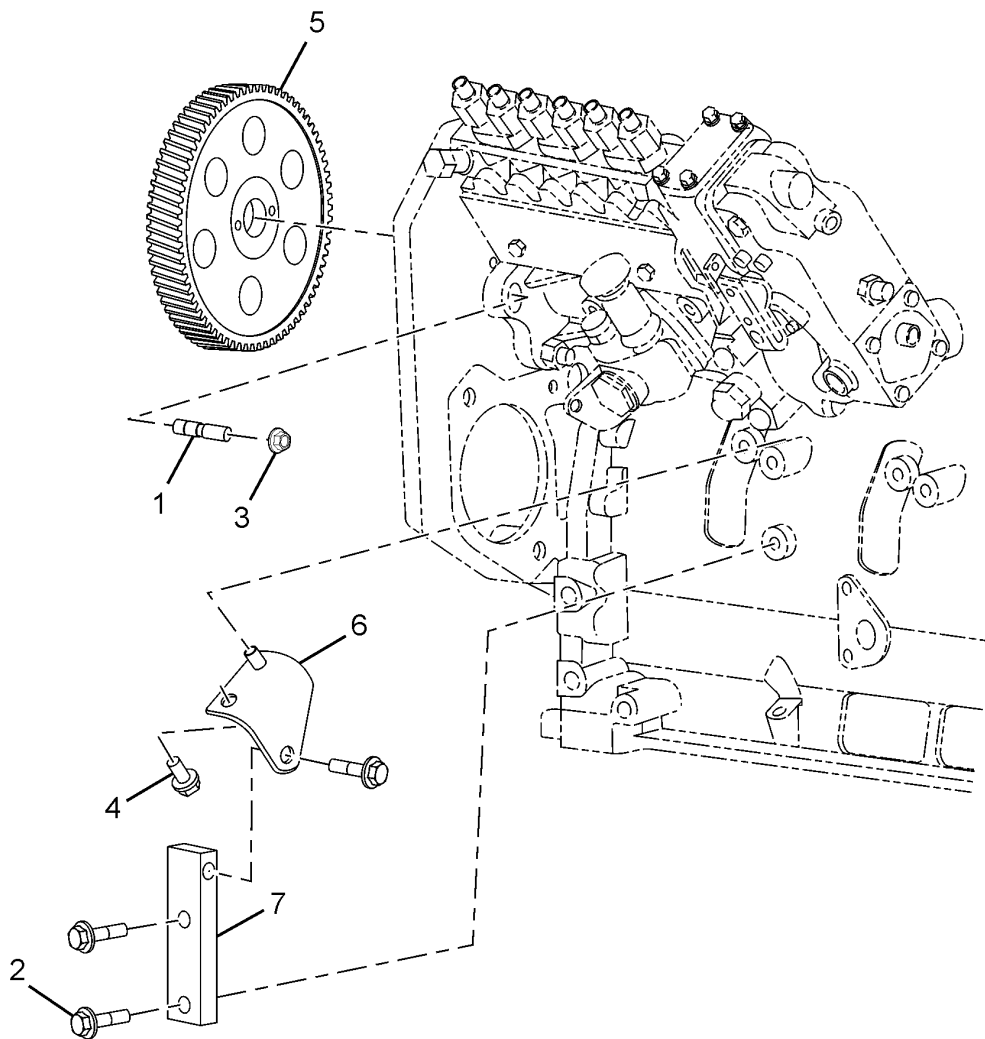
00.05.01		CAMSHAFT AND TAPPETS		GROUP 05	
CHASSIS TYPE: ALL					
FIG. NO.	PART NUMBER	DESCRIPTION	QTY	REMARKS	
1	278605999908	CAMSHAFT	1		
2	278605999909	KEY PLAIN WOODRUFF	1		
3	278605999910	GEAR CAMSHAFT	1		
4	278605999911	SCREW HEX. HEAD CAP M8X1.25X22	2		
5	278605999912	SUPPORT CAMSHAFT	1		
6	278605999913	TAPPET VALVE	12		

CHASSIS TYPE: ALL



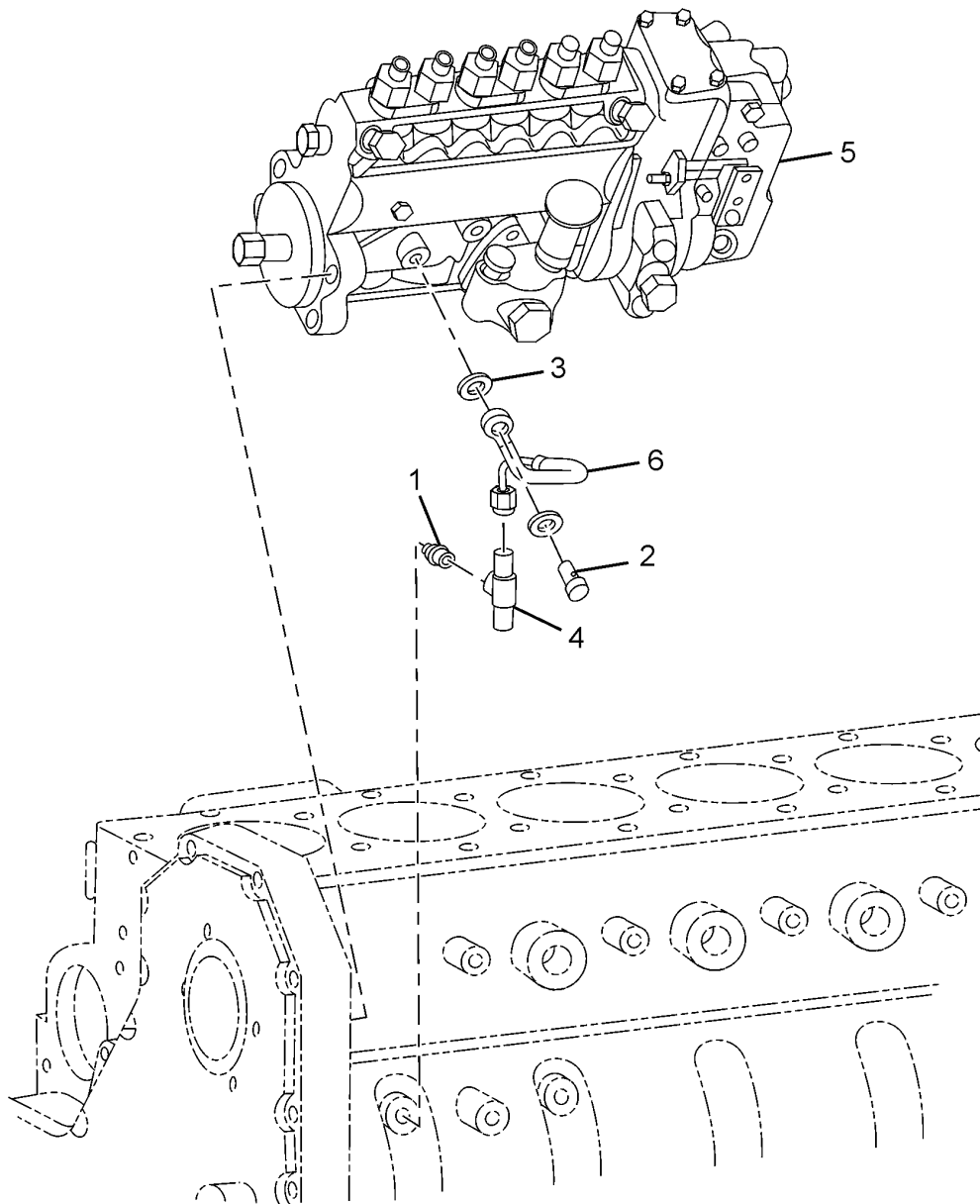
00.05.02		ROCKER LEVER		GROUP 05	
CHASSIS TYPE: ALL					
FIG. NO.	PART NUMBER	DESCRIPTION	QTY	REMARKS	
-	278605999955	ROCKER LEVER SUPPORT ASSY.	1		
1	278605999915	SUPPORT ROCKER LEVER	6		
-	278605999916	SHAFT ROCKER LEVER	6		
2	278603999988	PLUG EXPANSION	12		
3	278605999918	LEVER ROCKER	6		
4	278605999920	SCREW SLOTTED SET	6		
5	278605999931	NUT REGULAR HAXAGON	6		
6	278605999921	LEVER ROCKER	6		
4	278605999920	SCREW SLOTTED SET	6		
5	278605999931	NUT REGULAR HEXAGON	6		
7	278605999923	WASHER PLAIN	12		
8	278605999917	RING RETAINING	12		
9	278605999924	SCREW HEX. HEAD CAP	6		
10	278605999925	SCREW HEX. HEAD CAP	6		
11	278605999926	ROD PUSH	12		

CHASSIS TYPE: ALL



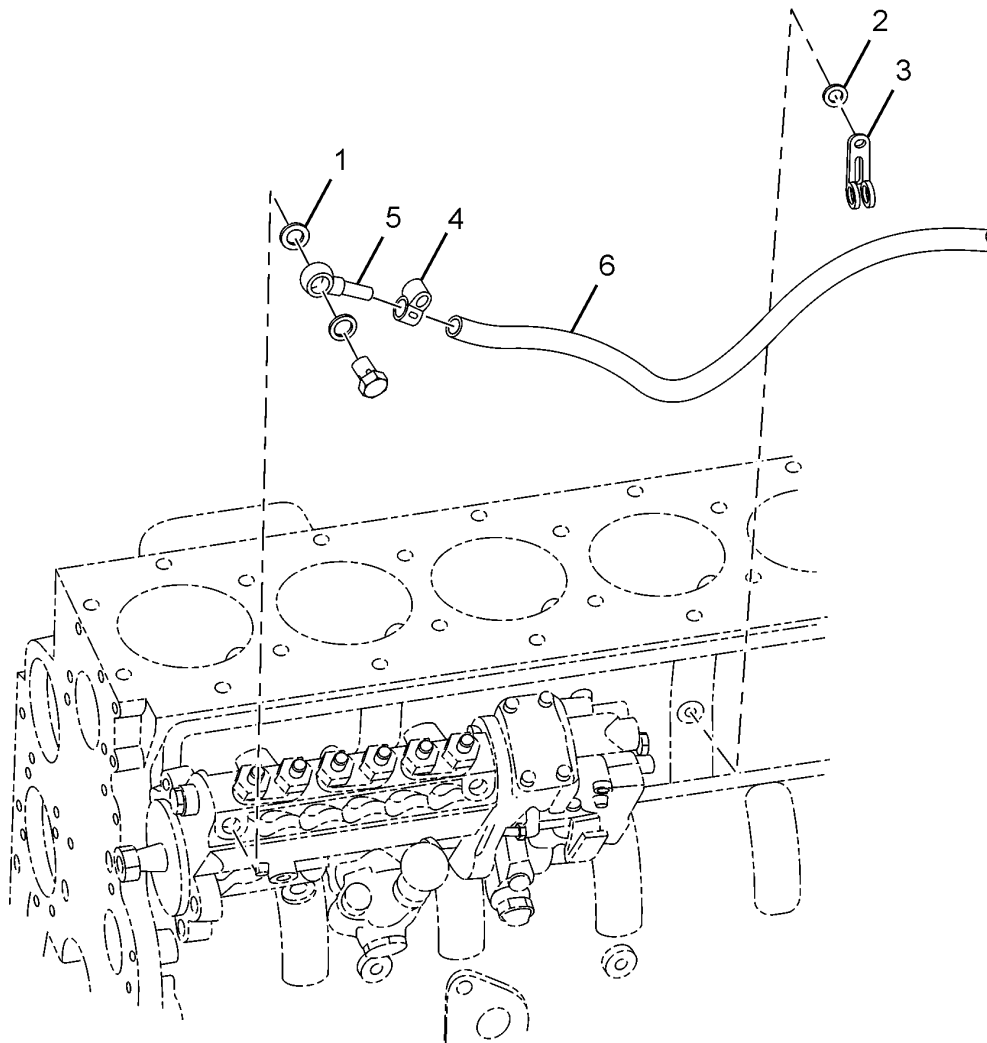
00.07.01		FUEL PUMP COUPLING		GROUP 07	
CHASSIS TYPE: ALL					
FIG. NO.	PART NUMBER	DESCRIPTION	QTY	REMARKS	
1	278620999970	STUD (M10X1.5 BOTH ENDS)	4		
2	278607999906	SCREW,HEX FLANGE (M8X1.25X35)	3		
3	278607999907	NUT,HEX FLANGE (M10X1.50)	4		
4	278607999912	SCREW,HEX FLANGE (M10X1.50X20)	2		
5	278607999812	GEAR,FUEL PUMP	1		
6	278607999810	BRACE,FUEL PUMP	1		
7	278607999811	BRACE,FUEL PUMP	1		

CHASSIS TYPE: ALL



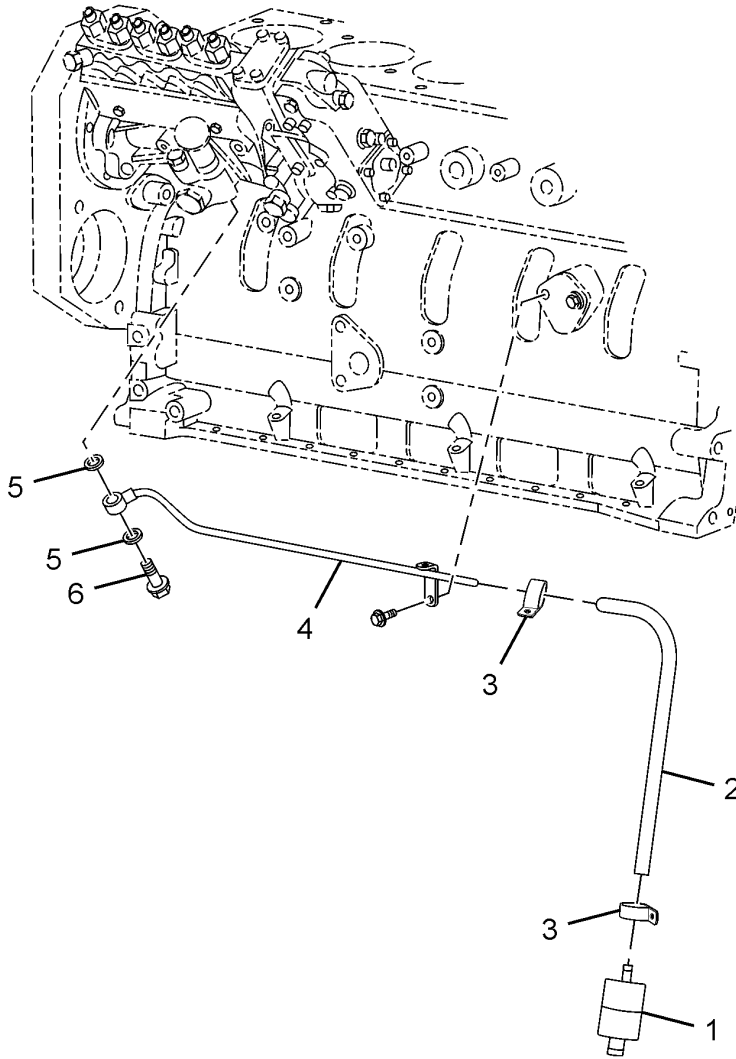
00.07.02		FUEL PUMP BASE		GROUP 07	
CHASSIS TYPE: ALL					
FIG. NO.	PART NUMBER	DESCRIPTION	QTY	REMARKS	
1	278622999906	NIPPLE,PLAIN HEXAGON	1		
2	278607999921	SCREW,BANJO CONNECTOR	1		
3	278607999923	WASHER,SEALING	2		
4	278607999929	TEE,FEMALE BARNCH	1		
5	9400030669	PUMP,FUEL JUNCTION	1		
6	278621999906	HOSE,FLEXIBLE	1		

CHASSIS TYPE: ALL



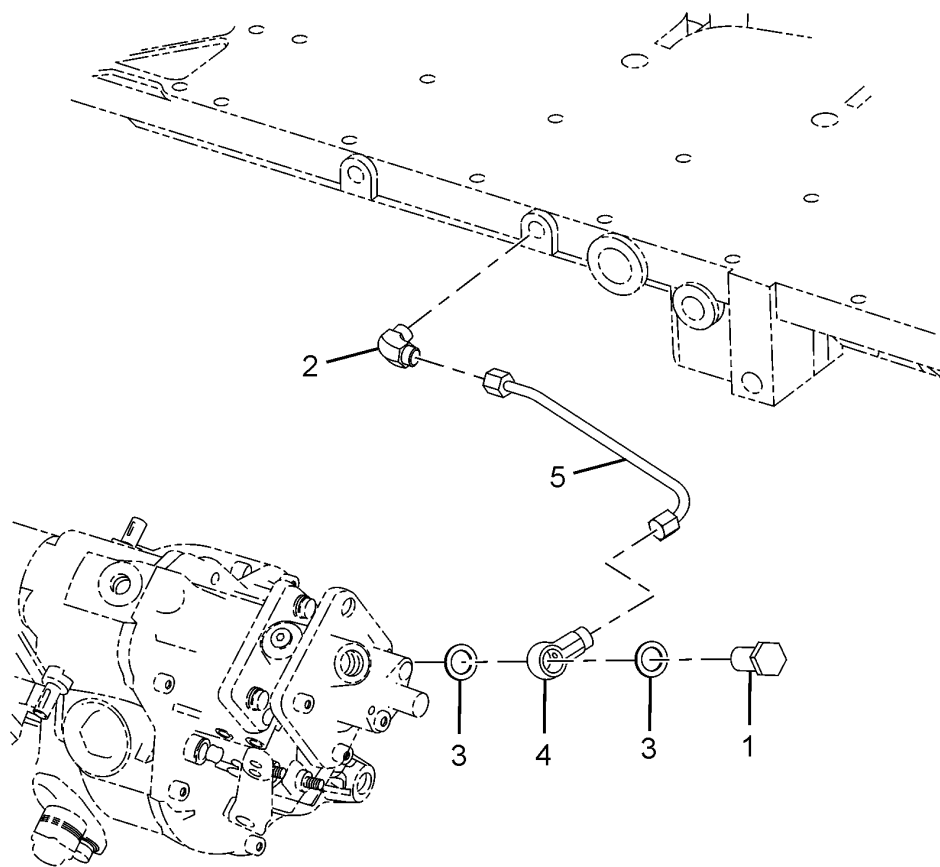
00.07.03		TUBE, FUEL DRAIN		GROUP 07	
CHASSIS TYPE: ALL					
FIG. NO.	PART NUMBER	DESCRIPTION	QTY	REMARKS	
1	278607999925	WASHER,SEALING	2		
2	278605999904	SEAL,GROMMET	1		
3	278605999956	CLAMP	1		
4	278609999922	CLAMP,HOSE	1		
5	278618999937	BANJO CONNECTOR	1		
6	278618999936	HOSE,STRAIGHT	1		

CHASSIS TYPE: ALL



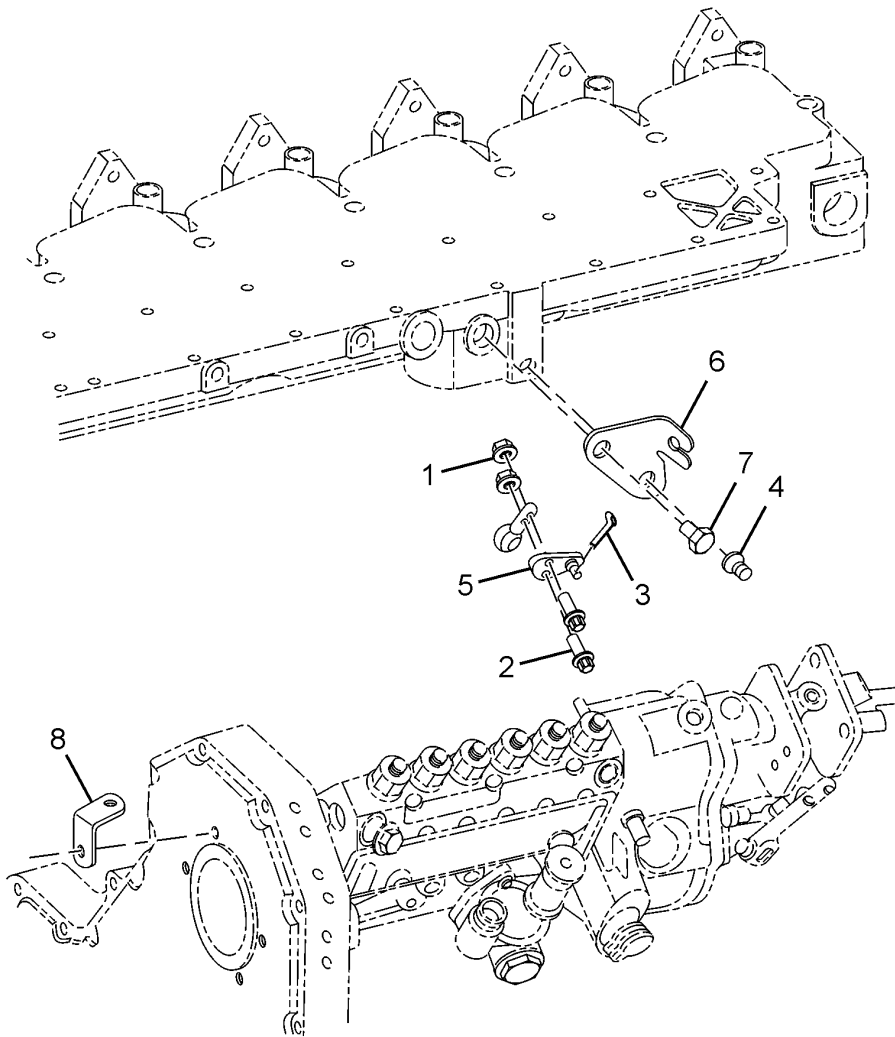
00.07.04		FUEL SYSTEM ACCESSORIES		GROUP 07	
CHASSIS TYPE: ALL					
FIG. NO.	PART NUMBER	DESCRIPTION	QTY	REMARKS	
1	278609999920	STRAINER,FUEL	1		
2	278614999934	HOSE,PLAIN	1		
3	278609999922	CLAMP HOSE	2		
4	278609999924	TUBE FUEL SUPPLY	1		
5	278607999925	WASHER,SEALING	2		
6	278607999930	SCREW,BANJO CONNECTOR (M14X1.50X26)	1		

CHASSIS TYPE: ALL



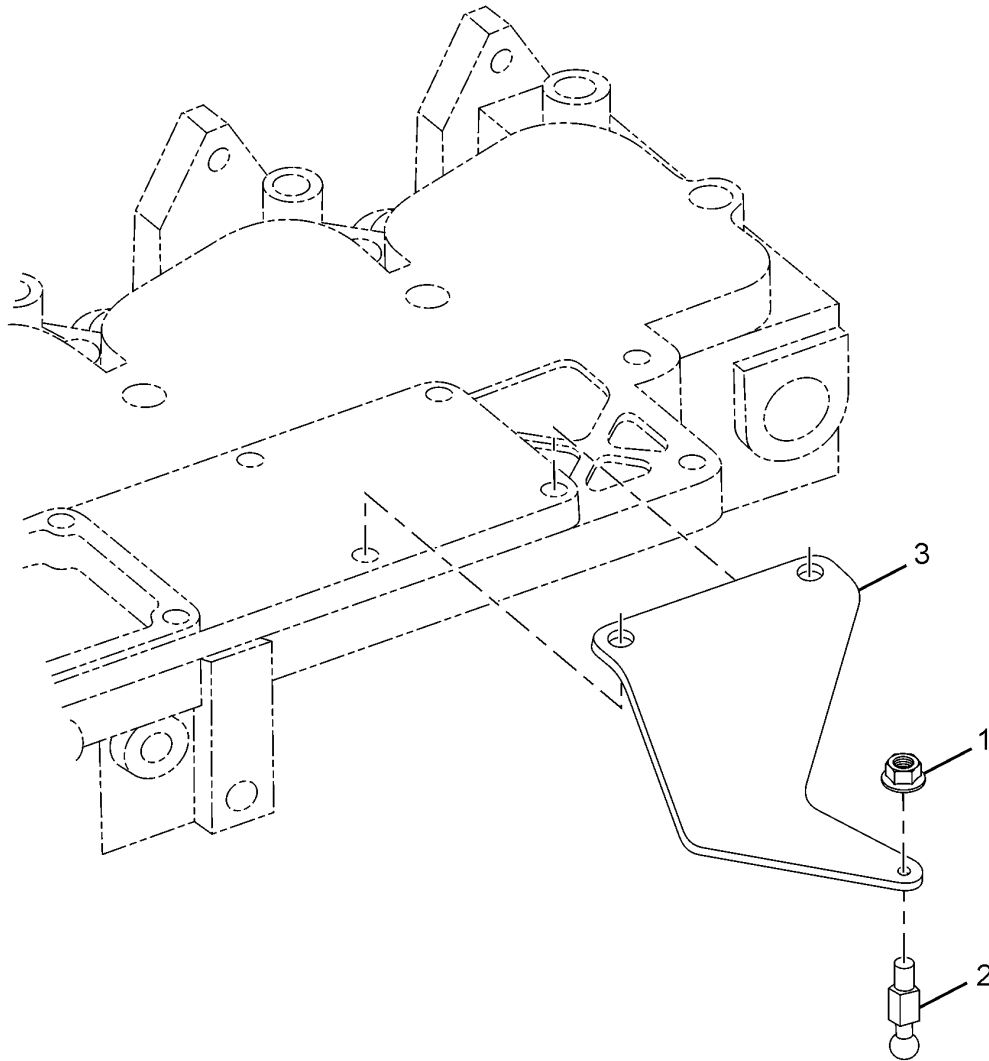
00.07.05		PUMPING AIR FUEL CONTROL		GROUP 07	
CHASSIS TYPE: ALL					
FIG. NO.	PART NUMBER	DESCRIPTION	QTY	REMARKS	
1	278607999908	SCREW, BANJO CONNECTOR (M12 X 1.50 X 24)	1		
2	278609999938	ELBOW, MALE ADAPTER	1		
3	278607999924	WASHER, SEALING	2		
4	278607999928	CONNECTOR, BANJO	1		
5	278607999935	TUBE, AIR FUEL CONTROL	1		

CHASSIS TYPE: ALL



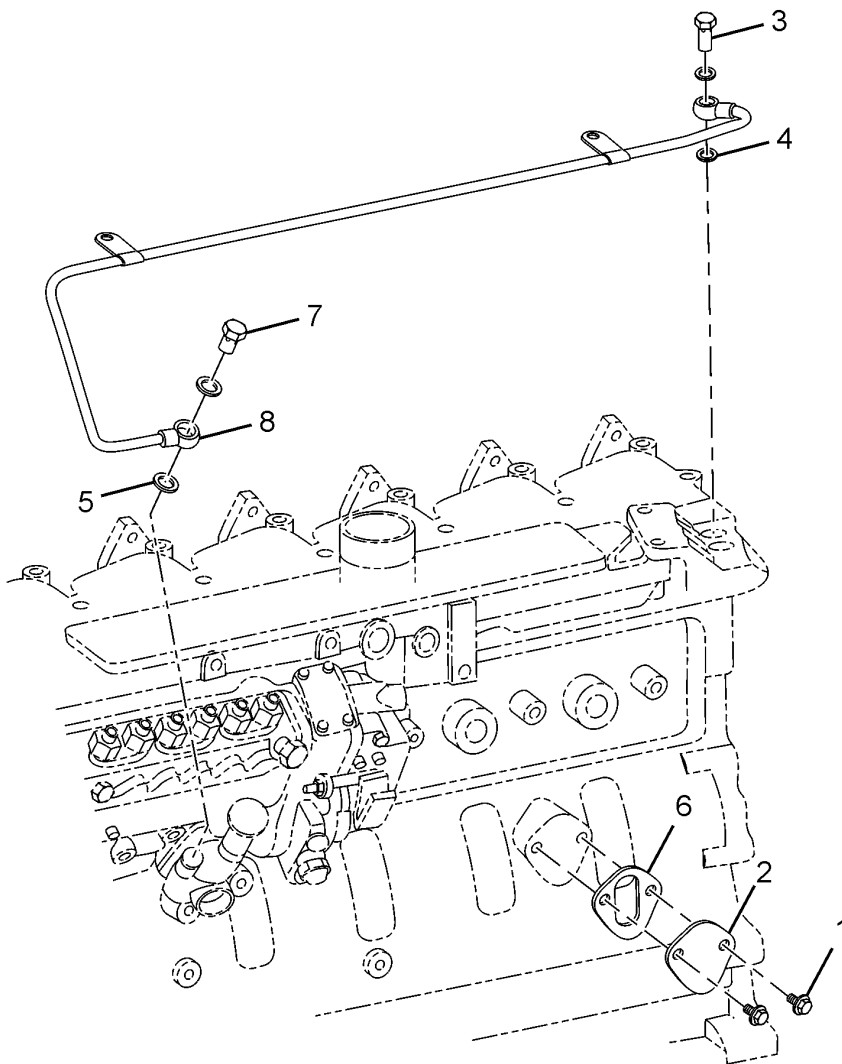
00.07.06		LEVER, FUEL SHUTOFF		GROUP 07	
CHASSIS TYPE: ALL					
FIG. NO.	PART NUMBER	DESCRIPTION	QTY	REMARKS	
1	278607999958	NUT,HEXAGON FLANGE(M6X1.00)	2		
2	278607999915	SCREW,HEX FLANGE (M6X1.00X16)	2		
3	278609999931	PIN,COTTOR	1		
4	278609999925	SCREW (M12X1.5X12)	1		
5	278609999926	LEVER,SHUTOFF VALVE	1		
6	278609999927	BRACKET	1		
7	278609999929	SCREW,HEX FLANGE (M12X1.5X15)	1		
8	278609999930	BRACKET	1		

CHASSIS TYPE: ALL



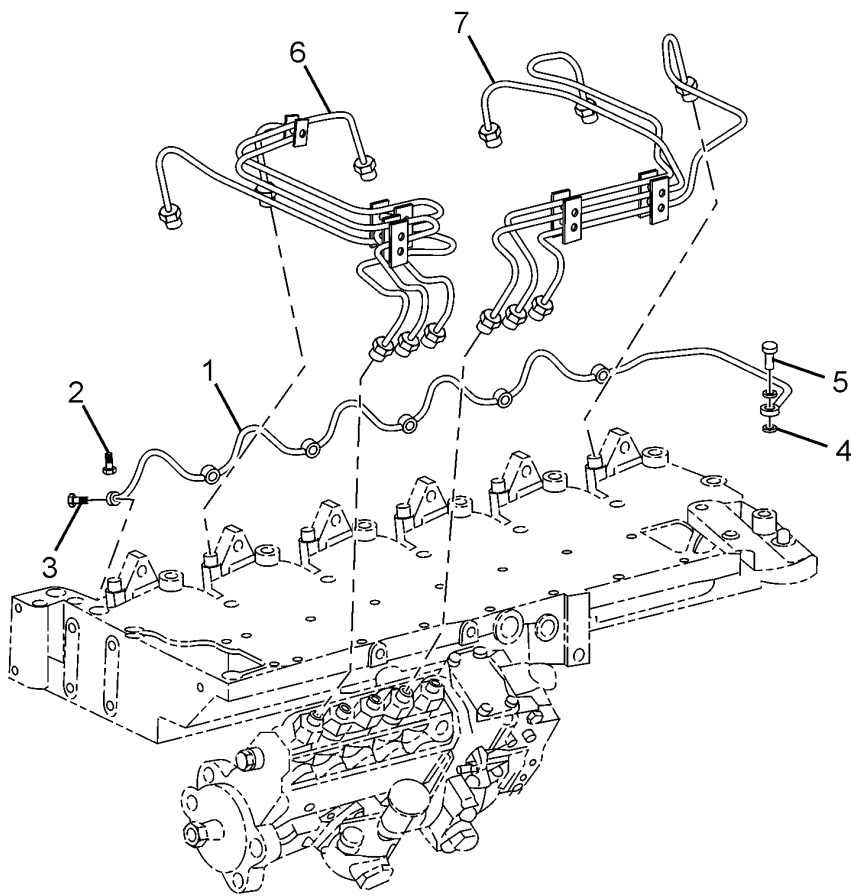
00.07.07		LEVER, THROTTLE		GROUP 07	
CHASSIS TYPE: ALL					
FIG. NO.	PART NUMBER	DESCRIPTION	QTY	REMARKS	
1	278607999958	NUT,HEXAGON FLANGE(M6X1.00)	1		
2	278607999959	PIN,THROTTLE LEVER	1		
3	278601999948	BRACKET	1		

CHASSIS TYPE: ALL



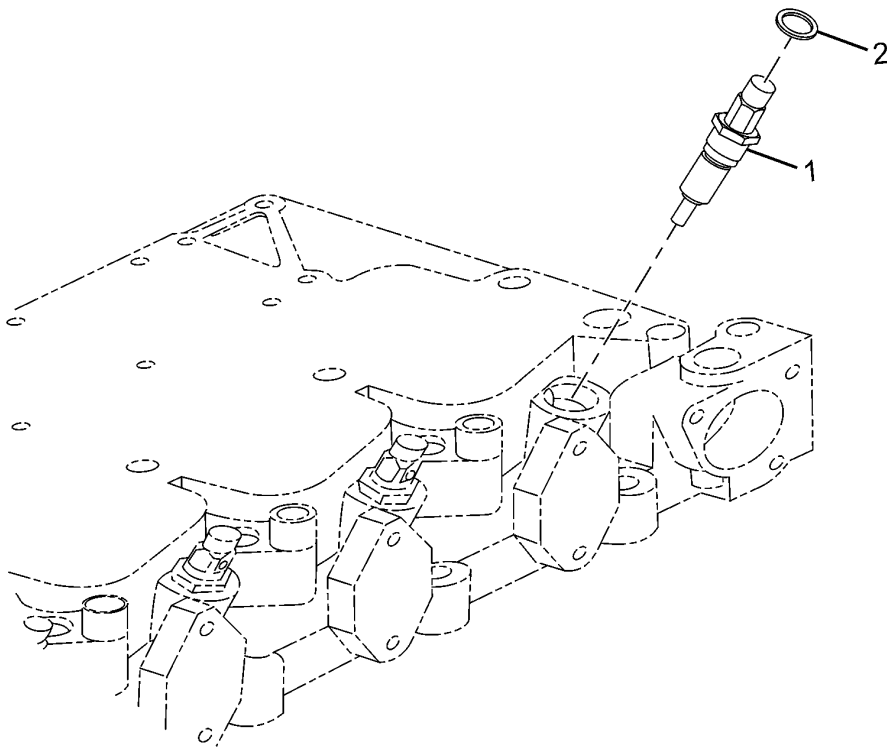
00.07.08		TUBE FUEL, FEED PUMP		GROUP 07	
CHASSIS TYPE: ALL					
FIG. NO.	PART NUMBER	DESCRIPTION	QTY	REMARKS	
1	278613998001	SCREW,HEX FLANGE (M8X1.25X20)	2		
2	278605999935	PLATE,COVER	1		
3	278607999919	SCREW,BANJO CONNECTION (M12X1.50X24)	1		
4	278607999924	WASHER SEALING (12MM)	2		
5	278607999925	WASHER SEALING (14MM)	2		
6	3923054	GASKET,COVER PLATE	1		
7	278607999930	SCREW,BANJO CONNECTOR	1		
8	278609999950	TUBE,FUEL SUPPLY	1		

CHASSIS TYPE: ALL



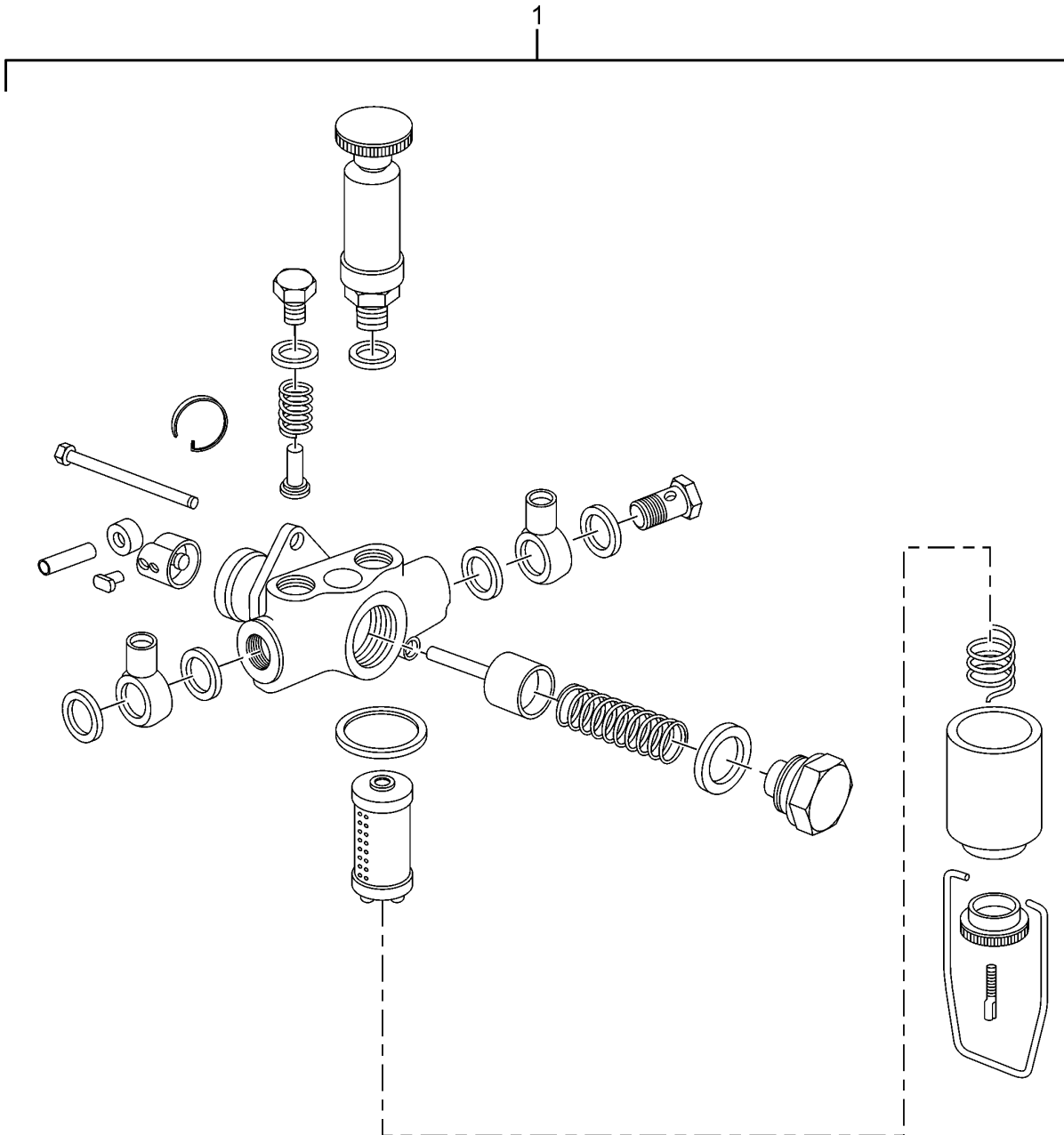
00.07.09		FUEL LINES		GROUP 07	
CHASSIS TYPE: ALL					
FIG. NO.	PART NUMBER	DESCRIPTION	QTY	REMARKS	
1	278609999913	MANIFOLD,FUEL	1		
2	278607999909	SEAL,BANJO CONNECTOR (6.2MM)	6		
3	278609999912	SCREW,BANJO CONNECTOR (M6X1.00X14.3)	6		
4	278607999922	WASHER,SEALING(8MM)	2		
5	278607999952	VALVE,CHECK(M8X1.25X17.5)	1		
6	278607999946	TUBE,INJ FUEL SUPPLY	1		
7	278607999947	TUBE,INJ FUEL SUPPLY	1		

CHASSIS TYPE: ALL



00.07.10		INJECTOR		GROUP 07	
CHASSIS TYPE: ALL					
FIG. NO.	PART NUMBER	DESCRIPTION	QTY	REMARKS	
1	F002C8Z201	INJECTOR ASSY.	6		
2	278607999950	SEAL INJECTOR	6		
-	278607999909	SEAL BANJO CONNECTOR	6		
-	278607999913	SEAL RECTANGULAR RING	6		
-	433175147	NOZZLE INJECTOR	6		
-	2430105042	SEALING WASHER	6		

CHASSIS TYPE: ALL

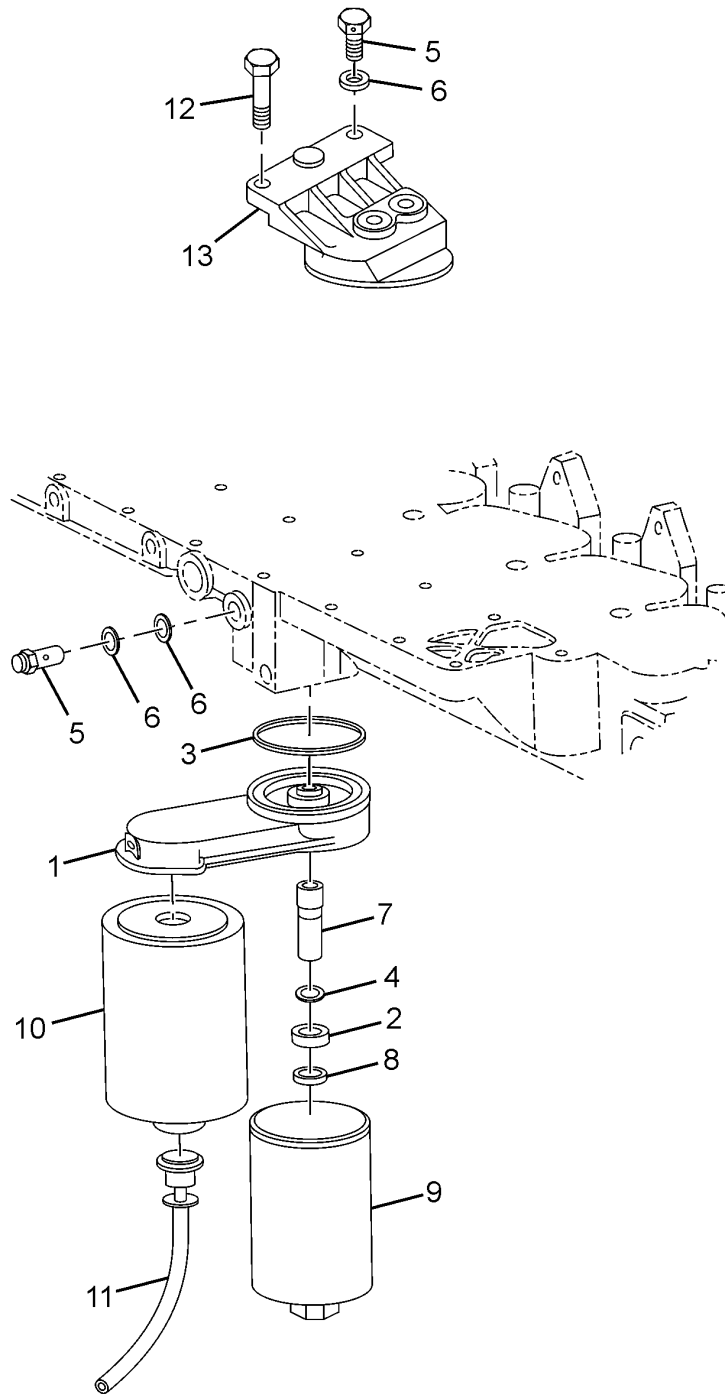


00.07.11	FUEL FEED PUMP	GROUP 07
----------	----------------	----------

CHASSIS TYPE: ALL

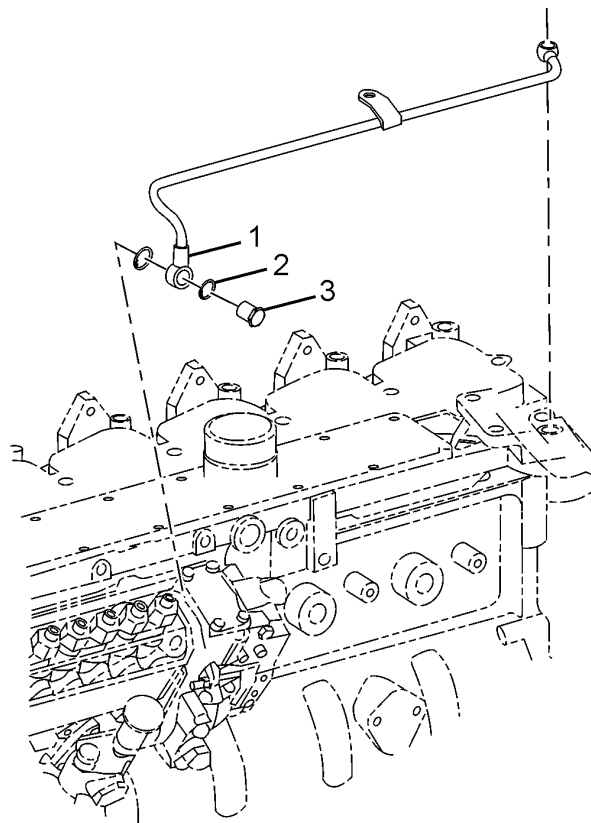
FIG. NO.	PART NUMBER	DESCRIPTION	QTY	REMARKS
1	9440030003	FUEL FEED PUMP	1	

CHASSIS TYPE: ALL



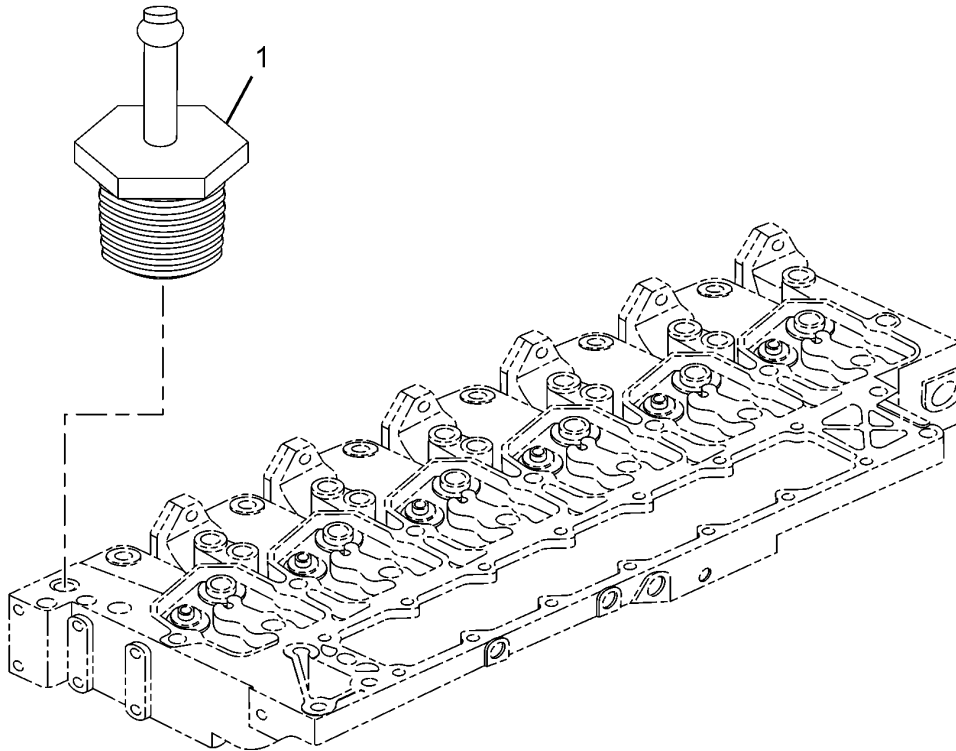
00.09.01		FUEL FILTER		GROUP 09	
CHASSIS TYPE: ALL					
FIG. NO.	PART NUMBER	DESCRIPTION	QTY	REMARKS	
1	278609999904	HEAD, FUEL FILTER (BOTTOM)	1		
2	278609999902	NUT, REGULAR HEXAGONAL M16 X 1.50	1		
3	278607999910	SEAL, 'O' RING (BIG)	1		
4	278607999911	SEAL 'O' RING (SMALL)	1		
5	278609999911	SCREW, BANJO CONNECTOR M12 X 1.5 X 24	1		
6	278607999924	WASHER, SEALING (1/2")	2		
7	278609999903	ADAPTOR, FILTER HEAD M16 X 1.50 (BOTH ENDS)	1		
8	278615999969	GASKET, RECTANGULAR	1		
9	278609119904	FUEL FILTER	1		
10	278609119903	SEPARATOR, FUEL WATER	1		
11	278609999909	HOSE PLAIN	1		
-	278609999957	VALVE DRAIN	1		
-	278607999913	SEAL 'O' RING	1		
12	278609999901	SCREW HEX FLANGE HEAD CAP	2		
13	278609999908	HEAD FUEL FILTER (TOP)	1		

CHASSIS TYPE: ALL



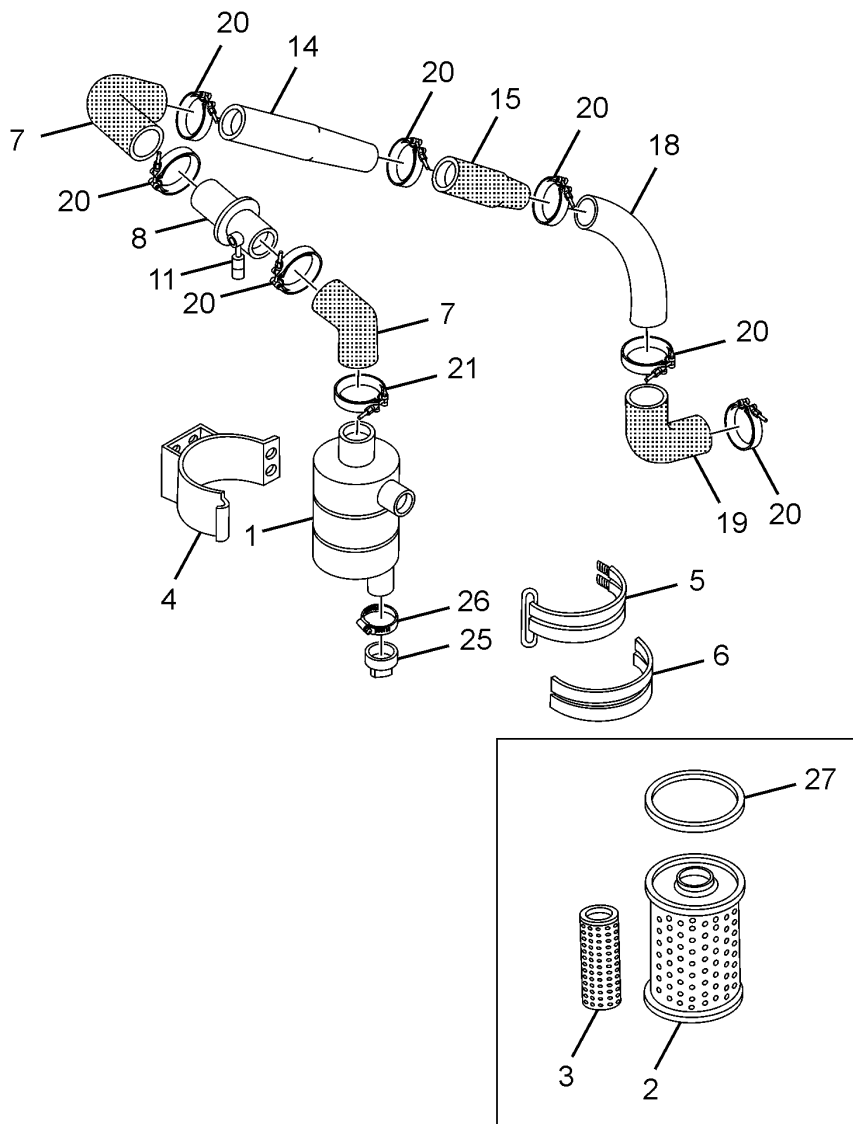
00.09.02		PLUMBING, FUEL FILTER		GROUP 09	
CHASSIS TYPE: ALL					
FIG. NO.	PART NUMBER	DESCRIPTION	QTY	REMARKS	
1	278609999916	TUBE, FUEL SUPPLY	1		
2	278607999925	WASHER, SEALING	2		
3	278607999930	SCREW, BANJO CONNECTOR (M14 X 1.50 X 26)	1		

CHASSIS TYPE: ALL



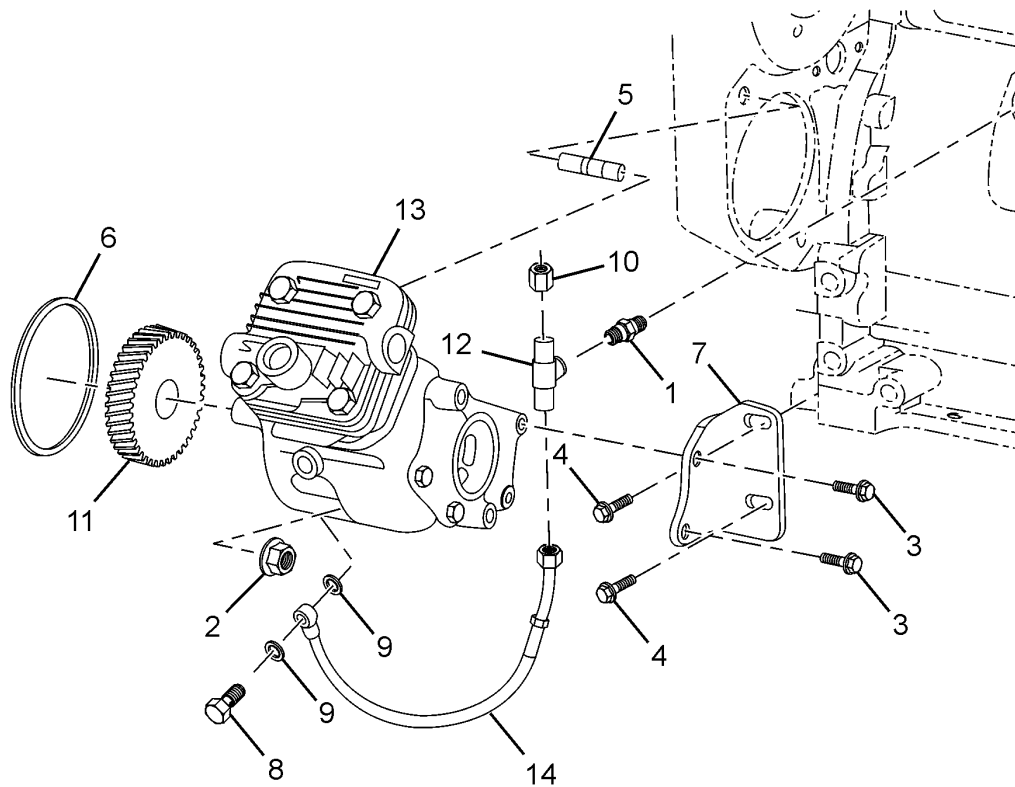
00.09.03		ENGINE VENT PLUMBING		GROUP 09	
CHASSIS TYPE: ALL					
FIG. NO.	PART NUMBER	DESCRIPTION	QTY	REMARKS	
1	278601999939	CONNECTOR ENGINE, VENT	1		

CHASSIS TYPE: ALL



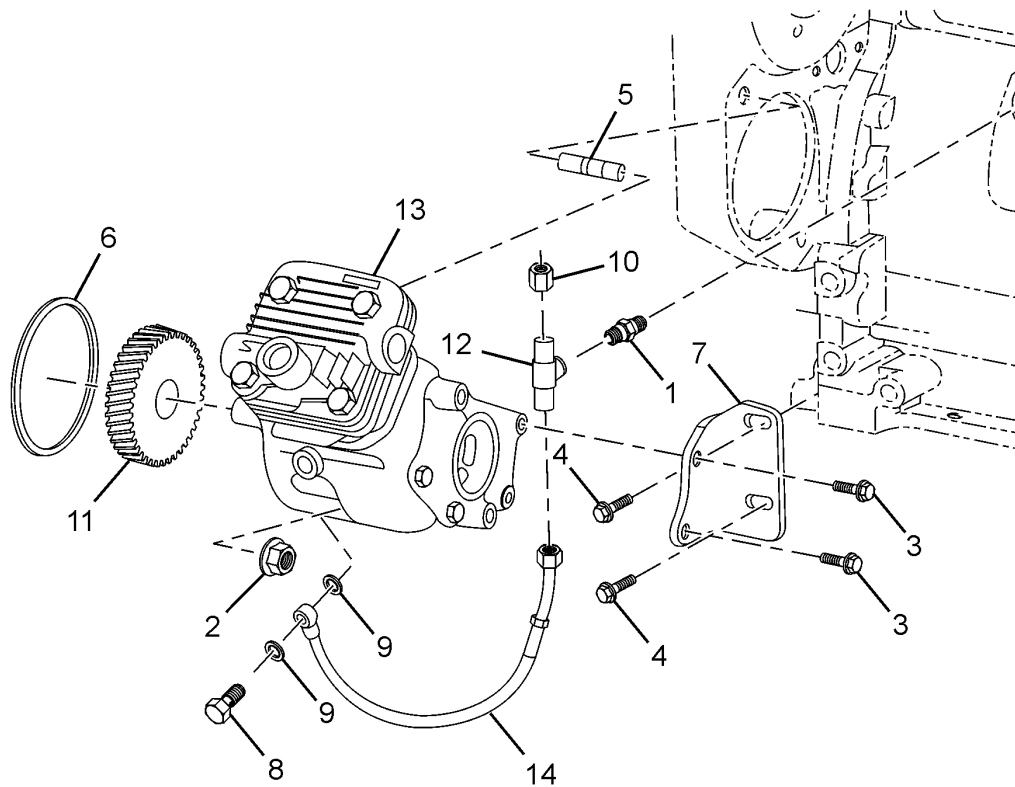
00.09.04		AIR FILTER (LHD)		GROUP 09	
CHASSIS TYPE: ALL					
FIG. NO.	PART NUMBER	DESCRIPTION	QTY	REMARKS	
1	278609130134	ASSY AIR FILTER	1		
2	278609139908	AIR FILTER ELEMENT (PRIMARY)	1		
3	278609139909	AIR FILTER ELEMENT (SAFETY)	1		
25	278609139912	DUST VALVE	1		
26	278609134211	CLAMP (VACUATOR VALVE)	1		
27	278609137707	U SEAL AIR FILTER	1		
4	278609130194	ASSY AIR FILTER MOUNTING BRACKET	1		
5	278609130137	ASSY STRAP WITH SHACKLE	1		
6	278509139901	RUBBER STRAP	2		
7	207609135844	REDUCER HOSE (ON AIR FILTER OUTLET)	1		
8	207609130109	ASSY PIPE WITH FLANGE LHD	1		
-	278609139918	ADAPTOR (1/8 NPTF TO M10x1 FLEETGUARD)	1		
11	254709130135	ASSY SERVICE INDICATOR	1		
-	278609135838	HOSE (102ID x 120 x 110)	1		
14	207609133809	AL. CAST PIPE	1		
15	278509135801	RUBBER HOSE (102 ID X 120)	1		
18	207609133810	AL. CAST PIPE	1		
19	207609135810	RUBBER HOSE	1		
20	14280598209	HOSE CLAMP TB112	7		
21	14280598233	HOSE CLAMP TB144	1		

CHASSIS TYPE: ALL



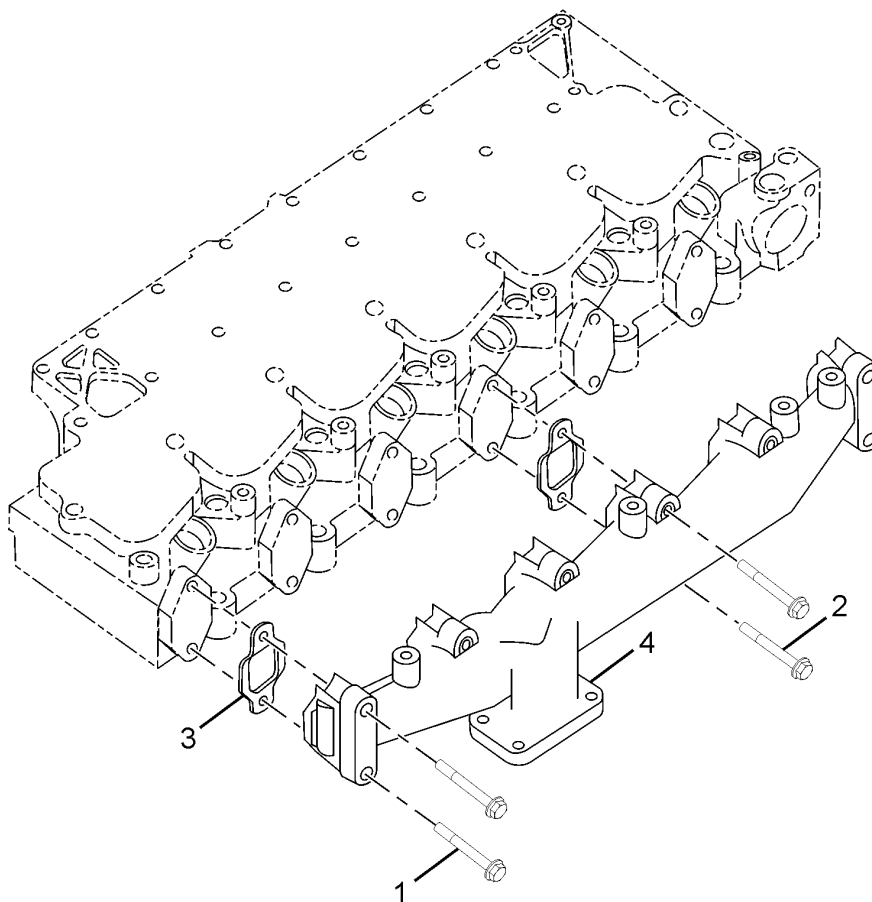
00.13.01		AIR COMPRESSOR		GROUP 13
CHASSIS TYPE: ALL				
FIG. NO.	PART NUMBER	DESCRIPTION	QTY	REMARKS
1	278622999906	NIPPLE, PLAIN HEXAGON	1	
2	278613996501	NUT, HEX FLANGE M12 X 1.75	2	
3	278613998001	SCREW, HEX FLANGE M8 X 1.25 X 20	2	
4	278613998002	SCREW, HEX FLANGE M8 X 1.25 X 25	2	
5	278613998801	STUD M12 X 1.75 X 50	2	
6	278613997701	SEAL, RECTANGULAR	1	
7	278613999907	BRACE, AIR COMPRESSOR	1	
8	278613998003	SCREW, BANJO CONNECTOR M10 X 1.00 X 19	1	
9	278613999101	WASHER, SEALING	2	
10	278618999940	CAP, TUBE	1	
11	278618995401	GEAR, ACCESSORY DRIVE	1	
12	278607990029	TEE, FEMALE BRANCH	1	
13	278613999914	AIR COMPRESSOR (SMALL) SIDE PORT	1	
14	278621999907	HOSE, FLEXIBLE	1	
		REPAIR KIT FOR AIR COMPRESSOR		
-	278613999916	GASKET KIT CYLINDER HEAD CONSISTS OF:	1	
1	-	DELIVERY REED	1	
2	-	DELIVERY JOINT	1	
-	278613999917	MINOR REPAIR KIT AIR COMPRESSOR CONSISTS OF:	1	
1	-	DELIVERY REED	1	
2	-	DELIVERY JOINT	1	
3	-	COVER SUMP	1	
4	-	SET SCREW	4	
-	278613999918	MAJOR REPAIR KIT AIR COMPRESSOR CONSISTS OF:	1	
1	-	DELIVERY REED	1	
2	-	DELIVERY JOINT	1	
3	-	COVER SUMP	1	
4	-	SET SCREW	4	
5	-	WRAPPED BUSH	1	
6	-	NUT CRANKSHAFT	1	
7	-	O' RING	1	
8	-	SEALING RING	1	
9	-	END COVER	1	
-	278613999919	REPAIR KIT PISTON ASSY. CONSISTS OF:	1	
10	-	COMPRESSION RING	2	

CHASSIS TYPE: ALL



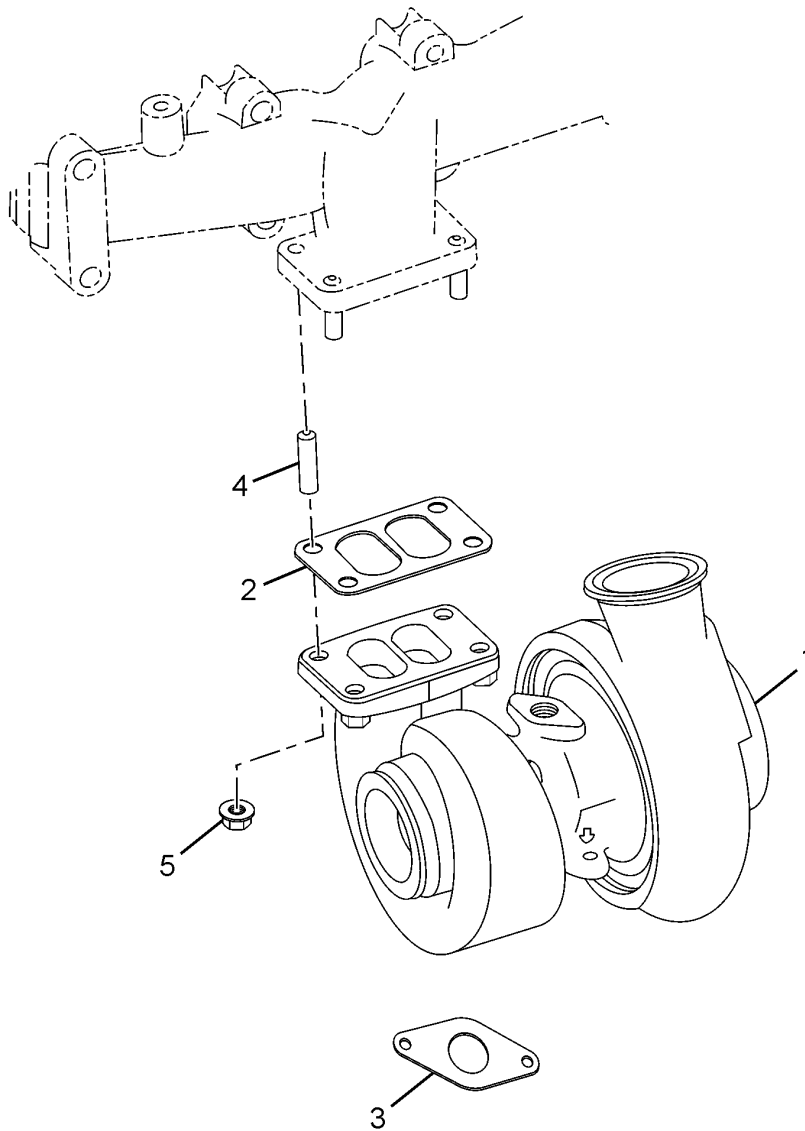
00.13.01		AIR COMPRESSOR		GROUP 13	
CHASSIS TYPE: ALL					
FIG. NO.	PART NUMBER	DESCRIPTION	QTY	REMARKS	
11	-	OIL CONTROL RING	1		
12	-	PISTON	1		
-	278613999920	REPAIR KIT PISTON RING CONSISTS OF:	1		
10	-	COMPRESSION RING	2		
11	-	OIL CONTROL RING	1		

CHASSIS TYPE: ALL



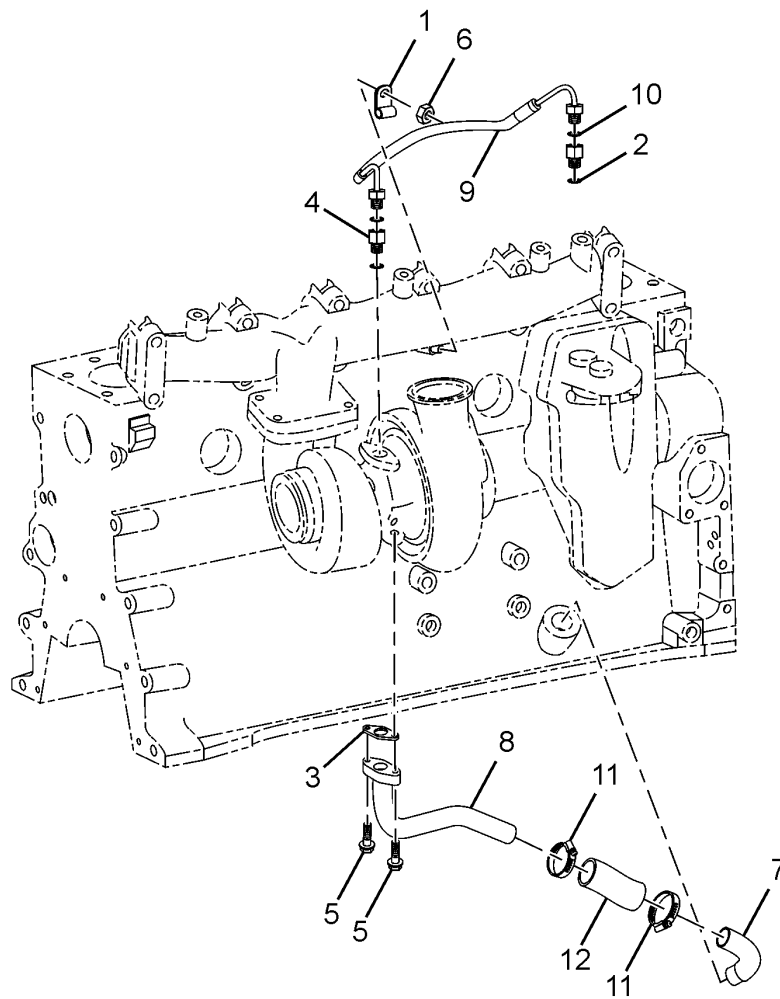
00.14.01		EXHAUST MANIFOLD AND MOUNTING CHARGER		GROUP 14	
CHASSIS TYPE: ALL					
FIG. NO.	PART NUMBER	DESCRIPTION	QTY	REMARKS	
1	278620999904	SCREW FLAT HEAD CAP M10 X 1.50 X 65	11		
2	278614999918	SCREW, HEX. FLANGE HEAD CAP M10 X 1.50 X 70	1		
3	278614999915	GASKET, EXHAUST MANIFOLD	6		
4	278614999930	MANIFOLD, EXHAUST	1		

CHASSIS TYPE: ALL



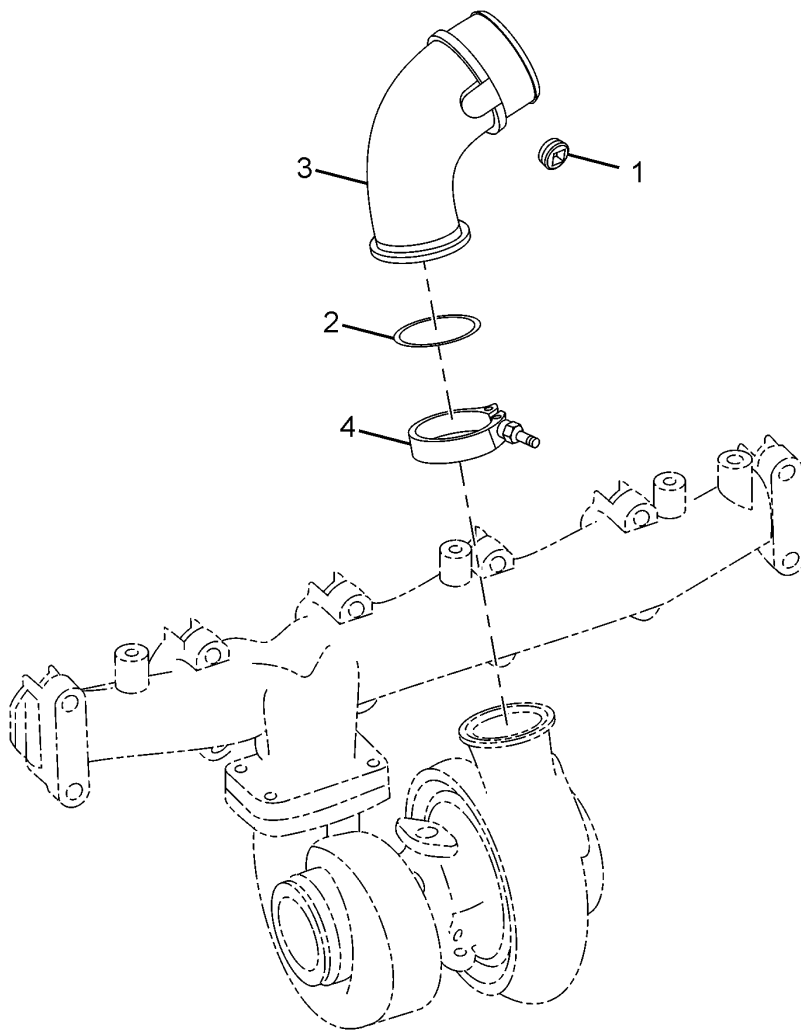
00.14.02		TURBOCHARGER (LOW MOUNT)		GROUP 14	
CHASSIS TYPE: ALL					
FIG. NO.	PART NUMBER	DESCRIPTION	QTY	REMARKS	
1	278614999937	TURBOCHARGER(LOW MOUNT)	1		
2	278614999902	GASKET TURBOCHARGER	1		
3	278614999903	GASKET OIL DRAIN	1		
4	278614999904	STUD M10X1.50X42	4		
5	278614999905	NUT HEX.FLANGE M10X1.50	4		

CHASSIS TYPE: ALL



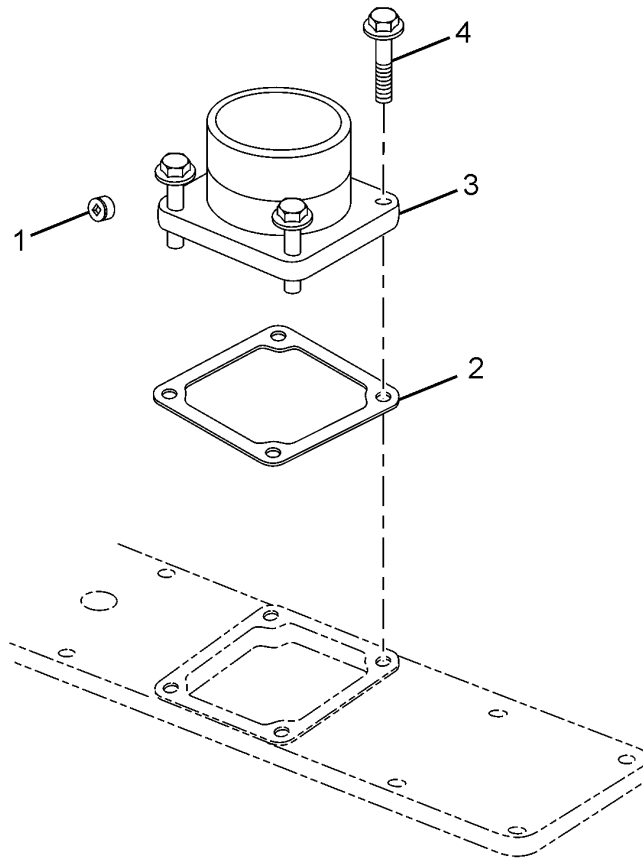
00.14.03		TURBOCHARGER PLUMBING		GROUP 14	
CHASSIS TYPE: ALL					
FIG. NO.	PART NUMBER	DESCRIPTION	QTY	REMARKS	
1	278601999803	CLAMP, TUBE	1		
2	278614999920	SEAL, 'O' RING	2		
3	278614999903	GASKET, OIL DRAIN	1		
4	278615999907	CONNECTOR, FEMALE	2		
5	278613998001	SCREW, HEX FLANGE (M8 X 1.25 X 20)	2		
6	278607999907	NUT, HEX FLANGE (M10 X 1.50)	1		
7	278618999950	TUBE, TURBO OIL DRAIN	1		
8	278614999933	CONNECTION, TURBO	1		
9	278620999929	HOSE, FLEXIBLE	1		
10	278614999926	WASHER, SEALING (7.2 MM THK.)	2		
11	278607999967	CLAMP, HOSE	2		
12	278601999946	HOSE, PLAIN	1		

CHASSIS TYPE: ALL



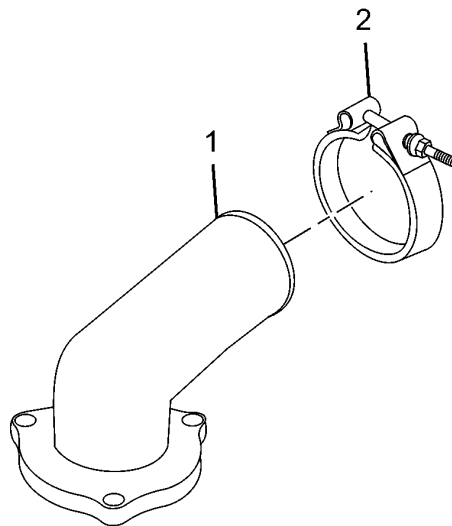
00.14.04		CONNECTION AIR INTAKE (TURBOCHARGER)		GROUP 14	
CHASSIS TYPE: ALL					
FIG. NO.	PART NUMBER	DESCRIPTION	QTY	REMARKS	
1	278607999990	PLUG, PIPE	1	FOR NON AC VEHICLE	
2	278605999942	SEAL, O RING	1		
3	278601999969	PIPE, AIR TRANSFER	1		
4	278614999942	CLAMP,V BAND	1		

CHASSIS TYPE: ALL



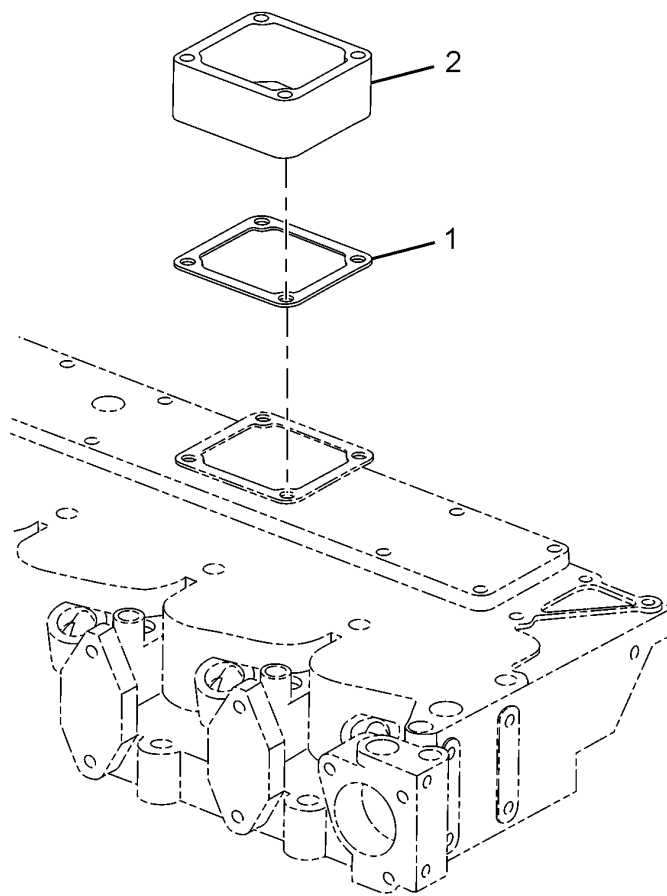
00.14.05		CONNECTION AIR INTAKE (CYLINDER HEAD)		GROUP 14	
CHASSIS TYPE: ALL					
FIG. NO.	PART NUMBER	DESCRIPTION	QTY	REMARKS	
1	278601999944	PLUG, PIPE (3/4 - 14 NPTF)	2	FOR NON AC VEHICLE	
2	278620999941	GASKET, CONNECTION	1		
3	278601999956	CONNECTION, AIR INTAKE	1		
4	278620999927	SCREW, HEX FLANGE (M8X1.25X80)	4		

CHASSIS TYPE: ALL



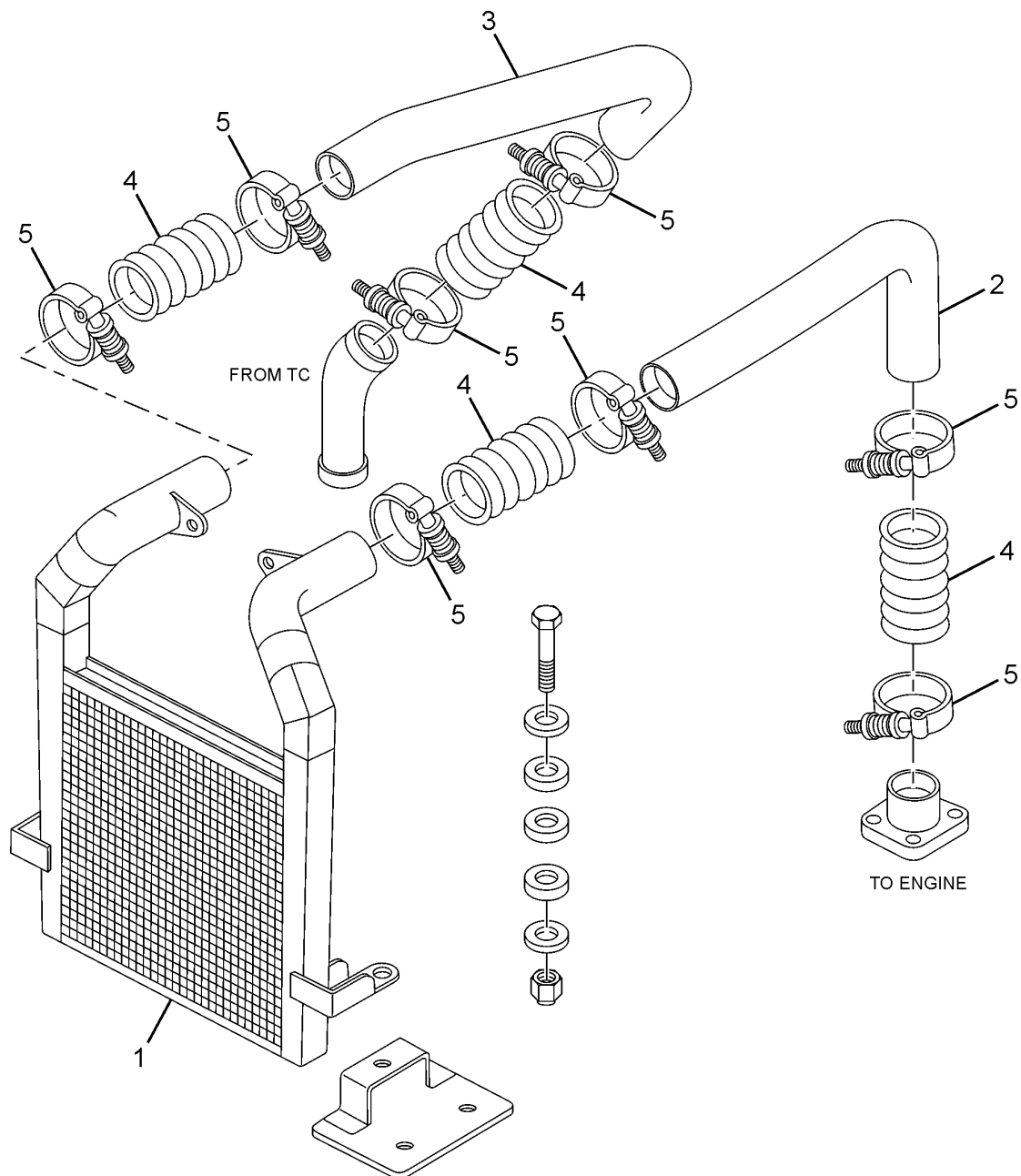
00.14.06		CONNECTION EXHAUST OUTLET		GROUP 14	
CHASSIS TYPE: ALL					
FIG. NO.	PART NUMBER	DESCRIPTION	QTY	REMARKS	
1	278614999928	CONNECTION,EXHAUST OUTLET	1		
2	278614999931	CLAMP,V BAND	1		

CHASSIS TYPE: ALL



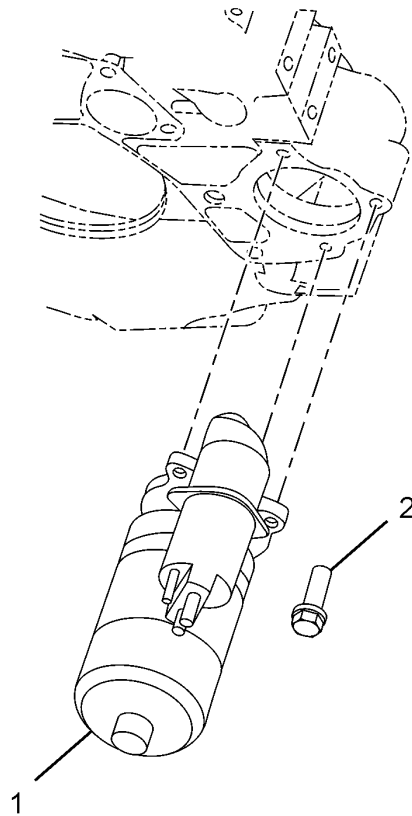
00.14.07		HEATER, AIR INTAKE		GROUP 14	
CHASSIS TYPE: ALL					
FIG. NO.	PART NUMBER	DESCRIPTION	QTY	REMARKS	
1	278620999941	GASKET,CONNECTION	1		
2	278620999940	CONNECTION,SPACER	1		

CHASSIS TYPE: ALL



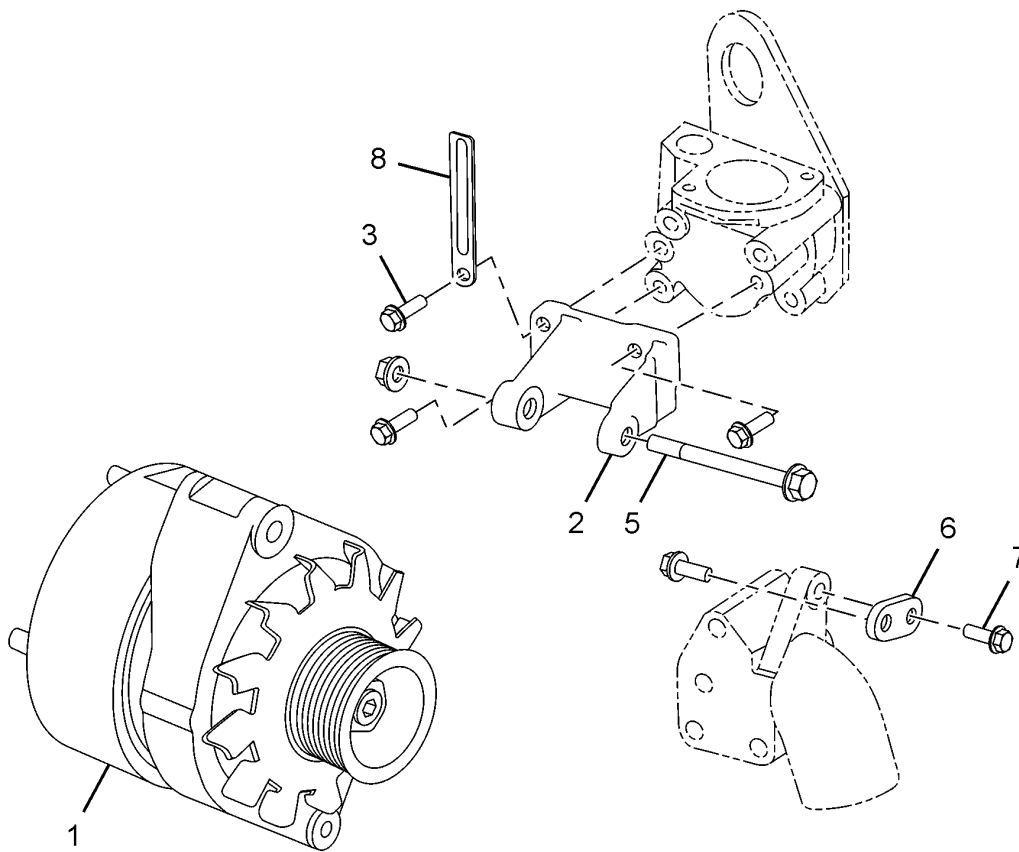
00.14.08		INTERCOOLER		GROUP 14	
CHASSIS TYPE: ALL					
FIG. NO.	PART NUMBER	DESCRIPTION	QTY	REMARKS	
1	278614609908	INTERCOOLER	1		
2	278614603806	PIPE (INTERCOOLER TO ENGINE)	1		
3	131514600003	PIPE (TURBO CHARGER TO INTER COOLER)	1		
4	278614605802	HOSE HUMP	4		
5	14280599272	HOSE CLAMP SLTB 72	8		

CHASSIS TYPE: ALL



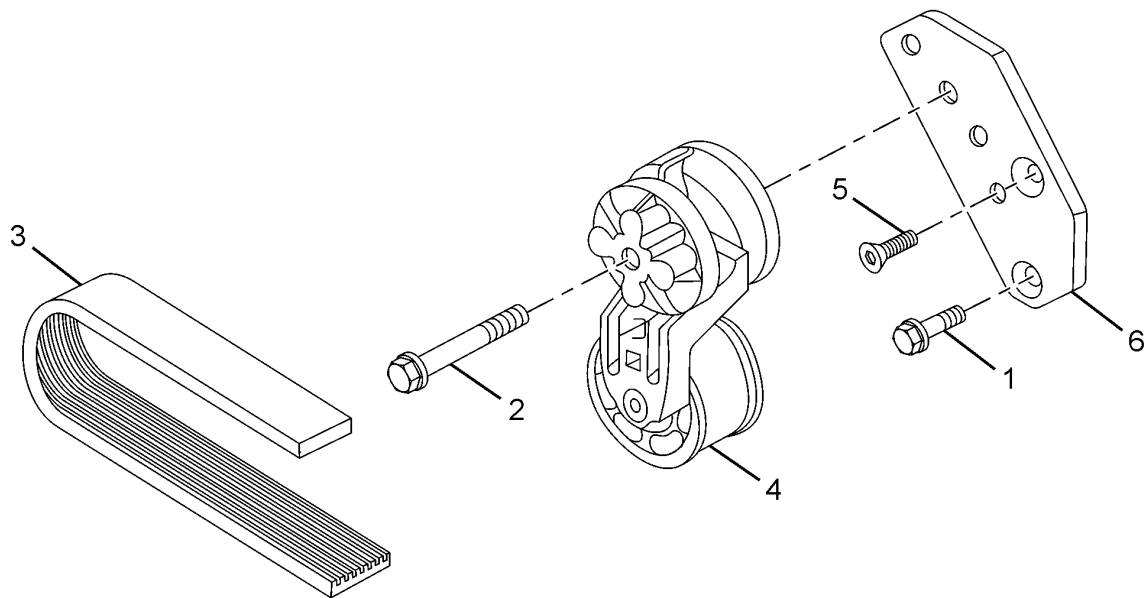
00.15.01		STARTER MOTOR		GROUP 15
CHASSIS TYPE: ALL				
FIG. NO.	PART NUMBER	DESCRIPTION	QTY	REMARKS
1	278615999966	STARTER MOTOR 24 VOLTS	1	
2	278605999936	SCREW TWELVE POINT CAP	3	

CHASSIS TYPE: ALL



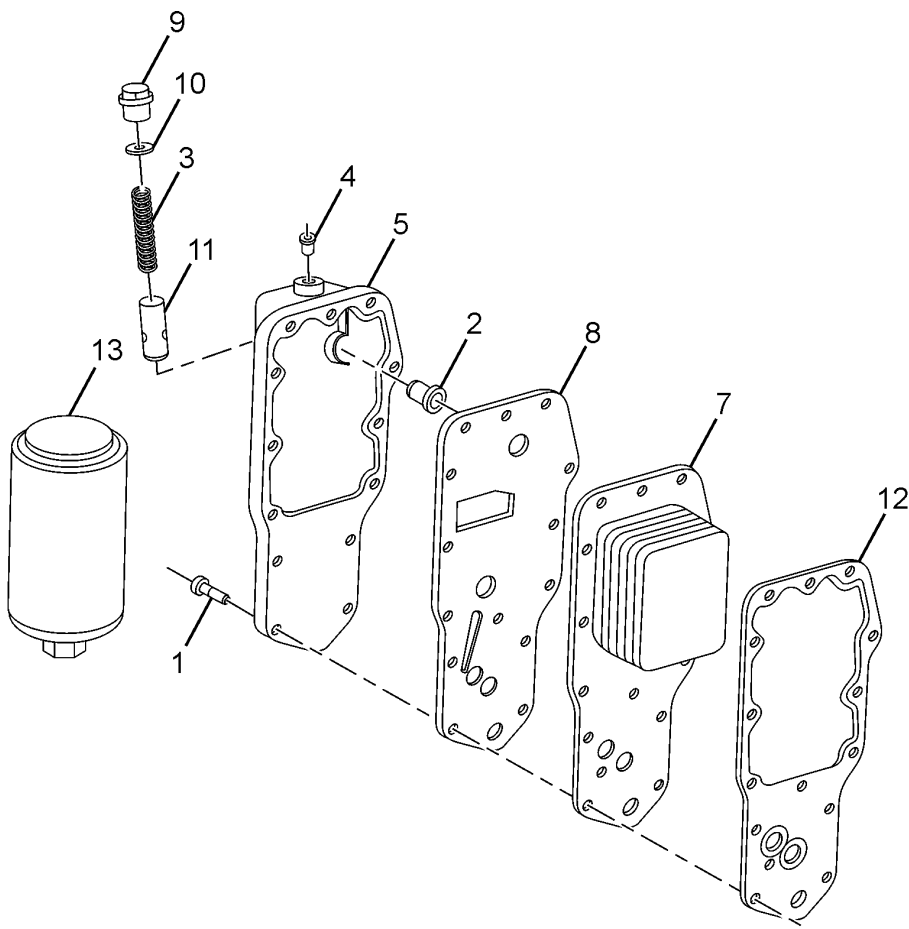
00.15.02		ALTERNATOR AND ALTERNATOR LOCATION		GROUP 15	
CHASSIS TYPE: ALL					
FIG. NO.	PART NUMBER	DESCRIPTION	QTY	REMARKS	
1	278615999906	ALTERNATOR 24 VOLTS ALTERNATOR LOCATION	1		
2	278615999903	SUPPORT, ALTERNATOR	1		
3	278613998002	SCREW, HEX FLANGE (M8X1.25X25)	3		
5	278620999945	SCREW, HEX. HEAD FLANGE CAP	1		
6	278615993302	BRACE, ALTERNATOR	1		
7	278613998001	SCREW, HEX FLANGE (M18X1.25X20)	2		
8	278615999967	SUPPORT, ALTERNATOR	1		

CHASSIS TYPE: ALL



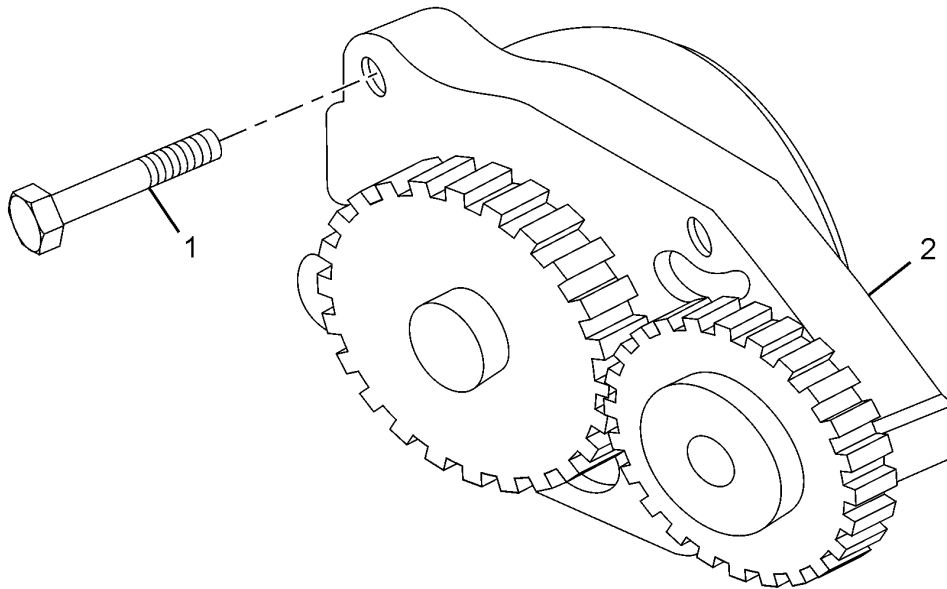
00.15.03		ALTERNATOR MOUNTING		GROUP 15	
CHASSIS TYPE: ALL					
FIG. NO.	PART NUMBER	DESCRIPTION	QTY	REMARKS	
1	278613998002	SCREW HEX. FLANGE HEAD CAP (M8 X 1.25 X 25)	1		
2	278615998002	SCREW HEX. FLANGE CAP (M8 X 1.5 X 72.5)	1		
3	278615996302	BELT V.RIBBED (10 BLADE FAN) 1442 MM LONG	1		
4	278615999902	TENSIONER BELT	1		
5	278615998003	SCREW FLAT HEAD CAP (M10 X 1.5 X 72.5)	1		
6	278615993303	BRACKET BELT TENSIONER	1		

CHASSIS TYPE: ALL



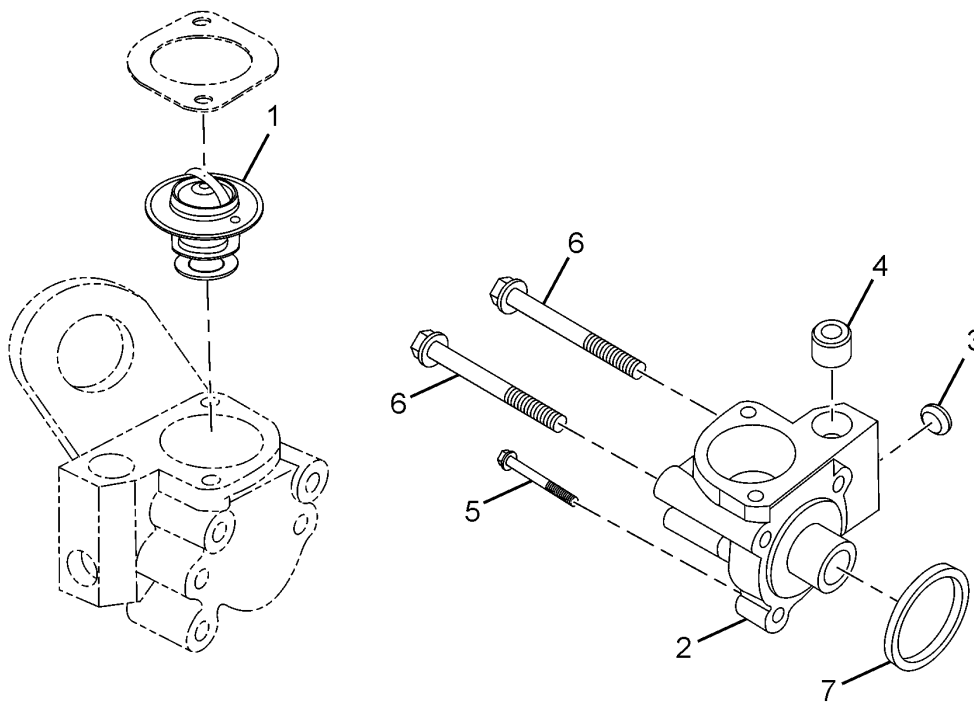
00.18.01		LUBRICATING OIL COOLER/OIL FILTER		GROUP 18
CHASSIS TYPE: ALL				
FIG. NO.	PART NUMBER	DESCRIPTION	QTY	REMARKS
1	278607999906	SCREW HEX. HEAD CAP (M8X1.25X35)	14	
2	278618999949	VALVE BYPASS	1	
3	278618999902	SPRING COMPRESSION	1	
4	278601999913	PLUG PIPE	1	
5	278618999903	HEAD LUB. OIL FILTER WITH ADAPTER	1	
7	278618999905	CORE COOLER	1	
8	278618999906	GASKET FILTER HEAD	1	OPTIONAL
8	278609999962	GASKET FILTER HEAD	1	OPTIONAL
9	278618999907	PLUG THREADED	1	
10	278618999908	SEAL 'O' RING	1	
11	278618999909	PLUNGER PRESSURE REGULATOR	1	
12	278618999910	GASKET LUB. COOLER	1	
13	278618139902	CARTRIDGE LUB. OIL FILTER	1	

CHASSIS TYPE: ALL



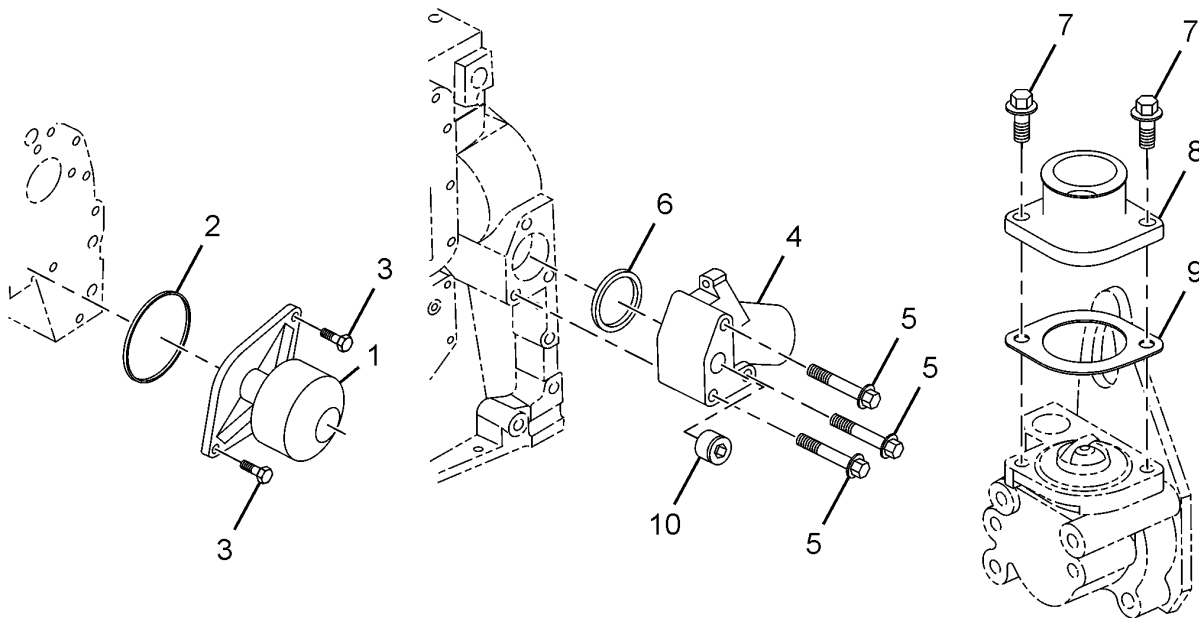
00.18.02		OIL PUMP		GROUP 18	
CHASSIS TYPE: ALL					
FIG. NO.	PART NUMBER	DESCRIPTION	QTY	REMARKS	
1	278618999913	SCREW HEX. HEAD CAP (M8X1.25X30)	4		
2	278618999933	PUMP LUBRICATING OIL	1		

CHASSIS TYPE: ALL



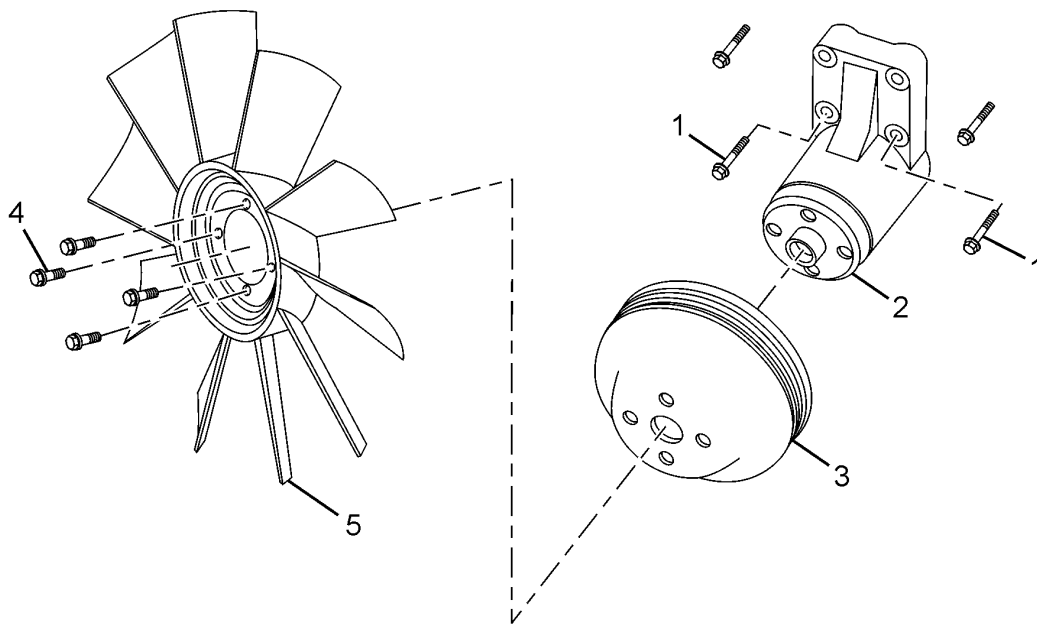
00.20.01		THERMOSTAT		GROUP 20	
CHASSIS TYPE: ALL					
FIG. NO.	PART NUMBER	DESCRIPTION	QTY	REMARKS	
1	278620999925	THERMOSTAT	1		
2	278620999908	HOUSING THERMOSTAT	1		
3	278601999907	PLUG EXPANSION	1		
4	278601999945	PLUG PIPE	1		
5	278620999901	SCREW HEX. FLANGE HEAD CAP (M8X1.25X40)	1		
6	278620999909	SCREW HEX. FLANGE HEAD CAP (M8X1.25X90)	2		
7	278620999910	SEAL RECTANGULAR RING	1		

CHASSIS TYPE: ALL



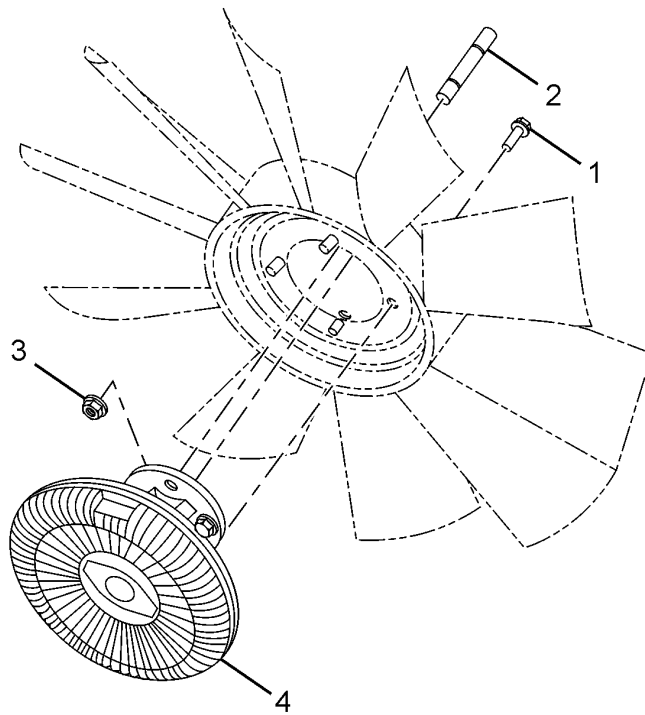
00.20.02		WATER PUMP		GROUP 20	
CHASSIS TYPE: ALL					
FIG. NO.	PART NUMBER	DESCRIPTION	QTY	REMARKS	
1	278620999959	PUMP WATER	1		
2	278607999979	SEAL 'O' RING	1		
3	278605999911	SCREW HEX. HEAD CAP (M8X1.25X22)	2		
		WATER INLET CONNECTION			
4	278620999919	CONNECTION WATER INLET	1		
5	278620999920	SCREW HEX. FLANGE HEAD CAP (M10X1.5X75)	3		
6	278620999910	SEAL RECTANGULAR RING	1		
		WATER OUTLET CONNECTION			
7	278613998001	SCREW HEX. FLANGE HEAD CAP (M8X1.25X20)	2		
8	278620999921	CONNECTION WATER OUTLET	1		
9	278620999922	GASKET CONNECTION	1		
10	278601999945	PLUG PIPE	2		
-		REPAIR KIT			
-	278620990103	REPAIR KIT WATER PUMP CONSISTING OF:	1		
-	-	SEAL KIT	1		
-	-	IMPELLER	1		

CHASSIS TYPE: ALL



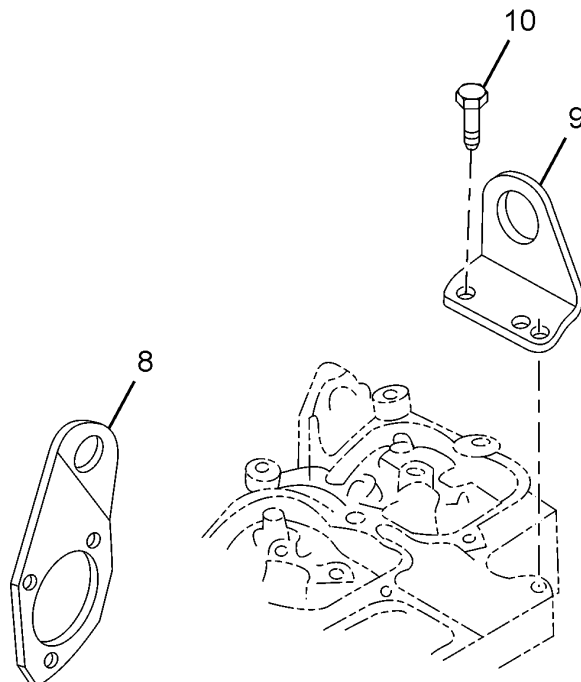
00.20.03		FAN AND FAN DRIVE		GROUP 20	
CHASSIS TYPE: ALL					
FIG. NO.	PART NUMBER	DESCRIPTION	QTY	REMARKS	
1	278620999901	SCREW H.F.H.C.(M8 X 1.25 X 40)	4		
2	278620999902	SUPPORT FAN	1		
3	278620999935	PULLEY FAN	1		
4	278607999912	SCREW H.F.H.C.(M10 X 1.50 X 20)	4		
5	278620999955	FAN VISCOUS (22" INCH 10 BLADE)	1		

CHASSIS TYPE: ALL



00.20.04		CLUTCH VISCOUS FAN		GROUP 20	
CHASSIS TYPE: ALL					
FIG. NO.	PART NUMBER	DESCRIPTION	QTY	REMARKS	
1	278605999905	SCREW, HEX.FLANGE HEAD CAP (M8 X 1.25 X 16)	4		
2	278607999903	STUD (M10 X 1.25 X 67)	4		
3	278607999907	NUT, HEX.FLANGE (M10 X 1.50)	4		
4	278620999937	CLUTCH, VISCOUS FAN	1		

CHASSIS TYPE: ALL

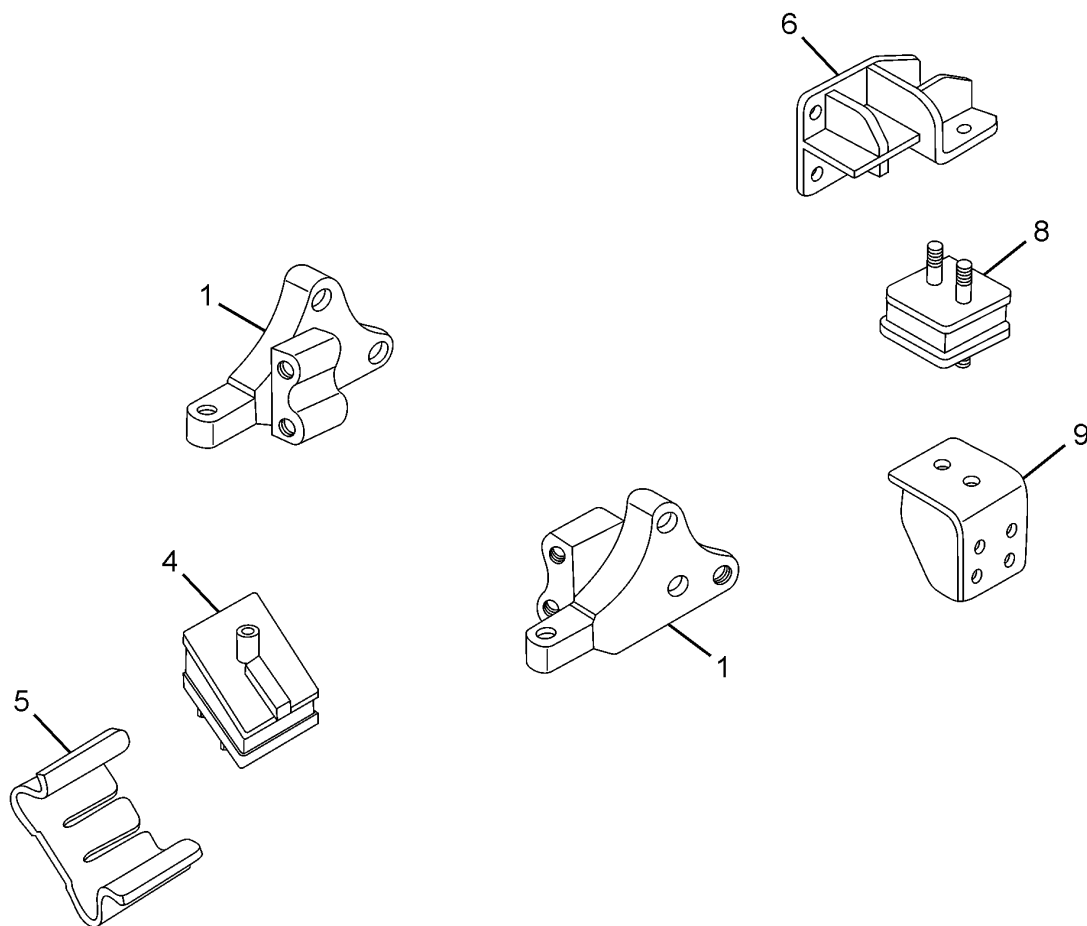


00.22.01	ENGINE LIFTING	GROUP 22
----------	----------------	----------

CHASSIS TYPE: ALL

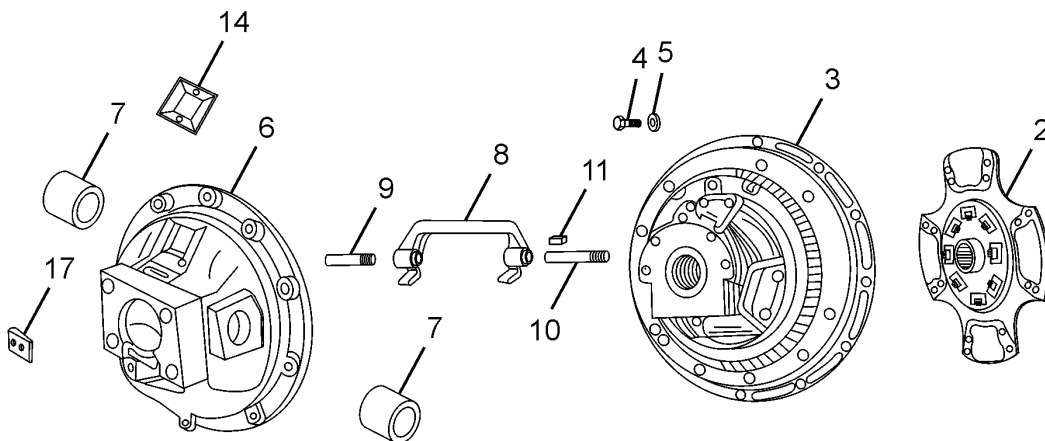
FIG. NO.	PART NUMBER	DESCRIPTION	QTY	REMARKS
8	278622999903	BRACKET LIFTING FRONT	1	
9	278620999912	BRACKET LIFTING ENGINE REAR	1	
10	278620999913	SCREW HEX. FLANGE HEAD CAP (M12 X 1.75 X 30)	2	

CHASSIS TYPE: ALL



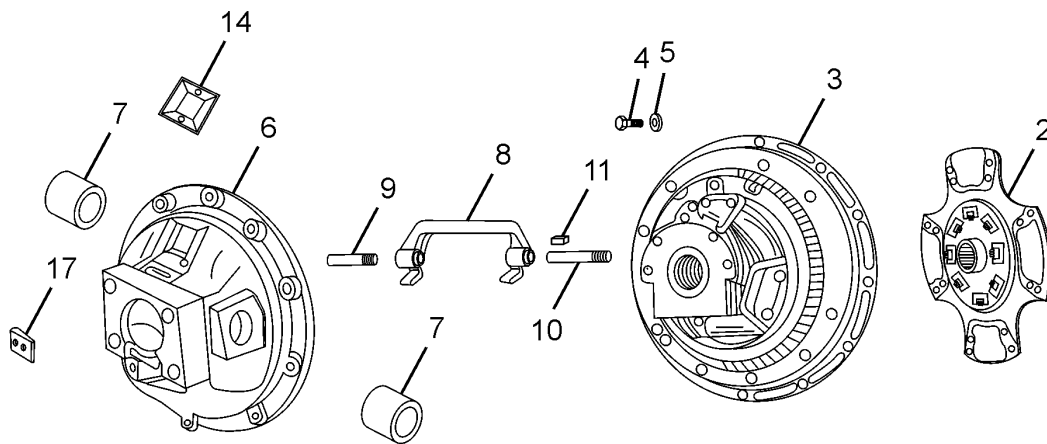
00.24.01		ENGINE SUSPENSION		GROUP 24	
CHASSIS TYPE: ALL					
FIG. NO.	PART NUMBER	DESCRIPTION	QTY	REMARKS	
1	277024105101	ENGINE MOUNTING ARM RH (FRONT)	1		
1	277024105102	ENGINE MOUNTING ARM LH (FRONT)	1		
4	257624100101	ASSY RUBBER SUPPORT FRONT	2		
-	257624109201	WASHER (FOR FRONT RUBBER SUPPORT)	2		
5	3522420509	TORQUE SUPPORT	2		
6	275024200105	ASSY. BRACKET RH (ENGINE MOUNTING REAR RH TOP ON ENGINE)	1		
6	275024200101	ASSY. BRACKET LH (ENGINE MOUNTING REAR LH TOP ON ENGINE)	1		
8	257624200118	ASSY RUBBER SUPPORT REAR	2		
9	275024200103	ASSY. BRACKET RH (ENGINE MOUNTING REAR RH BOTTOM ON ENGINE)	1		
9	275024200104	ASSY. BRACKET LH (ENGINE MOUNTING REAR LH BOTTOM ON ENGINE)	1		

CHASSIS TYPE: ALL



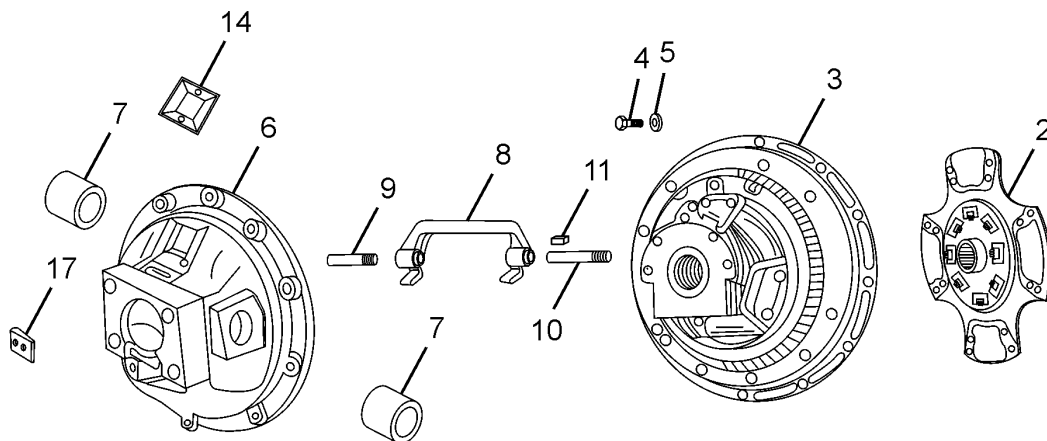
00.25.01		CLUTCH		GROUP 25
CHASSIS TYPE: ALL				
FIG. NO.	PART NUMBER	DESCRIPTION	QTY	REMARKS
2	275225200106	352 DIA. CL. DISC ASSY. (1.75" SPLINE)	1	SET A M/S.SETCO; SET A AND SET B ARE OPTIONAL
3	275225400105	352 DIA. CL. COVER ASSY (1.75" SPLINE)	1	SET A M/S.SETCO; SET A AND SET B ARE OPTIONAL
2	275225200105	352 DIA. CL. DISC ASSY. (1.75" SPLINE)	1	SET B M/S.VALEO; SET A AND SET B ARE OPTIONAL
3	275225400111	352 DIA. CL. COVER ASSY (1.75" SPLINE)	1	SET B M/S.VALEO; SET A AND SET B ARE OPTIONAL
4	275425408001	HEX SCREW	12	
5	275425409201	FLAT WASHER	12	
		CLUTCH HOUSING		
6	269125100101	SUB. ASSY. CLUTCH HOUSING	1	
7	275425103401	BUSH (CLUTCH HOUSING RELEASE SYSTEM)	4	
8	275425605101	CLUTCH RELEASE YOKE	1	
9	275425607901	CROSS SHAFT	1	
10	272425607901	CROSS SHAFT	1	
11	275425605901	KEY (CLUTCH RELEASE YOKE)	1	
14	0422510004J	CLUTCH COVER HOUSING UPPER	1	
	275125108201	COVER (CLUTCH HOUSING LOWER)	1	
17	269125108201	COVER	1	
		REPAIR KIT (FOR M/S SETCO CLUTCH)		
	275425400119	RELEASE SLEEVE REPAIR KIT,CONSISTS OF :	1	
	-	LOCK NUT SLEEVE	1	
	-	SLEEVE	1	
	-	SLEEVE BUSHING	1	
	-	ADJ.RING	1	
	275425400110	RELEASE LEVER REPAIR KIT,CONSISTS OF :	1	
	-	RELEASE LEVER	3	
	-	RETRACTOR SPRING	3	
	-	PRESS PLATE PIN	3	
	-	NEEDLE BEARING	6	
	-	WASHER	6	
	-	RETAINER SPRING	3	
	275425400111	PRESSURE SPRING REPAIR KIT,CONSISTS OF :	1	
	-	PRESSURE SPRING	12	
	-	PRESSURE SPRING	9	

CHASSIS TYPE: ALL



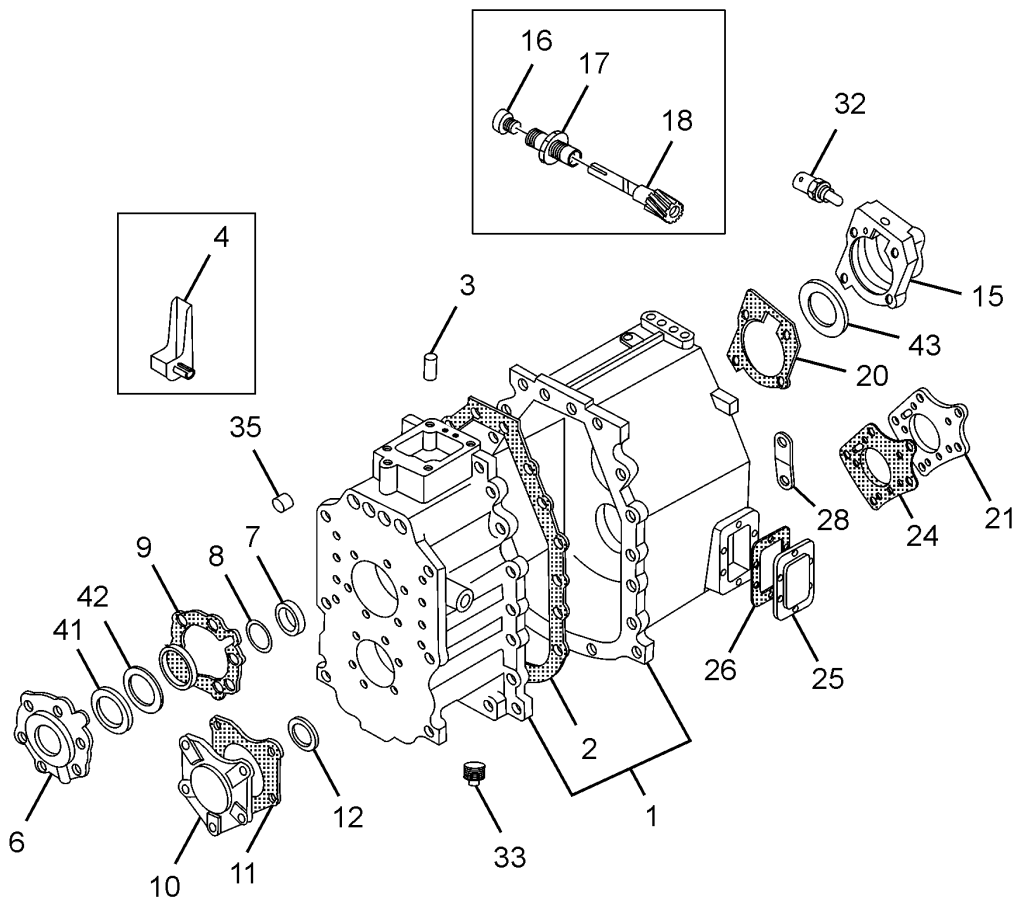
00.25.01		CLUTCH		GROUP 25
CHASSIS TYPE: ALL				
FIG. NO.	PART NUMBER	DESCRIPTION	QTY	REMARKS
	275425400112	RELEASE BEARING CASTING REPAIR KIT,CONSISTS OF :	1	
	-	GREASE NIPPLE	1	
	-	RELEASE BEARING HOUSING SUB ASSY.	1	
	-	BEARING HOUSING	1	
	-	WELDING W/BRG.HSG.WEAR PAD	2	
	275425400113	FULL RELEASE LEVER ASSY. REPAIR KIT,CONSISTS OF :	1	
	-	SPIDER	1	
	-	LOCK NUT SLEEVE	1	
	-	COTTER PIN	1	
	-	RELEASE BEARING SUB ASSY.	3	
	-	BEARING HOUSING	1	
	-	ADJ.RING	1	
	-	COVER PLATE	1	
	-	WELDING W/BRG.HSG.WEAR PAD	2	
	-	SLEEVE BEARING	1	
	-	SLEEVE BUSHING	1	
	-	BEARING	1	
	-	RIVET	4	
	-	GREASE NIPPLE	1	
	-	SNAP RING	1	
	275425400114	PRESSURE PLATE AND NEEDLE ROLLER REPAIR KIT,CONSISTS OF :	1	
	-	PRESSURE PLATE	1	
	-	NEEDLE BEARING	6	
	275425400115	EYE BOLT AND NEEDLE ROLLER REPAIR KIT,CONSISTS OF :	1	
	-	EYE BOLT	3	
	-	LOCK NUT	3	
	-	ADJUSTING NUT	3	
	-	NEEDLE BEARING	3	
	-	EYE BOLT PIN	3	
	275425400116	RELEASE SPIDER REPAIR KIT,CONSISTS OF :	1	
	-	SPIDER	1	
	-	COTTER PIN	3	
	-	LOCK NUT SLEEVE	1	
	275425400120	HOLD DOWN BOLT KIT,CONSISTS OF :	1	
	-	HOLD DOWN BOLT	3	
	-	WASHER	3	

CHASSIS TYPE: ALL



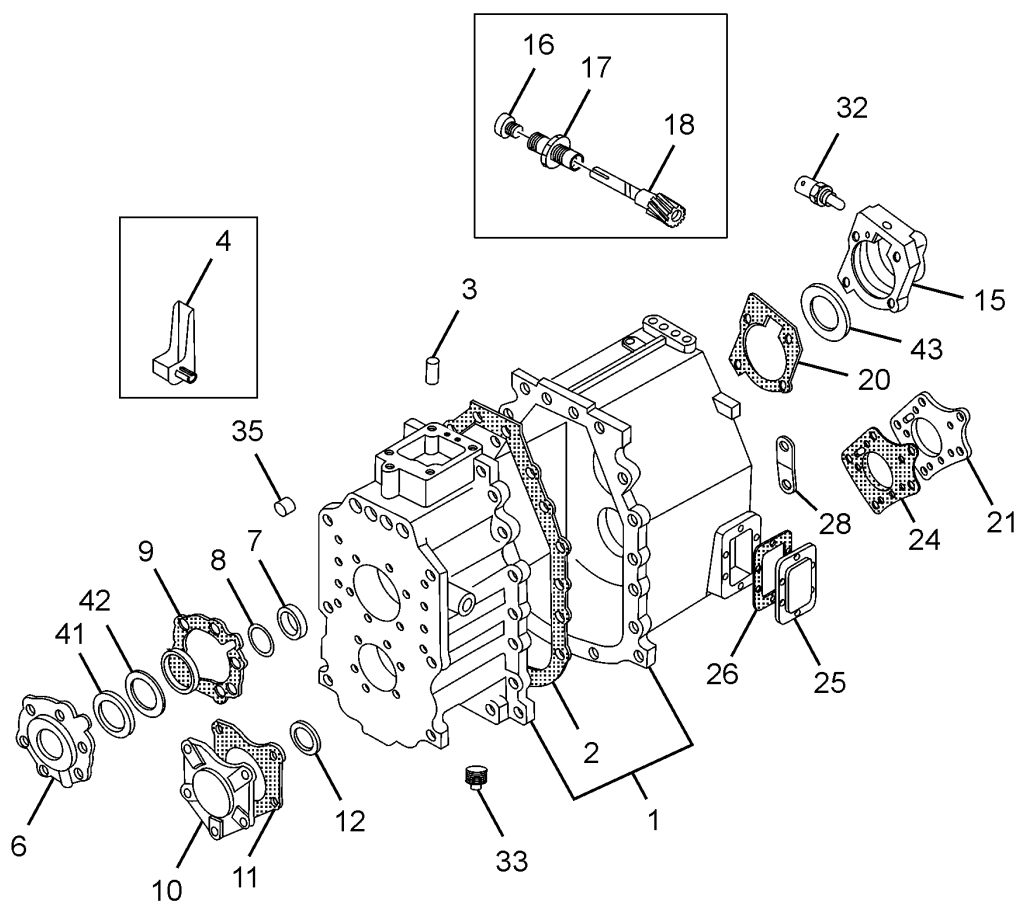
00.25.01		CLUTCH		GROUP 25
CHASSIS TYPE: ALL				
FIG. NO.	PART NUMBER	DESCRIPTION	QTY	REMARKS
	275425200109	DISC FACING KIT,CONSISTS OF :	1	
	-	FACING CERAMIC	12	
	-	FACING RIVETS	12	
		REPAIR KIT (FOR M/S VALEO CLUTCH)		
	275425206303	DISC PAD KIT,CONSISTS OF :	1	
	-	DISC PAD	12	
	-	RIVET PAD	12	
	275425400126	PRESSURE PLATE(WITH ROLL PIN)	1	
	275225400112	DRIVE STRAP KIT,CONSISTS OF :	1	
	-	BOLT M 10X1.25	4	
	-	WASHER M 10	8	
	-	SPRING WASHER	4	
	-	NUT M 10X1.25	4	
	-	SHOULDER BOLT M 10X1.25	4	
	-	DRIVE STRAP	12	
	275425408706	DIAPHRAGM AND SPIDER KIT	1	
	275425606701	WEAR PAD	2	
	275425600102	RELEASE BEARING SUB ASSY.(1.75"SPLINE)	1	
	275425400125	COVER SUB ASSY.CONSISTS OF :	1	
	-	PRESSURE PLATE (WITH ROLL PIN)	1	
	-	BOLT M 10X1.25	1	
	-	WASHER M 10	1	
	-	SPRING WASHER	1	
	-	NUT M 10X1.25	1	
	-	SHOULDER BOLT M 10X1.25	1	
	-	DIAPHRAGM AND SPIDER KIT	1	

CHASSIS TYPE: ALL



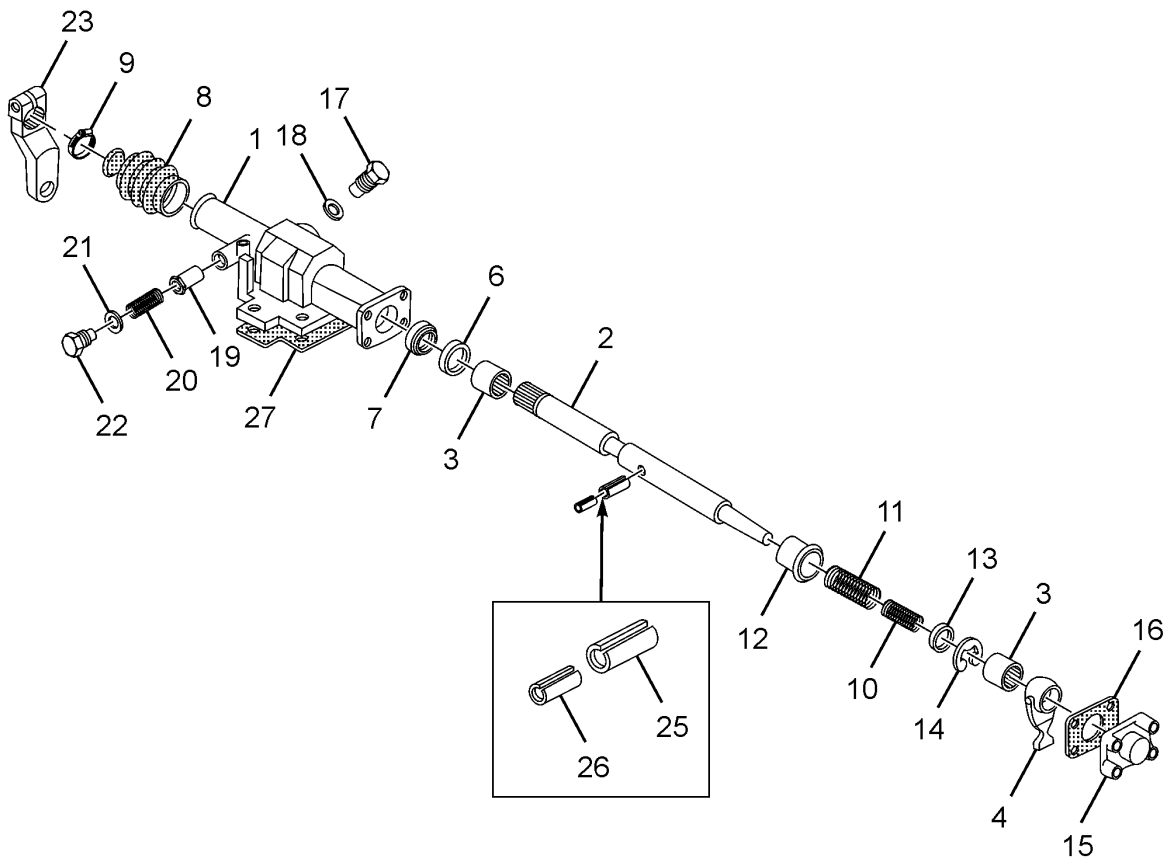
26.26.01		GEARBOX, HOUSING AND COVERS		GROUP 26	
CHASSIS TYPE: ALL					
FIG. NO.	PART NUMBER	DESCRIPTION	QTY	REMARKS	
-	269126010187	ASSY G600-6/8.47LHD.130C/F.30D.SL/SH LEV	1		
1	269126100104	ASSY.GEAR BOX HOUSING FRONT+REAR HALF	1		
2	269126105303	GASKET (HOUSING FRONT & REAR)	1		
3	269126106701	PIN (GEAR BOX HOUSING)	2		
4	269126106301	OIL CATCHER	1		
-	269126108202	COVER (OIL CATCHER)	1		
6	269126253704	FRONT COVER (UPPER)	1		
7	269126257808	OIL SEAL (CR SEALS)	1		
8	269126208301	SHIM (0.5 THICK)	AR	FOR SELECTION	
8	269126208302	SHIM (0.25 THICK)	AR	FOR SELECTION	
8	269126208303	SHIM (0.125 THICK)	AR	FOR SELECTION	
8	269126208304	SHIM (0.05 THICK)	AR	FOR SELECTION	
9	269126255302	GASKET (FRONT COVER UPPER)	1		
10	269126303703	FRONT COVER (LOWER)	1		
11	269126255303	GASKET (FRONT COVER LOWER)	1		
12	269126308305	SHIM (0.5 THICK)	AR	FOR SELECTION	
12	269126308306	SHIM (0.25 THICK)	AR	FOR SELECTION	
12	269126308307	SHIM (0.125 THICK)	AR	FOR SELECTION	
12	269126308308	SHIM (0.05 THICK)	AR	FOR SELECTION	
15	269126203710	REAR COVER (UPPER)	1		
-	269126208203	OIL SLINGER (REAR COVER UPPER)	1		
16	250626207804	OIL SEAL (SPEEDO PINION)	1		
17	269126203426	SPEEDO ADAPTER	1		
18	269126207910	SPEEDO PINION	1		
20	269126205302	GASKET (REAR COVER UPPER)	1		
21	269126303702	REAR COVER (GEAR BOX HOUSING LOWER -INTEGRAL)	1		
24	269126305301	GASKET (FOR REAR COVER LOWER INTEGRAL)	1		
25	269126358202	COVER (R.I. GEAR)	1		
26	269126355302	GASKET (R.I. GEAR COVER)	1		
28	269126357101	LOCKING PLATE (R.I. SHAFT)	1		
-	269126159901	ADAPTER (BREATHER)	1		
-	257428159901	BREATHER (MICO)	1		
32	270254509950	REVERSE LIGHT SWITCH	1		
33	250626107203	MAGNETIC DRAIN PLUG (HEX. HEAD TYPE)	2		
35	269126108201	PLUG (SHIFTER SHAFT REAR)	8		
41	269126258203	OIL DAM (FRONT COVER)	1		

CHASSIS TYPE: ALL



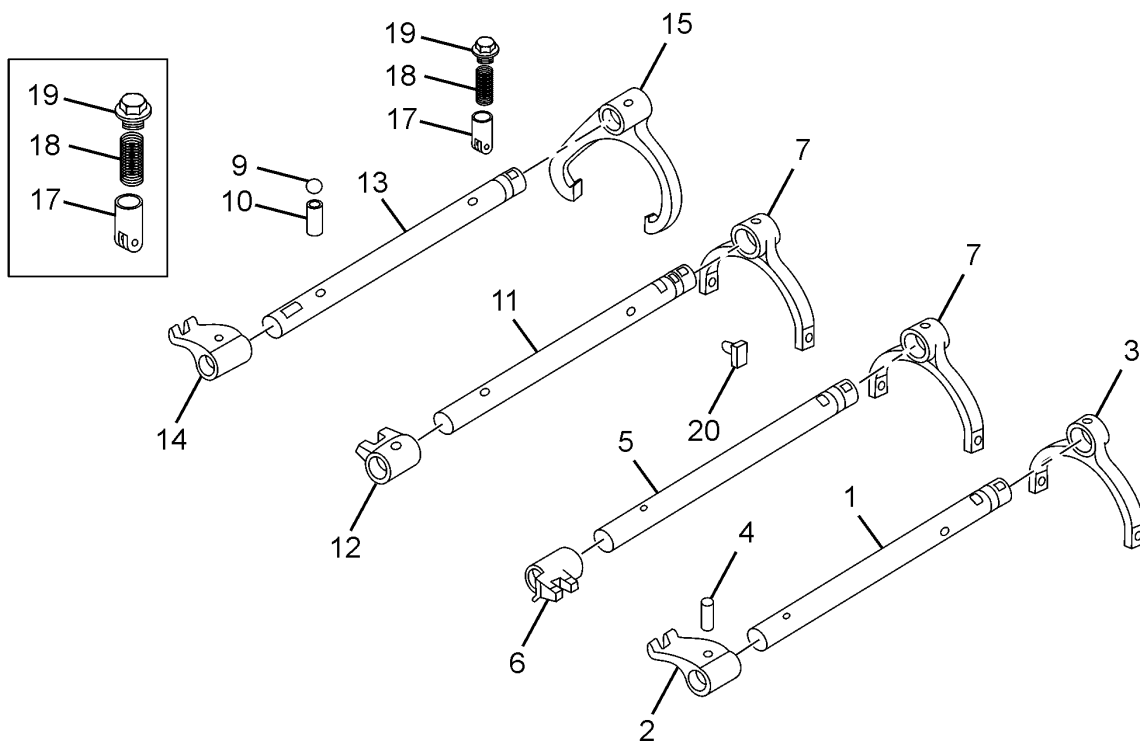
26.26.01		GEARBOX, HOUSING AND COVERS		GROUP 26	
CHASSIS TYPE: ALL					
FIG. NO.	PART NUMBER	DESCRIPTION	QTY	REMARKS	
42	269126258205	OIL SLINGER (FRONT COVER)	1		
43	269126208203	OIL SLINGER (REAR COVER)	1		

CHASSIS TYPE: ALL



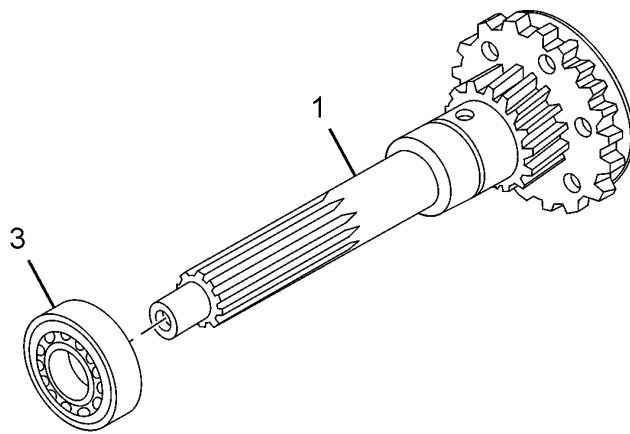
26.26.02		TOP COVER		GROUP 26	
CHASSIS TYPE: ALL					
FIG. NO.	PART NUMBER	DESCRIPTION	QTY	REMARKS	
1	251626713705	COVER TOP (UPPER) LHD	1		
27	251626715303	GASKET UPPER HALF GEAR CASE COVER TOP	1		
2	269126707906	SELECTOR AND SHIFTER SHAFT	1		
3	250726713105	NEEDLE CAGE	2		
4	269126715101	SHIFTER FINGER	1		
6	17061602518	OIL SEAL 25X35X7	1		
7	250726717803	SCRAPER RING	1		
8	250526717701	BELLOW	1		
9	14270202501	HOSE CLIP 25	1		
10	251626718705	COMPRESSION SPRING (INNER)	1		
11	251626718707	COMPRESSION SPRING (OUTER)	1		
12	251626718201	CUP	1		
13	251626718601	SPACER	1		
14	14550801206	CIRCLIP 12X1.3	1		
15	269126713802	COVER (SIDE)	1		
16	251626715302	GASKET (SIDE COVER)	1		
17	16081001603	SEALING PLUG AM 16X1.5	1		
18	251626718602	CRINKLED WASHER	1		
19	251626716705	PRESSURE PIECE	1		
20	251626718704	COMPRESSION SPRING	1		
21	251626718603	CRINKLED WASHER	1		
22	251626717201	SEALING PLUG	1		
23	250526706009	SHIFTING LEVER (SELECTOR & SHIFTER SHAFT)	1		
25	13120512409	DOWEL SLEEVE HEAVY 10X40	1		
26	13120510406	DOWEL SLEEVE HEAVY 6X40	1		

CHASSIS TYPE: ALL



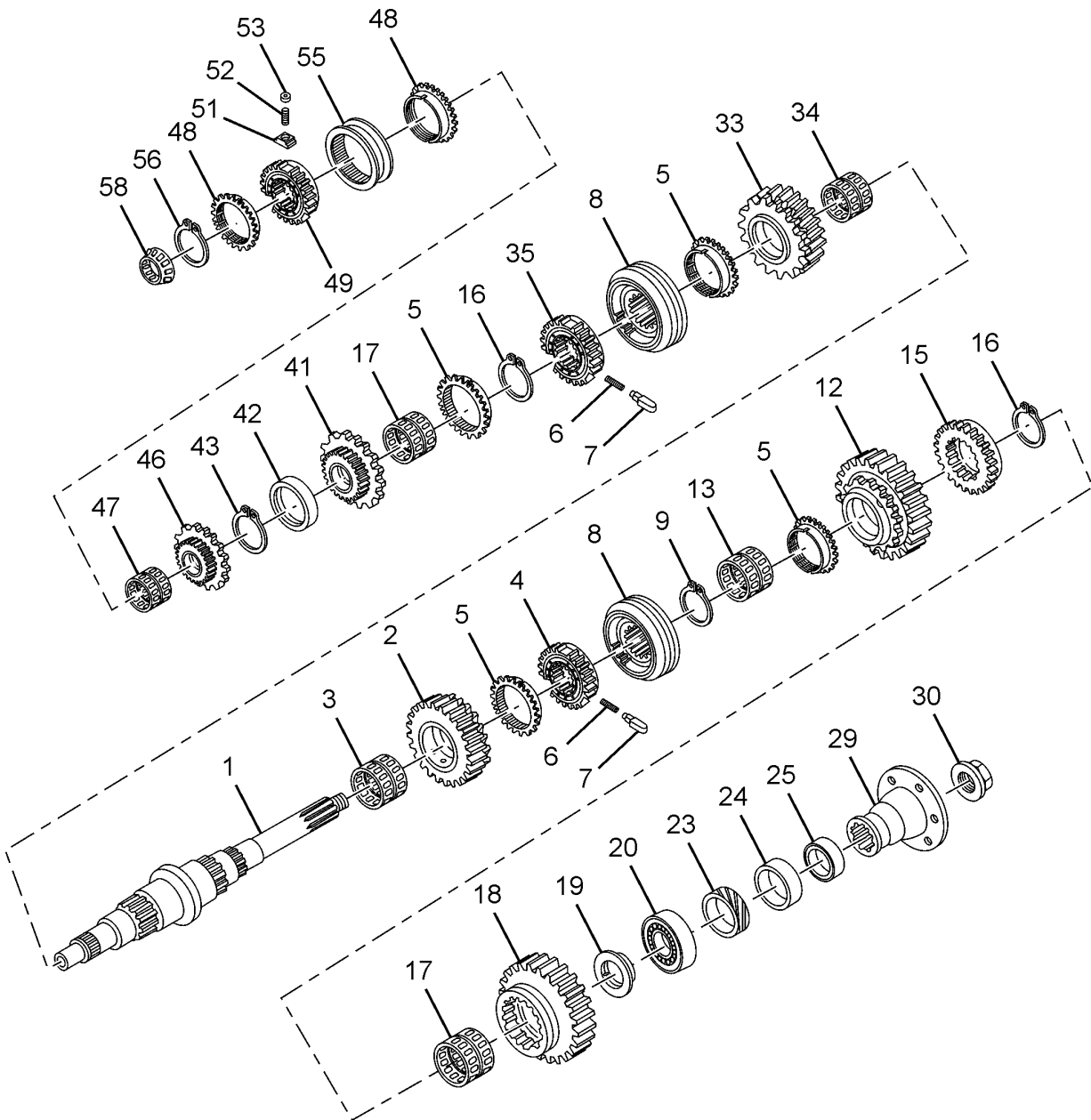
26.26.03		SHIFTER SHAFT AND FORK		GROUP 26
CHASSIS TYPE: ALL				
FIG. NO.	PART NUMBER	DESCRIPTION	QTY	REMARKS
1	269126517907	SHIFTER SHAFT (5TH / 6TH SPEED)	1	
2	269126515117	SHIFTER DOG [5th/6th SPEED]	1	
3	269126515127	SHIFTER FORK (5th/6th)	1	
4	269126516706	SPIRAL PIN 8X36	2	
5	269126517910	SHIFTER SHAFT (3/4 SPEED)	1	
6	269126515116	SHIFTER DOG (3RD / 4TH SPEED)	1	
7	269126515125	SHIFTER FORK (1/2, 3/4 SPEED)	1	
4	269126516706	SPIRAL PIN 8X36	2	
9	15950400177	BALL 13.49 DIA.	3	
10	269126516703	INTERLOCK PIN	2	
11	269126517908	SHIFTER SHAFT (1ST / 2ND SPEED)	1	
12	269126515115	SHIFTER DOG (1ST / 2ND SPEED)	1	
7	269126515125	SHIFTER FORK (1/2, 3/4 SPEED)	1	
4	269126516706	SPIRAL PIN 8X36	2	
13	269126517909	SHIFTER SHAFT (REVERSE)	1	
14	269126515118	SHIFTER DOG (REVERSE)	1	
15	269126515113	SHIFTER FORK (REVERSE)	1	
4	269126516706	SPIRAL PIN 8X36	2	
17	269126510120	ASSY. DETENT	4	
18	269126518703	COMPRESSION SPRING (DETENT)	4	
19	269126107202	SEALING PLUG (DETENT)	6	
20	269126519901	BRASS PAD	6	

CHASSIS TYPE: ALL



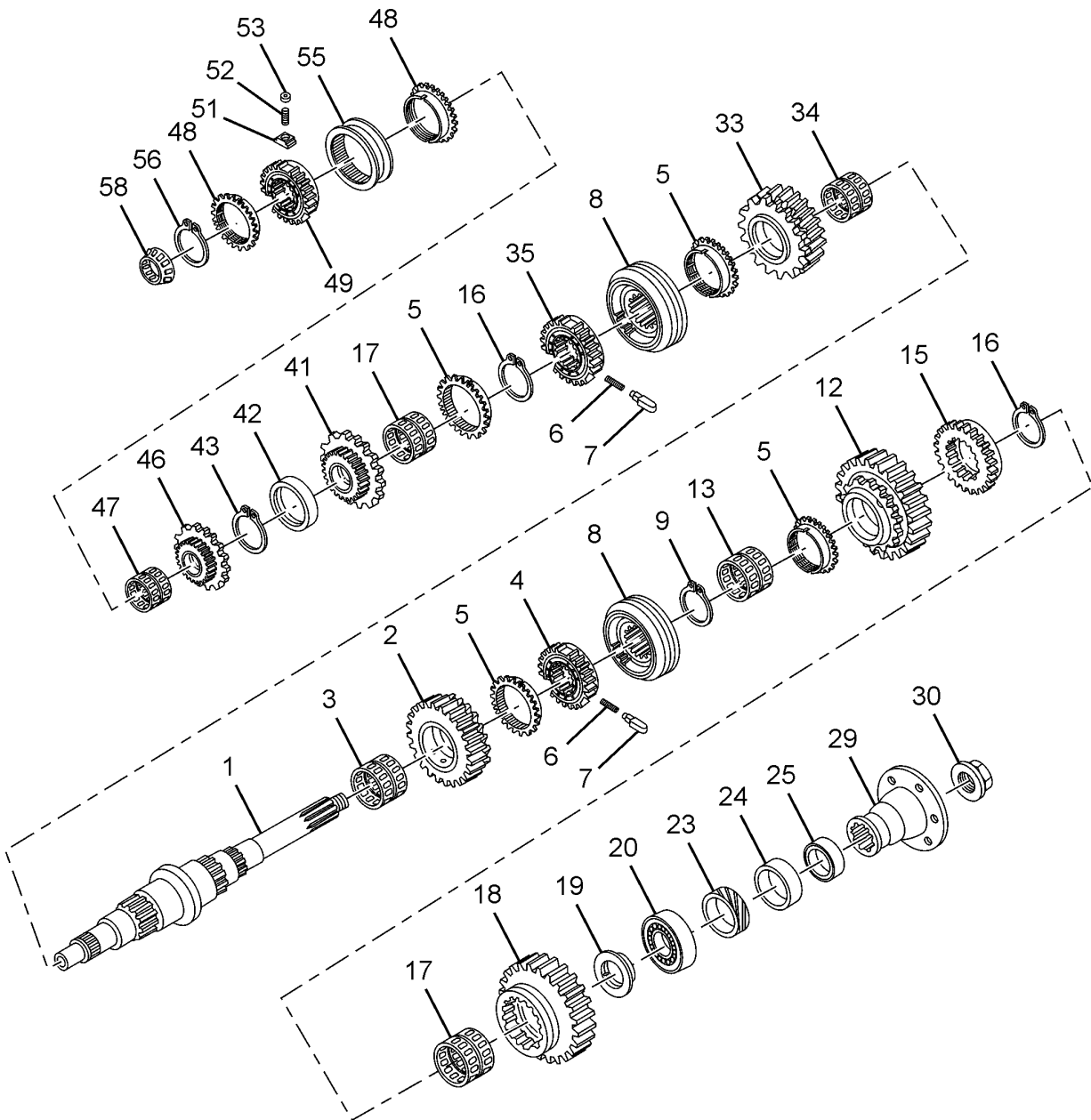
26.26.04		DRIVE SHAFT		GROUP 26	
CHASSIS TYPE: ALL					
FIG. NO.	PART NUMBER	DESCRIPTION	QTY	REMARKS	
1	269126250126	ASSY DRIVE SHAFT-8.47(THRUST BRG.ARRGMT)	1		
3	269126203103	TAPER ROLLER BEARING (CLUTCH SIDE)	1		
-	269126253105	CYLINDRICAL ROLLER THRUST BEARING	1		

CHASSIS TYPE: ALL



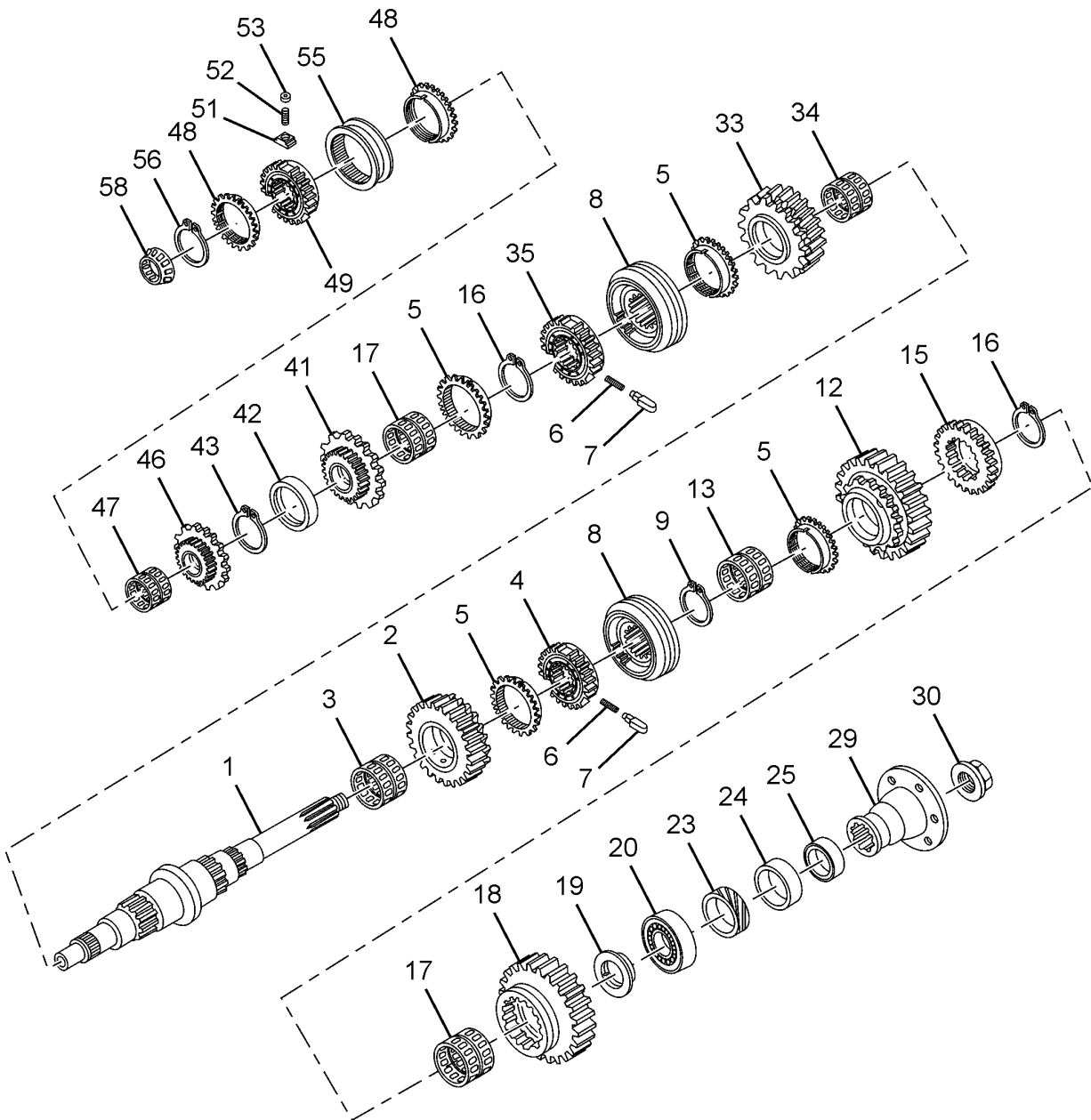
26.26.05		MAIN SHAFT AND GEARS		GROUP 26	
CHASSIS TYPE: ALL					
FIG. NO.	PART NUMBER	DESCRIPTION	QTY	REMARKS	
1	269126207911	MAIN SHAFT(9.19 RATIO THRUST BRG.ARRGMT)	1		
2	269126200133	ASSY. HELICAL GEAR 2ND SPEED	1		
3	269126203120	NEEDLE CAGE DOUBLE ROW	1		
4	269126204641	ENGAGING GEAR(1ST/2ND) LOOSE SYN.RING.	1		
5	269126204646	SYNCHROCONE (CARBON) (1/2,3/4)	2		
6	250726208705	COMPRESSION SPRING	3		
7	250726206702	RETENTION PIN	3		
8	269126204618	SHIFTER SLEEVE (1ST / 2ND / 3RD / 4TH)	1		
9	269126204313	CIRCLIP (2.3 THICK)	1	FOR SELECTION	
9	269126204314	CIRCLIP (2.4 THICK)	1	FOR SELECTION	
9	269126204315	CIRCLIP (2.6 THICK)	1	FOR SELECTION	
9	269126204316	CIRCLIP (2.6 THICK)	1	FOR SELECTION	
9	269126204317	CIRCLIP (2.7 THICK)	1	FOR SELECTION	
12	269126200135	ASSY. 1ST GEAR (MAIN SHAFT)	1		
13	269126203111	NEEDLE CAGE 1ST SPEED	1		
15	269126204616	ENGAGING GEAR (REVERSE)	1		
16	269126204301	CIRCLIP (1.8 THICK)	1	FOR SELECTION	
16	269126204302	CIRCLIP (1.9 THICK)	1	FOR SELECTION	
16	269126204303	CIRCLIP (2.0 THICK)	1	FOR SELECTION	
16	269126204304	CIRCLIP (2.1 THICK)	1	FOR SELECTION	
16	269126204305	CIRCLIP (2.2 THICK)	1	FOR SELECTION	
16	269126204310	CIRCLIP (2.3 THICK)	1	FOR SELECTION	
16	269126204311	CIRCLIP (2.4 THICK)	1	FOR SELECTION	
17	269126203106	NEEDLE CAGE (REVERSE / 4TH GEAR)	1		
18	269126205413	REVERSE GEAR (MAIN SHAFT)	1		
19	269126208612	SPACER (MAIN SHAFT) (11.4 THICK)	1	FOR SELECTION	
19	269126208613	SPACER (MAIN SHAFT) (11.3 THICK)	1	FOR SELECTION	
19	269126208614	SPACER (MAIN SHAFT) (11.2 THICK)	1	FOR SELECTION	
19	269126208615	SPACER (MAIN SHAFT) (11.1 THICK)	1	FOR SELECTION	
19	269126208616	SPACER (MAIN SHAFT) (11.0 THICK)	1	FOR SELECTION	
19	269126208617	SPACER (MAIN SHAFT) (10.9 THICK)	1	FOR SELECTION	
19	269126208618	SPACER (MAIN SHAFT) (10.8 THICK)	1	FOR SELECTION	
19	269126208619	SPACER (MAIN SHAFT) (10.7 THICK)	1	FOR SELECTION	
19	269126208620	SPACER (MAIN SHAFT) (10.5 THICK)	1	FOR SELECTION	
19	269126208624	SPACER (MAIN SHAFT) (11.6 THICK)	1	FOR SELECTION	
19	269126208625	SPACER (MAIN SHAFT) (11.5 THICK)	1	FOR SELECTION	
19	269126208626	SPACER (MAIN SHAFT) (10.5 THICK)	1	FOR SELECTION	

CHASSIS TYPE: ALL



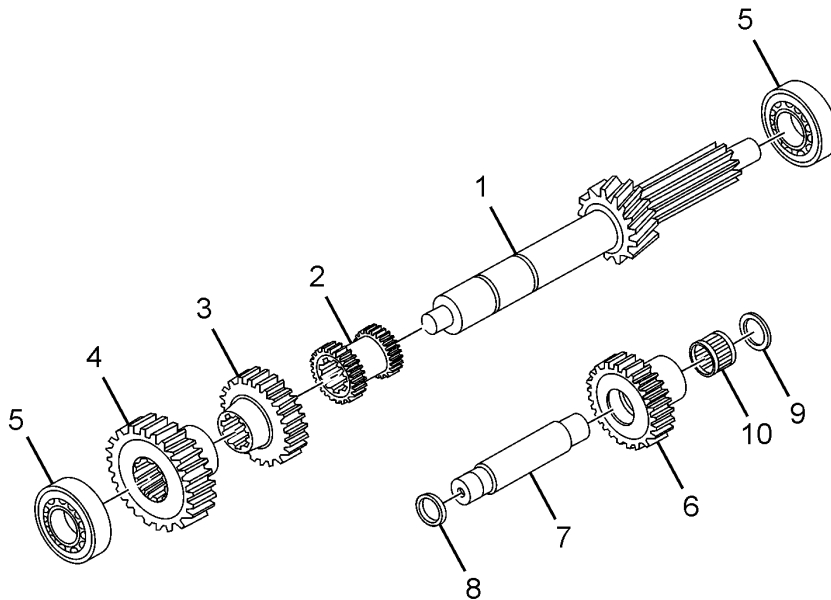
26.26.05		MAIN SHAFT AND GEARS		GROUP 26	
CHASSIS TYPE: ALL					
FIG. NO.	PART NUMBER	DESCRIPTION	QTY	REMARKS	
19	269126208627	SPACER (MAIN SHAFT) (10.4 THICK)	1	FOR SELECTION	
20	269126203103	TAPER ROLLER BEARING	1		
23	268826205407	SPEEDO GEAR (MAIN SHAFT)	1		
24	269126208601	SPACER (COUPLING FLANGE)	1		
25	269126207814	OIL SEAL (REAR COVER)	1		
-	269126207807	DUST SEAL (REAR COVER)	1		
29	269126200172	ASSY. COUPLING FLANGE	1		
	269126208204	DUST COVER			
30	268826206501	LOCK NUT (COUPLING FLANGE)	1		
33	269126200136	ASSY. 3RD GEAR MAIN SHAFT	1		
34	269126203124	NEEDLE CAGE (1ST / 2ND / 3RD GEAR)	1		
35	269126204642	ENGAGING GEAR(3RD/4TH) LOOSE SYN.RING.	1		
8	269126204618	SHIFTER SLEEVE (1ST / 2ND & 3RD / 4TH)	1		
7	250726206702	RETENTION PIN	3		
6	250726208705	COMPRESSION SPRING	3		
5	269126204646	SYNCHROCONE (CARBON) (1/2,3/4)	2		
16	269126204301	CIRCLIP (1.8 THICK)	1	FOR SELECTION	
16	269126204302	CIRCLIP (1.9 THICK)	1	FOR SELECTION	
16	269126204303	CIRCLIP (2.0 THICK)	1	FOR SELECTION	
16	269126204304	CIRCLIP (2.1 THICK)	1	FOR SELECTION	
16	269126204305	CIRCLIP (2.2 THICK)	1	FOR SELECTION	
16	269126204310	CIRCLIP (2.3 THICK)	1	FOR SELECTION	
16	269126204311	CIRCLIP (2.4 THICK)	1	FOR SELECTION	
17	269126203106	NEEDLE CAGE (REV. GEAR / 4TH)	1		
41	269126200147	ASSY. 4TH GEAR MAIN SHAFT	1		
42	269126208628	SPACER (MAIN SHAFT)	1		
43	269126204306	CIRCLIP (2.4 THICK)	1	FOR SELECTION	
43	269126204307	CIRCLIP (2.5 THICK)	1	FOR SELECTION	
43	269126204308	CIRCLIP (2.6 THICK)	1	FOR SELECTION	
43	269126204309	CIRCLIP (2.7 THICK)	1	FOR SELECTION	
43	269126204312	CIRCLIP (2.8 THICK)	1	FOR SELECTION	
-	269126200146	ASSY. OVER DRIVE GEAR (5th Gear)	1		
46	269126200171	ASSY ENGAGING GEAR(5TH/DS)[THRUST BRG.AG	1		
47	269126203105	NEEDLE CAGE	1		
48	269126204647	SYNCHRO CONE 5TH / 6TH SPEED (CARBON)	2		
49	269126204640	ENGAGING GEAR (5TH / 6TH SPEED)	1		
51	268826209901	CARRIER	3		

CHASSIS TYPE: ALL



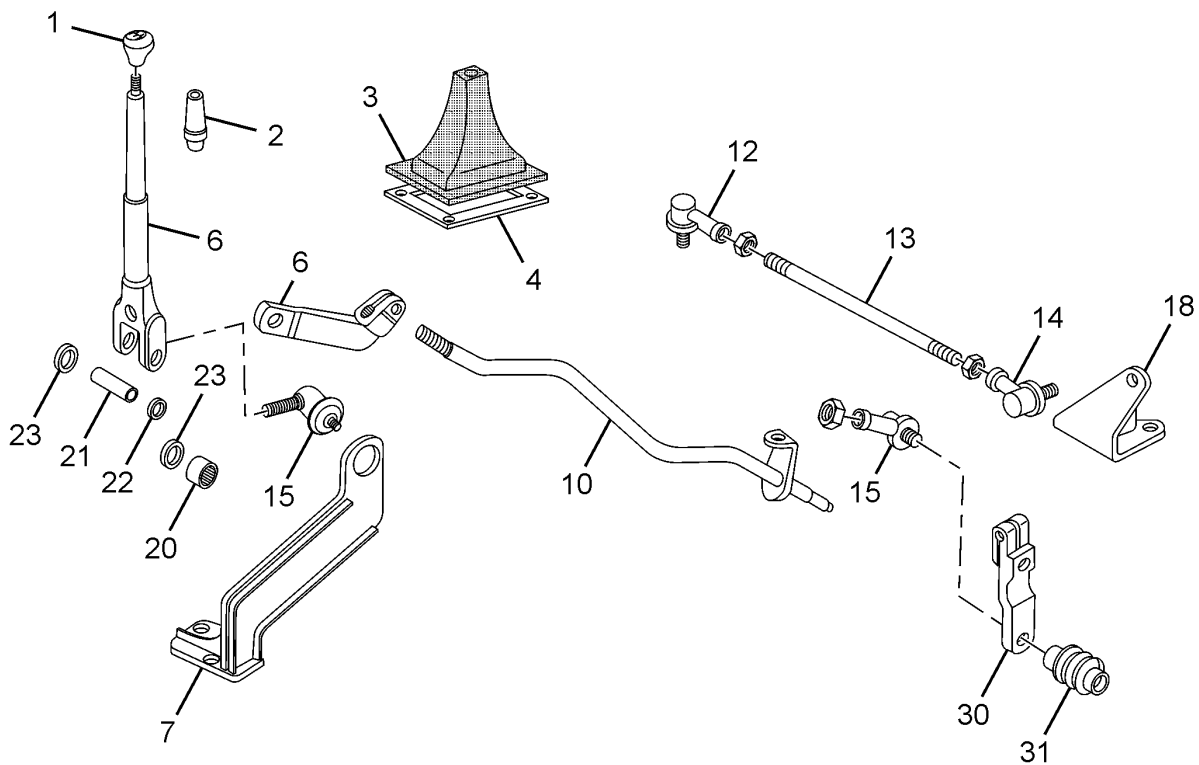
26.26.05		MAIN SHAFT AND GEARS		GROUP 26	
CHASSIS TYPE: ALL					
FIG. NO.	PART NUMBER	DESCRIPTION	QTY	REMARKS	
52	3219930701	COMPRESSION SPRING	3		
53	268826206702	RETENTION PIN (3/4)	3		
55	268826204608	SHIFTER SLEEVE (5TH / 6TH SPEED)	1		
56	251526204312	CIRCLIP 2.5 THICK	1	FOR SELECTION	
56	251526204313	CIRCLIP 2.54 THICK	1	FOR SELECTION	
56	251526204314	CIRCLIP 2.58 THICK	1	FOR SELECTION	
56	251526204315	CIRCLIP 2.62 THICK	1	FOR SELECTION	
56	251526204316	CIRCLIP 2.66 THICK	1	FOR SELECTION	
56	251526204333	CIRCLIP 2.7 THICK	1	FOR SELECTION	
56	251526204334	CIRCLIP 2.8 THICK	1	FOR SELECTION	
56	251526204335	CIRCLIP 2.75 THICK	1	FOR SELECTION	
58	269126253106	ROLLER CAGE (FOR DRIVE SHAFT)	1		

CHASSIS TYPE: ALL



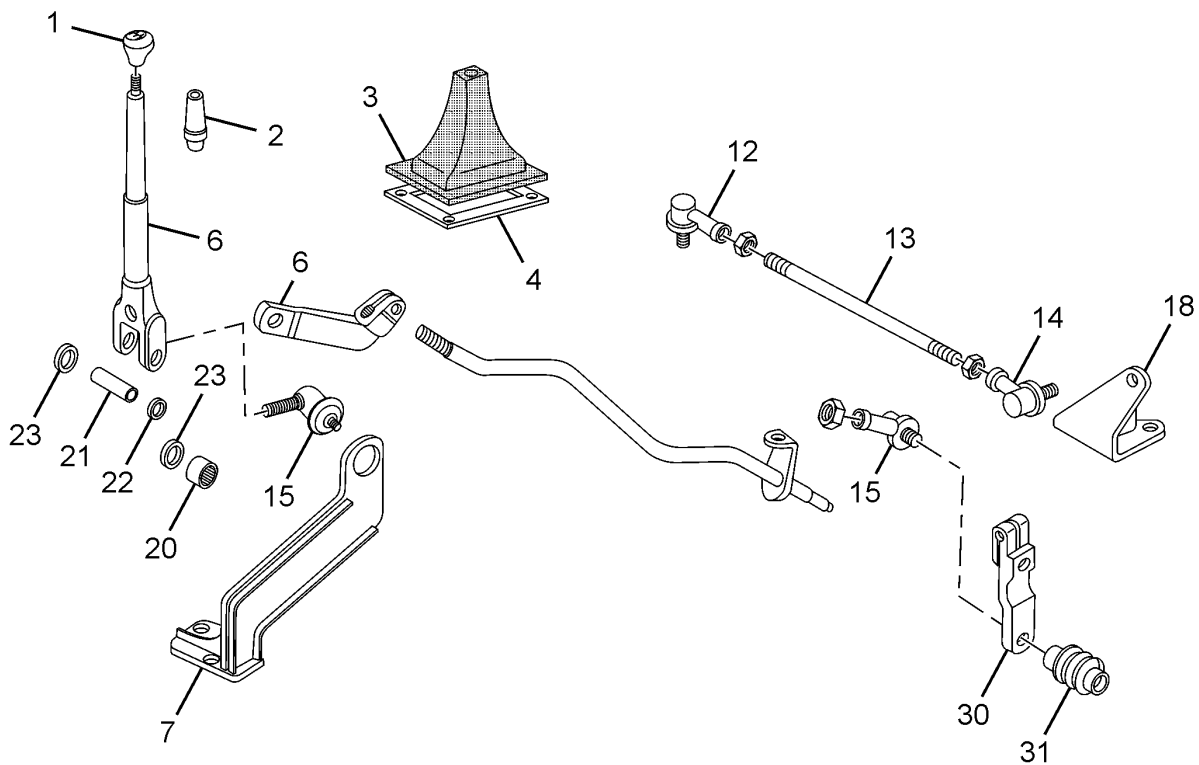
26.26.06		COUNTER SHAFT, GEARS AND REVERSE IDLER		GROUP 26
CHASSIS TYPE: ALL				
FIG. NO.	PART NUMBER	DESCRIPTION	QTY	REMARKS
1	269126307904	COUNTER SHAFT (6 SPEED)	1	
2	269126305424	3RD GEAR (COUNTER SHAFT)	1	
2	269126305425	4th SPEED GEAR (COUNTER SHAFT)	1	
3	269126305410	5TH GEAR (COUNTER SHAFT)	1	
4	269126305423	CONSTANT MESH GEAR (RATIO-8.47)	1	
5	269126303104	TAPER ROLLER BEARING	2	
6	269126355403	REVERSE IDLER GEAR	1	
7	269126357902	REVERSE IDLER SHAFT	1	
8	269126358601	SPACER (REVERSE IDLER SHAFT)	1	
9	251626356102	THRUST WASHER (REVERSE IDLER GEAR)	1	
10	269126353104	ROLLER RING (REV. IDLER GEAR)	2	

CHASSIS TYPE: 389068; 389067



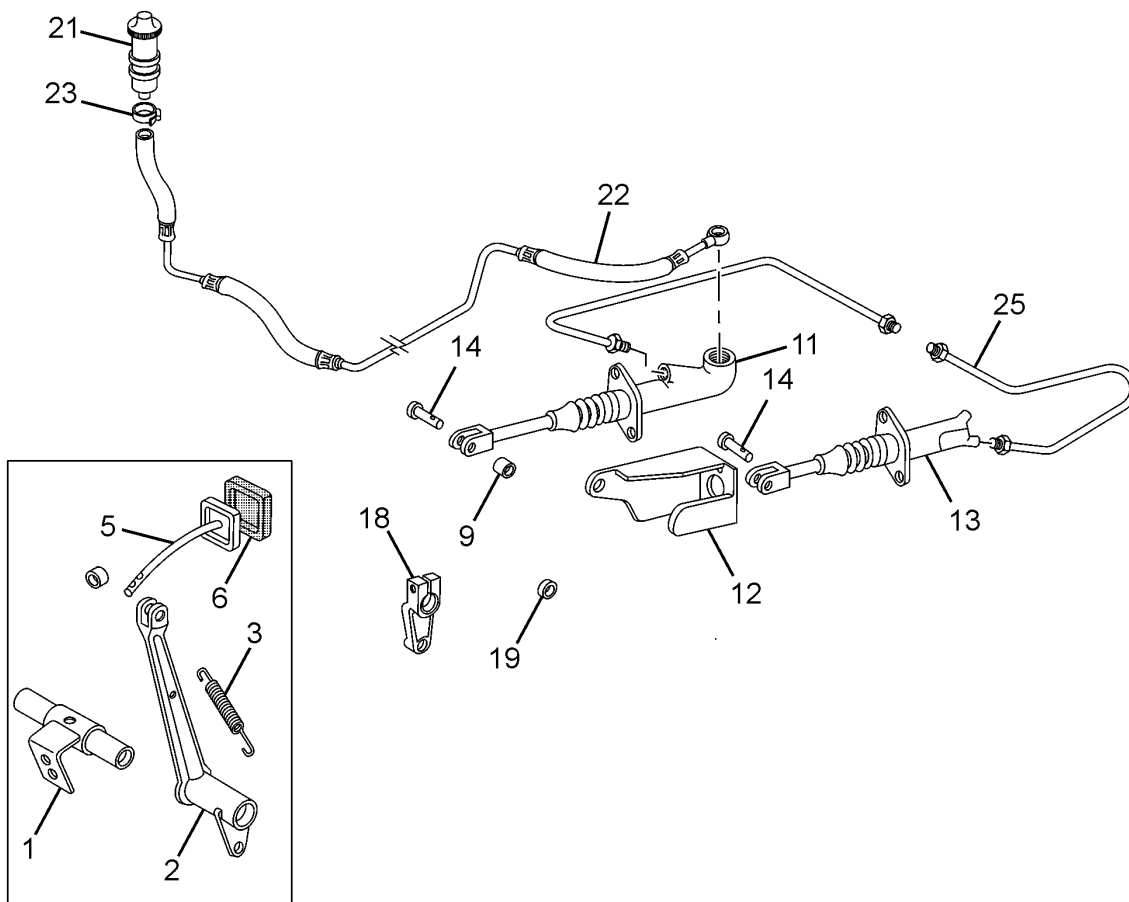
26.26.07A		GEAR SHIFT LINKAGES		GROUP 26	
CHASSIS TYPE: 389068; 389067					
FIG. NO.	PART NUMBER	DESCRIPTION	QTY	REMARKS	
1	275126800134	ASSY GEAR SHIFT LEVER KNOB	1		
2	276326800113	ASSY SPACER	1		
3	275126807702	RUBBER BELLOW	1		
4	275126800152	ASSY. BASE PLATE	1		
6	219226800105	GEAR SHIFT LEVER	1		
7	275026800113	ASSY.BRACKET (ON ENGINE)	1		
10	275026800114	ASSY TURNING TUBE W/O BALL JOINT	1		
12	264126800224	ASSY BALL JOINT RH THREADS	1		
13	264126807925	LINK ROD	1		
14	264126800225	ASSY BALL JOINT LH THREADS	1		
15	250726700140	SUB ASSY BALL & SOCKET JOINT BIG	1		
18	269126710121	ASSY BRACKET LHD (SHIFT LINK)	1		
20	265146603401	NEEDLE BUSH	2		
21	263026806703	PIN	2		
22	263026808601	SPACER	1		
23	265146607702	SEALING RING	2		
-	275026805301	GASKET (BETWEEN HOUSING BLOCK AND TURNING TUBE)	1		
-	276326800110	ASSY HOUSING BLOCK	1		
30	250526706009	SHIFTING LEVER (SELECTOR AND SHIFTER SHAFT)	1		
31	250526717701	BELLOW	1		

CHASSIS TYPE: 389277



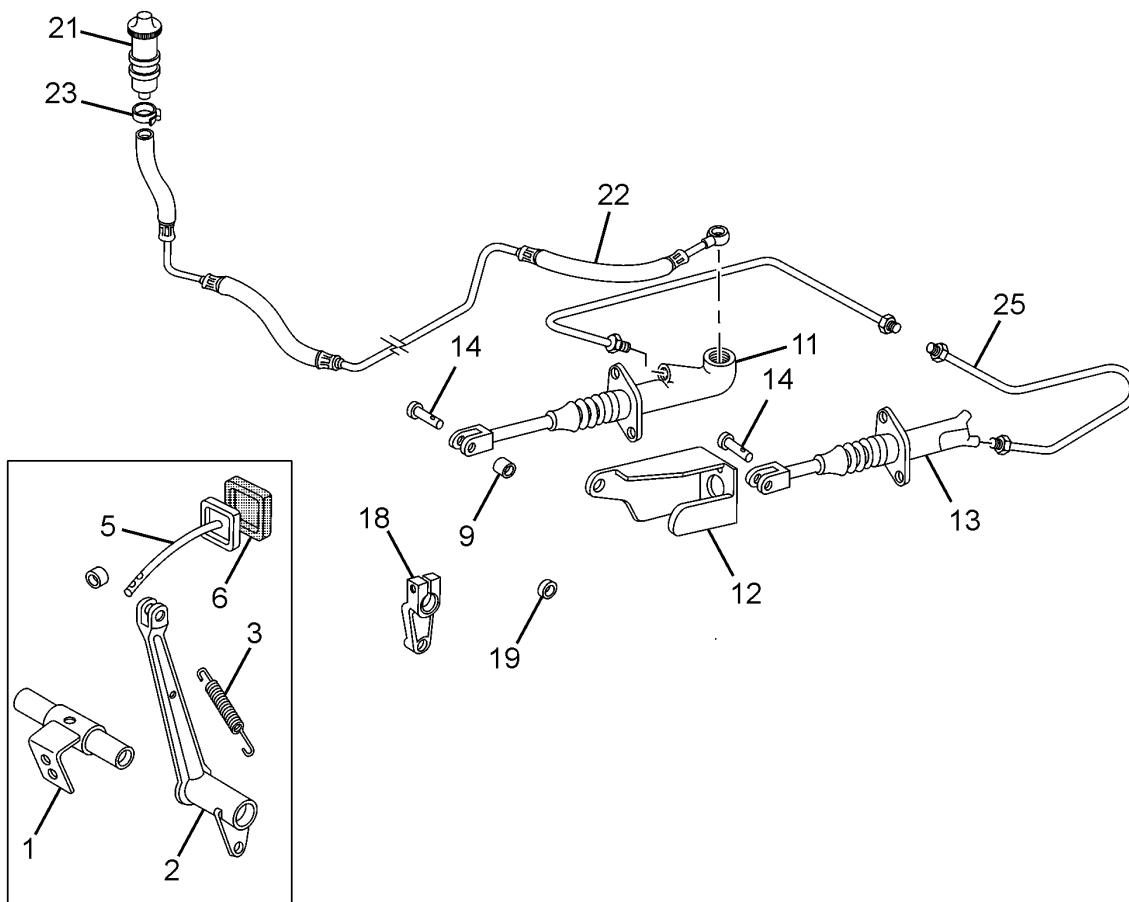
26.26.07B		GEAR SHIFT LINKAGES		GROUP 26
CHASSIS TYPE: 389277				
FIG. NO.	PART NUMBER	DESCRIPTION	QTY	REMARKS
1	275126800134	ASSY GEAR SHIFT LEVER KNOB	1	
2	276326800113	ASSY SPACER	1	
3	275126807702	RUBBER BELLOW	1	
4	275126800152	ASSY. BASE PLATE	1	
6	219226800105	GEAR SHIFT LEVER	1	
7	275026800113	ASSY.BRACKET (ON ENGINE)	1	
-	131526000012	ASSY. TURNING TUBE (W/O BALL JOINT)	1	
12	264126800224	ASSY BALL JOINT RH THREADS	1	
13	264126807925	LINK ROD	1	
14	264126800225	ASSY BALL JOINT LH THREADS	1	
15	250726700140	SUB ASSY BALL & SOCKET JOINT BIG	1	
18	269126710121	ASSY BRACKET LHD (SHIFT LINK)	1	
20	265146603401	NEEDLE BUSH	2	
21	263026806703	PIN	2	
22	263026808601	SPACER	1	
23	265146607702	SEALING RING	2	
-	275026805301	GASKET (BETWEEN HOUSING BLOCK AND TURNING TUBE)	1	
-	276326800110	ASSY HOUSING BLOCK	1	
30	250526706009	SHIFTING LEVER (SELECTOR AND SHIFTER SHAFT)	1	
31	250526717701	BELLOW	1	

CHASSIS TYPE: ALL



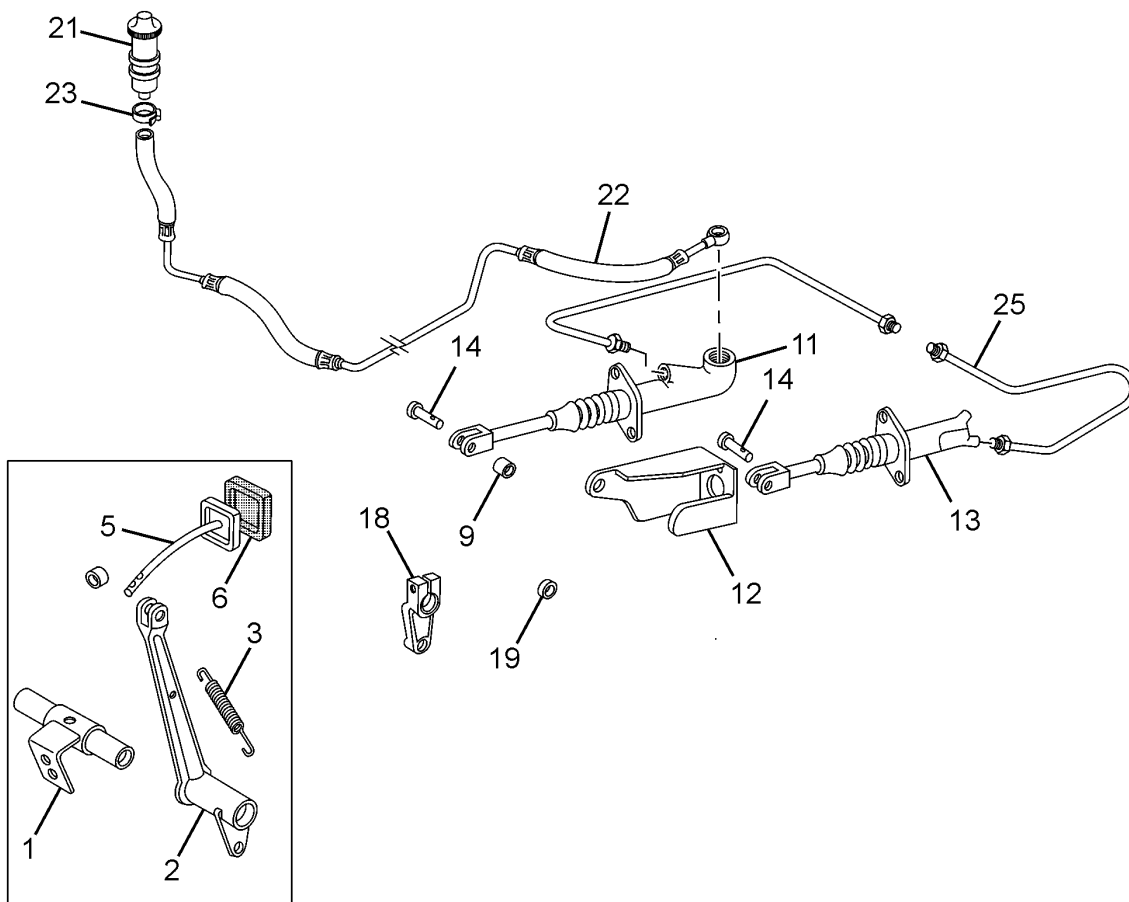
29.29.01		CLUTCH CONTROLS		GROUP 29	
CHASSIS TYPE: ALL					
FIG. NO.	PART NUMBER	DESCRIPTION	QTY	REMARKS	
1	275029500114	ASSY.PEDAL SUPPORT WITH TUBE LHD	1		
2	275029200103	ASSY.CLUTCH PEDAL LEVER COMPLETE LHD	1		
3	260829308701	SPRING (FOR CLUTCH PEDAL RETURN)	1		
5	275029100112	ASSY CLUTCH PEDAL PLATE	1		
6	3202925082	RUBBER COVER BRAKE & CLUTCH PEDAL	1		
9	275129506301	BUSH	3		
11	275029100102	ASSY.CLUTCH MASTER CYLINDER (19.05 MM DIA)	1	OPTIONAL	
11	276829100105	ASSY.CLUTCH MASTER CYLINDER (19.05 MM DIA)	1	OPTIONAL	
	219729100101	ASSY.FORK (CLUTCH MASTER CYLINDER)	1		
12	275029500116	ASSY CLUTCH BOOSTER MTG. BRACKET(70 DIA)	1		
13	287629100101	SSY.CLUTCH BOOSTER DIA.70-RULLI MAKE	1		
	216329100104	ASSY FORK(CLUTCH BOOSTER)	1		
14	219729306701	CLEVIS PIN 10F8X34X29(FOR RULLI)	1		
18	209129106003	CLUTCH RELEASE LEVER	1		
19	275129506301	BUSH	1		
21	216329100106	ASSY. CLUTCH FLUID CONTAINER WITH CLAMP	1		
22	131529000023	RUBBER HOSE (CONT. TO MASTER CYL.)	1		
-	264143106801	PIPE UNION BOLT	1		
-	16220510178	SEALING WASHER 12X15.5 AL	1		
23	14270201904	HOSE CLIP 19	1		
-	257343107502	RUBBER GROMMET (ON FLOOR)	1		
-	275029100107	ASSY. NIPPLE AND PIPE UNION BOLT	1		
25	131529000028	ASSY 6 DIA PIPE FROM CMC TO CL. BOOSTER	1		
	269929100177	REPAIR KIT MAJOR REPAIR KIT, CLUTCH MASTER CYLINDER (BIL) CONSISTING OF :	1		
-		PLUNGER ASSY.	1		
-		DUST COVER	1		
-		CRIMPING, SLEEVE	1		

CHASSIS TYPE: ALL



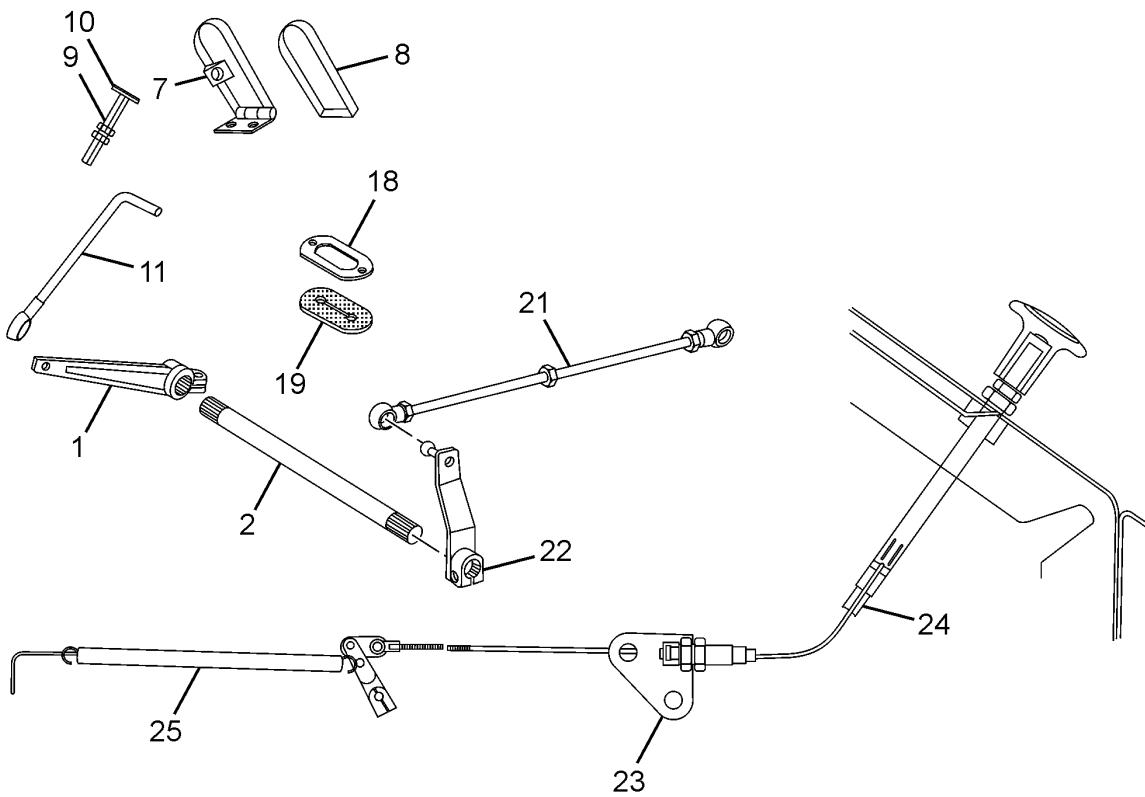
29.29.01		CLUTCH CONTROLS		GROUP 29
CHASSIS TYPE: ALL				
FIG. NO.	PART NUMBER	DESCRIPTION	QTY	REMARKS
-	265129100148	CIRCLIP	1	
-		MINOR REPAIR KIT, CLUTCH MASTER CYLINDER (BIL) CONSISTING OF :	1	
-		VALVE SEAL	1	
-		DUST COVER	1	
-		CRIMPING, SLEEVE	1	
-		CIRCLIP	1	
-		SPRING WASHER	1	
-		GLAND SEAL	1	
-		SPRING	1	
-	280929100113	MAJOR REPAIR KIT CLUTCH BOOSTER 70	1	
-		DIA CONSISTS OF:		
-		GAITER	1	
-		HYDRAULIC PISTON	1	
-		CUP SEAL	1	
-		CUP SEAL	1	
-		OIL RING 29 * 3.4	1	
-		CIRCLIP	1	
-		GASKET	1	
-		AIR SEAL	1	
-		BANJO BOLT	1	
-		WASHER	1	
-		O RING 14 * 2.2	1	
-		MAIN AIR SEAL	1	
-		O RING 12 * 2	1	
-		SEAL	1	
-		RUBBER PIPE	1	
-		SPRING CLIP	1	
-		SEAL	1	
-		AIR PROOF GASKET	1	
-		SPRING	1	
-		SPRING	1	
-		VALVE POPPET	1	
-		AIR PROOF GASKET	1	
-		PUSH ROD ASSY	1	
-		O RING 19 * 2.5	1	
-	280929100114	MINOR REPAIR KIT CLUTCH BOOSTER 70	1	
-		DIA CONSISTS OF:		
-		CUP SEAL	1	
-		CUP SEAL	1	
-		OIL RING 29 * 3.4	1	
-		CIRCLIP	1	

CHASSIS TYPE: ALL



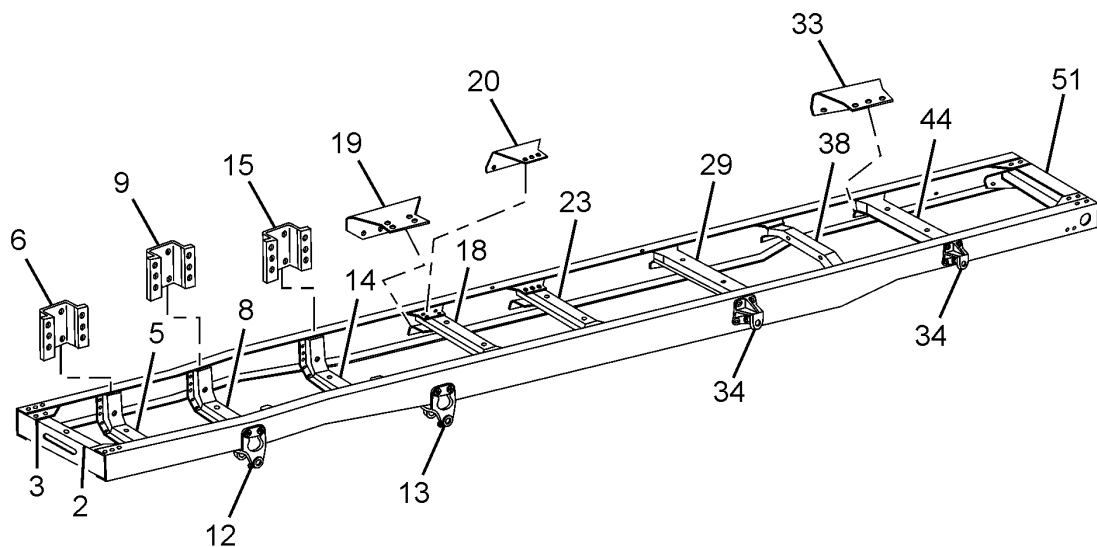
29.29.01		CLUTCH CONTROLS		GROUP 29	
CHASSIS TYPE: ALL					
FIG. NO.	PART NUMBER	DESCRIPTION	QTY	REMARKS	
-		GASKET	1		
-		SEAL	1		
-		AIR SEAL	1		
-		O RING 14 * 2.2	1		
-		MAIN AIR SEAL	1		
-		O RING 12 * 2	1		
-		SEAL	1		
-		O RING 19 * 2.5	1		
-		AIR PROOF GASKET	1		
-		SPRING	1		
-		AIR PROOF GASKET	1		

CHASSIS TYPE: ALL

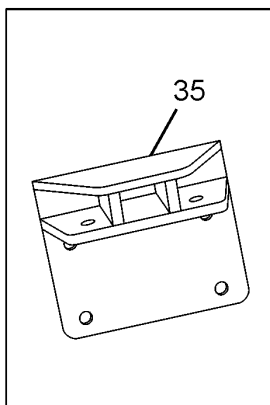
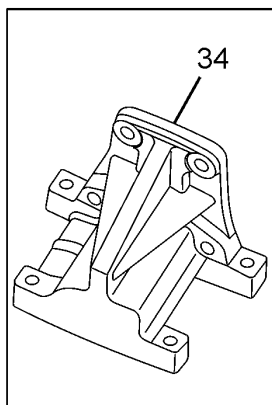
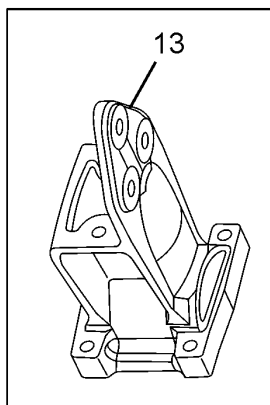
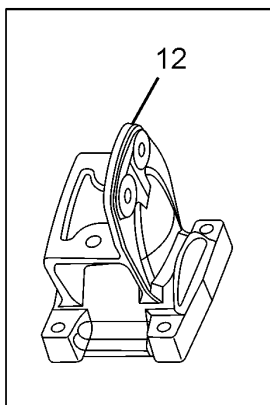


30.30.01		ACCELERATOR CONTROLS		GROUP 30
CHASSIS TYPE: ALL				
FIG. NO.	PART NUMBER	DESCRIPTION	QTY	REMARKS
1	275030100138	ASSY. LEVER ACCELERATOR PEDAL LHD	1	
2	275030107903	ACCELELERATOR SHAFT LHD	1	
7	264130100135	ASSY.PEDAL PLATE WITH COVER	1	
8	264130107701	COVER FOR ACCELERATOR PEDAL	1	
9	131530000001	ASSY STOPPER - LPO1616/1610	1	
10	269630107703	RUBBER CAP (FOR ACCELERATOR STOPPER)	1	
11	275030100140	ASSY LINK ROD	1	
18	206081508201	RETAINING PLATE	1	
19	257681506305	RUBBER PAD	1	
21	275030100143	ASSY.PULL ROD LHD	1	
22	275030100139	ASSY. ACCELERATOR LEVER LHD	1	
23	275030203301	BRACKET (RETURN SPRING HOLDING)	1	
24	275030200105	ASSY. CABLE,ENGINE STOP	1	
25	3229930310	RETURN SPRING	1	

CHASSIS TYPE: ALL

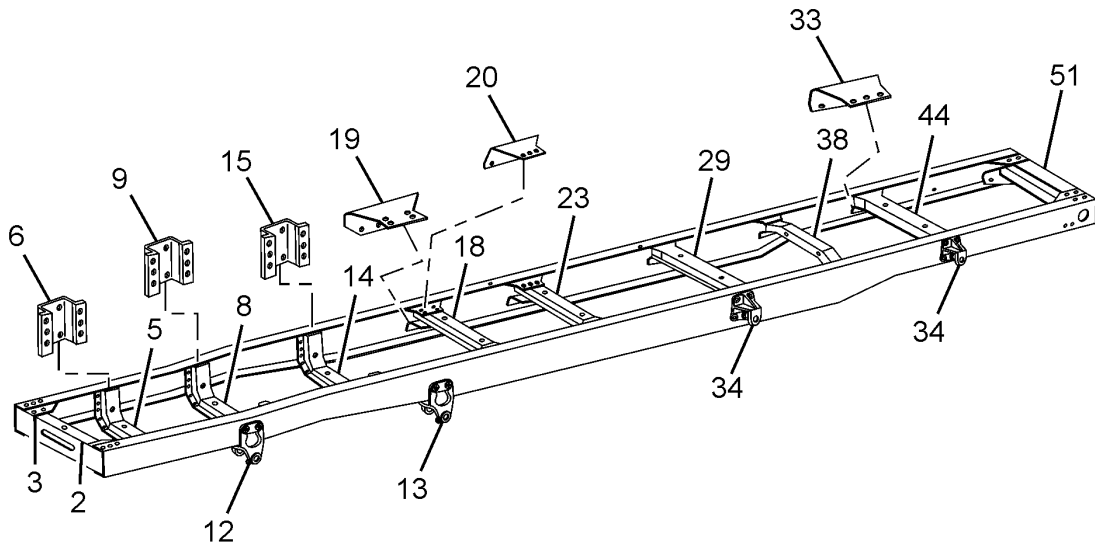


1

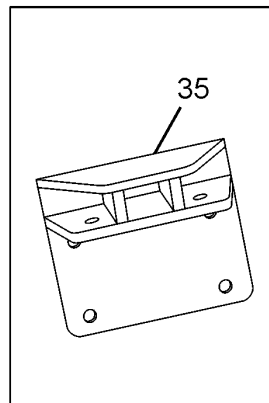
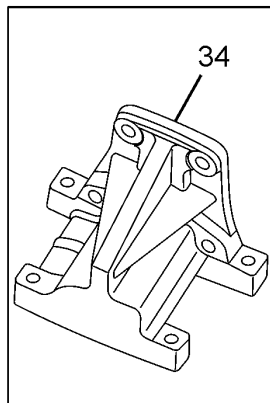
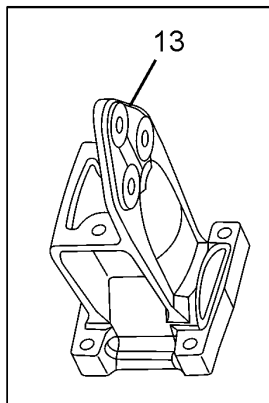
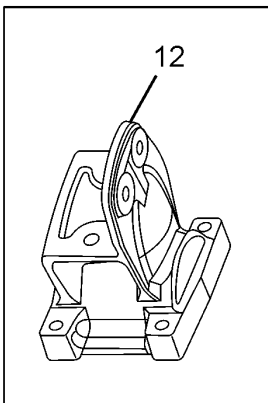


31.31.01		FRAME		GROUP 31	
CHASSIS TYPE: ALL					
FIG. NO.	PART NUMBER	DESCRIPTION	QTY	REMARKS	
1	275031000112	ASSY FRAME- WEVELLER SUSPENSION	1		
2	206031200110	ASSY BUMPER CROSS MEMBER (NO. 1)	1		
3	275031208209	GUSSET-TOP R.H (BUMPER CROSS MEMBER)	2		
3	275031208210	GUSSET-TOP L.H (BUMPER CROSS MEMBER)	2		
5	207331200103	ASSY. ENGINE CROSS MEMBER FRONT (NO. 2)	1		
6	275031200102	BRACKET RH (ENGINE CROSS MEMBER FRONT)	1		
6	275031200103	BRACKET LH (ENGINE CROSS MEMBER FRONT)	1		
-	207331207110	SUPPORT, ENGINE CROSS MEMBER FRONT	4		
8	275031200104	ASSY ENGINE CROSS MEMBER REAR (NO. 3)	1		
9	275024200103	BRACKET RH (ENGINE CROSS MEMBER REAR)	1		
9	275024200104	BRACKET LH (ENGINE CROSS MEMBER REAR)	1		
-	0423220401J	FRONT SPRING BRACKET	2		
12	277832103701	FRONT SPRING BRACKET FRONT - LH	1		
12	277832103702	FRONT SPRING BRACKET FRONT - RH	1		
13	277832103703	FRONT SPRING BRACKET REAR - LH	1		
13	277832103704	FRONT SPRING REAR BRACKET - RH	1		
14	257631200106	ASSY ENGINE CROSS MEMBER (NO. 4)	1		
15	257631207120	SUPPORT ENGINE CROSS MEMBER FRONT	2		
18	257331208216	CROSS MEMBER	2		
19	257331207101	SUPPORT BOTTOM (FOR CROSS MEMBERS	4		
20	0423121652J	SUPPORT TOP (FOR CROSS MEMBER 5)	2		
23	257331208212	CROSS MEMBER (NO. 6)	1		
29	257331208212	CROSS MEMBER (NO. 7) (FRONT OF REAR SPRING)	1		

CHASSIS TYPE: ALL



1



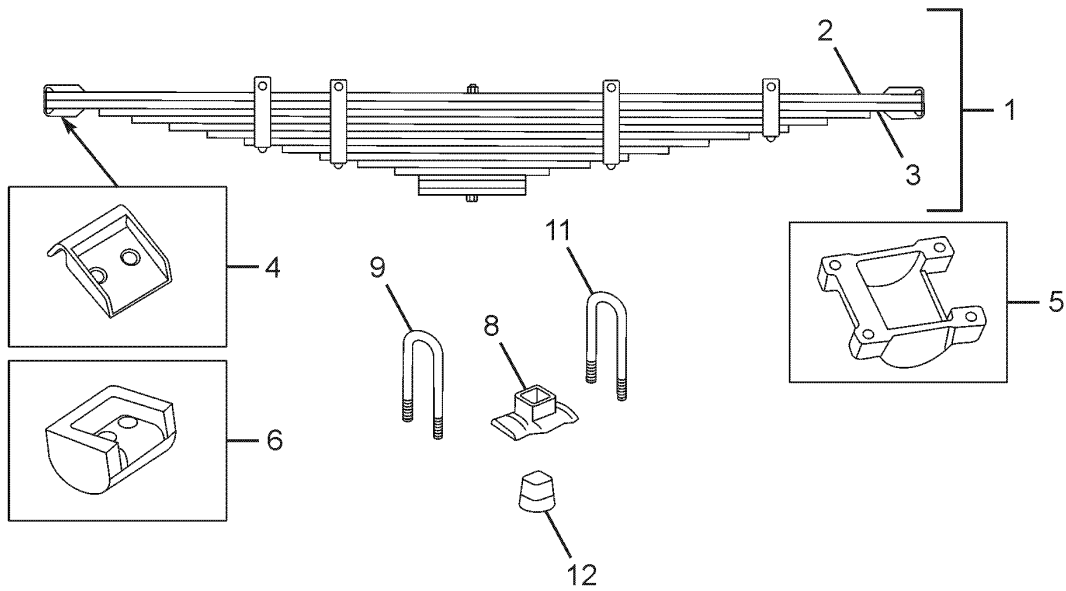
31.31.01		FRAME		GROUP 31	
CHASSIS TYPE: ALL					
FIG. NO.	PART NUMBER	DESCRIPTION	QTY	REMARKS	
34	277832403707	REAR SPRING BKT. LH FRONT & RH REAR	2		
34	277832403708	REAR SPRING BKT. RH FRONT & LH REAR	2		
35	277832500102	ASSY. BUMP STOP BRACKET (REAR SPRING)	2		
38	207331200106	ASSY. CROSS MEMBER (NO. 8) (FOR REAR SHOCK ABSORBER FITMENT)	1		
44	257331208212	CROSS MEMBER (NO. 9) (REAR OF REAR SPRING)	1		
33	257531207122	SUPPORT, CROSS MEMBER	2		
51	257331217110	ASSY. END CROSS MEMBER (NO. 10)	1		

32.32.01

FRONT SPRING (WEWELLER)

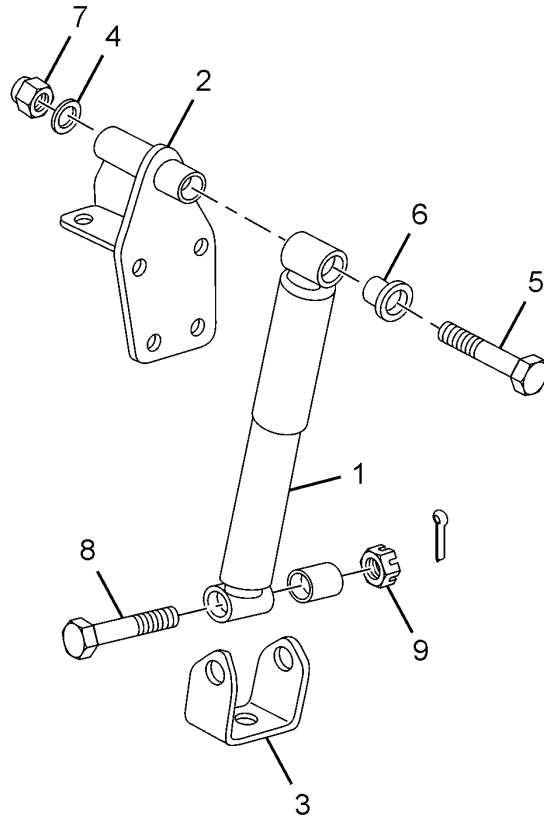
GROUP 32

CHASSIS TYPE: ALL



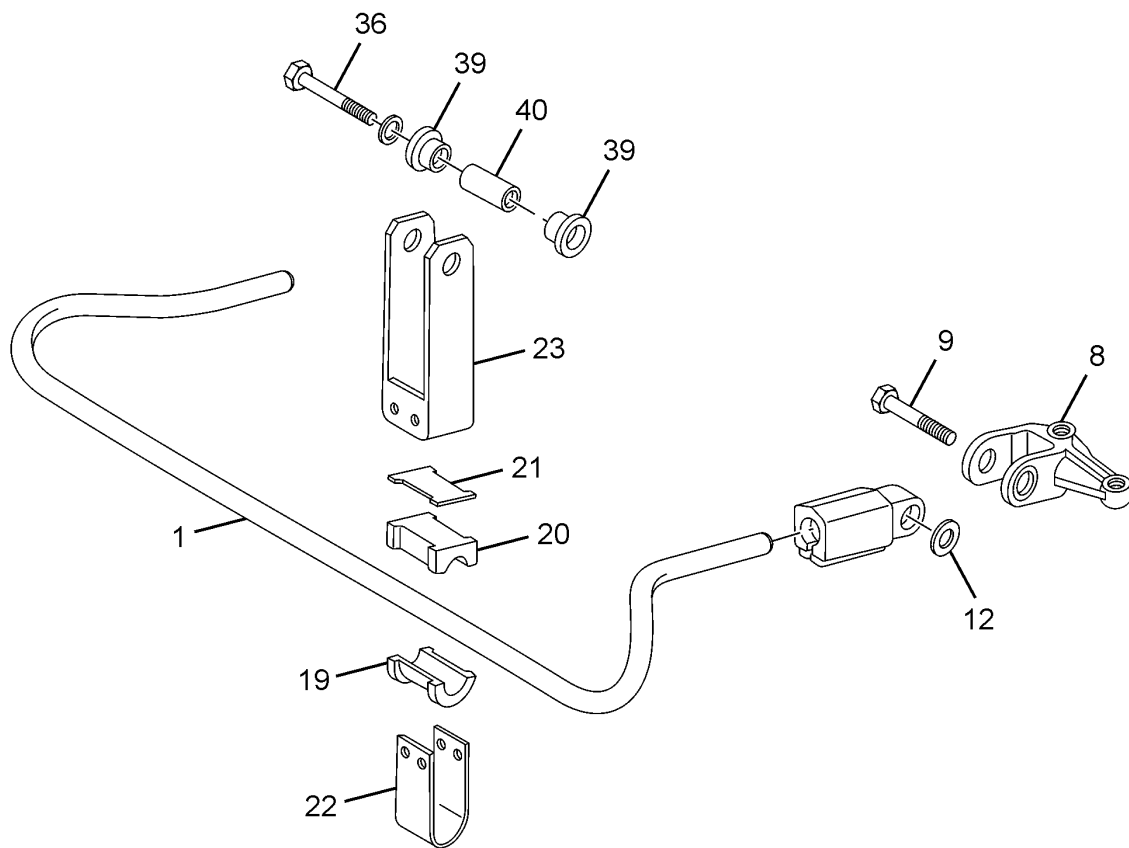
32.32.01		FRONT SPRING (WEWELLER)		GROUP 32
CHASSIS TYPE: ALL				
FIG. NO.	PART NUMBER	DESCRIPTION	QTY	REMARKS
1	277832100108	ASSY. FRONT SPRING (WEWELLER)	2	
2	277832100109	ASSY. FIRST LEAF WITH BRACKET	2	
3	277832100115	ASSY. SECOND LEAF WITH BRACKET	2	
4	277832107137	SPRING COLLAR BRACKET	4	
5	277832103705	FRONT SPRING BRACKET - LOWER CAP	4	
6	277832107701	WEWELLER RUBBER (FRONT SPRING)	8	
8	257632203701	GUIDE PLATE	2	
9	257532204204	U CLAMP FRONT	2	
11	257532204205	U CLAMP FRONT	2	
12	257632207701	RUBBER BUFFER	2	

CHASSIS TYPE: ALL



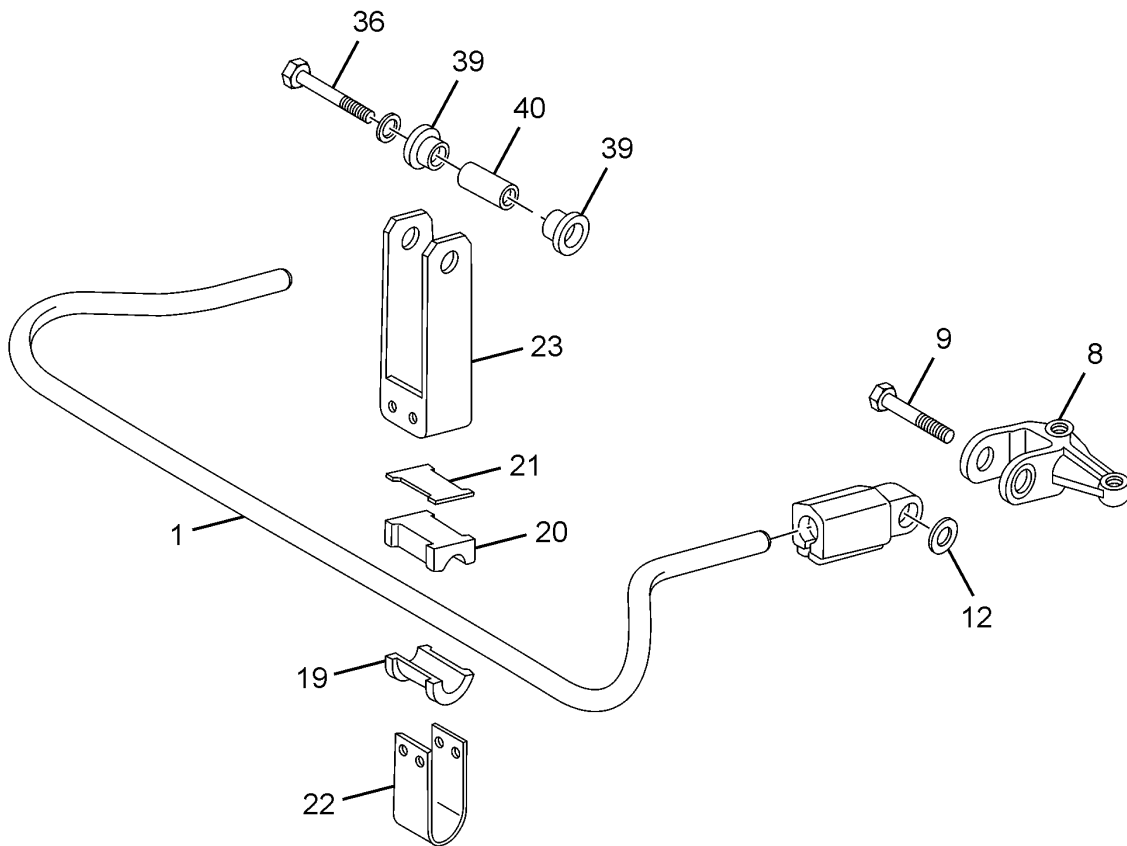
32.32.02		FRONT SHOCK ABSORBER		GROUP 32
CHASSIS TYPE: ALL				
FIG. NO.	PART NUMBER	DESCRIPTION	QTY	REMARKS
1	277832300102	ASSY. FRONT SHOCK ABSORBER (M.S GABRIEL)	2	
2	257732300102	ASSY SHOCK ABSORBER BRACKET LH TOP	1	
2	257732300103	ASSY SHOCK ABSORBER BRACKET RH TOP	1	
3	0423230063J	BRACKET (SHOCK ABSORBER FRONT BOTTOM)	2	
4	3123231576	WASHER (SHOCK ABSORBER FITTING)	4	
5	11063996167	HEX BOLT M16X1.5X125	2	
6	257432308602	BUSH (FRONT SHOCK ABSORBER)	4	
7	12140601606	NYLOCK NUT M16X1.5	2	
8	11063996213	HEX BOLT M14 X 1.5 X 75	2	
9	12140601401	NYLOC NUT M14 X 1.5	2	

CHASSIS TYPE: 389277; 389067



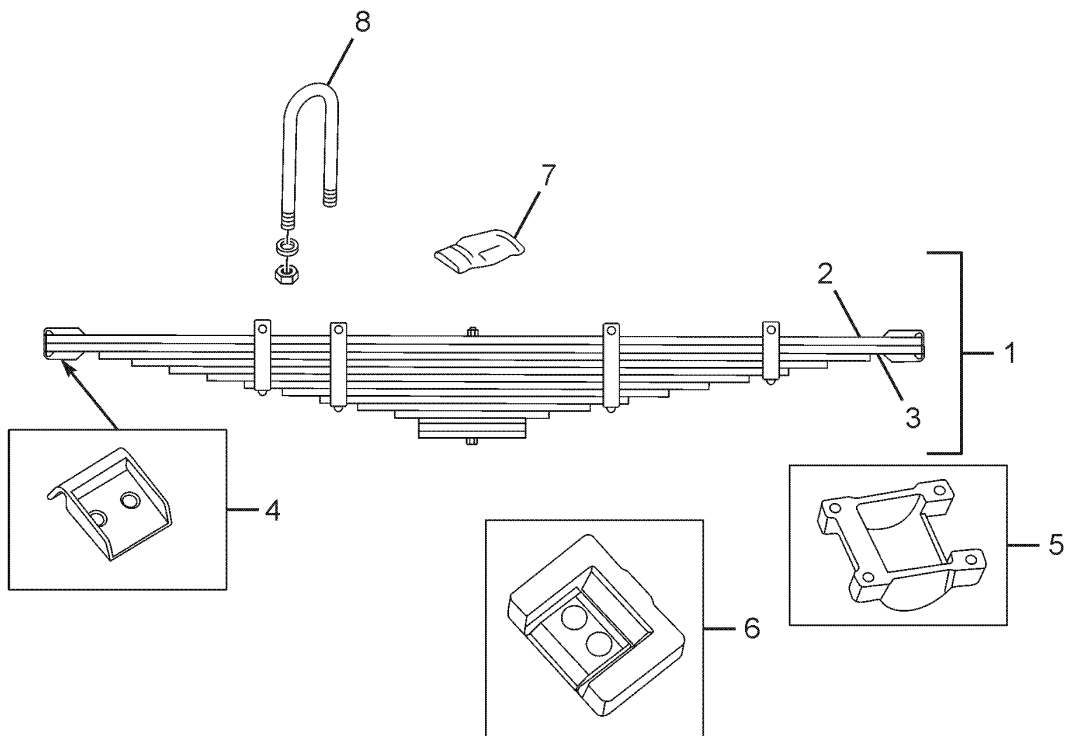
32.32.03A		FRONT ANTI-ROLL BAR		GROUP 32
CHASSIS TYPE: 389277; 389067				
FIG. NO.	PART NUMBER	DESCRIPTION	QTY	REMARKS
1	275032800101	ASSY.ANTI ROLL BAR WITH EYE PIECE COMP	1	
8	206032803305	BRACKET RH (MTG AT FRONT AXLE)	1	
8	206032803306	BRACKET LH (MTG AT FRONT AXLE)	1	
9	264032906702	MOUNTING PIN	2	
12	257632808306	SHIM	AR	FOR SELECTION
12	257632808307	SHIM	AR	FOR SELECTION
12	257632808308	SHIM	AR	FOR SELECTION
19	257132803401	BUSH HALF BOTTOM (SUB ASSY ANTI ROLL BAR TO CONNECTING LINK)	2	
20	257132803402	BUSH HALF TOP (SUB ASSY ANTI ROLL BAR TO CONNECTING LINK)	2	
21	257632808302	SHIM	AR	FOR SELECTION
21	257632808303	SHIM	AR	FOR SELECTION
21	257632808304	SHIM	AR	FOR SELECTION
22	257632807103	CLAMP	2	
23	257332800117	ASSY CONNECTING LINK	2	
39	257632807502	RUBBER BUSH	2	
	257632807501	RUBBER BUSH	2	
40	257632808402	SLEEVE	2	
36	264032906702	MOUNTING PIN	2	

CHASSIS TYPE: 389068



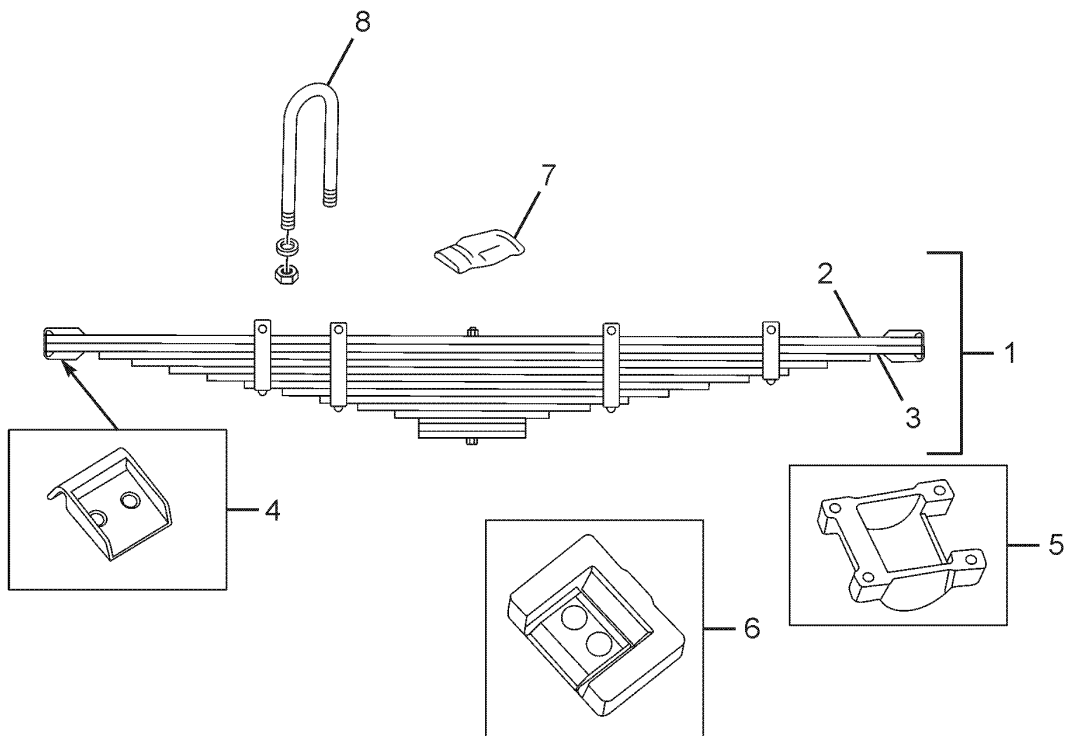
32.32.03B		FRONT ANTI-ROLL BAR		GROUP 32
CHASSIS TYPE: 389068				
FIG. NO.	PART NUMBER	DESCRIPTION	QTY	REMARKS
1	275032800101	ASSY.ANTI ROLL BAR WITH EYE PIECE COMP	1	
8	206032803305	BRACKET RH (MTG AT FRONT AXLE)	1	
8	206032803306	BRACKET LH (MTG AT FRONT AXLE)	1	
9	264032906702	MOUNTING PIN	2	
12	257632808306	SHIM	AR	FOR SELECTION
12	257632808307	SHIM	AR	FOR SELECTION
12	257632808308	SHIM	AR	FOR SELECTION
19	257132803401	BUSH HALF BOTTOM (SUB ASSY ANTI ROLL BAR TO CONNECTING LINK)	2	
20	257132803402	BUSH HALF TOP (SUB ASSY ANTI ROLL BAR TO CONNECTING LINK)	2	
21	257632808302	SHIM	AR	FOR SELECTION
21	257632808303	SHIM	AR	FOR SELECTION
21	257632808304	SHIM	AR	FOR SELECTION
22	257632807103	CLAMP	2	
23	257332800117	ASSY CONNECTING LINK	2	
39	257632807502	RUBBER BUSH	4	
40	257632808402	SLEEVE	2	
36	264032906702	MOUNTING PIN	2	

CHASSIS TYPE: 389277; 389067



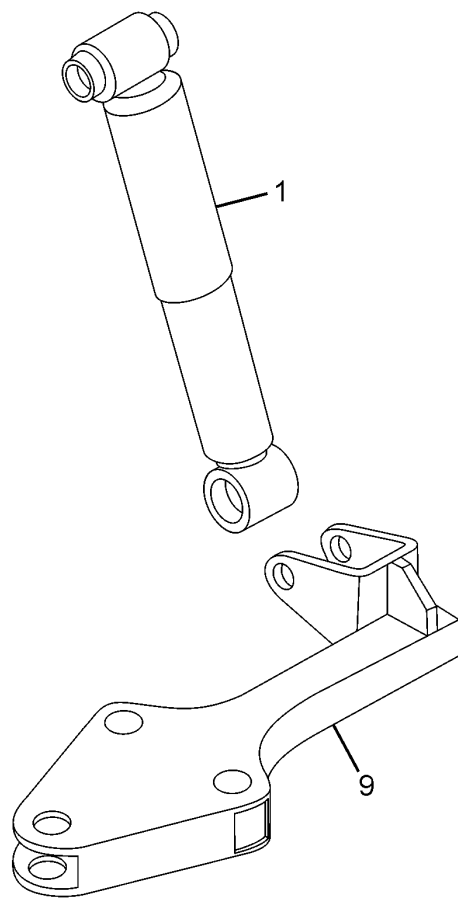
32.32.04A		REAR SPRING		GROUP 32
CHASSIS TYPE: 389277; 389067				
FIG. NO.	PART NUMBER	DESCRIPTION	QTY	REMARKS
1	277832400115	ASSY. REAR SPRING	2	
2	277832400116	ASSY. FIRST LEAF WITH BRACKET	2	
3	277832400117	ASSY. SECOND LEAF WITH BRACKET	2	
4	277832407130	SPRING COLLAR BRACKET	8	
5	277832403703	REAR SPG. LOWER CAP LH FRONT & RH REAR	2	
5	277832403704	REAR SPG. LOWER CAP RH REAR & LH FRONT	2	
6	277832407702	WEWELLER RUBBER	8	
7	257632503701	GUIDE PLATE REAR	2	
8	277832504202	U CLAMP	4	

CHASSIS TYPE: 389068



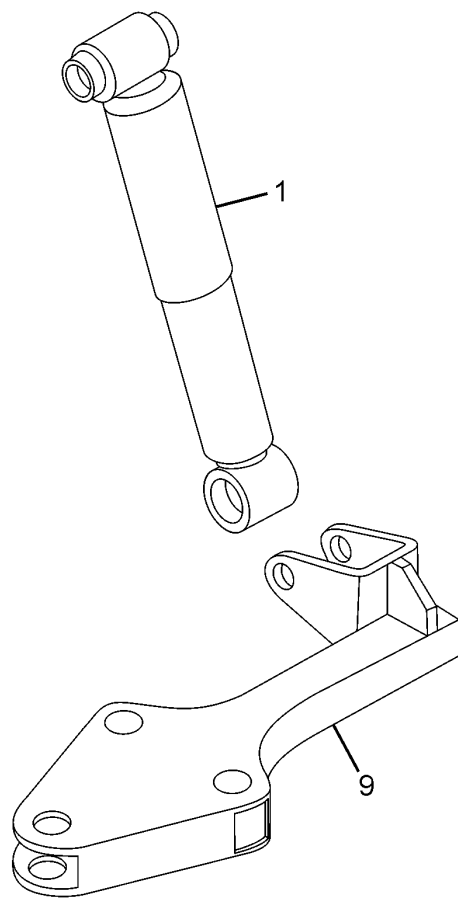
32.32.04B		REAR SPRING		GROUP 32
CHASSIS TYPE: 389068				
FIG. NO.	PART NUMBER	DESCRIPTION	QTY	REMARKS
1	277832400115	ASSY. REAR SPRING	1	
1	277832400128	ASSY REAR SPRING	1	
2	277832400116	ASSY. FIRST LEAF WITH BRACKET	2	
3	277832400117	ASSY. SECOND LEAF WITH BRACKET	2	
4	277832407130	SPRING COLLAR BRACKET	8	
5	277832403703	REAR SPG. LOWER CAP LH FRONT & RH REAR	2	
5	277832403704	REAR SPG. LOWER CAP RH REAR & LH FRONT	2	
6	277832407702	WEWELLER RUBBER	8	
7	257632503701	GUIDE PLATE REAR	2	
8	277832504202	U CLAMP	3	
8	259932504201	U CLAMP	1	

CHASSIS TYPE: 389068; 389067



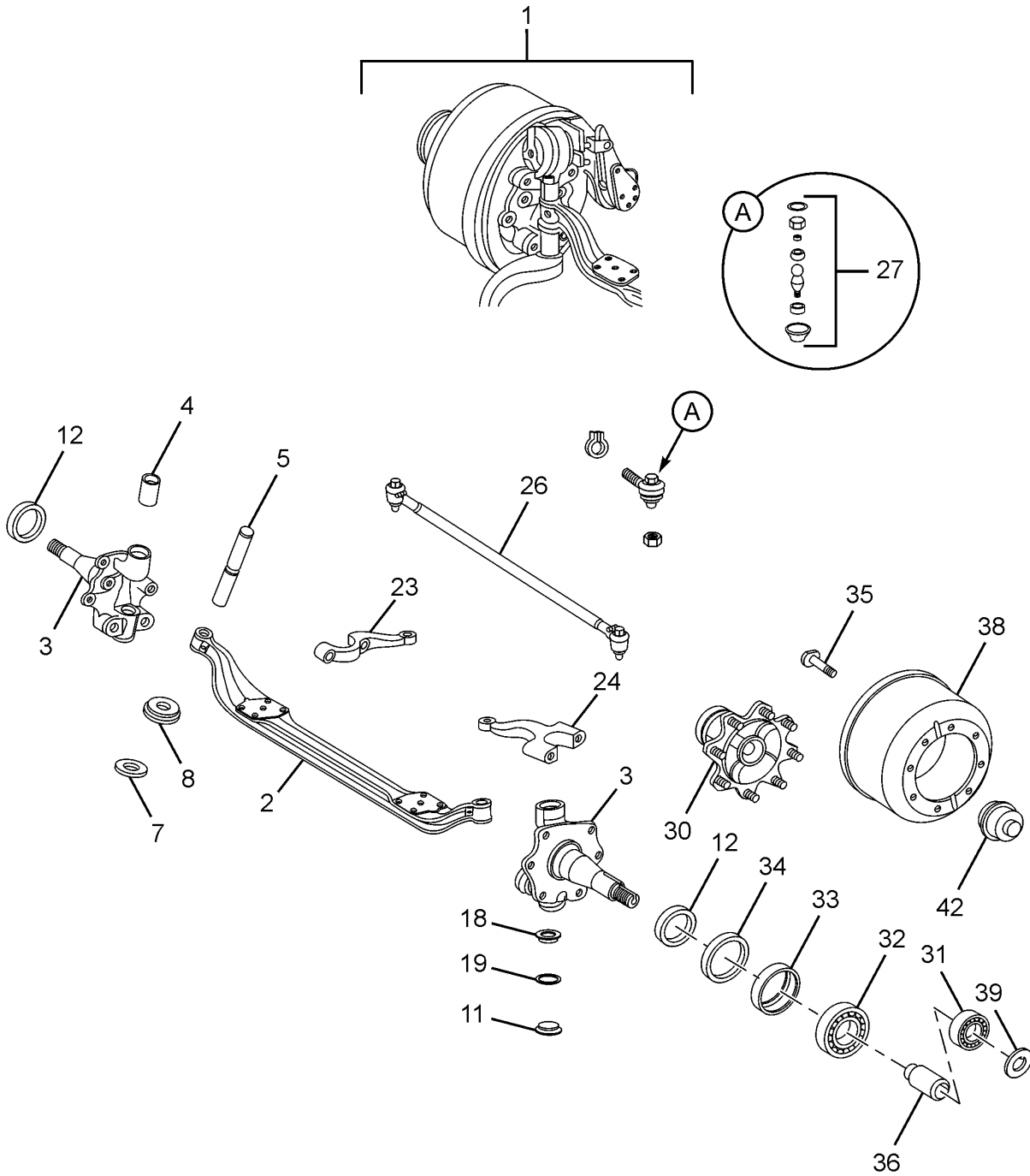
32.32.05A		REAR SHOCK ABSORBER		GROUP 32
CHASSIS TYPE: 389068; 389067				
FIG. NO.	PART NUMBER	DESCRIPTION	QTY	REMARKS
1	261832600111	REAR SHOCK ABSORBER	2	
9	275032600105	ASSY. REAR SHOCK ABSORBER BRACKET RH REAR BOTTOM	1	
9	275032600106	ASSY. REAR SHOCK ABSORBER BRACKET LH REAR BOTTOM	1	
-	11063996191	HEX BOLT M20X1.5X140	2	
-	257332608601	SPACER	4	
-	12140698014	NYLOCK NUT M20X1.5	2	

CHASSIS TYPE: 389277



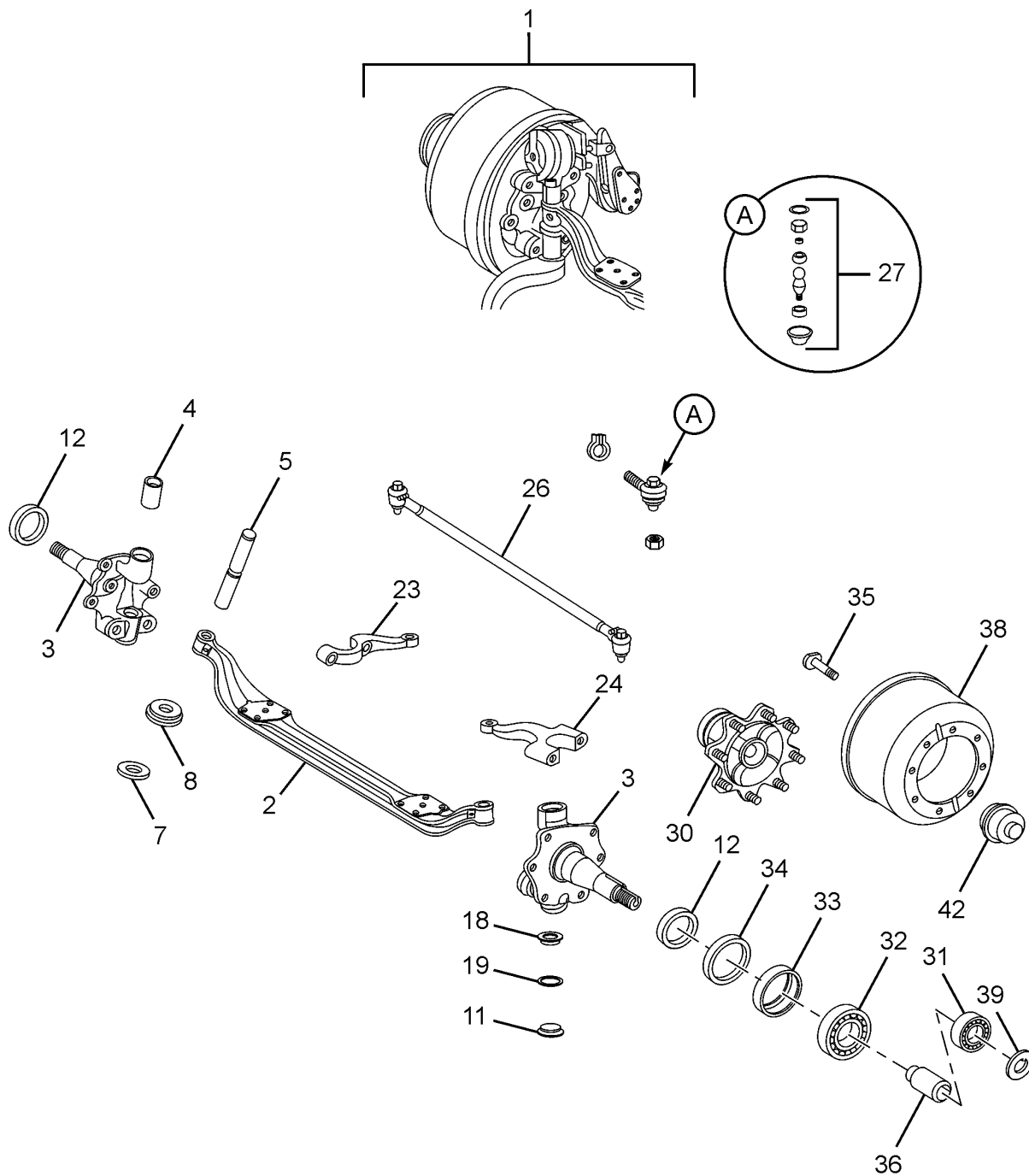
32.32.05B		REAR SHOCK ABSORBER		GROUP 32
CHASSIS TYPE: 389277				
FIG. NO.	PART NUMBER	DESCRIPTION	QTY	REMARKS
1	277832600102	ASSY. REAR SHOCK ABSORBER (M/S GABRIEL)	2	
9	275032600105	ASSY. REAR SHOCK ABSORBER BRACKET RH REAR BOTTOM	1	
9	275032600106	ASSY. REAR SHOCK ABSORBER BRACKET LH REAR BOTTOM	1	
-	11063996191	HEX BOLT M20X1.5X140	2	
-	257332608601	SPACER	4	
-	12140698014	NYLOCK NUT M20X1.5	2	

CHASSIS TYPE: 389068; 389067



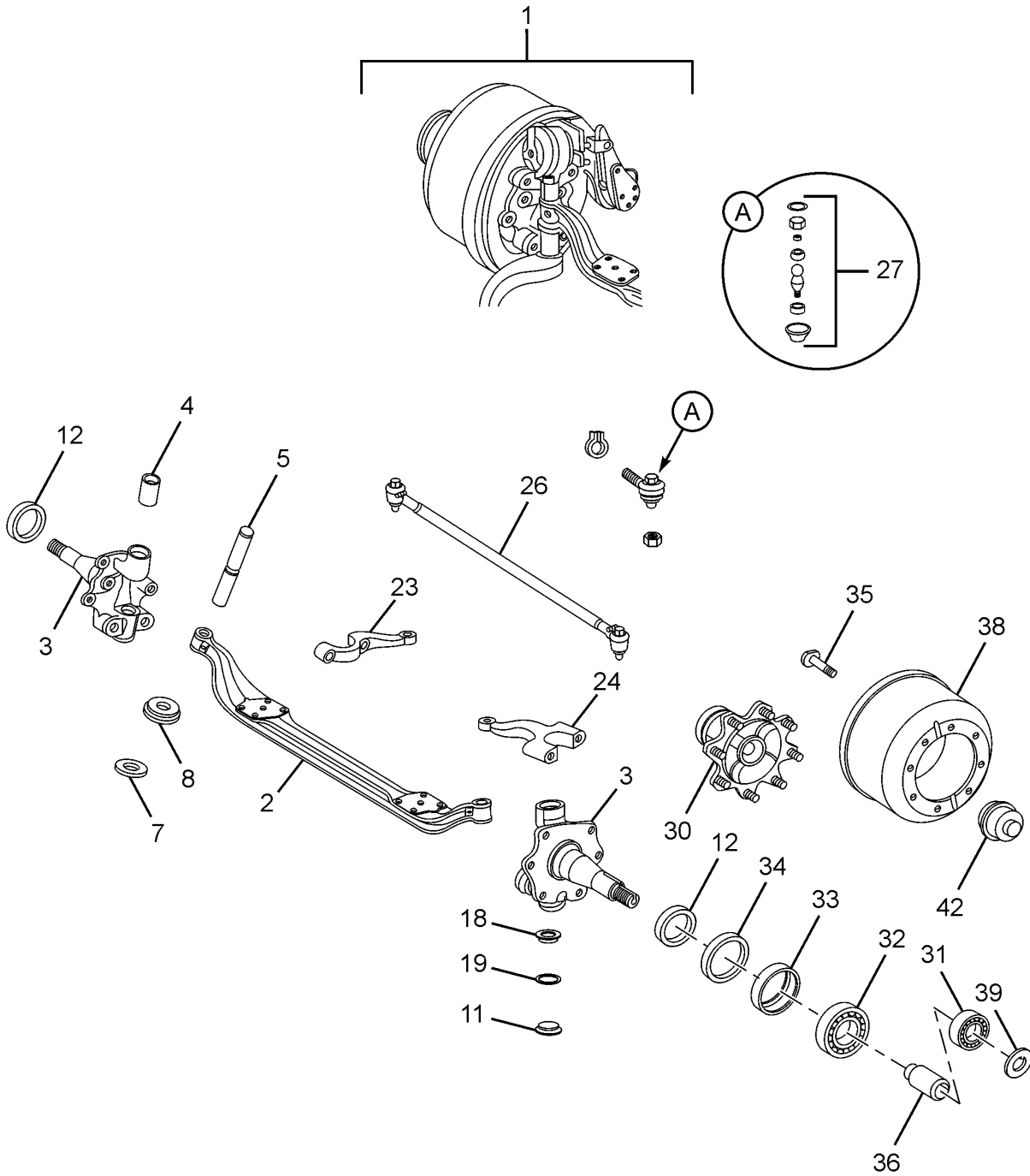
33.33.01A		FRONT AXLE		GROUP 33	
CHASSIS TYPE: 389068; 389067					
FIG. NO.	PART NUMBER	DESCRIPTION	QTY	REMARKS	
1	275033000102	ASSY FRONT AXLE COMPLETE WITH S-CAM BRAKES LHD	1		
2	257533105107	FRONT AXLE BEAM STD	1		
3	257533200125	ASSY STUB AXLE STD	2		
4	257533203401	BUSH (FOR KING PIN)	4		
5	257633206709	KING PIN STD.	2		
-	257633206707	COTTER PIN	2		
7	257533209203	THRUST WASHER UPPER STD	1		
7	257533209207	THRUST WASHER LOWER STD	1		
8	257633203109	TAPERED ROLLER THRUST BEARING STD	1		
11	257533206301	DUST CAP (STUB AXLE)	2		
12	257633208601	SPACER	1		
12	257633208602	SPACER, RH	1		
-	257633209212	THRUST WASHER	AR	FOR SELECTION	
-	257633209213	THRUST WASHER	AR	FOR SELECTION	
-	257633209214	THRUST WASHER	AR	FOR SELECTION	
-	257633209215	THRUST WASHER	AR	FOR SELECTION	
-	257633209216	THRUST WASHER	AR	FOR SELECTION	
-	257633209217	THRUST WASHER	AR	FOR SELECTION	
-	257633209218	THRUST WASHER	AR	FOR SELECTION	
-	257633209219	THRUST WASHER	AR	FOR SELECTION	
-	257633209220	THRUST WASHER	AR	FOR SELECTION	
-	257633209221	THRUST WASHER	AR	FOR SELECTION	
-	257633209222	THRUST WASHER	AR	FOR SELECTION	
18	257633208202	SEALING CAP (STUB AXLE)	4		
19	257633207702	GASKET RING	4		
24	257633805108	STEERING ARM TOP LHD	1		
23	257633805104	STEERING ARM LH	1		
23	257633805106	STEERING ARM RH	1		
26	3273300403	ASSY. TIE ROD	1		
27	0003382629	ASSY. BALL JOINT LH	1		
27	0003383429	ASSY. BALL JOINT RH	1		
30	263133400108	WHEEL HUB (FRONT)	2		
31	257633403103	TAPER ROLLER BEARING, OUTER	2		
32	257633403101	TAPER ROLLER BEARING, INNER	2		
33	257633408601	SPACER	2		
34	257633407801	SEALING RING	2		
35	263140106701	HUB BOLT (M22)	20		
36	257333408602	SPACER TUBE	2		
-	257433408304	SHIM 1 THK	AR	FOR SELECTION	

CHASSIS TYPE: 389068; 389067



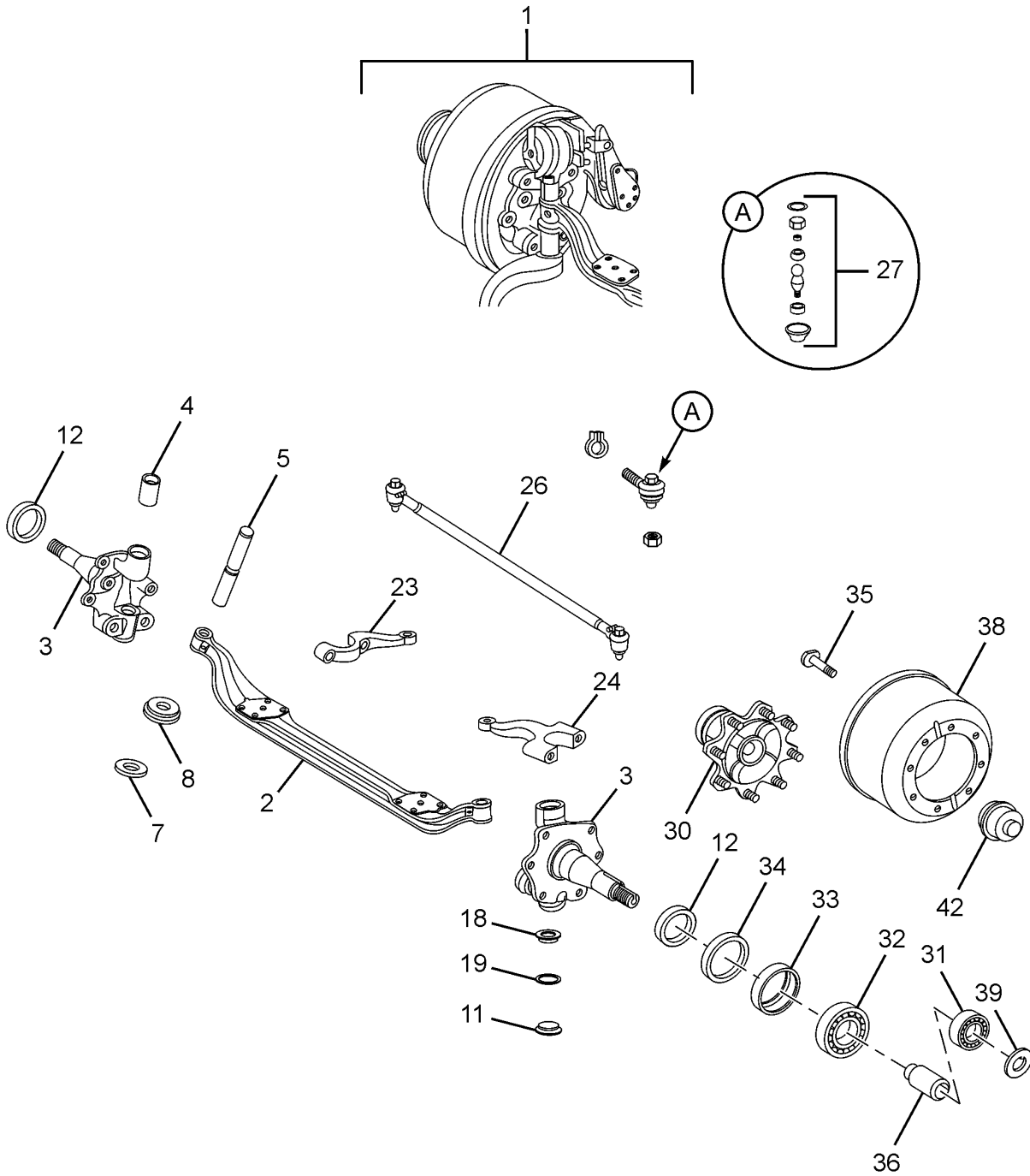
33.33.01A		FRONT AXLE		GROUP 33
CHASSIS TYPE: 389068; 389067				
FIG. NO.	PART NUMBER	DESCRIPTION	QTY	REMARKS
-	257433408305	SHIM 0.5 THK	AR	FOR SELECTION
-	257433408306	SHIM 0.3 THK	AR	FOR SELECTION
-	257433408307	SHIM 0.1 THK	AR	FOR SELECTION
38	263142103701	BRAKE DRUM	2	
39	257533409201	THRUST WASHER	2	
42	257633403702	FRONT HUB COVER	2	
	257433406501	CASTLE NUT	2	
-	12102299068	THIN CASTLE NUT	2	
-	0003300003J	TIE ROD REPAIR KIT CONSISTING OF :	1	
-		LOWER BALL CUP	2	
-		UPPER BALL CUP	2	
-		PRESSURE SPRING	2	
-		LOCKING RING	2	
-		SPHERICAL PIN	2	
-		CASTLE NUT	2	
-		SEAL CAP	2	
-		THRUST WASHER (BRASS)	2	
-		THRUST WASHER (STEEL)	2	
		KING PIN REPAIR KITS		
	885433161612	KING PIN REPAIR KIT WITH MINOR KIT & BUSH STD (38.25MM) CONSISTING OF :	1	
-		KING PIN STD	2	
-		KING PIN BUSH	4	
-		MINOR KIT	1	
	885433011612	KING PIN REPAIR KIT WITH MINOR KIT & BUSH O/S I (38.35MM) CONSISTING OF :	1	
-		KING PIN O/S I	2	
-		KING PIN BUSH	4	
-		MINOR KIT	1	
	885433021612	KING PIN REPAIR KIT WITH MINOR KIT & BUSH O/S II (38.45MM) CONSISTING OF :	1	
-		KING PIN O/S II	2	
-		KING PIN BUSH	4	
-		MINOR KIT	1	
	885433031612	KING PIN REPAIR KIT WITH MINOR KIT & BUSH O/S III (38.55MM) CONSISTING OF :	1	
-		KING PIN O/S III	2	
-		KING PIN BUSH	4	
-		MINOR KIT	1	
	885433041612	KING PIN REPAIR KIT WITH MINOR KIT & W/OBUSH STD (38.25MM) CONSISTING OF :	1	

CHASSIS TYPE: 389068; 389067



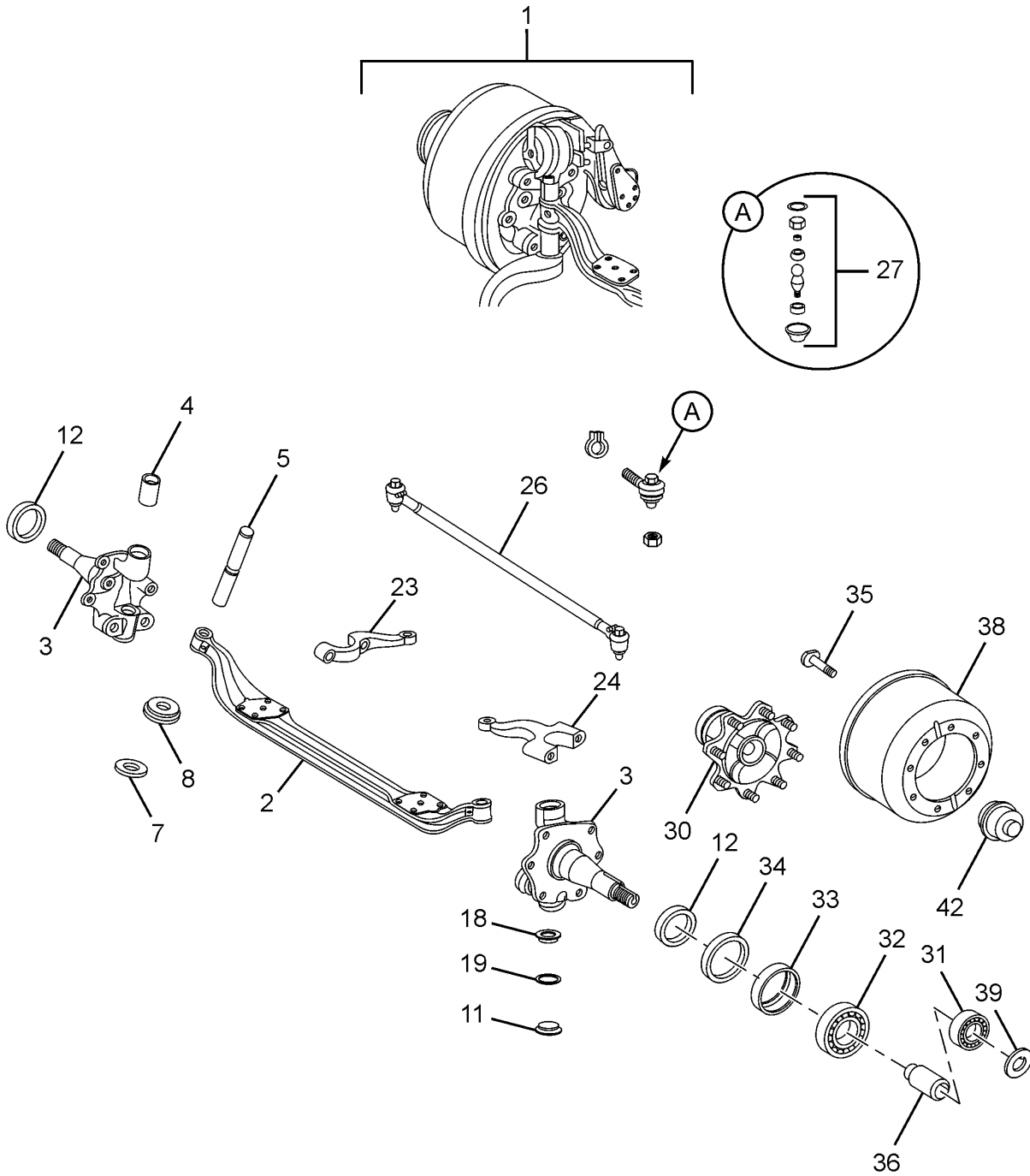
33.33.01A		FRONT AXLE		GROUP 33
CHASSIS TYPE: 389068; 389067				
FIG. NO.	PART NUMBER	DESCRIPTION	QTY	REMARKS
-		KING PIN STD	1	
-		MINOR KIT	1	
	885433051612	KING PIN REPAIR KIT WITH MINOR KIT & W/OBUSH O/S I (38.35MM) CONSISTING OF :	1	
-		KING PIN O/S I	1	
-		MINOR KIT	1	
	885433061612	KING PIN REPAIR KIT WITH MINOR KIT & W/OBUSH O/S II (38.45MM) CONSISTING OF :	1	
-		KING PIN O/S II	1	
-		MINOR KIT	1	
	885433071612	KING PIN REPAIR KIT WITH MINOR KIT & W/OBUSH O/S III (38.55MM) CONSISTING OF :	1	
-		KING PIN O/S III	1	
-		MINOR KIT	1	
	885433081612	MINOR KIT CONSISTING OF :	1	
-		COTTER BOLT	2	
-		O' RING	4	
-		CIRCLIP B-50	4	
-		SEALING CAP	4	
-		HEX NUT M 8	2	
-		SPRING WASHER	2	
-		GREASE NIPPLE	4	

CHASSIS TYPE: 389277



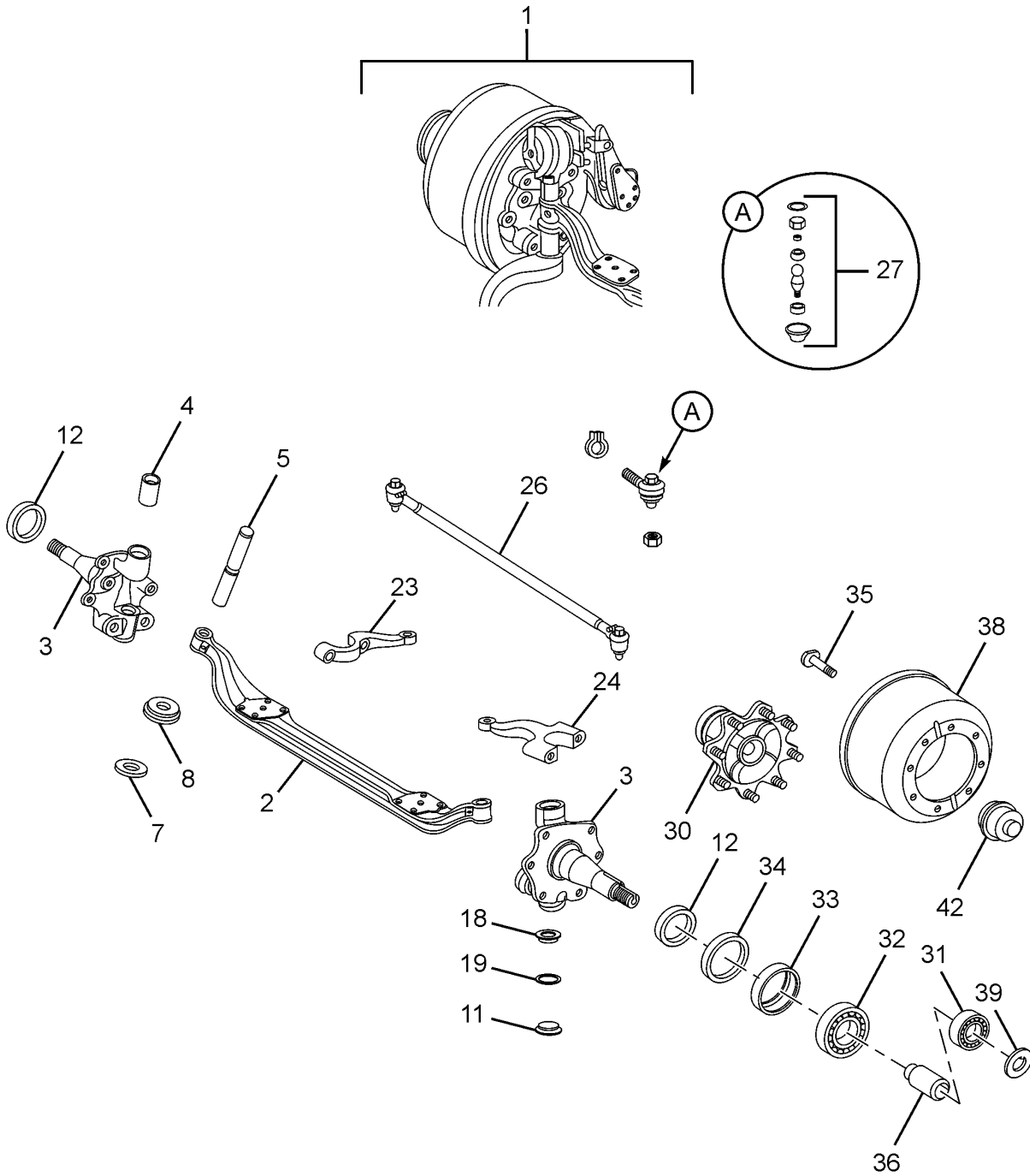
33.33.01B		FRONT AXLE		GROUP 33	
CHASSIS TYPE: 389277					
FIG. NO.	PART NUMBER	DESCRIPTION	QTY	REMARKS	
1	275033000103	ASSY.FRONT AXLE(LHD)W-BRAKES COMP(WABCO)	1		
2	257533105107	FRONT AXLE BEAM STD	1		
3	263233200105	ASSY.STUB AXLE(ABS)-RH,NORMAL	1		
3	263233200107	ASSY.STUB AXLE(ABS)-LH,NORMAL	1		
4	257533203401	BUSH (FOR KING PIN)	4		
5	257633206709	KING PIN STD.	2		
-	257633206707	COTTER PIN	2		
7	257533209203	THRUST WASHER UPPER STD	1		
7	257533209207	THRUST WASHER LOWER STD	1		
8	257633203109	TAPERED ROLLER THRUST BEARING STD	1		
11	257533206301	DUST CAP (STUB AXLE)	2		
12	257633208601	SPACER	1		
12	257633208602	SPACER, RH	1		
-	257633209212	THRUST WASHER	AR	FOR SELECTION	
-	257633209213	THRUST WASHER	AR	FOR SELECTION	
-	257633209214	THRUST WASHER	AR	FOR SELECTION	
-	257633209215	THRUST WASHER	AR	FOR SELECTION	
-	257633209216	THRUST WASHER	AR	FOR SELECTION	
-	257633209217	THRUST WASHER	AR	FOR SELECTION	
-	257633209218	THRUST WASHER	AR	FOR SELECTION	
-	257633209219	THRUST WASHER	AR	FOR SELECTION	
-	257633209220	THRUST WASHER	AR	FOR SELECTION	
-	257633209221	THRUST WASHER	AR	FOR SELECTION	
-	257633209222	THRUST WASHER	AR	FOR SELECTION	
18	257633208202	SEALING CAP (STUB AXLE)	4		
19	257633207702	GASKET RING	4		
24	257633805108	STEERING ARM TOP LHD	1		
23	257633805104	STEERING ARM LH	1		
23	257633805106	STEERING ARM RH	1		
26	3273300403	ASSY. TIE ROD	1		
27	0003382629	ASSY. BALL JOINT LH	1		
27	0003383429	ASSY. BALL JOINT RH	1		
30	263133400108	WHEEL HUB (FRONT)	2		
30	283933400105	ASSY.WHEEL HUB WITH POLE WHEEL.	2	RECOMMENDED TO ORDER WT POLE WHEEL	
30	283933405101	WHEEL HUB FRONT	2		
31	257633403103	TAPER ROLLER BEARING, OUTER	2		
32	257633403101	TAPER ROLLER BEARING, INNER	2		
33	257633408601	SPACER	2		

CHASSIS TYPE: 389277



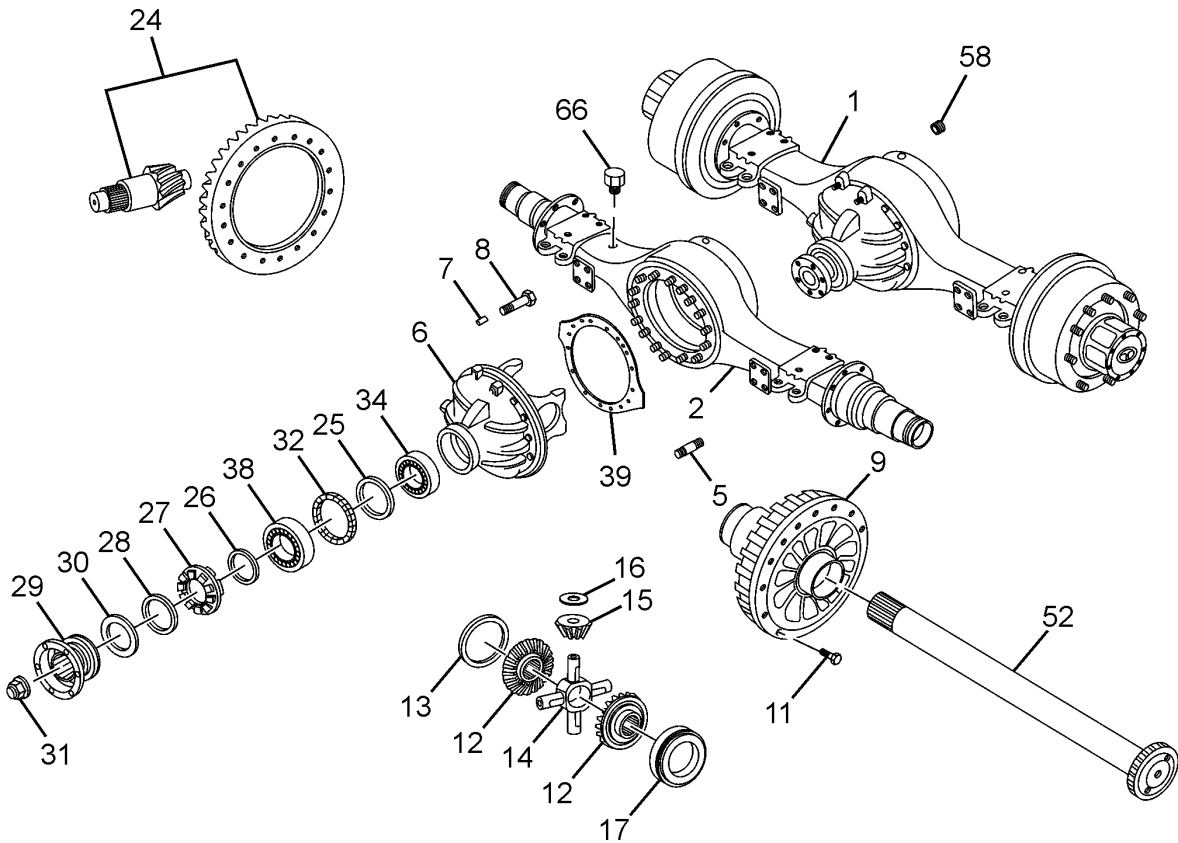
33.33.01B		FRONT AXLE		GROUP 33
CHASSIS TYPE: 389277				
FIG. NO.	PART NUMBER	DESCRIPTION	QTY	REMARKS
34	257633407801	SEALING RING	2	
35	263140106701	HUB BOLT (M22)	20	
36	257333408602	SPACER TUBE	2	
-	257433408304	SHIM 1 THK	AR	FOR SELECTION
-	257433408305	SHIM 0.5 THK	AR	FOR SELECTION
-	257433408306	SHIM 0.3 THK	AR	FOR SELECTION
-	257433408307	SHIM 0.1 THK	AR	FOR SELECTION
38	263142103701	BRAKE DRUM	2	
39	257533409201	THRUST WASHER	2	
42	257633403702	FRONT HUB COVER	2	
42	257433403701	FRONT HUB COVER	2	
	257433406501	CASTLE NUT	2	
-	12102299068	THIN CASTLE NUT	2	
		ABS PARTS		
	280842103401	SENSOR SLEEVE - FRONT	2	
	284142109901	POLE WHEEL FRONT (MACHINED)	2	
	263242103402	SENSOR BUSH(WABCO)-FOR ABS	2	
	280854209908	SENSOR WHEEL SPEED M/s.WABCO	2	
-	0003300003J	TIE ROD REPAIR KIT CONSISTING OF :	1	
-		LOWER BALL CUP	2	
-		UPPER BALL CUP	2	
-		PRESSURE SPRING	2	
-		LOCKING RING	2	
-		SPHERICAL PIN	2	
-		CASTLE NUT	2	
-		SEAL CAP	2	
-		THRUST WASHER (BRASS)	2	
-		THRUST WASHER (STEEL)	2	
-		KING PIN REPAIR KITS		
	885433161612	KING PIN REPAIR KIT WITH MINOR KIT & BUSH STD (38.25MM) CONSISTING OF :	1	
-		KING PIN STD	2	
-		KING PIN BUSH	4	
-		MINOR KIT	1	
	885433011612	KING PIN REPAIR KIT WITH MINOR KIT & BUSH O/S I (38.35MM) CONSISTING OF :	1	
-		KING PIN O/S I	2	
-		KING PIN BUSH	4	
-		MINOR KIT	1	
	885433021612	KING PIN REPAIR KIT WITH MINOR KIT & BUSH O/S II (38.45MM) CONSISTING OF :	1	

CHASSIS TYPE: 389277



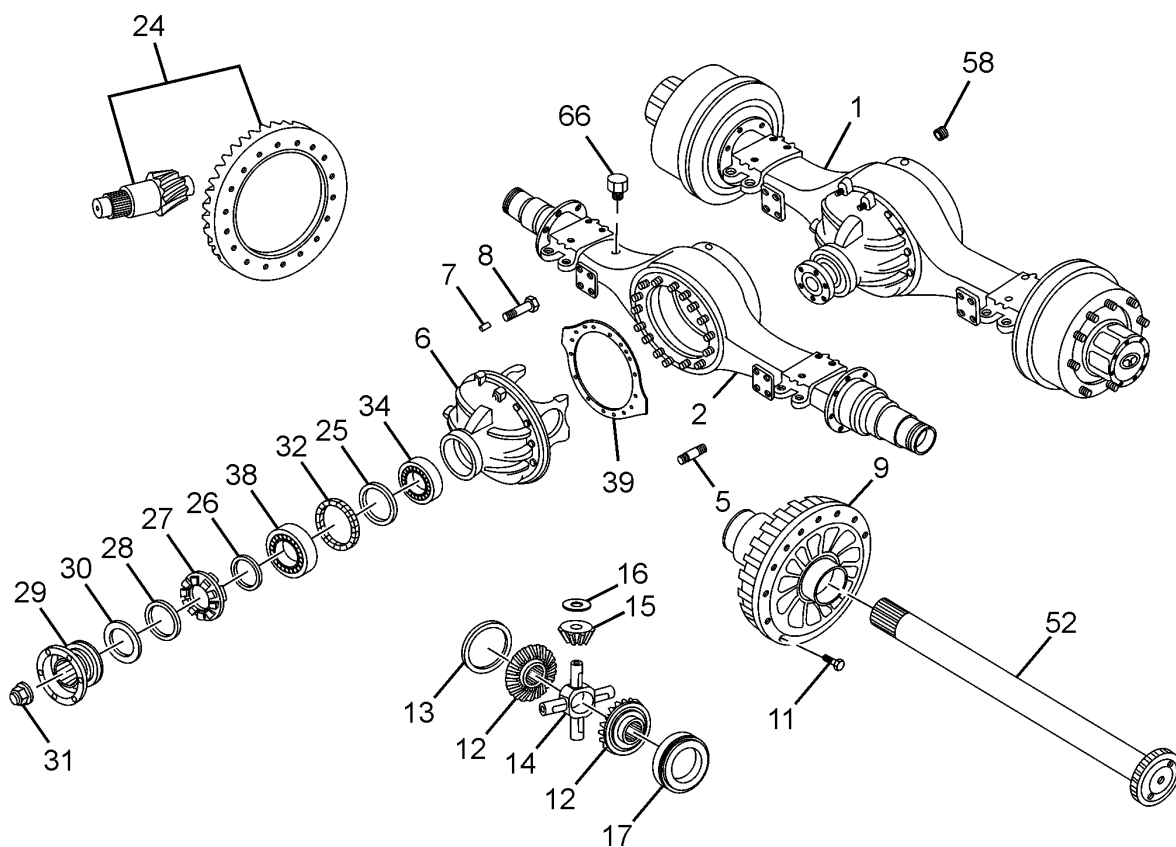
33.33.01B		FRONT AXLE		GROUP 33
CHASSIS TYPE: 389277				
FIG. NO.	PART NUMBER	DESCRIPTION	QTY	REMARKS
-		KING PIN O/S II	2	
-		KING PIN BUSH	4	
-		MINOR KIT	1	
	885433031612	KING PIN REPAIR KIT WITH MINOR KIT & BUSH O/S III (38.55MM) CONSISTING OF :	1	
-		KING PIN O/S III	2	
-		KING PIN BUSH	4	
-		MINOR KIT	1	
	885433041612	KING PIN REPAIR KIT WITH MINOR KIT & W/OBUSH STD (38.25MM) CONSISTING OF :	1	
-		KING PIN STD	1	
-		MINOR KIT	1	
	885433051612	KING PIN REPAIR KIT WITH MINOR KIT & W/OBUSH O/S I (38.35MM) CONSISTING OF :	1	
-		KING PIN O/S I	1	
-		MINOR KIT	1	
	885433061612	KING PIN REPAIR KIT WITH MINOR KIT & W/OBUSH O/S II (38.45MM) CONSISTING OF :	1	
-		KING PIN O/S II	1	
-		MINOR KIT	1	
	885433071612	KING PIN REPAIR KIT WITH MINOR KIT & W/OBUSH O/S III (38.55MM) CONSISTING OF :	1	
-		KING PIN O/S III	1	
-		MINOR KIT	1	
	885433081612	MINOR KIT CONSISTING OF :	1	
-		COTTER BOLT	2	
-		O' RING	4	
-		CIRCLIP B-50	4	
-		SEALING CAP	4	
-		HEX NUT M 8	2	
-		SPRING WASHER`	2	
-		GREASE NIPPLE	4	

CHASSIS TYPE: 389068; 389067



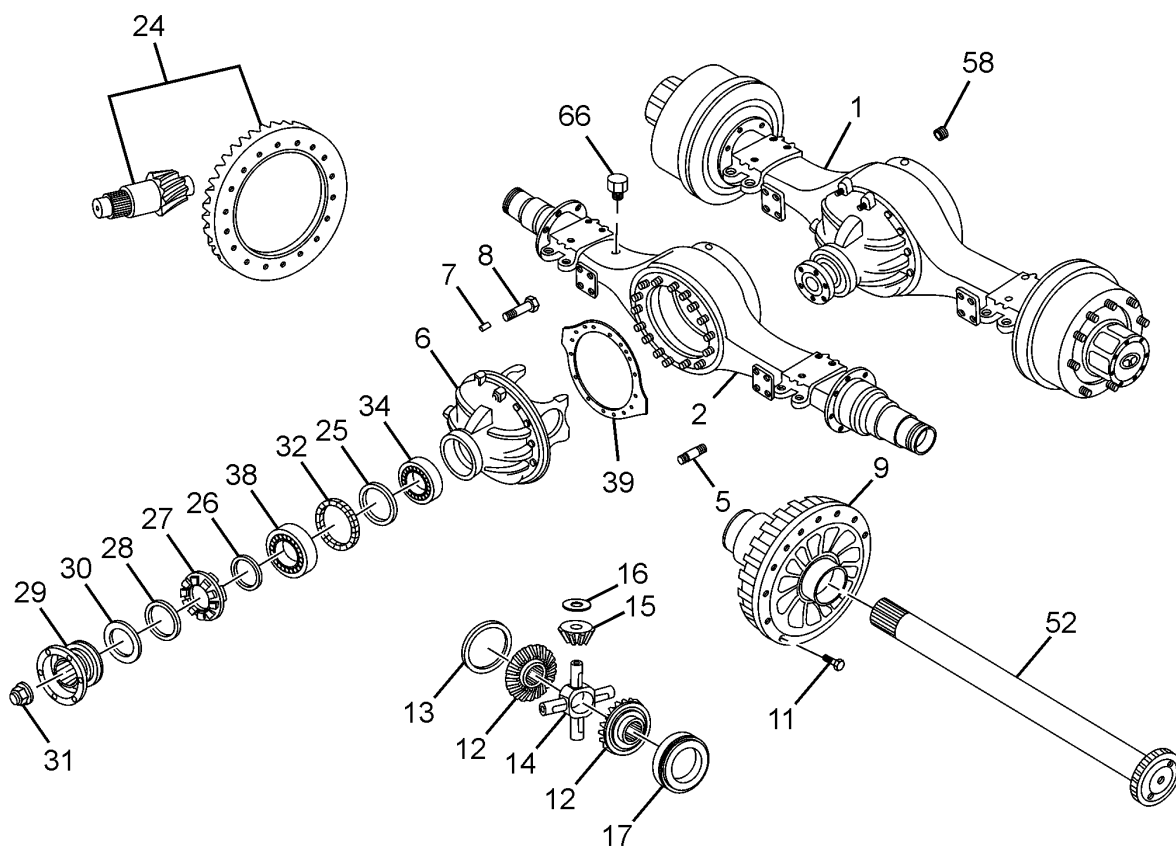
35.35.01A		REAR AXLE (RA 108 RR)		GROUP 35
CHASSIS TYPE: 389068; 389067				
FIG. NO.	PART NUMBER	DESCRIPTION	QTY	REMARKS
1	273235000213	ASSY. REAR AXLE RA 109 RR (41/7)	1	
2	273235100160	ASSY. REAR AXLE BEAM WITH PR. RINGS & STUDS	1	
-	266835108601	PRESSURE RING	2	
5	11632609401	STUD BM 12X40	12	
-	11632609649	STUD BM 12X80	2	
6	273235110107	ASSY. CARRIER HOUSING	1	
7	13050909209	CYLINDRICAL PIN 10 H 8X20	4	
8	273235113201	BOLT (PLUMMER BLOCK COVER)	4	
9	273235300183	DIFFERENTIAL HOUSING	1	
-	273235308002	HEX. SCREW (DIFF. CASE TO COVER)	16	
11	273235308003	HEX. BOLT SERRATED (CROWN WHEEL)	18	
12	273235305442	GEAR, REAR AXLE SHAFT	2	
13	273235309210	THRUST WASHER (GEAR) 1.95 MM THICK	2	FOR SELECTION
13	273235309211	THRUST WASHER (GEAR) 2.00 MM THICK	2	FOR SELECTION
13	273235309212	THRUST WASHER (GEAR) 2.05 MM THICK	2	FOR SELECTION
13	273235309213	THRUST WASHER (GEAR) 2.10 MM THICK	2	FOR SELECTION
13	273235309214	THRUST WASHER (GEAR) 2.15 MM THICK	2	FOR SELECTION
13	273235309215	THRUST WASHER (GEAR) 2.20 MM THICK	2	FOR SELECTION
13	273235309216	THRUST WASHER (GEAR) 2.25 MM THICK	2	FOR SELECTION
14	273235305113	SPIDER (DIFFERENTIAL) (LOCKABLE)	1	
15	273235305443	BEVEL PINION	4	
16	273235309217	SPHERICAL WASHER (LOCKABLE)	4	
17	266935303101	TAPER ROLLER BEARING (DIFF.)	2	
-	273235300117	ASSY ADJUSTING PIN	1	
24	273235300106	CROWN WHEEL AND PINION (41/7)	1	OPTIONAL
24	273235300131	CROWN WHEEL AND PINION (41/7)	1	OPTIONAL
25	257635308601	SPACER (BETWEEN PINION BRG.)	1	
26	273235308601	SPACER (BETWEEN PINION BRG. & FLANGE)	1	
	273235308202	OIL SLINGER	1	
27	257635306503	THREADED RING	1	
28	257335307705	OIL SEAL DOUBLE LIP	1	

CHASSIS TYPE: 389068; 389067



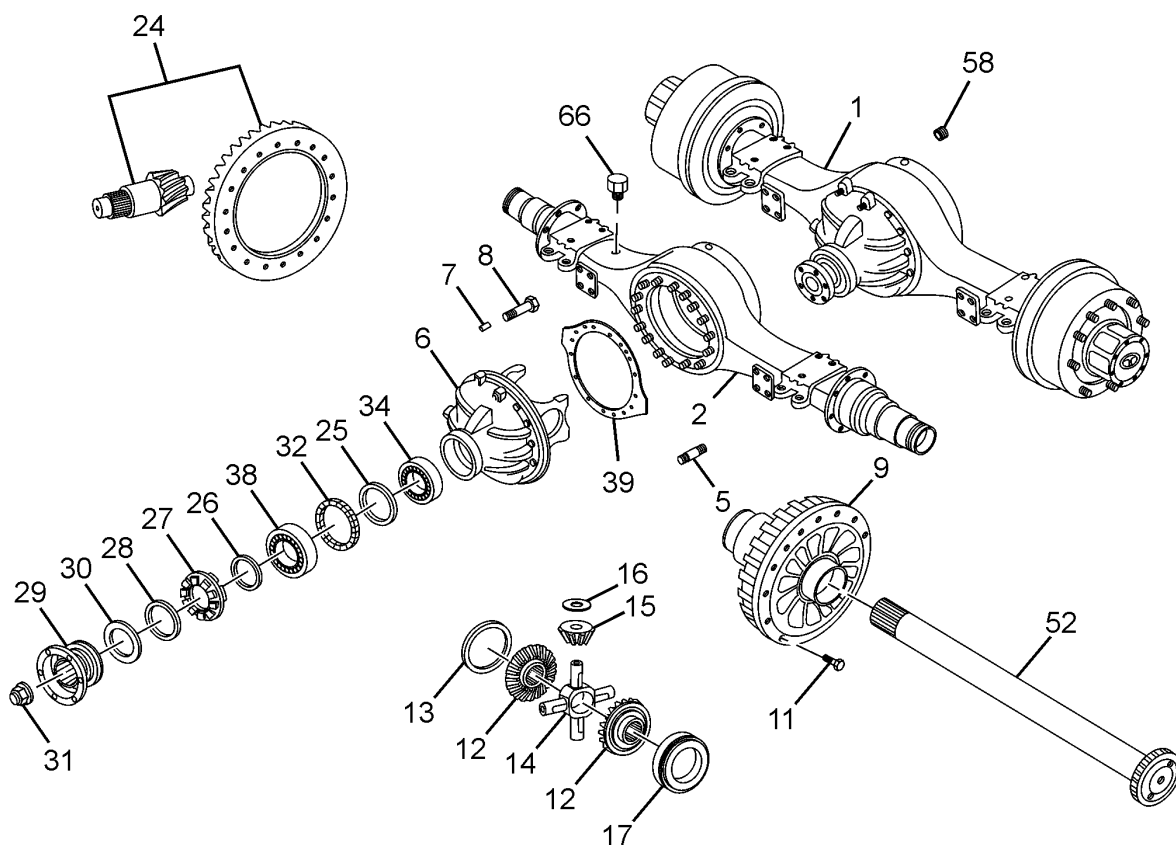
35.35.01A		REAR AXLE (RA 108 RR)		GROUP 35	
CHASSIS TYPE: 389068; 389067					
FIG. NO.	PART NUMBER	DESCRIPTION	QTY	REMARKS	
29	273235305003	COUPLING FLANGE	1		
30	273235308201	DUST COVER	1		
	273235307701	DUST SEAL	1		
31	3273530172	HEX. NUT (MACHINED)	1		
32	257635308604	SPACER RING 7.74 MM THICK	1	FOR SELECTION	
32	257635308605	SPACER RING 7.72 MM THICK	1	FOR SELECTION	
32	257635308606	SPACER RING 7.70 MM THICK	1	FOR SELECTION	
32	257635308607	SPACER RING 7.68 MM THICK	1	FOR SELECTION	
32	257635308608	SPACER RING 7.66 MM THICK	1	FOR SELECTION	
32	257635308609	SPACER RING 7.64 MM THICK	1	FOR SELECTION	
32	257635308610	SPACER RING 7.62 MM THICK	1	FOR SELECTION	
32	257635308611	SPACER RING 7.60 MM THICK	1	FOR SELECTION	
32	257635308612	SPACER RING 7.58 MM THICK	1	FOR SELECTION	
32	257635308613	SPACER RING 7.56 MM THICK	1	FOR SELECTION	
32	257635308614	SPACER RING 7.54 MM THICK	1	FOR SELECTION	
32	257635308615	SPACER RING 7.52 MM THICK	1	FOR SELECTION	
32	257635308616	SPACER RING 7.50 MM THICK	1	FOR SELECTION	
32	257635308617	SPACER RING 7.48 MM THICK	1	FOR SELECTION	
32	257635308618	SPACER RING 7.46 MM THICK	1	FOR SELECTION	
32	257635308619	SPACER RING 7.44 MM THICK	1	FOR SELECTION	
32	257635308620	SPACER RING 7.42 MM THICK	1	FOR SELECTION	
32	257635308621	SPACER RING 7.40 MM THICK	1	FOR SELECTION	
32	257635308622	SPACER RING 7.38 MM THICK	1	FOR SELECTION	
32	257635308623	SPACER RING 7.76 MM THICK	1	FOR SELECTION	
-	257635308308	SHIM 0.10 MM THICK	AR	FOR SELECTION	
-	257635308302	SHIM 0.15 MM THICK	AR	FOR SELECTION	
-	257635308303	SHIM 0.20 MM THICK	AR	FOR SELECTION	
-	257635308304	SHIM 0.25 MM THICK	AR	FOR SELECTION	
-	257635308305	SHIM 0.30 MM THICK	AR	FOR SELECTION	
-	257635308306	SHIM 0.50 MM THICK	AR	FOR SELECTION	
-	257635308307	SHIM 1.00 MM THICK	AR	FOR SELECTION	
34	257635303102	TAPER ROLLER BEARING (PINION)	2		
38	257635303104	CYLINDRICAL ROLLER BEARING	2		
	257635309902	LOCKING WIRE INNER RACE	1		
	257635309903	LOCKING WIRE OUTER RACE	1		
-	257635308201	LOCKING PLATE	1		
39	257635115302	GASKET (CARRIER)	1		
58	0009970506	SCREW PLUG	1		
52	266835707901	REAR AXLE SHAFT (53 MM DIA)	1		
-	266335107201	MAGNETIC DRAIN PLUG	1		
66	257433150102	ASSY BREATHER	1		
-	257428159902	ADAPTER (FOR BREATHER)	1		

CHASSIS TYPE: 389277



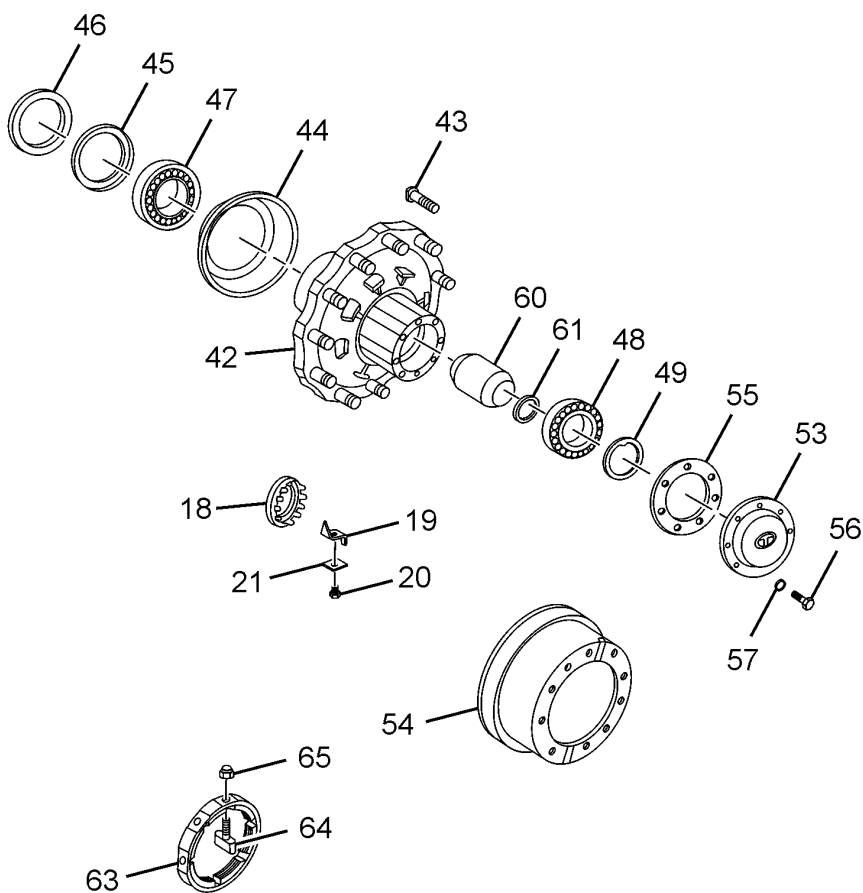
35.35.01B		REAR AXLE (RA 108 RR)		GROUP 35
CHASSIS TYPE: 389277				
FIG. NO.	PART NUMBER	DESCRIPTION	QTY	REMARKS
1	273235000298	RA-109RR COMP,41/7,1055,130,ABS-WABCO	1	
2	273235100186	ASSY RA BEAM M/CED-1055,W/ABS,AIL	1	
-	266835108601	PRESSURE RING	2	
5	11632609401	STUD BM 12X40	12	
-	11632609649	STUD BM 12X80	2	
6	273235110107	ASSY. CARRIER HOUSING	1	
7	13050909209	CYLINDRICAL PIN 10 H 8X20	4	
8	273235113201	BOLT (PLUMMER BLOCK COVER)	4	
9	273235300183	DIFFERENTIAL HOUSING	1	
-	273235308002	HEX. SCREW (DIFF. CASE TO COVER)	16	
11	273235308003	HEX. BOLT SERRATED (CROWN WHEEL)	18	
12	273235305442	GEAR, REAR AXLE SHAFT	2	
13	273235309210	THRUST WASHER (GEAR) 1.95 MM THICK	2	FOR SELECTION
13	273235309211	THRUST WASHER (GEAR) 2.00 MM THICK	2	FOR SELECTION
13	273235309212	THRUST WASHER (GEAR) 2.05 MM THICK	2	FOR SELECTION
13	273235309213	THRUST WASHER (GEAR) 2.10 MM THICK	2	FOR SELECTION
13	273235309214	THRUST WASHER (GEAR) 2.15 MM THICK	2	FOR SELECTION
13	273235309215	THRUST WASHER (GEAR) 2.20 MM THICK	2	FOR SELECTION
13	273235309216	THRUST WASHER (GEAR) 2.25 MM THICK	2	FOR SELECTION
14	273235305113	SPIDER (DIFFERENTIAL) (LOCKABLE)	1	
15	273235305443	BEVEL PINION	4	
16	273235309217	SPHERICAL WASHER (LOCKABLE)	4	
17	266935303101	TAPER ROLLER BEARING (DIFF.)	2	
-	273235300117	ASSY ADJUSTING PIN	1	
24	273235300106	CROWN WHEEL AND PINION (41/7)	1	OPTIONAL
24	273235300131	CROWN WHEEL AND PINION (41/7)	1	OPTIONAL
25	257635308601	SPACER (BETWEEN PINION BRG.)	1	
26	273235308601	SPACER (BETWEEN PINION BRG. & FLANGE)	1	
	273235308202	OIL SLINGER	1	
27	257635306503	THREADED RING	1	

CHASSIS TYPE: 389277



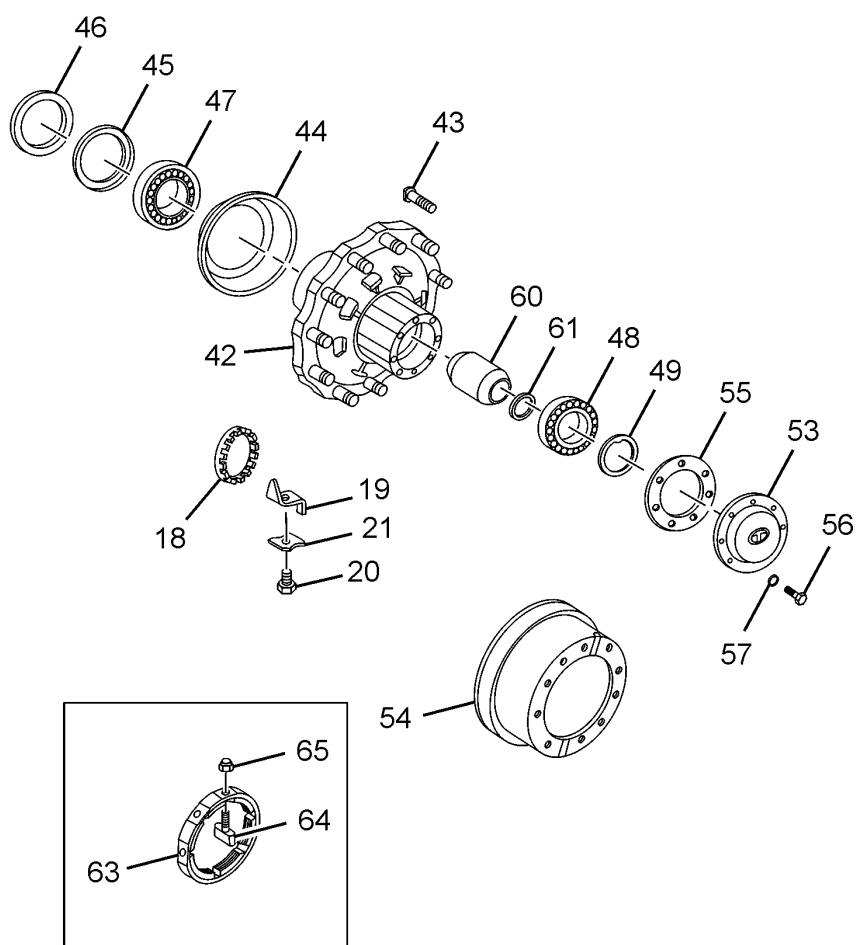
35.35.01B		REAR AXLE (RA 108 RR)		GROUP 35	
CHASSIS TYPE: 389277					
FIG. NO.	PART NUMBER	DESCRIPTION	QTY	REMARKS	
28	257335307705	OIL SEAL DOUBLE LIP	1		
29	273235305003	COUPLING FLANGE	1		
30	273235308201	DUST COVER	1		
	273235307701	DUST SEAL	1		
31	3273530172	HEX. NUT (MACHINED)	1		
32	257635308604	SPACER RING 7.74 MM THICK	1	FOR SELECTION	
32	257635308605	SPACER RING 7.72 MM THICK	1	FOR SELECTION	
32	257635308606	SPACER RING 7.70 MM THICK	1	FOR SELECTION	
32	257635308607	SPACER RING 7.68 MM THICK	1	FOR SELECTION	
32	257635308608	SPACER RING 7.66 MM THICK	1	FOR SELECTION	
32	257635308609	SPACER RING 7.64 MM THICK	1	FOR SELECTION	
32	257635308610	SPACER RING 7.62 MM THICK	1	FOR SELECTION	
32	257635308611	SPACER RING 7.60 MM THICK	1	FOR SELECTION	
32	257635308612	SPACER RING 7.58 MM THICK	1	FOR SELECTION	
32	257635308613	SPACER RING 7.56 MM THICK	1	FOR SELECTION	
32	257635308614	SPACER RING 7.54 MM THICK	1	FOR SELECTION	
32	257635308615	SPACER RING 7.52 MM THICK	1	FOR SELECTION	
32	257635308616	SPACER RING 7.50 MM THICK	1	FOR SELECTION	
32	257635308617	SPACER RING 7.48 MM THICK	1	FOR SELECTION	
32	257635308618	SPACER RING 7.46 MM THICK	1	FOR SELECTION	
32	257635308619	SPACER RING 7.44 MM THICK	1	FOR SELECTION	
32	257635308620	SPACER RING 7.42 MM THICK	1	FOR SELECTION	
32	257635308621	SPACER RING 7.40 MM THICK	1	FOR SELECTION	
32	257635308622	SPACER RING 7.38 MM THICK	1	FOR SELECTION	
32	257635308623	SPACER RING 7.76 MM THICK	1	FOR SELECTION	
-	257635308308	SHIM 0.10 MM THICK	AR	FOR SELECTION	
-	257635308302	SHIM 0.15 MM THICK	AR	FOR SELECTION	
-	257635308303	SHIM 0.20 MM THICK	AR	FOR SELECTION	
-	257635308304	SHIM 0.25 MM THICK	AR	FOR SELECTION	
-	257635308305	SHIM 0.30 MM THICK	AR	FOR SELECTION	
-	257635308306	SHIM 0.50 MM THICK	AR	FOR SELECTION	
-	257635308307	SHIM 1.00 MM THICK	AR	FOR SELECTION	
34	257635303102	TAPER ROLLER BEARING (PINION)	2		
38	257635303104	CYLINDRICAL ROLLER BEARING	2		
	257635309902	LOCKING WIRE INNER RACE	1		
	257635309903	LOCKING WIRE OUTER RACE	1		
-	257635308201	LOCKING PLATE	1		
39	257635115302	GASKET (CARRIER)	1		
58	0009970506	SCREW PLUG	1		
52	266835707901	REAR AXLE SHAFT (53 MM DIA)	1		
-	266335107201	MAGNETIC DRAIN PLUG	1		
66	257428150101	ASSY BREATHER	1		

CHASSIS TYPE: 389068; 389067



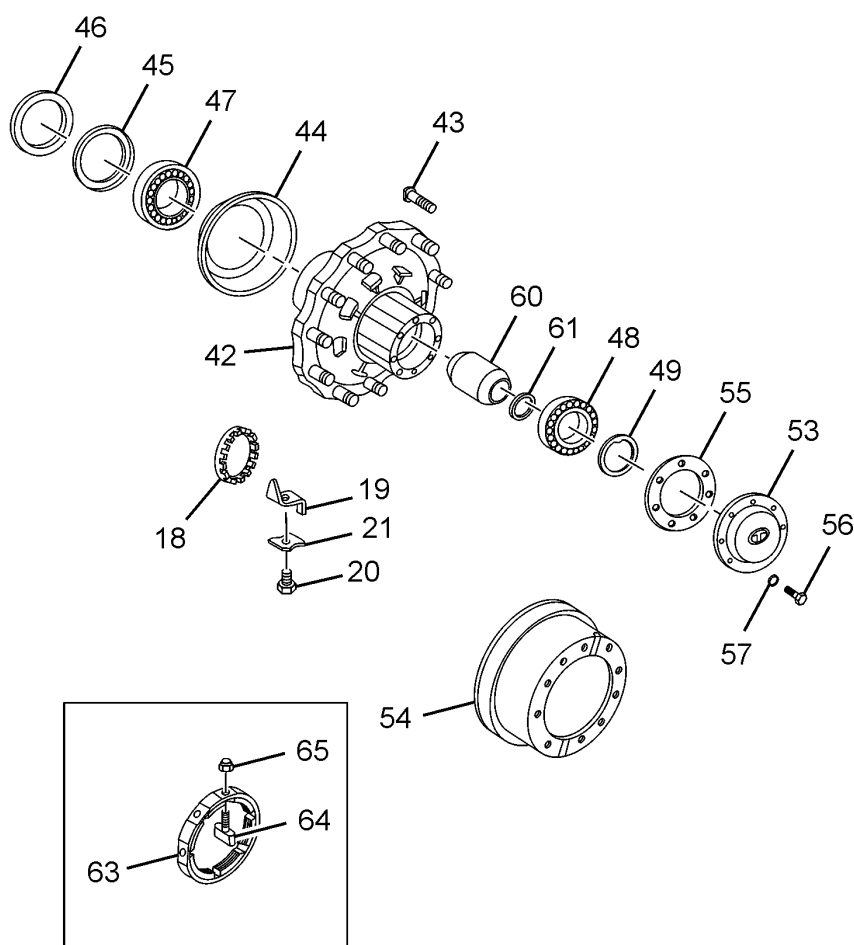
35.35.02A		REAR AXLE (RA 108 RR)		GROUP 35	
CHASSIS TYPE: 389068; 389067					
FIG. NO.	PART NUMBER	DESCRIPTION	QTY	REMARKS	
18	257635306501	THREADED RING	2		
19	257635308201	LOCKING PLATE (TO THREADED RING)	2		
20	11323996191	SCREW M 8X12	2		
21	3129941201	LOCKING PLATE	2		
42	273235600103	ASSY. HUB (REAR) W/O BEARINGS AND OIL SEAL	2		
43	263140206701	HUB BOLT, REAR	20		
44	273235608201	OIL CATCHER (ABS)	2		
45	266835608601	SPACER RING (HUB OUTER SEAL)	2		
46	266835607701	OIL SEAL (INNER)	2		
47	266835603101	TAPER ROLLER BEARING (INNER) (95X168X41)	2		
48	266835603102	TAPER ROLLER BEARING (OUTER) (85X150X38)	2		
-	266835607702	OIL SEAL (OUTER)	2		
60	266835608603	SPACER TUBE (BETWEEN HUB BRGS)	2		
61	265135308303	SHIM 0.10 MM THICK	AR	FOR SELECTION	
61	265135308304	SHIM 0.15 MM THICK	AR	FOR SELECTION	
61	265135308305	SHIM 0.20 MM THICK	AR	FOR SELECTION	
61	265135308306	SHIM 0.25 MM THICK	AR	FOR SELECTION	
61	265135308307	SHIM 0.50 MM THICK	AR	FOR SELECTION	
61	265135308308	SHIM 1.50 MM THICK	AR	FOR SELECTION	
61	265135308309	SHIM 0.30 MM THICK	AR	FOR SELECTION	
61	265135308310	SHIM 0.45 MM THICK	AR	FOR SELECTION	
61	265135308311	SHIM 1.00 MM THICK	AR	FOR SELECTION	
53	266835604701	COVER, REAR HUB	2		
54	263142103701	BRAKE DRUM (SPIGOTTED) (RA 109 RR)	2		
55	266835605301	GASKET (HUB)	2		
49	266835608602	SPACER	2		
	266835608604	TONGUE SPACER (HUB OUTER BEARING)	2		
63	266835606501	HUB LOCK NUT	2		
64	266835608001	PIN (HUB LOCK NUT)	2		
65	12140500800	NYLOC NUT M 8 (HUB LOCK NUT)	2		
56	11323999114	HEX SCREW M 8 X 18	16		
57	12520698025	SPRING WASHER B8	16		

CHASSIS TYPE: 389277



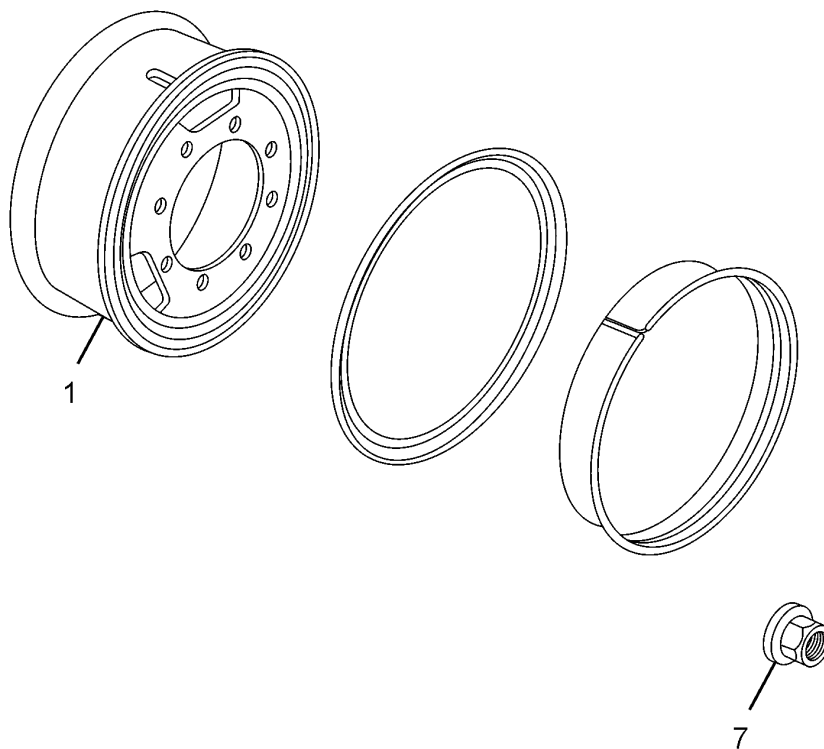
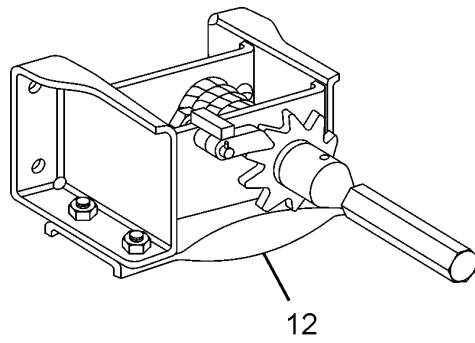
35.35.02B		REAR AXLE (RA 108 RR)		GROUP 35
CHASSIS TYPE: 389277				
FIG. NO.	PART NUMBER	DESCRIPTION	QTY	REMARKS
18	257635306501	THREADED RING	2	
19	257635308201	LOCKING PLATE (TO THREADED RING)	2	
20	11323996191	SCREW M 8X12	2	
21	3129941201	LOCKING PLATE	2	
42	273235600108	ASSY.REAR HUB -W/PINS & OIL CATCHER(ABS)	2	
42	273235600103	ASSY. HUB (REAR) W/O BEARINGS AND OIL SEAL	2	
43	263140206701	HUB BOLT, REAR	20	
44	273235608201	OIL CATCHER (ABS)	2	
45	266835608601	SPACER RING (HUB OUTER SEAL)	2	
46	266835607701	OIL SEAL (INNER)	2	
47	266835603101	TAPER ROLLER BEARING (INNER) (95X168X41)	2	
48	266835603102	TAPER ROLLER BEARING (OUTER) (85X150X38)	2	
-	266835607702	OIL SEAL (OUTER)	2	
60	266835608603	SPACER TUBE (BETWEEN HUB BRGS)	2	
61	265135308303	SHIM 0.10 MM THICK	AR	FOR SELECTION
61	265135308304	SHIM 0.15 MM THICK	AR	FOR SELECTION
61	265135308305	SHIM 0.20 MM THICK	AR	FOR SELECTION
61	265135308306	SHIM 0.25 MM THICK	AR	FOR SELECTION
61	265135308307	SHIM 0.50 MM THICK	AR	FOR SELECTION
61	265135308308	SHIM 1.50 MM THICK	AR	FOR SELECTION
61	265135308309	SHIM 0.30 MM THICK	AR	FOR SELECTION
61	265135308310	SHIM 0.45 MM THICK	AR	FOR SELECTION
61	265135308311	SHIM 1.00 MM THICK	AR	FOR SELECTION
53	266835604701	COVER, REAR HUB	2	
54	263142103701	BRAKE DRUM (SPIGOTTED) (RA 109 RR)	2	
55	266835605301	GASKET (HUB)	2	
49	266835608602	SPACER	2	
	266835608604	TONGUE SPACER (HUB OUTER BEARING)	2	
63	266835606501	HUB LOCK NUT	2	
64	266835608001	PIN (HUB LOCK NUT)	2	
65	12140500800	NYLOC NUT M 8 (HUB LOCK NUT)	2	
56	11323999114	HEX SCREW M 8 X 18	16	
57	12520698025	SPRING WASHER B8	16	

CHASSIS TYPE: 389277



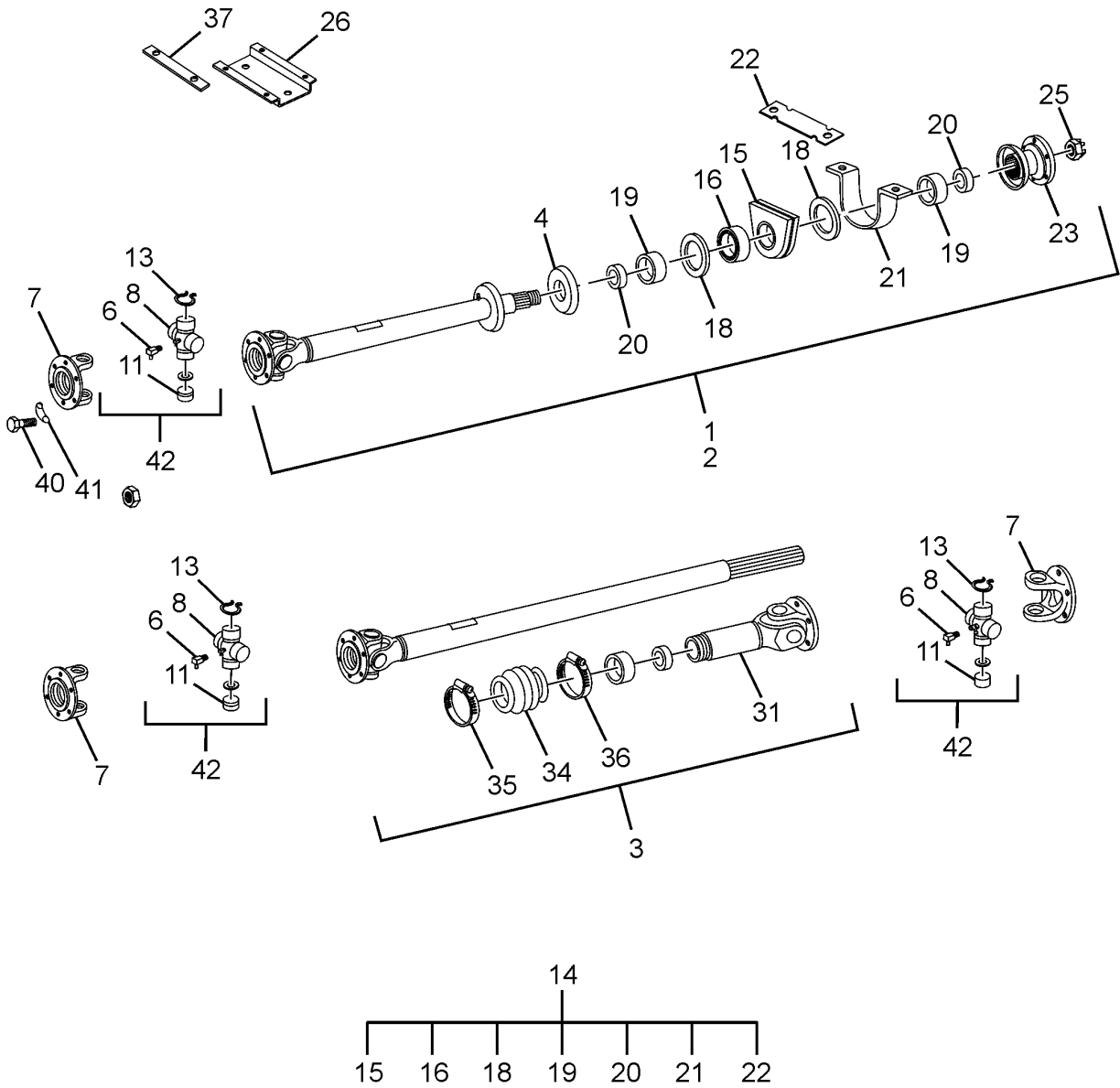
35.35.02B		REAR AXLE (RA 108 RR)		GROUP 35
CHASSIS TYPE: 389277				
FIG. NO.	PART NUMBER	DESCRIPTION	QTY	REMARKS
		ABS PARTS		
60	280842303301	SENSOR AXLE BKT. REAR	2	
61	284142309901	POLE WHEEL-REAR	2	
-	264354209929	SENSOR-'L TYPE'(WHEEL SPEED) - K/B.	2	
63	263242103403	SENSOR BUSH(KNORR)-ABS	2	
	280842307502	RUBBER GROMMET (FOR DIA 8 ABS HOLE)	2	
65	280842307501	RUBBER GROMMET FOR (DIA 18 ABS HOLE)	2	

CHASSIS TYPE: ALL



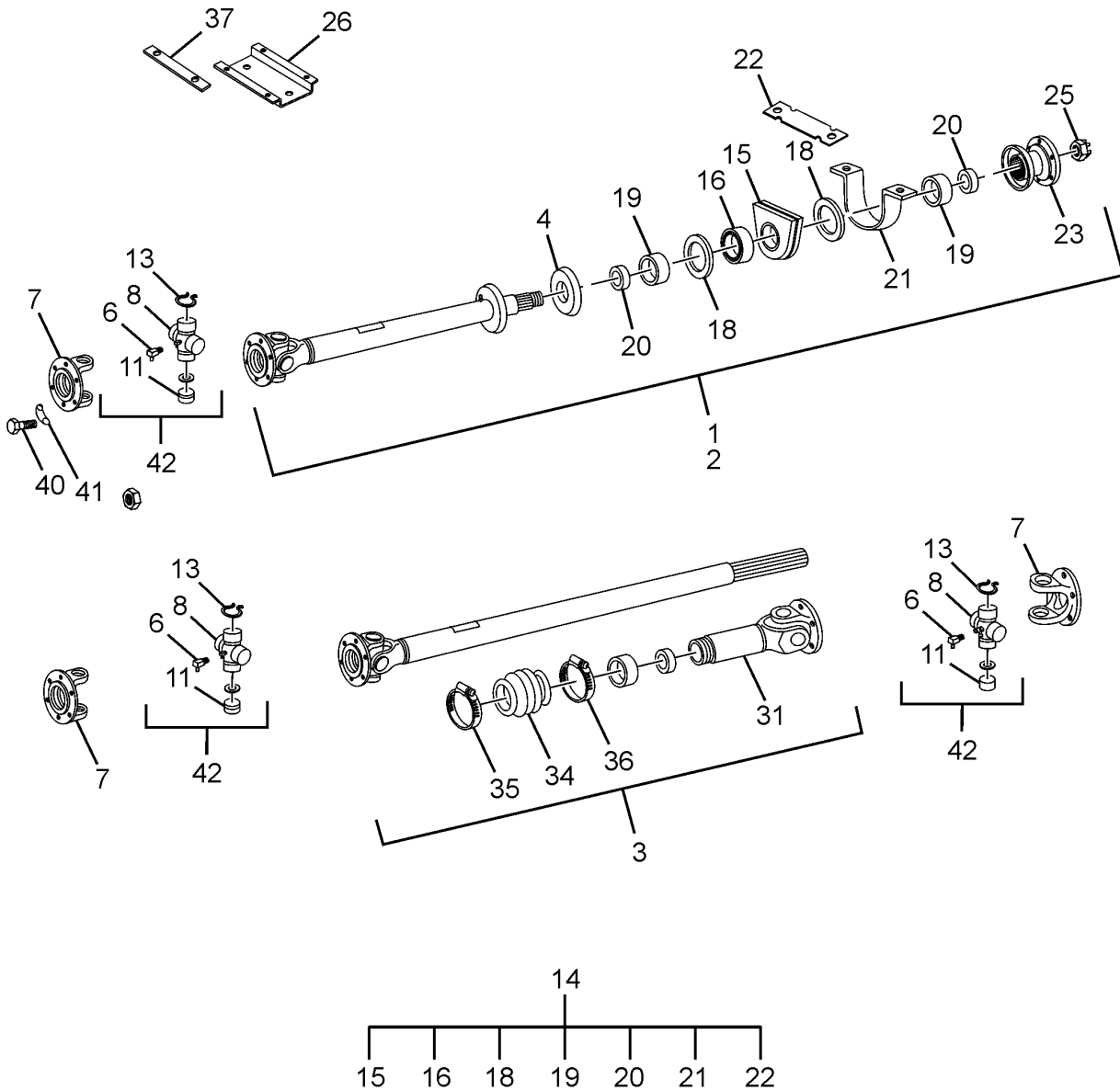
40.40.01		WHEEL RIM AND SPARE WHEEL CARRIER		GROUP 40
CHASSIS TYPE: ALL				
FIG. NO.	PART NUMBER	DESCRIPTION	QTY	REMARKS
1	263140100105	ASSY. WHEEL DISC. AND RIM (B 7.5 HD X20)	7	
7	263140100107	ASSY. WHEEL NUT	40	
12	257640300111	ASSY SPARE WHEEL CARRIER	1	

CHASSIS TYPE: ALL



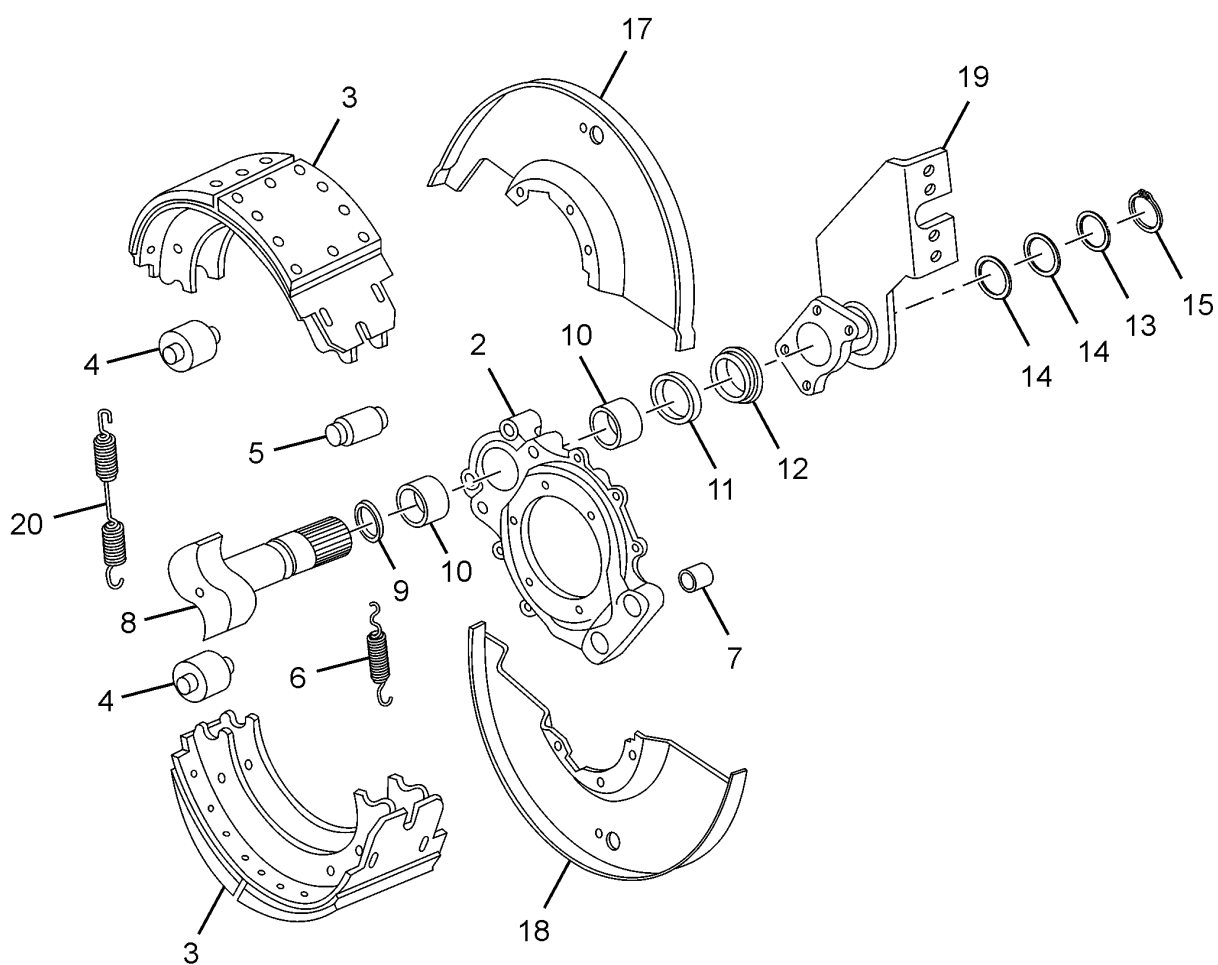
41.41.01		PROPELLER SHAFT		GROUP 41
CHASSIS TYPE: ALL				
FIG. NO.	PART NUMBER	DESCRIPTION	QTY	REMARKS
1	275041100114	ASSY PROPELLER SHAFT WITH CENTRE	1	
2	27504110010360	PROP SHAFT W/O PAINTING	1	
3	275041120101	ASSY PROPELLER SHAFT (REAR)	1	
4	263241308202	DUST COVER	4	
7	257641115110	FLANGE YOKE (8 HOLES)	4	
14	263241300102	ASSY CENTRE BEARING BRACKET (GREASABLE) (CONSISTING OF SL NOS 15 TO 22)	2	
15	257641306301	RUBBER HOUSING	2	
	257641303401	BUSH	2	
16	257441303104	SRDG BALL BEARING (CENTER BEARING BRACKET)	2	
18	257641304301	SNAP RING	4	
19	263241307801	OIL SEAL	4	
20	263241308602	SPACER	4	
21	257641303301	CENTRE BEARING BRACKET	2	
22	257641304201	CLAMP	2	
23	263241110111	ASSY COUPLING FLANGE	2	
25	0423530172J	HEX NUT (MACHINED)	2	
31	257641120121	ASSY UNIVERSAL JOINT LONG FORK COMPLETE	1	
8	257641115108	CROSS	4	
-	257641129901	SEALING RING	1	
34	260041127501	RUBBER BOOT	1	
35	14280500802	HOSE CLAMP 80	1	
36	14280501001	HOSE CLAMP 100	1	
26	275041303301	BRACKET (PROP.SHAFT CENTRE BEARING BKT-1)	1	
26	275041303302	BRACKET (PROP.SHAFT CENTRE BEARING BKT-2)	1	
	257641108002	SCREW (CENTER BEARING TO BRACKET)	4	
37	257341308217	SPACER PLATE	4	
40	257641113201	BOLT	32	
41	257641116101	LOCKING PLATE	16	
42	885441211612	ASSY. CROSS KIT CONSISTING OF :	1	
11	-	ASSY. BEARING CUP	1	
8	-	CROSS	1	
	-	END RING	1	
	-	ADAPTER	1	
6	-	GREASE NIPPLE AM 10X1	1	

CHASSIS TYPE: ALL



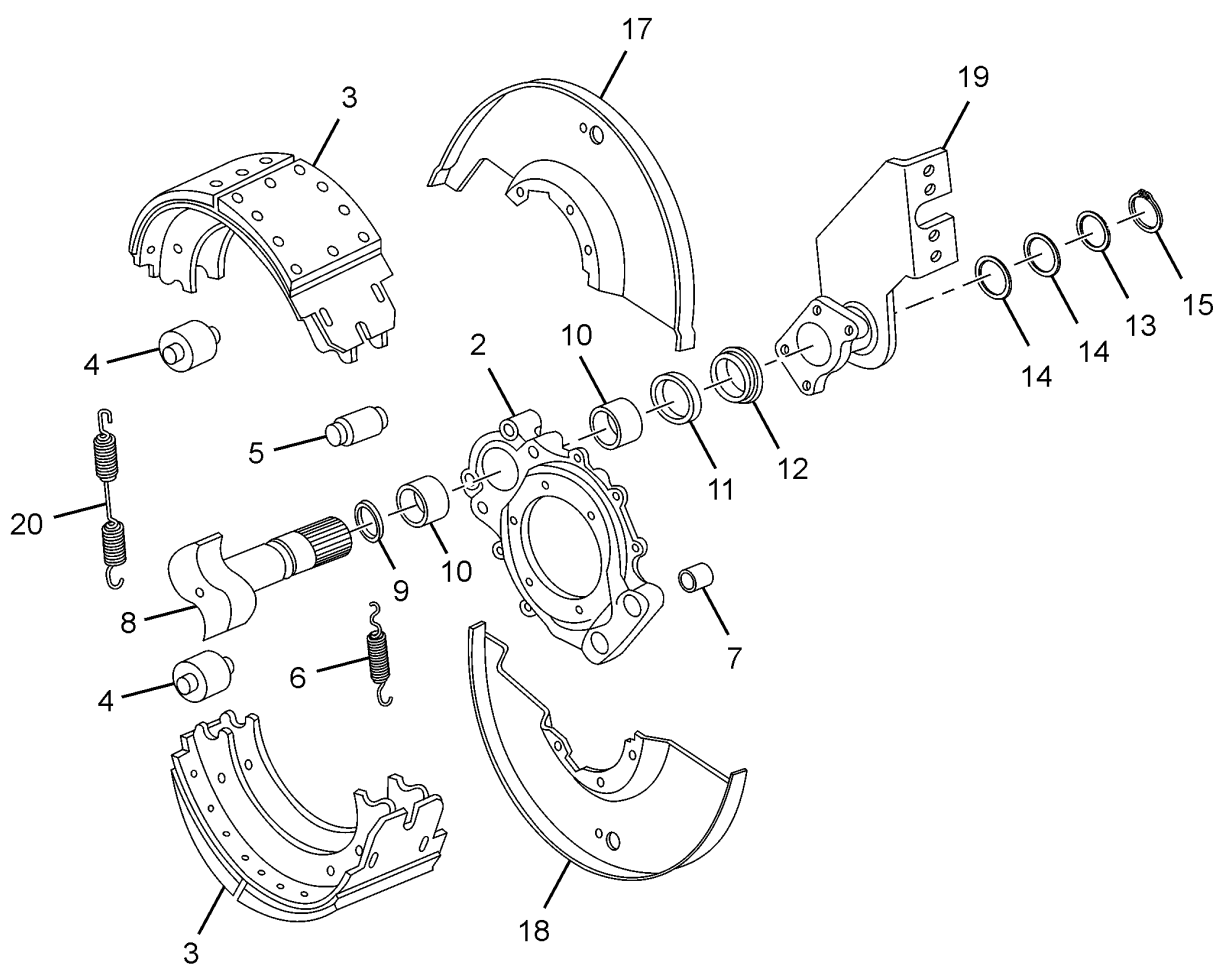
41.41.01		PROPELLER SHAFT		GROUP 41	
CHASSIS TYPE: ALL					
FIG. NO.	PART NUMBER	DESCRIPTION	QTY	REMARKS	
13	-	HEX. THIN NUT M 8X1	1		
	-	SPRING RING	1		

CHASSIS TYPE: 389068; 389067



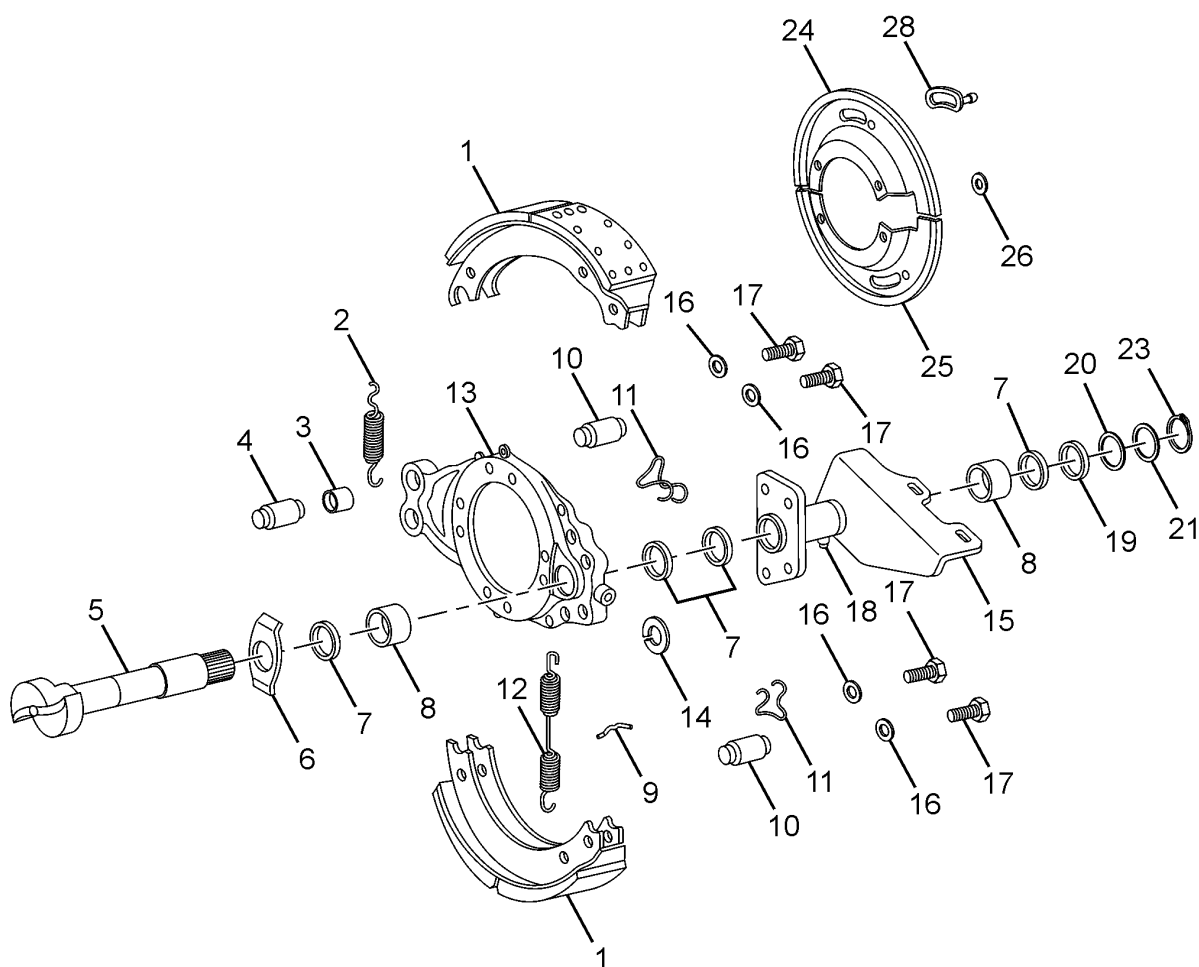
42.42.01.01		FRONT WHEEL BRAKE S -CAM (BIL)		GROUP 42
CHASSIS TYPE: 389068; 389067				
FIG. NO.	PART NUMBER	DESCRIPTION	QTY	REMARKS
	277842100148	ASSY.FRT. DRUM BRAKE W/DUST COVER RH	1	
	277842100149	ASSY.FRT. DRUM BRAKE W/DUST COVER LH	1	
3	277842130115	LINED SHOE FRONT,CONSISTING OFF:	4	
2	277842133702	TORQUE PLATE LH	1	
2	277842133701	TORQUE PLATE RH	1	
4	277842135101	ROLLER	4	
5	257342106724	FULCRUM	4	
6	257342108704	SPRING (PULL OFF) FULCRUM END	4	
7	257342103404	FULCRUM PIN BUSH	4	
8	277842135102	CAM SHAFT LH	1	
8	277842135103	CAM SHAFT RH	1	
9	257342107702	O' RING	2	
10	257342103405	DELRIN BUSH	4	
11	257342107801	OIL SEAL	2	
12	257342108405	SLEEVE (SLACK ADJ. END)	2	
13	257342109209	WASHER	2	
14	257342108301	SHIM 0.5 MM	2	
14	257342108302	SHIM 1.0 MM	2	
14	283942308301	SHIM 0.3 MM	2	
15	257342104303	CIRCLIP	2	
17	257342118211	DUST COVER TOP	2	
18	257342118210	DUST COVER BOTTOM	2	
19	277842133301	ASSY. FLANGE, TUBE & BRACKET LH	1	
19	277842133302	ASSY. FLANGE, TUBE & BRACKET RH	1	
20	277842138701	SPRING PULL OFF, CAM END	2	
		REPAIR KITS		
	885442131613	WHEEL SET BRAKE LINING FRT STD	1	
	885442141613	WHEEL SET BRAKE LINING FRT R/S I	1	

CHASSIS TYPE: 389277



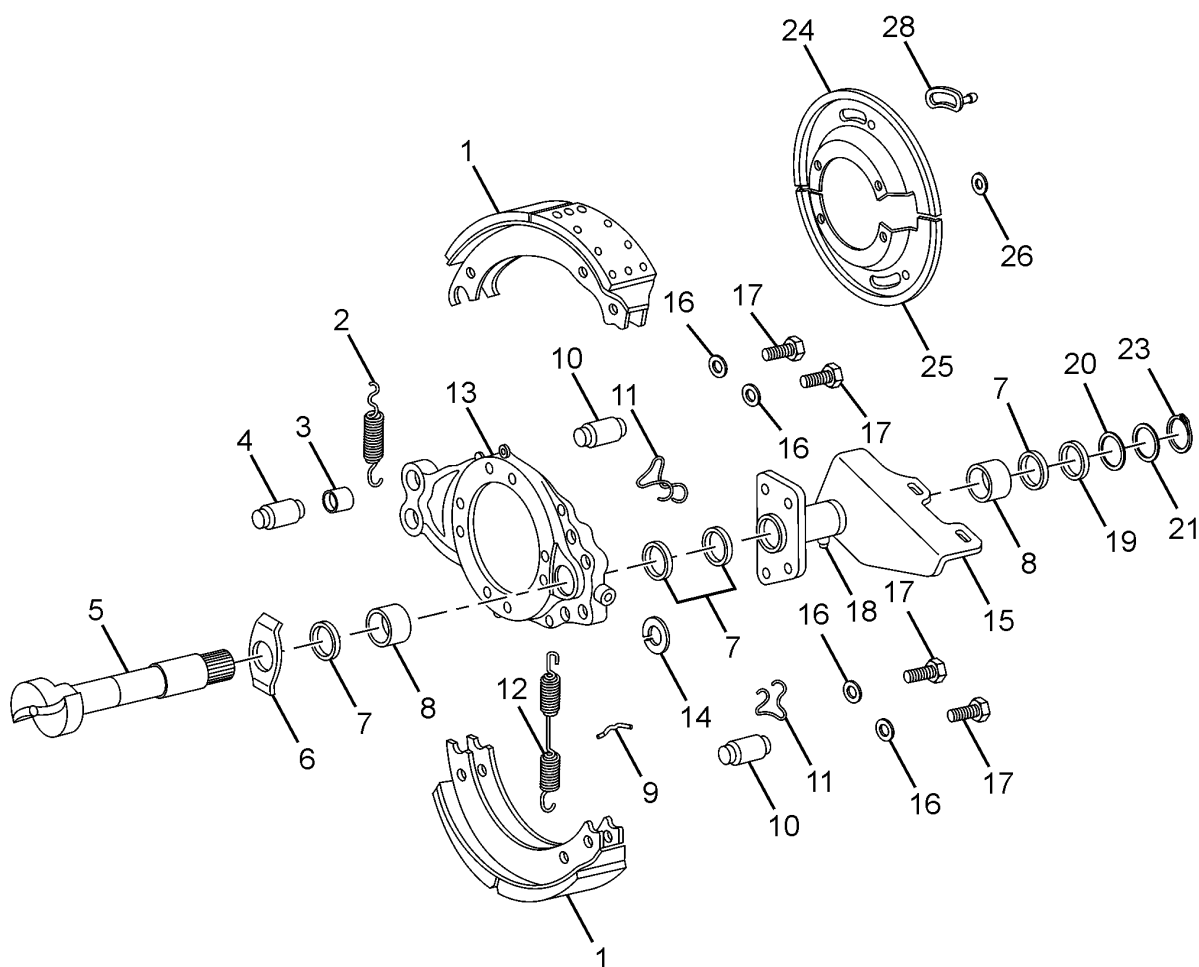
42.42.01.02		FRONT WHEEL BRAKE S -CAM (BIL)		GROUP 42
CHASSIS TYPE: 389277				
FIG. NO.	PART NUMBER	DESCRIPTION	QTY	REMARKS
	288342100131	ASSY. F/A BRAKE RH WITH DUST COVER BIL	1	FOR SELECTION AS A SET WITH M/S.AAL
	288342100132	ASSY. F/A BRAKE LH WITH DUST COVER BIL	1	FOR SELECTION AS A SET WITH M/S.AAL
3	277842130115	LINED SHOE FRONT	4	
2	277842133702	TORQUE PLATE LH	1	
2	277842133701	TORQUE PLATE RH	1	
4	277842135101	ROLLER	4	
5	257342106724	FULCRUM	4	
6	257342108704	SPRING (PULL OFF) FULCRUM END	4	
7	257342103404	FULCRUM PIN BUSH	4	
8	277842135102	CAM SHAFT LH	1	
8	277842135103	CAM SHAFT RH	1	
9	257342107702	'O' RING	2	
10	257342103405	DELRIN BUSH	4	
11	257342107801	OIL SEAL	2	
12	257342108405	SLEEVE (SLACK ADJ. END)	2	
13	257342109209	WASHER	2	
14	257342108301	SHIM 0.5 MM	2	FOR SELECTION
14	257342108302	SHIM 1.0 MM	2	FOR SELECTION
15	257342104303	CIRCLIP	2	
17	257342118211	DUST COVER TOP	2	
18	257342118210	DUST COVER BOTTOM	2	
19	277842133301	ASSY. FLANGE, TUBE & BRACKET LH	1	
19	277842133302	ASSY. FLANGE, TUBE & BRACKET RH	1	
20	277842138701	SPRING PULL OFF, CAM END	2	
		REPAIR KITS		
	885442011616	WHEEL SET BRAKE LINING FRT STD	1	FOR SELECTION
	885442021616	WHEEL SET BRAKE LINING FRT R/S I	1	FOR SELECTION
	885442031616	WHEEL SET BRAKE LINING FRT R/S II	1	FOR SELECTION

CHASSIS TYPE: 389068; 389067



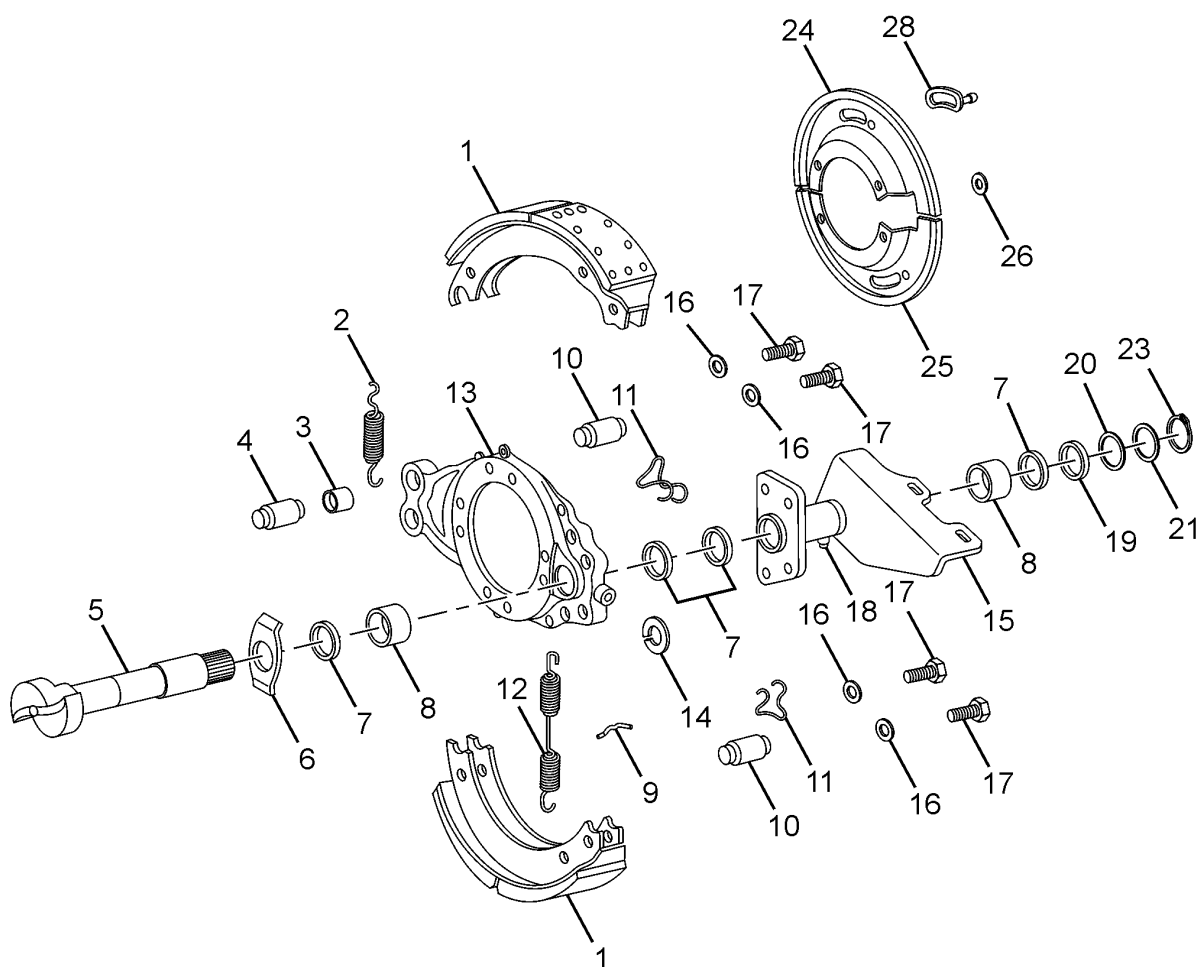
42.42.02.01		FRONT WHEEL BRAKE (AAL)		GROUP 42
CHASSIS TYPE: 389068; 389067				
FIG. NO.	PART NUMBER	DESCRIPTION	QTY	REMARKS
	263242100153	ASSY FRONT AXLE BRAKE RH WITH DUST COVER	1	
	263242100154	ASSY FRONT AXLE BRAKE LH WITH DUST COVER	1	
1	257342100179	BRAKE SHOE LINING & ROLLER ASSY.	4	
2	257342108708	SPRING (BRAKE SHOE RETURN)	4	
3	257342103401	BUSH (ANCHOR PIN)	2	
4	257342106723	ANCHOR PIN (BRAKE SHOE)	2	
5	261842107902	CAMSHAFT LH	1	
5	261842107901	CAMSHAFT RH	1	
6	257342109211	WASHER (CAM HEAD)	2	
7	257342107701	SEAL (CAMSHAFT)	2	
8	257342103402	BUSH (CAMSHAFT)	4	
9	257342103403	PIN	4	
10	257342107903	ROLLER (BRAKE SHOE)	4	
11	257342104301	RETAINER (BRAKE SHOE ROLLER)	4	
12	257342108703	RETURN SPRING (BRAKE SHOE)	2	
13	257342100180	SPIDER BRAKE LH	1	
13	257342100181	SPIDER BRAKE RH	1	
14	257342105301	GASKET (CHAMBER BRACKET)	1	
15	257342103301	BRACKET LH	1	
15	257342103302	BRACKET RH	1	
16	257342109204	WASHER (BRACKET FOR CAP SCREW)	4	
17	257342108007	CAP SCREW (CHAMBER BRACKET)	4	
18	257342109901	FITTING GREASE (CHAMBER BRACKET)	1	
19	261842109202	WASHER	2	
20	261842109203	WASHER	2	
21	261842109204	WASHER (HARDENED)	2	
23	261842104301	LOCK RING	2	
24	257342108213	DUST SHIELD TOP	2	
25	257342108208	DUST SHIELD BOTTOM	1	
26	257342109208	WASHER	12	
28	257342106802	PLUG	4	
	257342106704	COLLARED PIN	4	
	257342106720	COLLARED PIN	4	
	257342103207	BOLT	4	
	257642106501	CASTLE NUT	4	
	13150609369	SPLIT PIN AX36	12	

CHASSIS TYPE: 389068; 389067



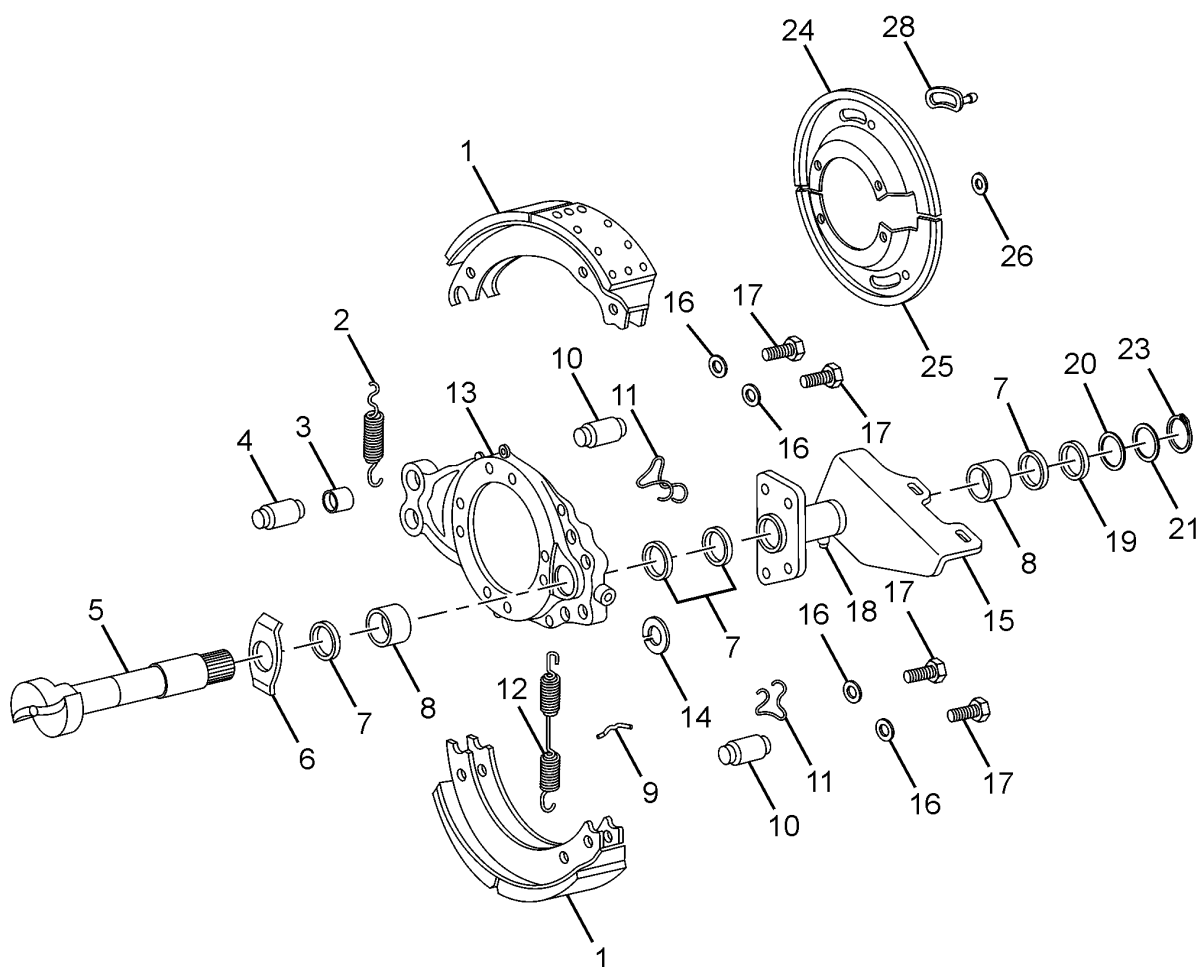
42.42.02.01		FRONT WHEEL BRAKE (AAL)		GROUP 42
CHASSIS TYPE: 389068; 389067				
FIG. NO.	PART NUMBER	DESCRIPTION	QTY	REMARKS
	257342100183	REPAIR KITS FRONT BRAKE OVERHAUL KIT (MINOR) CONSISTING OF :	1	
		BRAKE LINING	8	
		RETAINING SPRING	4	
		RETURN SPRING	2	
		ROLLER	4	
		RETAINER	4	
		RIVETS	80	
	257342100148	SERVICE KIT (MINOR) FRONT CONSISTING OF :	1	
		SPRING (RETAINING)	4	
		SPRING (RETURN)	2	
		ROLLER (BRAKE SHOE)	4	
		RETAINER	4	
		PIN (RETURN SPRING)	4	
	257342100149	BRAKE SPRING KIT (FRONT) CONSISTING OF :	1	
		SPRING (RETAINING)	4	
		SPRING (RETURN)	2	
		RETAINER (SHOE ROLLER)	2	
	257342100150	SERVICE KIT FOR CAMSHAFT (FRONT) CONSISTING OF :	1	
		BUSH	4	
		SEAL	2	
		LOCK RING	2	
		BRAKE LINING SET		
	885442131613	WHEEL SET BRAKE LINING FRT STD	1	
	885442141613	WHEEL SET BRAKE LINING FRT R/S I	1	

CHASSIS TYPE: 389277



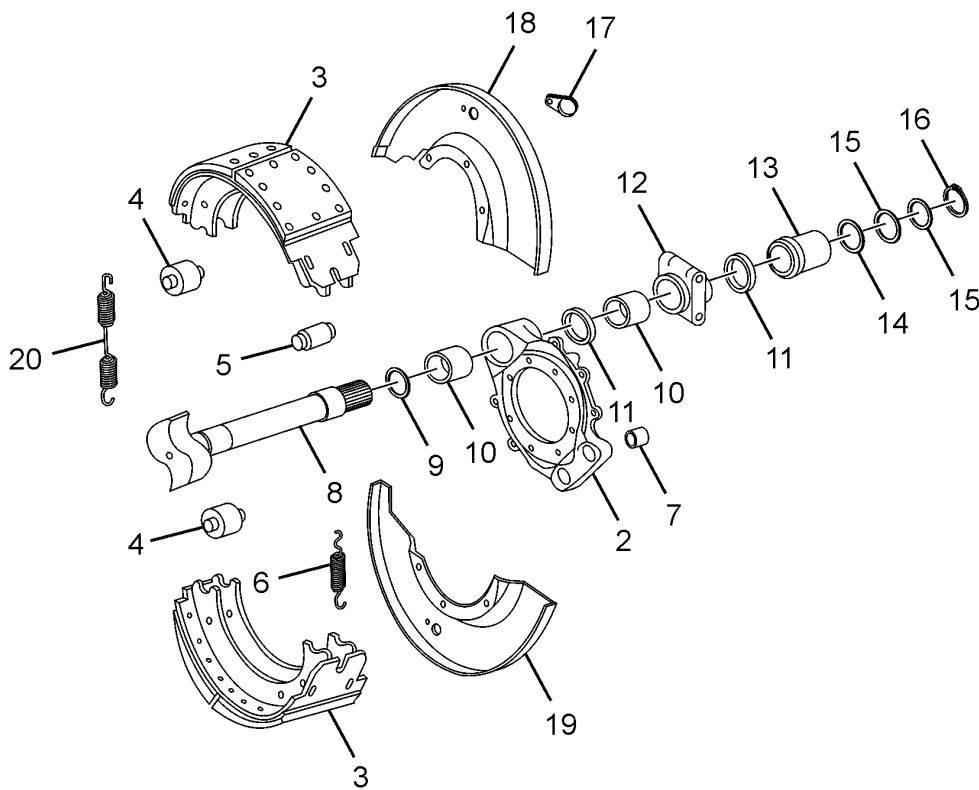
42.42.02.02		FRONT WHEEL BRAKE (AAL)		GROUP 42
CHASSIS TYPE: 389277				
FIG. NO.	PART NUMBER	DESCRIPTION	QTY	REMARKS
	288342100122	ASSY. F/A BRAKE RH WITH DUST COVER AAL	1	FOR SELECTION AS A SET WITH M/S. BIL
	288342100123	ASSY. F/A BRAKE LH WITH DUST COVER AAL	1	FOR SELECTION AS A SET WITH M/S. BIL
1	257342100179	BRAKE SHOE LINING & ROLLER ASSY.	4	
2	257342108708	SPRING (BRAKE SHOE RETURN)	4	
3	257342103401	BUSH (ANCHOR PIN)	2	
4	257342106723	ANCHOR PIN (BRAKE SHOE)	2	
5	261842107902	CAMSHAFT LH	1	
5	261842107901	CAMSHAFT RH	1	
6	257342109211	WASHER (CAM HEAD)	2	
7	257342107701	SEAL (CAMSHAFT)	2	
8	257342103402	BUSH (CAMSHAFT)	4	
9	257342103403	PIN	4	
10	257342107903	ROLLER (BRAKE SHOE)	4	
11	257342104301	RETAINER (BRAKE SHOE ROLLER)	4	
12	257342108703	RETURN SPRING (BRAKE SHOE)	2	
13	-	SPIDER BRAKE LH	1	NOT SERVICED
13	-	SPIDER BRAKE RH	1	NOT SERVICED
14	257342105301	GASKET (CHAMBER BRACKET)	1	
15	257342103301	BRACKET LH	1	
15	257342103302	BRACKET RH	1	
16	257342109204	WASHER (BRACKET FOR CAP SCREW)	4	
17	257342108007	CAP SCREW (CHAMBER BRACKET)	4	
18	257342109901	FITTING GREASE (CHAMBER BRACKET)	1	
19	261842109202	WASHER	2	
20	261842109203	WASHER	2	
21	261842109204	WASHER (HARDENED)	2	
23	261842104301	LOCK RING	2	
24	257342108207	DUST SHIELD TOP	2	
25	257342108208	DUST SHIELD BOTTOM	1	
26	257342109208	WASHER	12	
28	257342106802	PLUG	4	
	257342106704	COLLARED PIN	4	
	257342106720	COLLARED PIN	4	
	257342103207	BOLT	4	
	257642106501	CASTLE NUT	4	
		REPAIR KITS		

CHASSIS TYPE: 389277



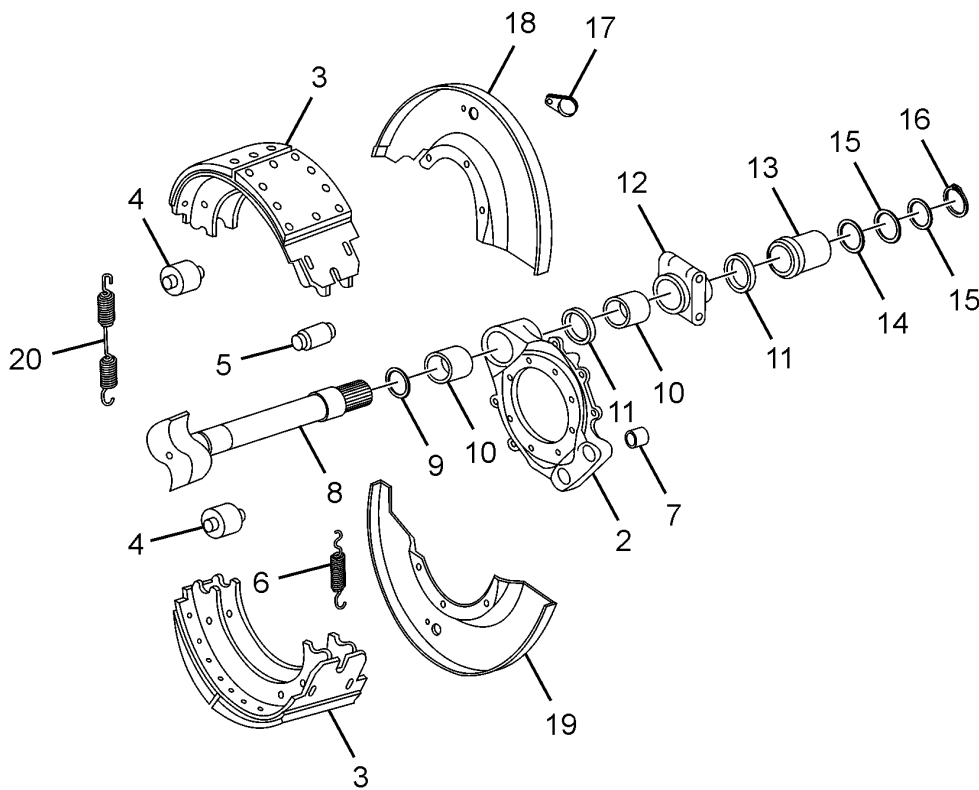
42.42.02.02		FRONT WHEEL BRAKE (AAL)		GROUP 42
CHASSIS TYPE: 389277				
FIG. NO.	PART NUMBER	DESCRIPTION	QTY	REMARKS
	257342100183	FRONT BRAKE OVERHAUL KIT (MINOR)	1	
		CONSISTS OF :		
	-	BRAKE LINING	8	
	-	RETAINING SPRING	4	
	-	RETURN SPRING	2	
	-	ROLLER	4	
	-	RETAINER	4	
	-	RIVETS	80	
	257342100148	SERVICE KIT (MINOR) FRONT CONSISTS OF :	1	
	-	SPRING (RETAINING)	4	
	-	SPRING (RETURN)	2	
	-	ROLLER (BRAKE SHOE)	4	
	-	RETAINER	4	
	-	PIN (RETURN SPRING)	4	
	257342100149	BRAKE SPRING KIT (FRONT) CONSISTS OF :	1	
	-	SPRING (RETAINING)	4	
	-	SPRING (RETURN)	2	
	-	RETAINER (SHOE ROLLER)	2	
	257342100150	SERVICE KIT FOR CAMSHAFT (FRONT) CONSISTS OF :	1	
	-	BUSH	4	
	-	SEAL	2	
	-	LOCK RING	2	
		BRAKE LINING SET		
	885442011616	SET OF BRAKE LININGS W/O RIVETS (WHEEL SET) FRONT STD NASB	1	FOR SELECTION
	885442021616	SET OF BRAKE LININGS W/O RIVETS (WHEEL SET) FRONT RS 1 NASB	1	FOR SELECTION
	885442031616	SET OF BRAKE LININGS W/O RIVETS (WHEEL SET) FRONT RS 2 NASB	1	FOR SELECTION

CHASSIS TYPE: 389068; 389067



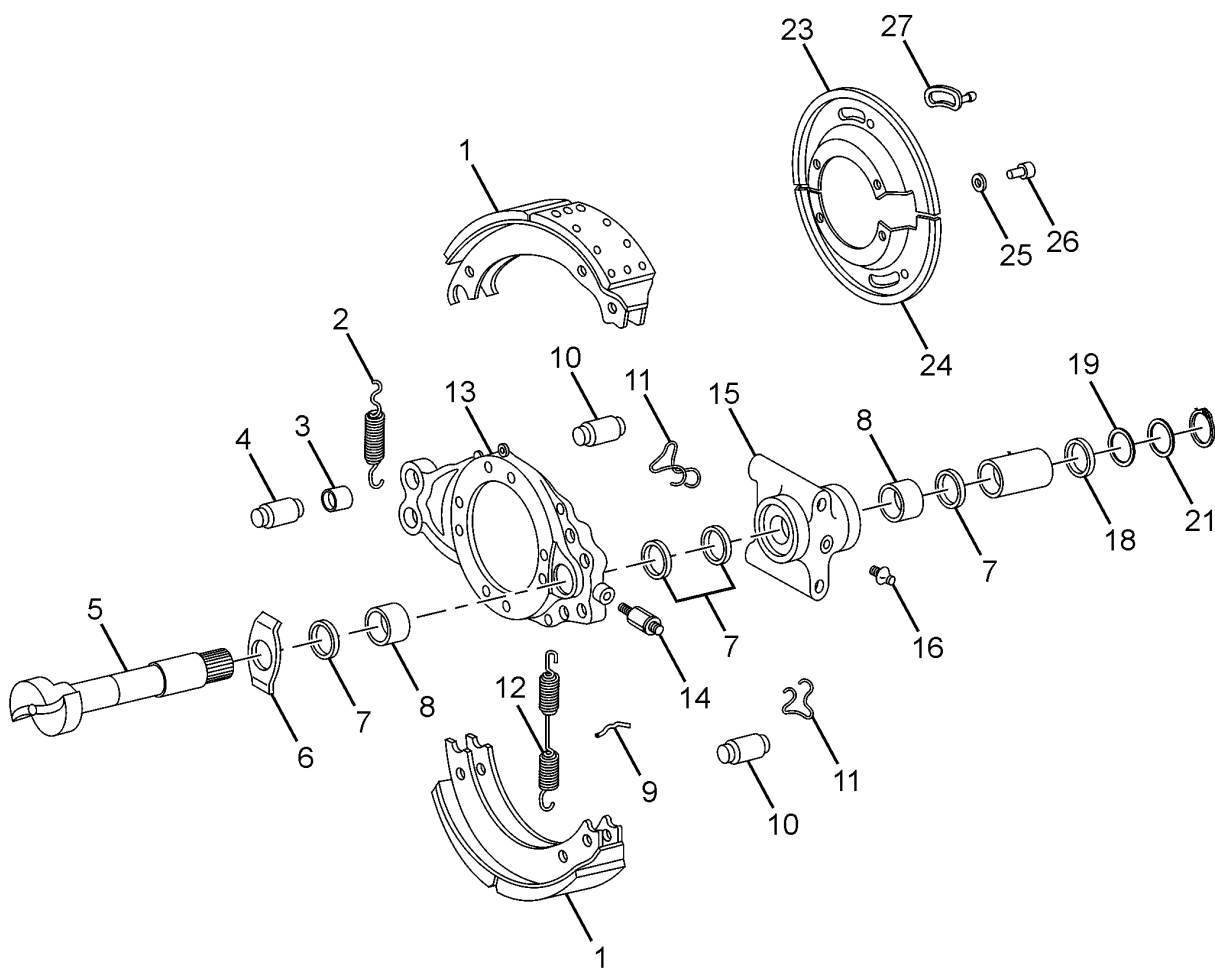
42.42.03.01		REAR WHEEL BRAKE (BIL)		GROUP 42
CHASSIS TYPE: 389068; 389067				
FIG. NO.	PART NUMBER	DESCRIPTION	QTY	REMARKS
	283942300202	ASSY.REAR DRUM BRAKE W/DUST COVER LH	1	
	283942300203	ASSY.REAR DRUM BRAKE W/DUST COVER RH	1	
2	257342313701	TORQUE PLATE LH / RH	2	
3	277842130106	ASSY. BRAKE SHOE WITH NON ASBESTOS BRAKE LINING (REAR)	4	
4	257342109902	ROLLER	4	
5	257342106724	FULCRUM PIN	4	
6	257342108704	SPRING PULL OFF, FULCRUM PIN	4	
7	257342103404	FULCRUM PIN BUSH	4	
8	257342307907	CAMSHAFT LH	1	
8	257342307908	CAMSHAFT RH	1	
9	257342107702	O' RING	2	
10	257342103404	DELRIN BUSH	4	
11	257342107801	OIL SEAL	6	
12	257342300190	CAMSHAFT BRACKET ASSY.	2	
13	257342308401	SLEEVE (SLACK ADJ. END)	2	
14	257342109209	WASHER	2	
15	257342108301	SHIM 0.5 MM	2	FOR SELECTION
15	257342108302	SHIM 1.0 MM	2	FOR SELECTION
16	257342104303	CIRCLIP	4	
17	257342107501	GROMMET	2	
18	257342318212	DUST COVER (TOP)	2	
19	257342318213	DUST COVER (BOTTOM)	2	
20	257342108705	SPRING PULL OFF CAM END	2	
		BRAKE LINING SET		
	885442041616	SET OF BRAKE LININGS W/O RIVETS (WHEEL SET) REAR STD NASB	1	FOR SELECTION
	885442051616	SET OF BRAKE LININGS W/O RIVETS (WHEEL SET) REAR RS 1 NASB	1	FOR SELECTION
	885442051616	SET OF BRAKE LININGS W/O RIVETS (WHEEL SET) REAR RS 2 NASB	1	FOR SELECTION

CHASSIS TYPE: 389277



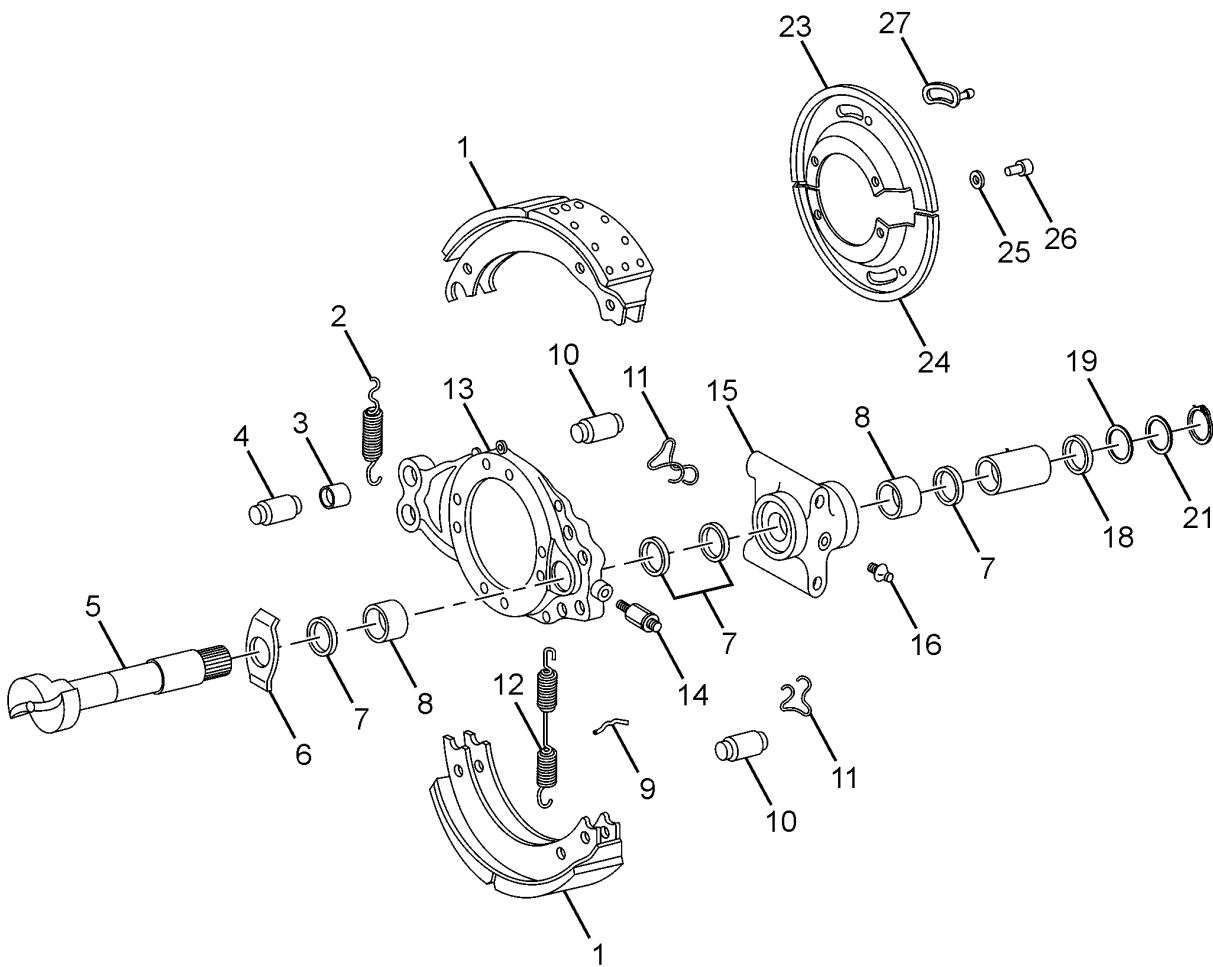
42.42.03.02		REAR WHEEL BRAKE		GROUP 42
CHASSIS TYPE: 389277				
FIG. NO.	PART NUMBER	DESCRIPTION	QTY	REMARKS
	288342300131	ASSY. R/A BRAEK LH WITH DUST COVER BIL	1	
	288342300130	ASSY. R/A BRAEK RH WIITH DUST COVER BIL	1	
2	257342313701	TORQUE PLATE LH / RH	2	
3	277842130106	ASSY. BRAKE SHOE WITH NON ASBESTOS BRAKE LINING (REAR)	4	
4	257342109902	ROLLER	4	
5	257342106724	FULCRUM PIN	4	
6	257342108704	SPRING PULL OFF, FULCRUM PIN	4	
7	257342103404	FULCRUM PIN BUSH	4	
8	283942307902	CAMSHAFT LH (SHORTER TYPE)	1	
8	283942307901	CAMSHAFT RH (SHORTER TYPE)	1	
9	257342107702	'O' RING	2	
10	257342103404	DELRIN BUSH	4	
11	257342107801	OIL SEAL	6	
12	257342300190	CAMSHAFT BRACKET ASSY.	2	
13	257342308401	SLEEVE (SLACK ADJ. END)	2	
14	257342109209	WASHER	2	
15	257342108301	SHIM 0.5 MM	2	FOR SELECTION
15	257342108302	SHIM 1.0 MM	2	FOR SELECTION
16	257342104303	CIRCLIP	4	
17	257342107501	GROMMET	2	
18	257342318212	DUST COVER (TOP)	2	
19	257342318213	DUST COVER (BOTTOM)	2	
20	257342108705	SPRING PULL OFF CAM END	2	
		BRAKE LINING SET		
	885442041616	SET OF BRAKE LININGS W/O RIVETS (WHEEL SET) REAR STD NASB	1	FOR SELECTION
	885442051616	SET OF BRAKE LININGS W/O RIVETS (WHEEL SET) REAR RS 1 NASB	1	FOR SELECTION
	885442061616	SET OF BRAKE LININGS W/O RIVETS (WHEEL SET) REAR RS 2 NASB	1	FOR SELECTION

CHASSIS TYPE: 389068; 389067



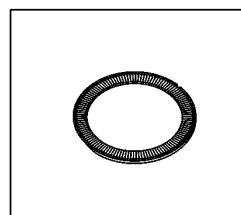
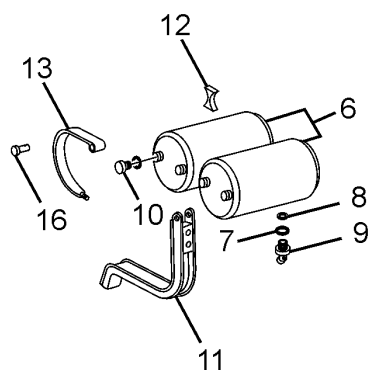
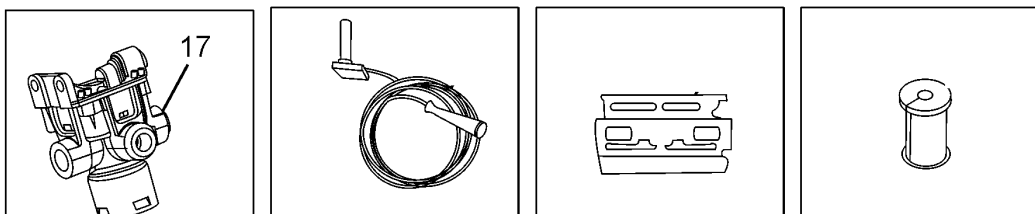
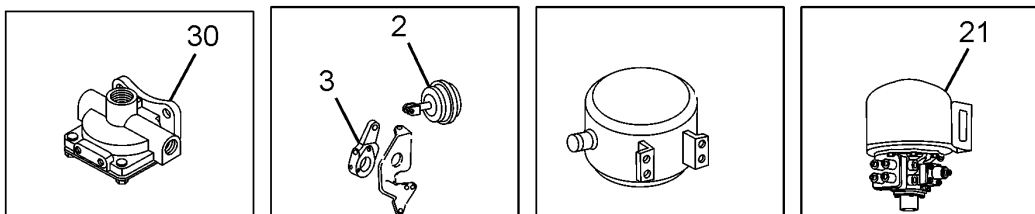
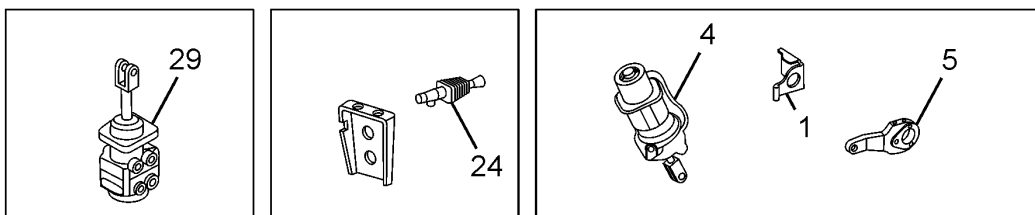
42.42.04A		REAR WHEEL BRAKE (AAL)		GROUP 42
CHASSIS TYPE: 389068; 389067				
FIG. NO.	PART NUMBER	DESCRIPTION	QTY	REMARKS
	284142300101	ASSY REAR AXLE BRAKE LH WITH DUST COVER	1	
	284142300102	ASSY REAR AXLE BRAKE RH WITH DUST COVER	1	
1	257342310148	BRAKE SHOE LINING & ROLLER ASSY.	4	
2	257342108708	SPRING (BRAKE SHOE RETURN)	4	
3	257342103401	BUSH (ANCHOR PIN)	4	
4	257342106723	ANCHOR PIN (BRAKE SHOE)	2	
5	263242307902	CAMSHAFT LH	1	
5	263242307901	CAMSHAFT RH	1	
6	257342109211	WASHER (CAM HEAD)	2	
7	257342107701	SEAL (CAMSHAFT)	2	
8	257342303403	BUSH (CAMSHAFT)	4	
9	257342103403	PIN (RETURN SPRING)	4	
10	257342107903	ROLLER (BRAKE SHOE)	4	
11	257342104301	RETAINER (BRAKE SHOE ROLLER)	4	
12	257342108703	RETURN SPRING (BRAKE SHOE)	2	
13	257342310149	SPIDER BRAKE LH/RH (COMMON)	2	
14	257342109901	FITTING GREASE (CHAMBER BRACKET)	2	
15	257342307123	PLUMMER BLOCK	2	
16	257342309906	FITTING GREASE (SPIDER)	2	
18	261842104301	LOCK RING (CAMSHAFT)	2	
19	261842109202	WASHER CAMSHAFT (THICK)	2	
	261842109203	WASHER	2	
21	261842109204	WASHER (HARDENED)	2	
23	257342308204	DUST SHIELD TOP	2	
24	257342308205	DUST SHIELD BOTTOM	2	
25	257342109208	WASHER	12	
27	257342106802	PLUG	2	
26	257342107405	RIVET	80	
		REPAIR KIT		
	257342310151	REAR BRAKE OVERHAUL KIT (MINOR)	1	
		CONSISTING OF :		
		BRAKE LINING	8	
		SPRING (RETAINING)	4	
		SPRING (RETURN)	2	
		ROLLER	4	
		RETAINER	4	
		RIVET	80	

CHASSIS TYPE: 389068; 389067



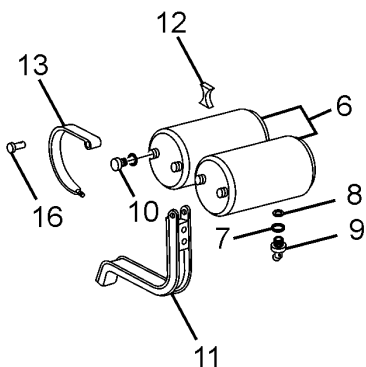
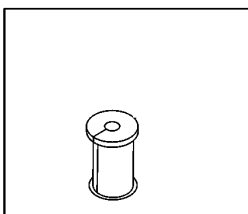
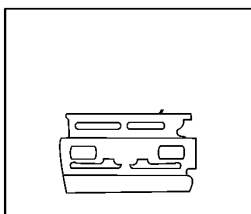
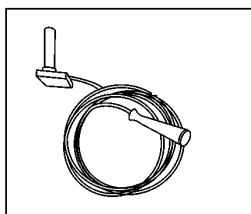
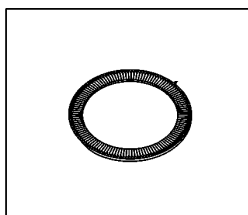
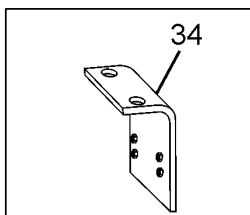
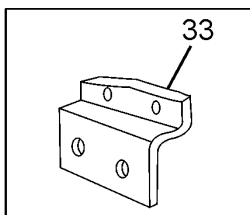
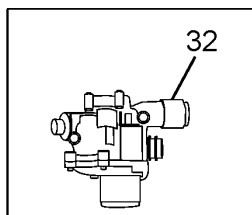
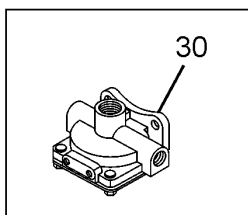
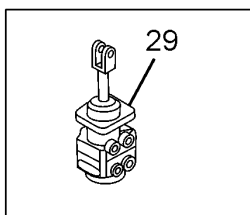
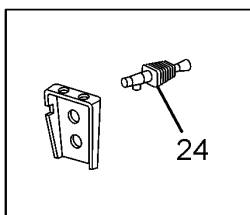
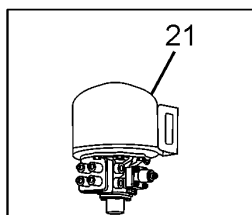
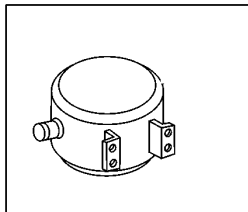
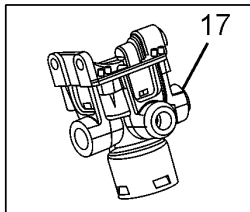
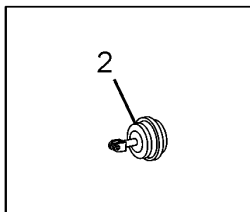
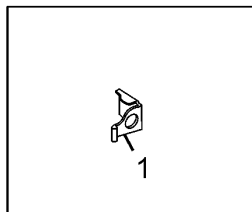
42.42.04A		REAR WHEEL BRAKE (AAL)		GROUP 42
CHASSIS TYPE: 389068; 389067				
FIG. NO.	PART NUMBER	DESCRIPTION	QTY	REMARKS
	257342100148	SERVICE KIT (MINOR) REAR CONSISTING OF :	1	
		SPRING (RETAINING)	4	
		SPRING (RETURN)	2	
		ROLLER (BRAKE SHOE)	4	
		RETAINER	4	
		PIN (RETURN SPRING)	1	
	257342100149	BRAKE SPRING KIT (REAR) CONSISTING OF :	1	
		SPRING (RETAINING)	4	
		SPRING (RETURN)	2	
		RETAINER	4	
	257342300183	SERVICE KIT CAMSHAFT (REAR) CONSISTING OF :	1	
		BUSH	4	
		SEAL	2	
		LOCK RING	2	
		BRAKE LINING SET		
	885442041616	SET OF BRAKE LININGS W/O RIVETS (WHEEL SET) REAR STD NASB	1	FOR SELECTION
	885442051616	SET OF BRAKE LININGS W/O RIVETS (WHEEL SET) REAR RS 1 NASB	1	FOR SELECTION
	885442061616	SET OF BRAKE LININGS W/O RIVETS (WHEEL SET) REAR RS 2 NASB	1	FOR SELECTION

CHASSIS TYPE: 389068; 389067



42.42.05A		BRAKE COMPONENTS		GROUP 42
CHASSIS TYPE: 389068; 389067				
FIG. NO.	PART NUMBER	DESCRIPTION	QTY	REMARKS
1	263242303706	BRAKE CHAMBER MOUNTING BRACKET AAL LH	1	
1	263242303707	BRAKE CHAMBER MOUNTIGN BRACKET RH AAL	1	
	278242303402	BUSH(CHAMBER MOUNTING BRACKET)	2	
2	278242100106	BRAKE CHAMBER (TYPE 24)	2	OPTIONAL
2	280642100101	BRAKE CHAMBER (TYPE 24)	2	OPTIONAL
3	277842301601	SLACK ADJUSTER FRONT	2	
4	278243700146	BRAKE ACTUATOR(VOSS-RH)24/75	2	
5	277842301601	SLACK ADJUSTER (REAR)	2	
6	275043900113	SUB ASSY.AIR TANK COMP-VOSS(220 SCD)-LHD	1	
7	257643509201	THRUST RING	4	
8	17050501175	O RING 20.30X2.62	4	
9	257643790159	WATER DRAIN VALVE (BRASS VERSION)	2	
10	16081002201	SEALING PLUG AM 22X1.5	2	
11	263242910108	ASSY. SUPPORT	2	
12	257643208602	SPACER BLOCK	2	
13	263242910107	ASSY. STRAP COMP.	2	
16	257643206702	PIN	2	
17	283943700118	RELAY VALVE VOSS(1 DEL.PORT	1	
21	278243700143	DRYING & DISTRI. UNIT HI PR VOSS (SCL)	1	
24	263243700188	GRADUATED HAND BRAKE VALVE	1	
29	263243700109	DUAL THDL VALVE (SCL-600920) VOSS	1	
30	278243700149	QUICK RELEASE VALVE VOSS-WT ADAPTOR	1	
-	131643200033	ASSY AIR TANK COMPLETE WITH DRAIN PLUG	1	

CHASSIS TYPE: 389277



42.42.05B		BRAKE COMPONENTS		GROUP 42
CHASSIS TYPE: 389277				
FIG. NO.	PART NUMBER	DESCRIPTION	QTY	REMARKS
1	283942303702	BRACKET LH-BRAKE CHAMBER MTG.	1	
1	283942303701	BRACKET RH-BRAKE CHAMBER MTG.	1	
	278242303402	BUSH(CHAMBER MOUNTING BRACKET)	2	
2	278242100106	BRAKE CHAMBER (TYPE 24)	2	
	257342100160	SLACK ADJUSTER FRONT	2	
	280842300105	BRAKE ACTUATOR 24/75 WT MET+VOSS RH	1	
	280842300106	BRAKE ACTUATOR 24/75 WT MET+VOSS LH	1	
	278242300128	SLACK ADJUSTER (REAR)	2	
6	275043900113	SUB ASSY.AIR TANK COMP-VOSS(220 SCD)-LHD	1	
6	216343200108	ASSY AIR TANK COMPL-RH (VOSS CONNECTOR)	1	
7	257643509201	THRUST RING	4	
8	17050501175	O RING 20.30X2.62	4	
9	257643790159	WATER DRAIN VALVE (BRASS VERSION)	3	
10	16081002201	SEALING PLUG AM 22X1.5	2	
11	263242910108	ASSY. SUPPORT	2	
12	257643208602	SPACER BLOCK	2	
13	263242910107	ASSY. STRAP COMP.	2	
16	257643206702	PIN	2	
17	278243700147	RELAY VALVE VOSS PORTS	1	
21	278243700143	DRYING & DISTRI. UNIT HI PR VOSS (SCL)	1	
24	263243700188	GRADUATED HAND BRAKE VALVE	1	
29	263243700109	DUAL THDL VALVE (SCL-600920) VOSS	1	
30	278243700149	QUICK RELEASE VALVE VOSS-WT ADAPTOR	1	
-	131643200033	ASSY AIR TANK COMPLETE WITH DRAIN PLUG	1	
32	284943700122	MODULATOR VALVE(VOSS+MET)24V	4	
33	275043700106	ASSY BKT - ABS MODULATOR VALVE FRONT-LH	1	
33	275043700107	ASSY BKT - ABS MODULATOR VALVE FRONT-RH	1	
34	280843700136	ASSY MTG BKT-MODULATOR VALVE REAR(2518)	2	

42.42.06A

BRAKE PIPE LINES

GROUP 42

CHASSIS TYPE: 389068; 389067

NO IMAGE

42.42.06A		BRAKE PIPE LINES		GROUP 42
CHASSIS TYPE: 389068; 389067				
FIG. NO.	PART NUMBER	DESCRIPTION	QTY	REMARKS
	275043900115	SET ASSY NYL PIPE COMP LPO1316-CL.BOOST	1	OPTIONAL
	275043900116	SET ASSY NYL PIPE COMP LPO1316-CL.BOOST	1	OPTIONAL
	257643506802	DOUBLE SOCKET	4	
	257342906810	SOCKET (FOR M16X1.5 TO M12X1.5)	1	
	257643506805	SOCKET	2	
	260843506801	DOUBLE SOCKET (M 16 X 1.5 TO 15 O.D.)	2	
	258742906801	ADAPTOR	1	
	206842906801	T-CONNECTOR (FOR STOP LIGHT SWITCH)	2	
	206042906817	T-CONNECTOR (ON SYSTEM PROT. VALVE)	1	
	131542900046	ASSY HOSE	1	
	207342900141	ASSY.TUBE(WITH CRIMPED R/HOSE COMPLETE)	1	
	207342900105	ASSY.TUBE 15 O.D. X 1570 LG.	1	
	207342900106	ASSY.TUBE 15 O.D. X 2700 LG.	1	
	131542000041	ASSY PIPE FROM AIR COMP. TO DDU(LAST PC)	1	
	257342950177	ASSY HOSE WITH END FITTINGS	1	
	131542000041	ASSY PIPE FROM AIR COMP. TO DDU(LAST PC)	1	

42.42.06B

BRAKE PIPE LINES

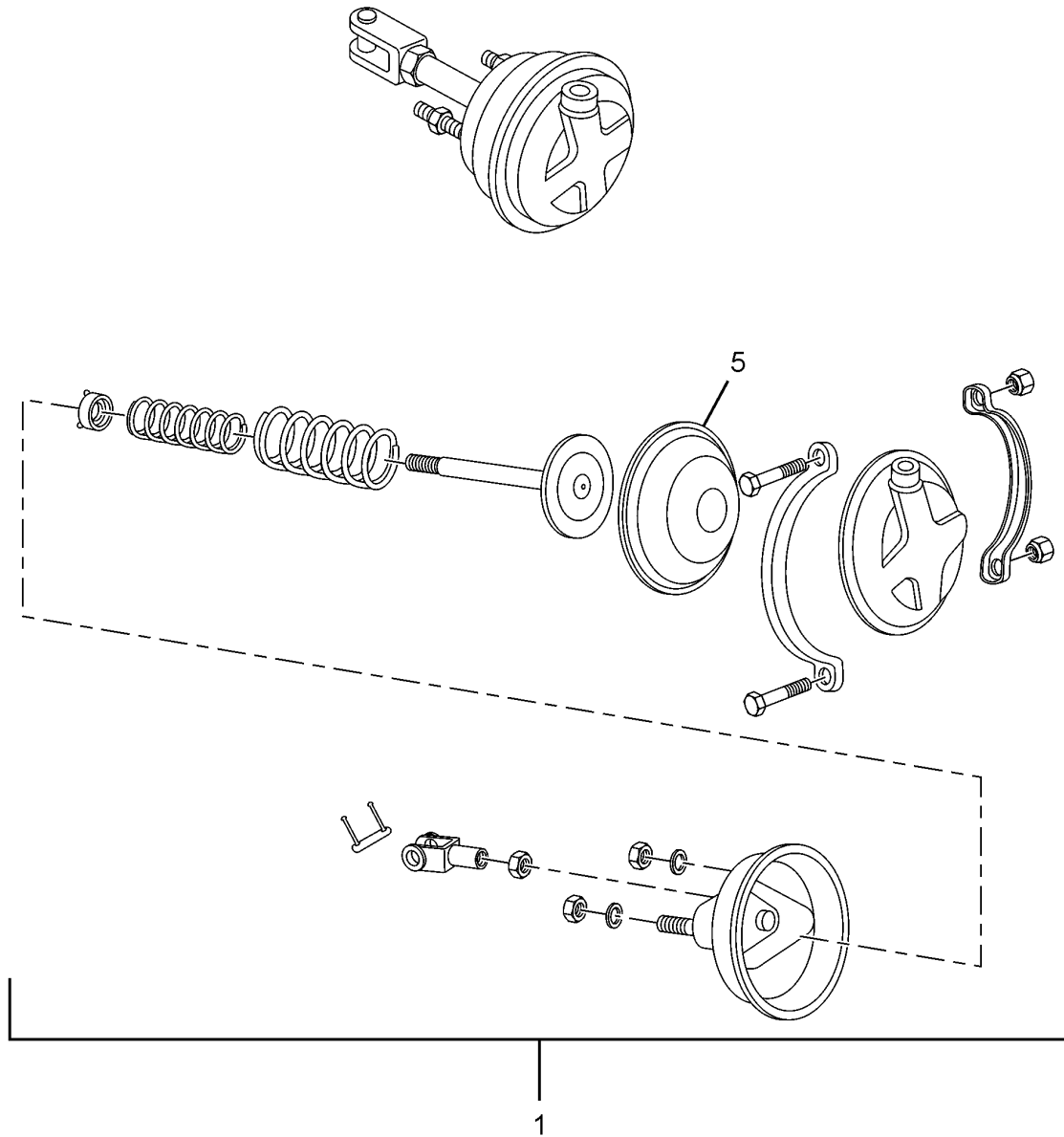
GROUP 42

CHASSIS TYPE: 389277

NO IMAGE

42.42.06B		BRAKE PIPE LINES		GROUP 42
CHASSIS TYPE: 389277				
FIG. NO.	PART NUMBER	DESCRIPTION	QTY	REMARKS
	275043900121	SET ASSY NYL PIPE COMP LPO1316-ABS	1	
	257643506802	DOUBLE SOCKET	4	
	257342906810	SOCKET (FOR M16X1.5 TO M12X1.5)	1	
	257643506805	SOCKET	2	
	260843506801	DOUBLE SOCKET (M 16 X 1.5 TO 15 O.D.)	2	
	258742906801	ADAPTOR	1	
	206842906801	T-CONNECTOR (FOR STOP LIGHT SWITCH)	2	
	206042906817	T-CONNECTOR (ON SYSTEM PROT. VALVE)	1	
	131542900046	ASSY HOSE	1	
	207342900141	ASSY.TUBE(WITH CRIMPED R/HOSE COMPLETE)	1	
	207342900105	ASSY.TUBE 15 O.D. X 1570 LG.	1	
	207342900106	ASSY.TUBE 15 O.D. X 2700 LG.	1	
	131542000041	ASSY PIPE FROM AIR COMP. TO DDU(LAST PC)	1	
	257342950177	ASSY HOSE WITH END FITTINGS	1	
	131542000041	ASSY PIPE FROM AIR COMP. TO DDU(LAST PC)	1	

CHASSIS TYPE: ALL

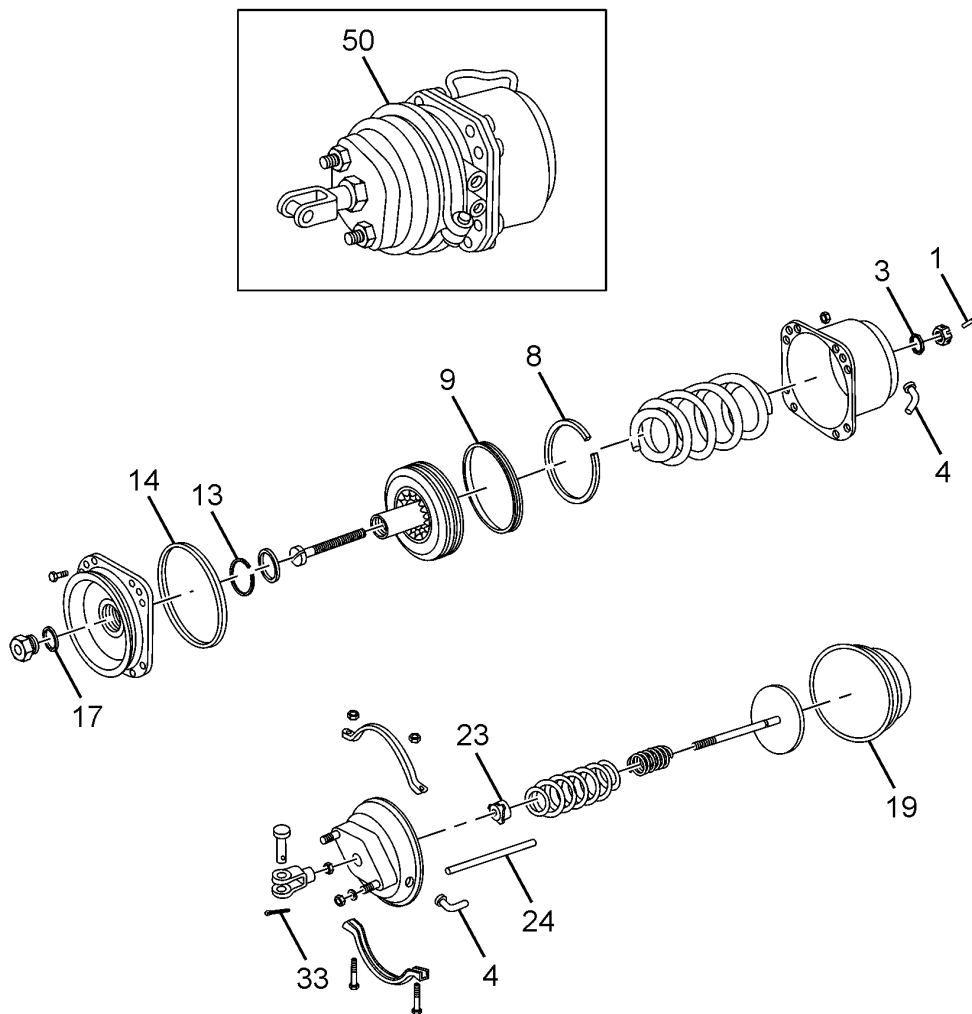


42.42.07	FRONT BRAKE CHAMBER	GROUP 42
----------	---------------------	----------

CHASSIS TYPE: ALL

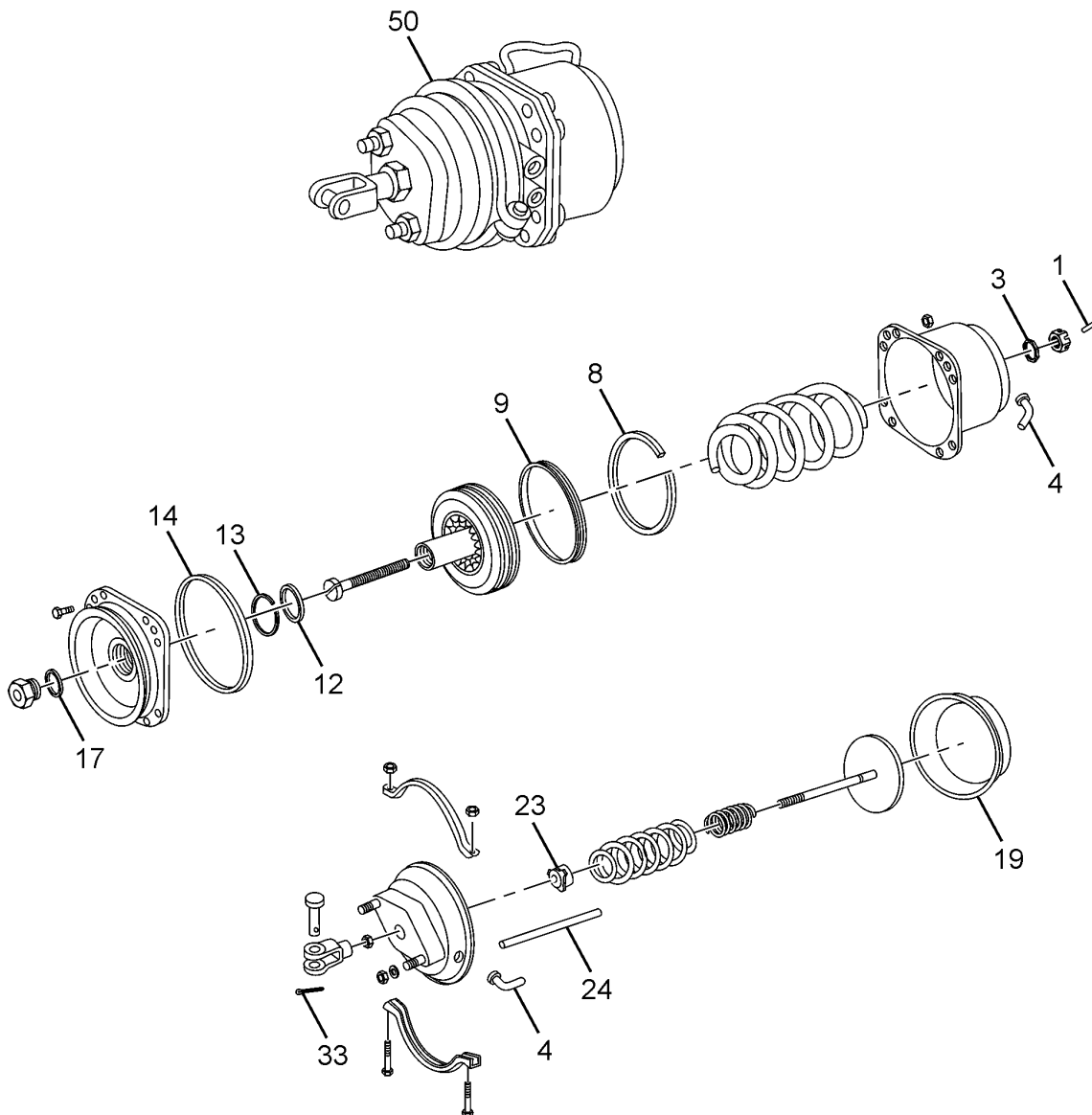
FIG. NO.	PART NUMBER	DESCRIPTION	QTY	REMARKS
1	278242100106	ASSY. FRONT BRAKE CHAMBER (TYPE 24)	2	
5	257343707724	DIAPHRAGM	1	

CHASSIS TYPE: 389068; 389067



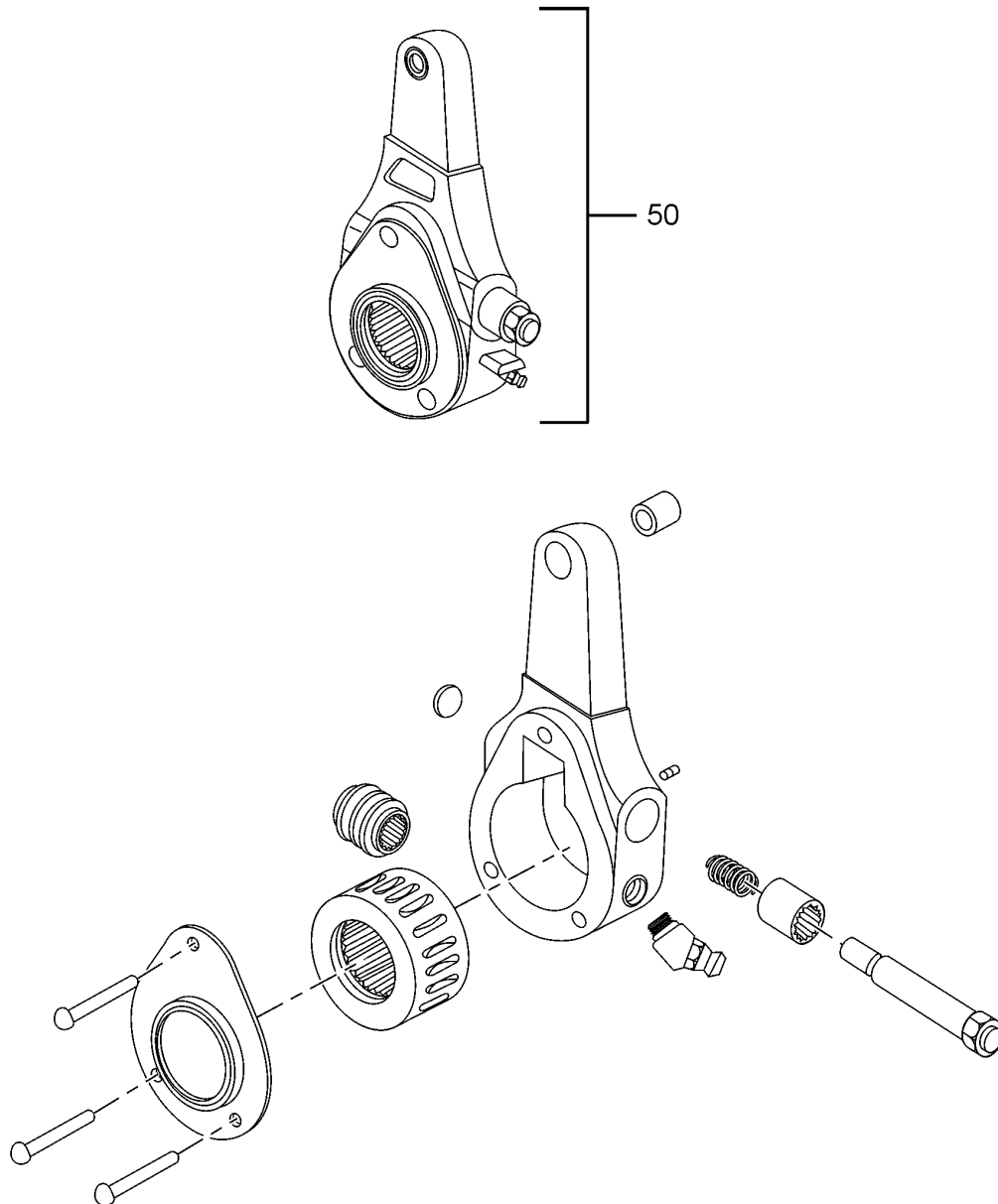
42.42.08		REAR BRAKE ACTUATOR		GROUP 42
CHASSIS TYPE: 389068; 389067				
FIG. NO.	PART NUMBER	DESCRIPTION	QTY	REMARKS
50	278243700146	ASSY. REAR BRAKE ACTUATOR	2	
	261842300132	REPAIR KIT FOR REAR SPRING BRAKE ACTUATOR CONSISTING OF :	1	
1	-	KNURL PIN	1	
3	-	SEALING WASHER	1	
4	-	ELBOW	2	
8	-	BEARING	1	
9	-	SEAL	1	
13	-	BEARING	1	
14	-	SEALING RING	1	
17	-	O' RING	1	
19	-	DIAPHRAGM	1	
23	-	SEAL	1	
24	-	TUBE	1	
33	-	SPLIT PIN	1	
	-	GREASE SACHET	4	

CHASSIS TYPE: 389277



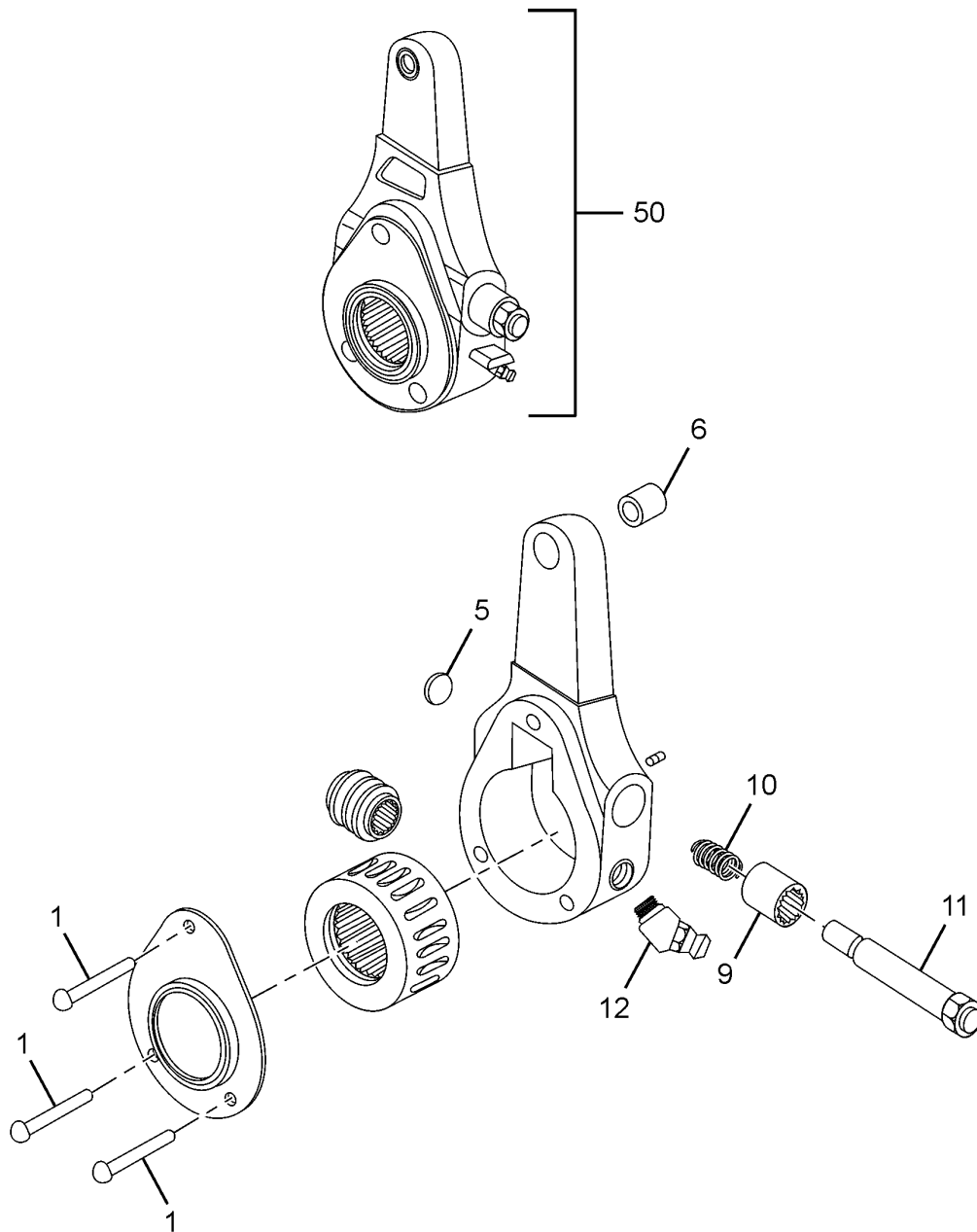
42.42.09		REAR BRAKE ACTUATOR (VOSS)		GROUP 42
CHASSIS TYPE: 389277				
FIG. NO.	PART NUMBER	DESCRIPTION	QTY	REMARKS
50	280842300105	BRAKE ACTUATOR 24/75 WT MET+VOSS RH	1	
50	280842300106	BRAKE ACTUATOR 24/75 WT MET+VOSS LH	1	
	263243910169	REPAIR KIT SPRING BRAKE ACTUATOR TYPE-24/75,CONSISTS OF:	1	
1	-	KNURL PIN	1	
3	-	SEALING WASHER	1	
4	-	ELBOW	2	
8	-	BEARING	1	
9	-	INTEGRAL SEAL	1	
14	-	SEALING RING	1	
13	-	BEARING	1	
12	-	SEALING RING	1	
17	-	SEALING RING	1	
19	-	DIAPHRAGM	1	
23	-	DUST SEAL	1	
24	-	TUBE	1	
	-	CHECK VALVE	1	
	-	GAITER	1	
33	-	SPLIT PIN	1	
	-	NG12 RETAINING CLIP	2	
	-	SPRING ELEMENT	2	
	-	P2C FITTING	2	
	-	GREASE SACHET	4	

CHASSIS TYPE: 389068; 389067



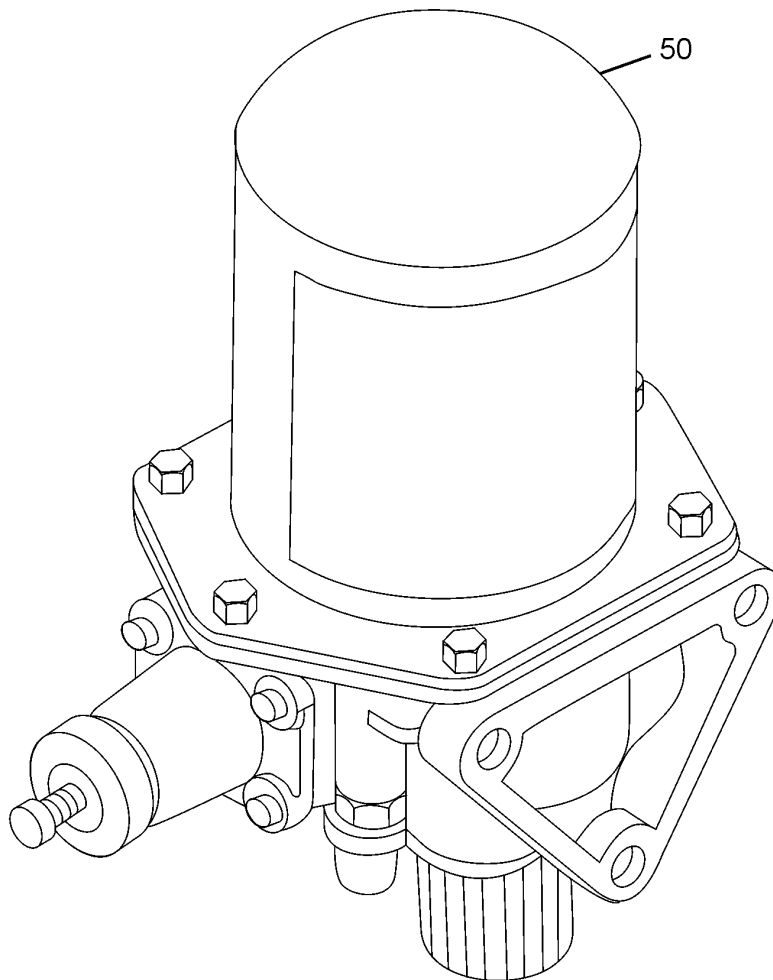
42.42.10		SLACK ADJUSTER (FRONT AND REAR)		GROUP 42
CHASSIS TYPE: 389068; 389067				
FIG. NO.	PART NUMBER	DESCRIPTION	QTY	REMARKS
50	277842301601	SLACK ADJUSTER FRONT	4	
	277842300168	MAJOR KIT-AUTO. SLACK ADJUSTER (HALDEX)	1	
		ASSY.REGULATOR WHEEL	1	
		NEEDLE BEARING-AUTO.ADJ.	1	
		BUSHING 12.7 MM	1	
		CONTROL ARM BUSHING	1	
		FRONT COVER-AUTO.ADJUSTER	1	
		REAR COVER-AUTO.ADJUSTER	1	
		GASKET-AUTO ADJUSTER	1	
		CLUTCH WHEEL-AUTO ADJUSTER	1	
		RIVET-AUTO ADJUSTER	2	
		O'RING 12X3-AUTO.ADJUSTER	1	
		O'RING 44.2X3-AUTO ADJUSTER	2	
		TORX SCREW-AUTO.ADJUSTER	7	
		COIL SPRING-AUTO.ADJUSTER	1	
		THRUST WASHER-AUTO.ADJ.	1	
	277842300172	MINOR KIT-AUTO.SLACK ADJUSTER	1	
		GASKET-AUTO ADJUSTER	1	
		RIVET-AUTO ADJUSTER	2	
		O'RING 12X3-AUTO.ADJUSTER	1	
	O'RING 44.2X3-AUTO ADJUSTER	2		

CHASSIS TYPE: 389277



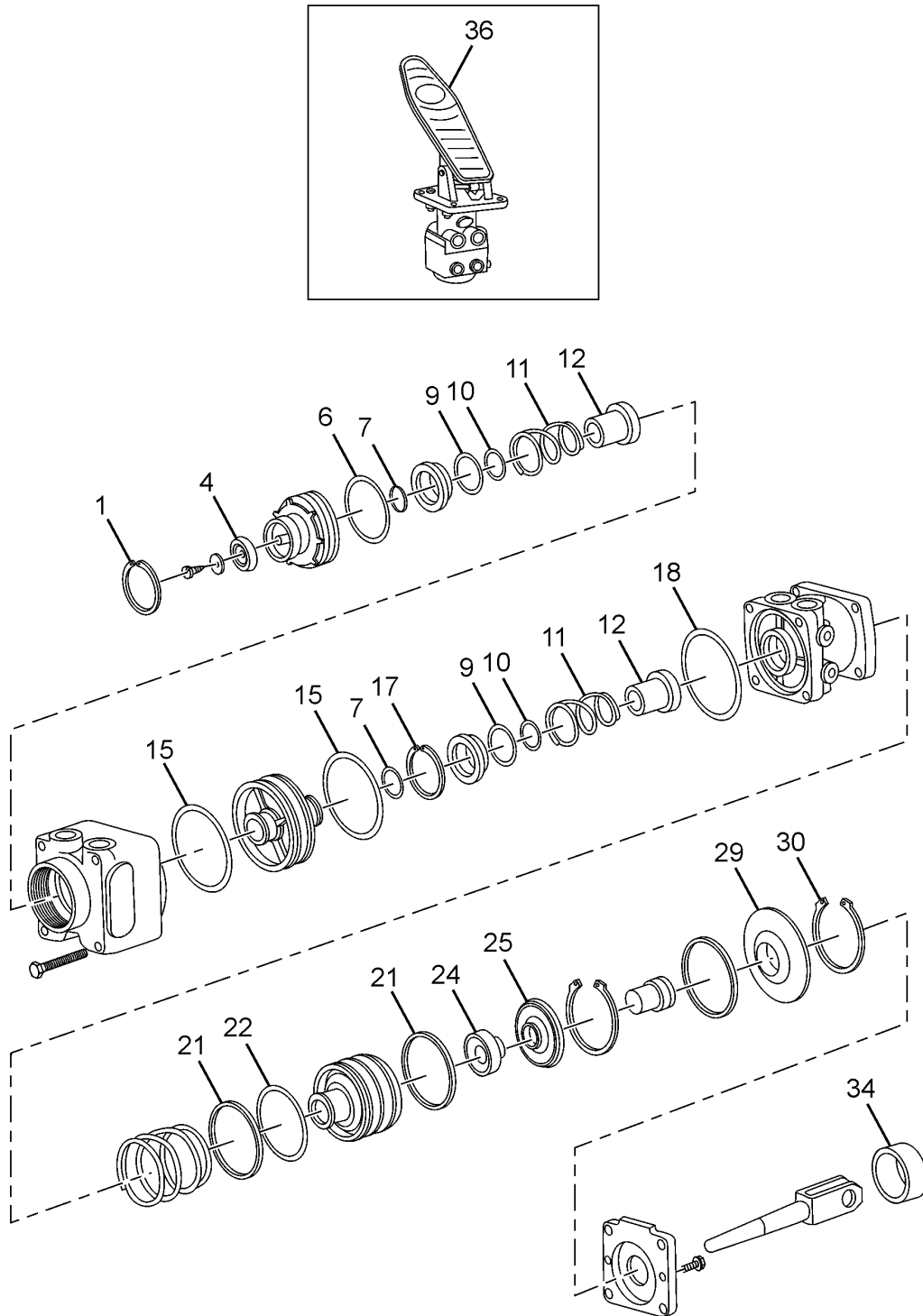
42.42.11		SLACK ADJUSTER (FRONT AND REAR)		GROUP 42
CHASSIS TYPE: 389277				
FIG. NO.	PART NUMBER	DESCRIPTION	QTY	REMARKS
50	257342100160	SLACK ADJUSTER FRONT(MANUAL)	2	
50	278242300128	SLACK ADJUSTER REAR (MANUAL)	2	
50	277842100159	ASSY.SLACK ADJUSTER STRIGHT (AUTO-KB)	4	
-	257342100168	REPAIR KIT SLACK ADJUSTER CONSISTS OF :	1	
1	NI1	RIVET	3	
5	NI2	WELCH PLUG	1	
6	NI3	BUSH	1	
	NI4	PIN	1	
9	NI5	LOCK (WORM SHAFT)	1	
10	NI6	SPRING	1	
11	NI7	WORM SHAFT	1	
12	NI8	LUBRICATING NIPPLE	1	

CHASSIS TYPE: ALL



42.42.12		AIR DRYER/ DRYING AND DISTRIBUTION UNIT		GROUP 42
CHASSIS TYPE: ALL				
FIG. NO.	PART NUMBER	DESCRIPTION	QTY	REMARKS
50	278243700143	DRYING AND DISTRIBUTION UNIT. HI PR VOSS (SCL)	1	
		REPAIR KIT FOR DRYING AND DISTRIBUTION UNIT		
	278243700188	REPAIR KIT DRYING AND DISTRIBUTION UNIT (SCL) VOSS	1	
		DESSICANT CARTRDGE	1	
		SEALING RING	1	
		SEALING RING	1	
		O'RING	1	
		FILTER-DDU	1	
		SEALING RING	1	
		SPHERICAL VALVE	1	
		SILENCER ASSY	1	
		RETAING CLIP NG8	1	
		SPRING ELEMENT NG8	1	
		SEALING RING	1	
		EXHAUST FLAP VALVE	1	
		DIAPHRAGM	1	
		GASKET-ULVTI	1	
		SEALING RING	1	
		SPECIAL WASHER	1	
		O'RING	1	
		SPHERICAL VALVE	1	
		GASKET-QSPV	1	
		DIAPHRAGM-QSPV	1	
		SEALING RING	1	
		SEALING RING NG12	1	
		SPRING ELEMENT NG8	1	
		RETAING CLIP	1	
		COMPRESSION SPRING	1	
		VALVE SEAT	1	
		VALVE	1	
		SPRING FOR SP. VALVE	1	
		LIP SEAL	1	
		SPRING	1	
	SEALING RING NG12	1		
	SEALING RING NG12	1		
	SEALING RING NG8	1		
	SEALING RING NG8	2		
	GREASE SACHET	1		

CHASSIS TYPE: ALL



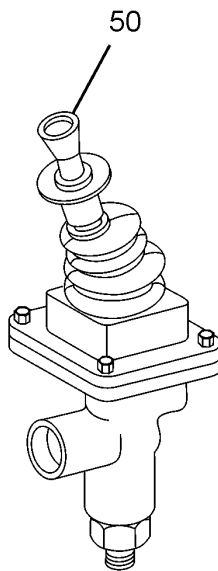
42.42.13		DUAL BRAKE VALVE		GROUP 42
CHASSIS TYPE: ALL				
FIG. NO.	PART NUMBER	DESCRIPTION	QTY	REMARKS
36	263243700109	DUAL THDL VALVE (VOSS)	1	
	257643730134	REPAIR KIT FOR DUAL BRAKE VALVE	1	
		CONSISTS OF :		
1	-	CIRCLIP	1	
4	-	WASHER	1	
6	-	SEALING RING	2	
7	-	SEALING RING	2	
9	-	SEALING RING	2	
10	-	SEALING RING	2	
11	-	SPRING	2	
12	-	VALVE	2	
15	-	SEALING RING	2	
17	-	CIRCLIP	1	
18	-	SEALING RING	1	
21	-	GUIDE RING	2	
22	-	SEALING RING	1	
24	-	RUBBER SPRING	1	
25	-	SPRING SEAT	1	
	-	CIRCLIP	1	
29	-	BOOT	1	
30	-	CIRCLIP	1	
	-	SPLIT PIN	4	
34	-	BOOT	1	
	-	GREASE SACHET	2	

42.42.14A

GRADUATED HAND VALVE

GROUP 42

CHASSIS TYPE: 389068; 389067



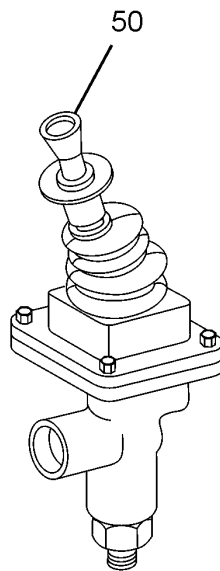
42.42.14A		GRADUATED HAND VALVE		GROUP 42
CHASSIS TYPE: 389068; 389067				
FIG. NO.	PART NUMBER	DESCRIPTION	QTY	REMARKS
50	263243700188	GRADUATED HAND BRAKE VALVE	1	
	263243910171	REPAIR KIT-GR HAND BR VALVE	1	
-		SEALING RING	1	
-		SEALING WASHER	1	
-		RETAING CLIP NG8	1	
-		RETAING CLIP	1	
-		SEALING RING	1	
-		SEALING RING NG12	1	
-		SEALING RING NG12	1	
-		SEALING RING NG8	1	
-		SEALING RING NG8	1	
-		SPRING	1	
-		TENSION PIN	1	
-		SEALING RING	2	
-		SPRING	2	
-		VALVE	1	
-		STRAINER PLATE	1	
-		SPLIT PIN	1	
-		FILTER	1	
-		GAITER	1	
-		SEALING RING NG-12	1	
-		SHIM	AR	FOR SELECTION
-		SHIM	AR	FOR SELECTION
-		SHIM	AR	FOR SELECTION
-		SPRING ELEMENT NG8	1	
-		SPRING ELEMENT NG8	1	
-		GREASE SACHET	1	

42.42.14B

GRADUATED HAND VALVE

GROUP 42

CHASSIS TYPE: 389277



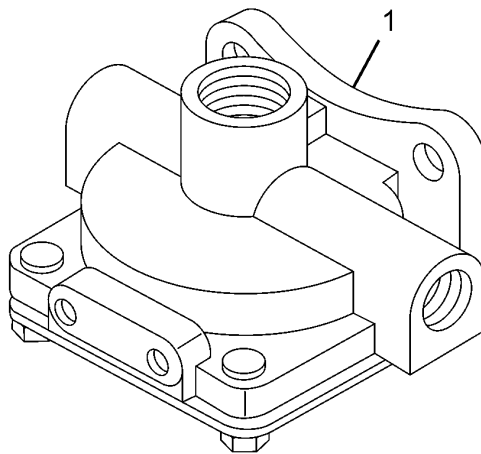
42.42.14B		GRADUATED HAND VALVE		GROUP 42
CHASSIS TYPE: 389277				
FIG. NO.	PART NUMBER	DESCRIPTION	QTY	REMARKS
50	263243700188	GRADUATED HAND BRAKE VALVE	1	
	263243910171	REPAIR KIT-GR HAND BR VALVE	1	
-		SEALING RING	1	
-		SEALING WASHER	1	
-		RETAING CLIP NG8	2	
-		RETAING CLIP	2	
-		SEALING RING	2	
-		SEALING RING NG12	2	
-		SEALING RING NG12	2	
-		SEALING RING NG8	2	
-		SEALING RING NG8	2	
-		SPRING	1	
-		TENSION PIN	1	
-		SEALING RING	2	
-		SPRING	1	
-		VALVE	1	
-		STRAINER PLATE	1	
-		SPLIT PIN	1	
-		FILTER	1	
-		GAITER	1	
-		SEALING RING NG-12	4	
-		SHIM	1	FOR SELECTION
-		SHIM	2	FOR SELECTION

42.42.15

QUICK RELEASE VALVE

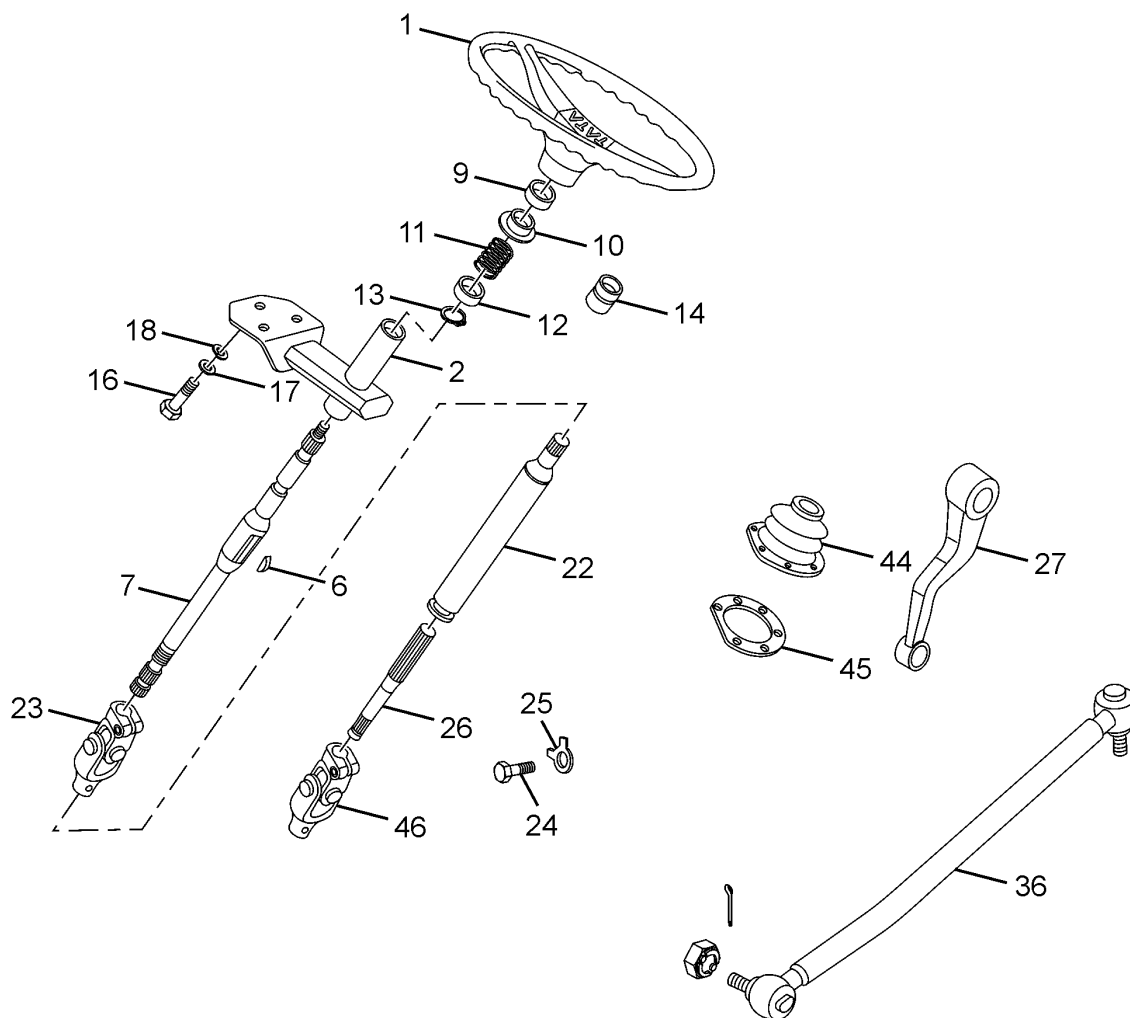
GROUP 42

CHASSIS TYPE: ALL



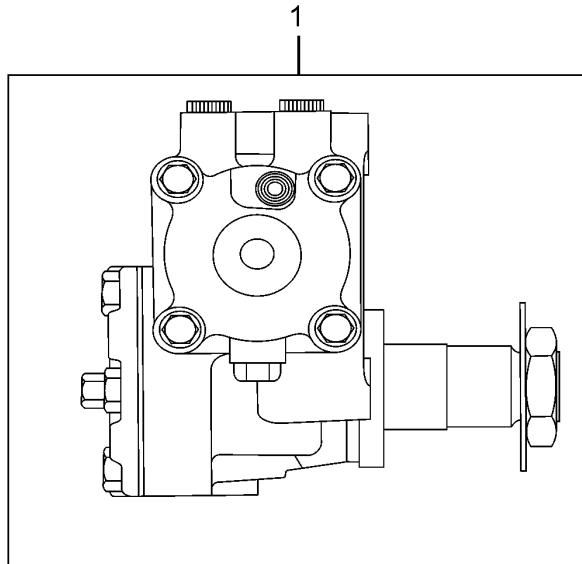
42.42.15		QUICK RELEASE VALVE		GROUP 42
CHASSIS TYPE: ALL				
FIG. NO.	PART NUMBER	DESCRIPTION	QTY	REMARKS
1	278243700149	QUICK RELEASE VALVE VOSS-WT ADAPTOR	1	
	263242910189	REPAIR KIT, QUICK RELEASE VALVE CONSISTING OF:	1	
	-	DIAPHRAGM	1	
	-	SEALING RING	1	

CHASSIS TYPE: ALL



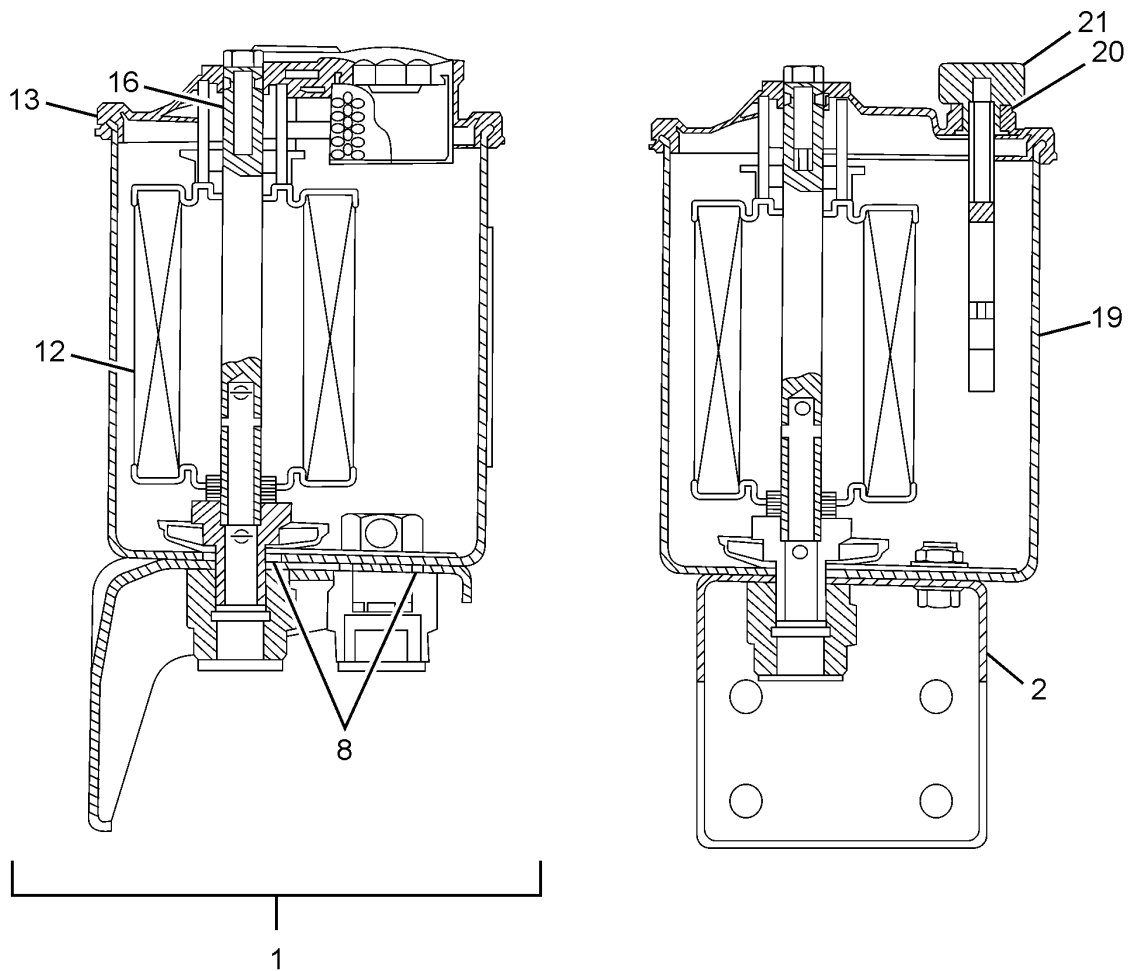
46.46.01		STEERING LINKAGES		GROUP 46
CHASSIS TYPE: ALL				
FIG. NO.	PART NUMBER	DESCRIPTION	QTY	REMARKS
1	263246400102	ASSY. STEERING WHEEL	1	
2	216346100101	ASSY. STEERING COLUMN SUPPORT	1	
-	12056102203	LOCK NUT M22X1.5	1	
6	13650596018	WOODRUFF KEY 5X7.5	1	
7	263246207905	STEERING SPINDLE TOP	1	
-	263246206301	CAM	1	
9	264146207920	SPACER	1	
10	265446209915	SPRING SEAT	1	
11	265446208711	COMPRESSION SPRING	1	
12	265446208278	SPRING SEAT CUP	1	
13	14550602009	EXT. CIRCLIP 20X1.2 N	1	
14	264046203102	SRDG BEARING	2	
16	11323998045	HEX. SCREW M 10X25	3	
17	12460501057	BRIGHT WASHER 10.5	3	
18	12520698050	SPRING WASHER B10	3	
22	263246200105	ASSY STEERING SPINDLE MIDDLE	1	
23	257346200108	ASSY. U.J. STEERING	1	
-	263246206302	RUBBER BELLOW	1	
-	265146603201	BOLT	2	
24	3219900401	HEX. SCREW	2	
25	12580601055	TAB WASHER 10.5	2	
26	209146207905	STEERING SPINDLE (BOTTOM) 240MM	1	
27	206346305105	PITMAN ARM	1	
36	277846000101	DRAG LINK ASSEMBLY - RHD (M/S RANE)	1	
-	275046100103	ASSY BKT STEERING G/BOX MTG	1	
-	257346108002	HER SCREW	4	
44	278246106302	RUBBER BELLOW	1	
45	257346108209	CLAMPING RING	1	
-	263246206302	RUBBER BELLOW	1	
-	263246107501	PROTECTIVE COVER	1	
46	265146600102	ASSY. U.J. STEERING	1	

CHASSIS TYPE: ALL



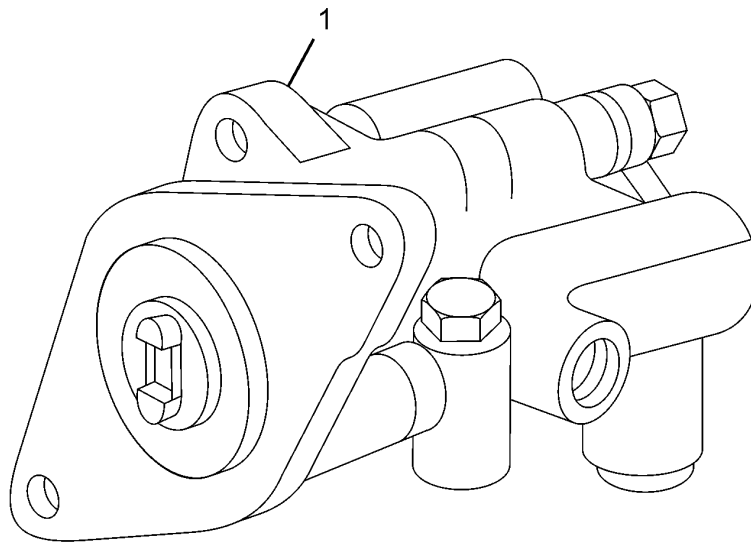
46.46.02		STEERING GEAR BOX		GROUP 46	
CHASSIS TYPE: ALL					
FIG. NO.	PART NUMBER	DESCRIPTION	QTY	REMARKS	
1	287946600101	ASSY POWER STEERING GEAR BOX	1		

CHASSIS TYPE: ALL



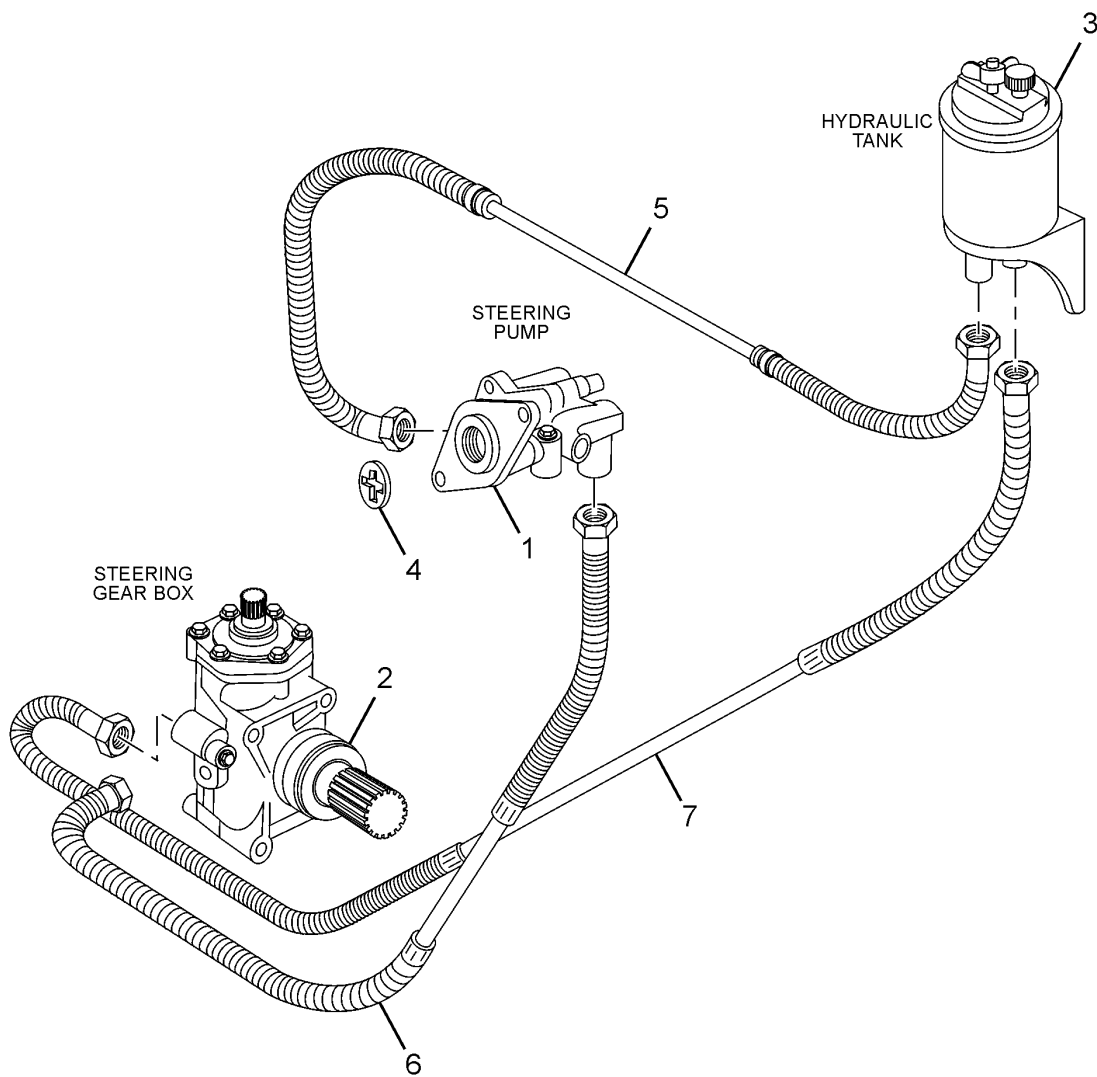
46.46.03		ASSY. HYDRAULIC POWER STEERING TANK		GROUP 46
CHASSIS TYPE: ALL				
FIG. NO.	PART NUMBER	DESCRIPTION	QTY	REMARKS
1	277046600102	ASSY. HYDRAULIC POWER STEERING TANK (PLASTIC VERSION)	1	
	257344500106	SERVICE KIT CONSISTING OF :	1	
2	-	'O' RING	2	
8	-	'O' RING	2	
12	257344500107	FILTER ASSY. (77 MM)	1	
13	-	COVER SEAL	1	
16	-	STEEL + RUBBER + WASHER	1	
19	257344500111	DIPSTICK ASSY. (FOR 77 MM FILTER)	1	
20	-	'O' RING	1	
21	-	'O' RING CUP	1	

CHASSIS TYPE: ALL



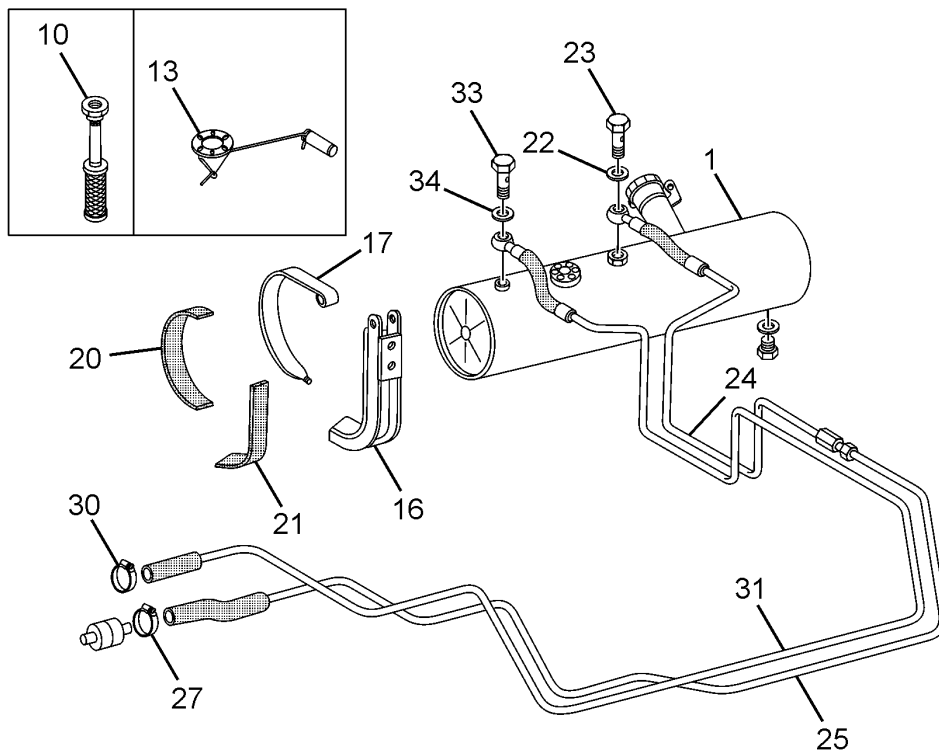
46.46.04		POWER STEERING PUMP		GROUP 46
CHASSIS TYPE: ALL				
FIG. NO.	PART NUMBER	DESCRIPTION	QTY	REMARKS
1	275446600101	ASSY POWER STEERING PUMP (DIRECT DRIVE) (RANE)	1	
	275546604601	COUPLING (DRIVE)	1	
	261846600110	POWER STEERING PUMP SEAL KIT (RANE) CONSISTS OF :	1	
	-	DOUBLE LIP OIL SEAL	1	
	-	O'RING	1	

CHASSIS TYPE: ALL



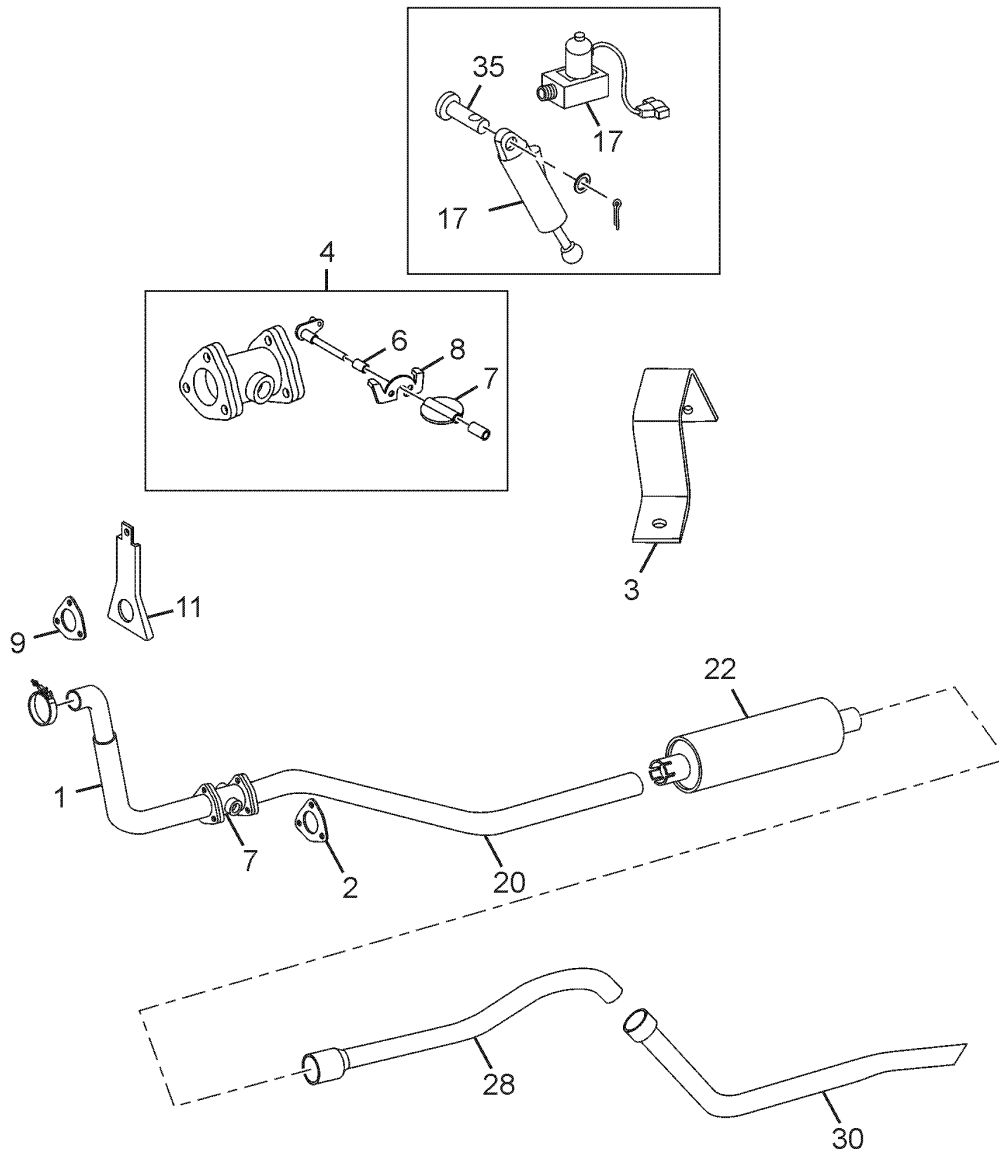
46.46.05		POWER STEERING PIPE LINES (LHD)		GROUP 46
CHASSIS TYPE: ALL				
FIG. NO.	PART NUMBER	DESCRIPTION	QTY	REMARKS
1	275446600101	ASSY POWER STEERING PUMP (DIRECT DRIVE) (RANE)	1	
2	287946600101	ASSY POWER STEERING GEAR BOX M/S FORNI	1	
3	277046600102	ASSY.STG.TANK(PLASTIC VERSION)-M/S RANE	1	
4	275546604601	COUPLING (DRIVE) FROM HYDRULIC TANK TO POWER STEERING PUMP	1	
5	257344106801	DOUBLE SOCKET	1	
	275046800104	ASSY. PIPE (TANK TO PUMP) (18 MM DIA)	1	
	206044106803	BANJO BODY	1	
	206044106807	SPACIAL BANJO	1	
	206044100179	ASSY. PLUG	1	
	275142900101	HOSE ASSY	1	
	207344100101	ASSY. TUBE (TANK TO PUMP) (18 MM DIA X 1460 MM LONG)	1	
	206044105806	HOSE (TANK TO PUMP) (300 MM LONG)	1	
	207344100102	ASSY. TUBE (TANK TO PUMP) (18 MM DIA X 1460 MM LONG)	1	
	257646806803	ELBOW PUMP TO GEAR BOX	1	
6	257344106804	DOUBLE SOCJET	1	
	275046800105	ASSY. PIPE (PUMP TO GEAR BOX)	1	
	257446800104	ASSY 3/8" HOSE (PUMP TO GEARBOX)	1	
	207344100103	ASSY. TUBE (PUMP TO GEARBOX) (15 MM DIA X 1460 MM LONG)	1	
	257646806801	BANJO BODY	1	
	206044106801	SPACIAL BANJO	1	
	206044100179	ASSY. PLUG GEAR BOX TO TANK	1	
7	275046800106	ASSY. PIPE (GEAR BOX TO TANK)	1	
	257646806801	BANJO BODY	1	
	257646806802	BANJO	1	
	207344100104	ASSY. TUBE (GEARBOX TO TANK) (15 MM DIA X 1820 MM LONG)	1	
	257446800104	ASSY HOSE (GEARBOX TO TANK) (3/8)	1	

CHASSIS TYPE: ALL



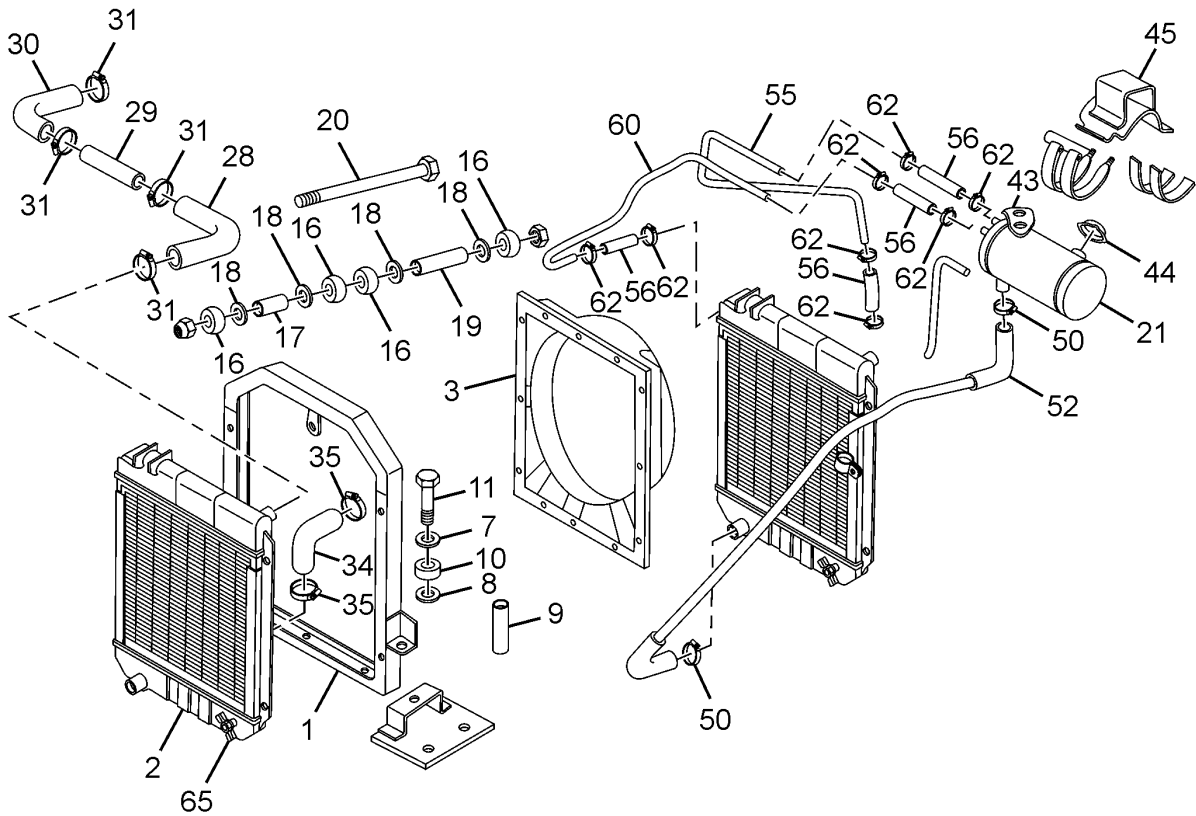
47.47.01		FUEL SYSTEM		GROUP 47	
CHASSIS TYPE: ALL					
FIG. NO.	PART NUMBER	DESCRIPTION	QTY	REMARKS	
1	275147100101	ASSY. FUEL TANK COMPLETE 250 LITRE (ROUND)	1		
10	275147100106	ASSY SUCTION TUBE (INSIDE FUEL TANK)	1		
13	257354200150	TANK UNIT ASSY	1		
16	131647500001	ASSY.SUPPORT with Rubber Packing for F/T	3		
17	0124700440J	ASSY.STRAP(FUEL TANK 430 DIA.)	3		
20	257447507702	RUBBER PACKING	3		
21	257447507704	RUBBER PACKING	3		
		FUEL TANK SUCTION PORT TO FUEL PRE FILTER			
22	16220710282	SEALING WASHER 18 X 22 CU	2		
23	206847107202	BANJO BOLT	1		
24	207347600115	ASSY FUEL LINE (FROM FUEL TANK TO INTERMEDIATE JOINT)	1		
25	207347600116	ASSY FUEL LINE (INTERMEDIATE JOINT TO BABY FILTER)	1		
27	14270202102	HOSE CLAMP 21	1		
		RETURN LINE FROM ENGINE TO FUEL TANK RETURN PORT			
30	14280500161	HOSE CLAMP 16	1		
31	207347600117	FUEL RETURN LINE (FROM ENGINE TO INTERMEDIATE JOINT)	1		
33	275147600103	ASSY. PIPE UNION BOLT	1		
34	16220510216	SEALING WASHER 14X18 AL	2		

CHASSIS TYPE: ALL



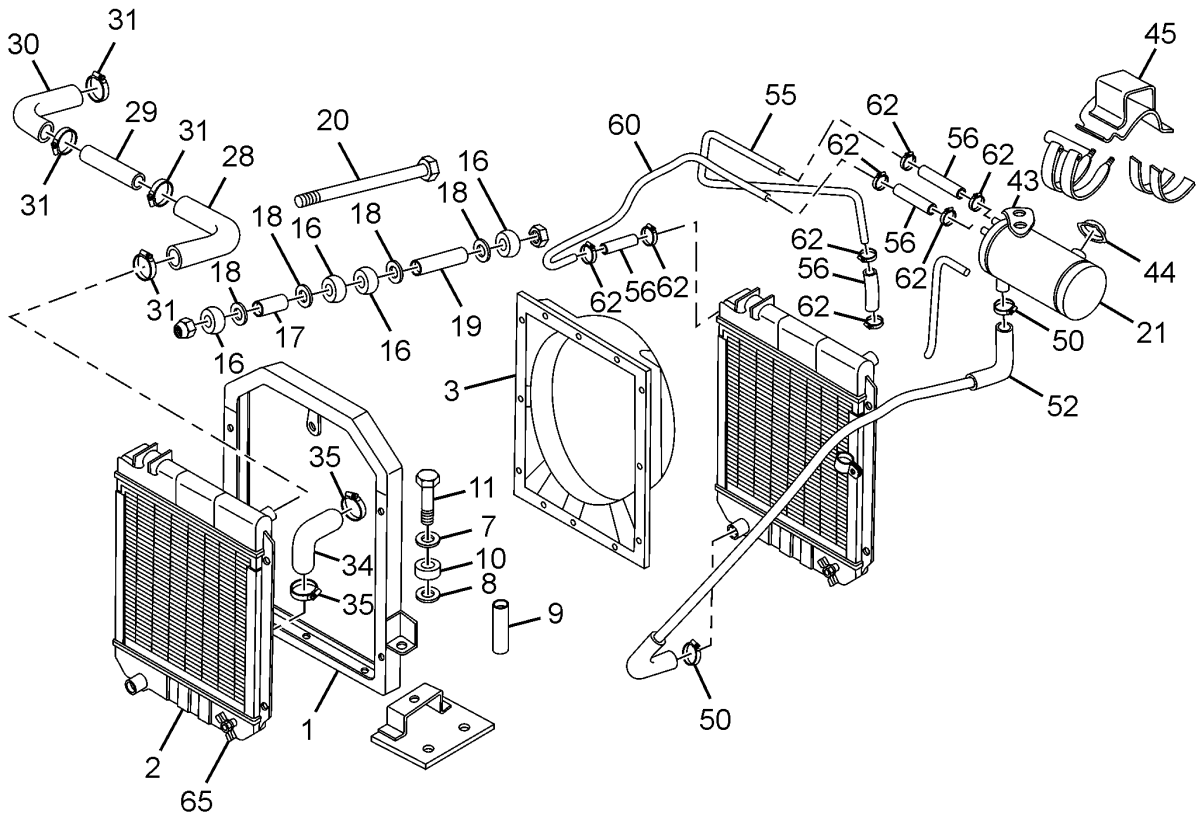
49.49.01		EXHAUST SYSTEM		GROUP 49
CHASSIS TYPE: ALL				
FIG. NO.	PART NUMBER	DESCRIPTION	QTY	REMARKS
1	275049200145	ASSY EXHAUST PIPE (AT EXHAUST MANIFOLD)	1	
2	276349205301	GASKET	2	
3	275049200146	ASSY. BRACKET COMPLETE	1	
4	276349200123	ASSY.EXHAUST BRAKE UNIT.	1	
6	3521441250	BUSH	1	
7	3521441350	BUSH	1	
8	275449208209	STOPPER PLATE	1	
9	257649205302	GASKET	1	
11	275049200126	SUPPORT BRACKET (EXHAUST BRAKE)	1	
17	209154200101	ASSY. AIR CYLINDER WITH MAGNETIC VALVE (24 V)	1	
	277054249904	ASSY.MAGNETIC VALVE-24V (EXHAUST BRAKE)	1	
20	275049200121	ASSY. EXHAUST PIPE (2ND PIPE) LHD	1	
22	276849100102	ASSY. SILENCER WITH PIPE	1	
	131649200032	ASSY. BKT. SILENCER MTG.-LPO 1316 - 4	1	
	131649200043	ASSY. BKT. SILENCER MTG.-LPO 1316 - 6	1	
	131649200042	ASSY. BKT. SILENCER MTG.-LPO 1316 - 5	1	
	131649200028	ASSY. BKT. SILENCER MTG.-LPO 1610-1	1	
28	275049200143	ASSY EXHAUST PIPE, BEHIND SILENCER	1	
30	275049206941	EXHAUST PIPE AT REAR	1	
35	275449206701	PIN (AIR CYLINDER TO MOUNTING BRACKET)	1	

CHASSIS TYPE: ALL



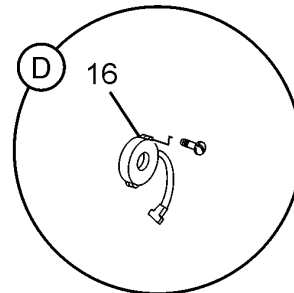
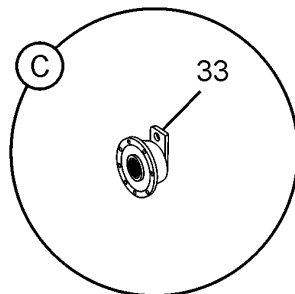
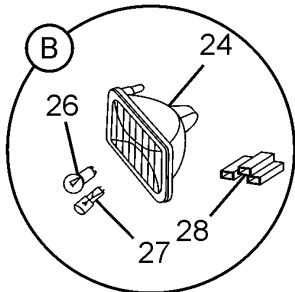
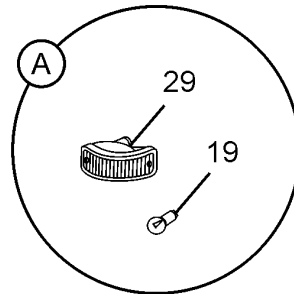
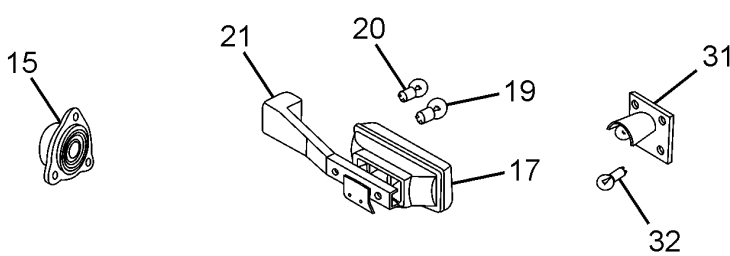
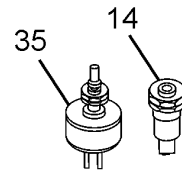
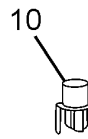
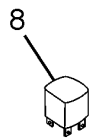
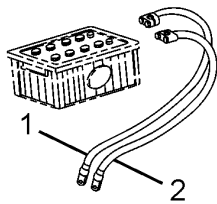
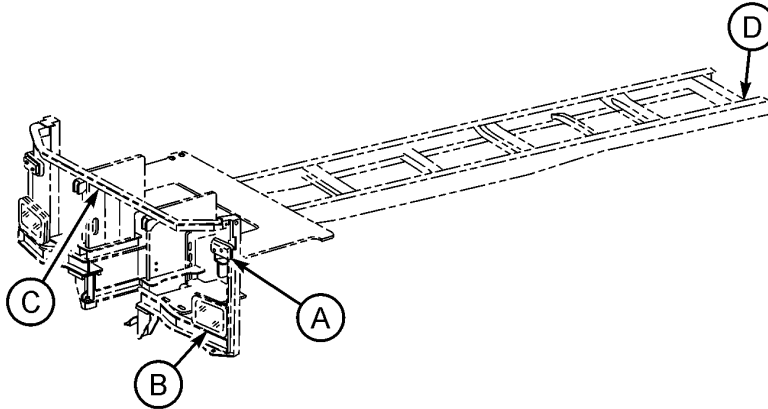
50.50.01		RADIATOR		GROUP 50
CHASSIS TYPE: ALL				
FIG. NO.	PART NUMBER	DESCRIPTION	QTY	REMARKS
1	207650000129	ASSY RADIATOR FRAME (LPO1316TC-LHD/LMFO)	1	
2	207650100168	ASSY RADIATOR-M/S TATA TOYO	1	
3	207650506314	FAN SHROUD	1	
65	252350100137	ASSY DRAIN VALVE	1	
		RADIATOR TOP MOUNTING ON COWL		
16	278614607501	RUBBER BUFFER.	4	
17	257450006906	SPACER TUBE (25.5 LONG)	1	
18	278614609201	WASHER	4	
19	252550006906	TUBE L-30(LPT2515-697-145	1	
20	11064010699	HEX BOLT M10X110	1	
		RADIATOR FRAME & INTERCOOLER MOUNTING ON LONG MEMBER BKT.		
7	257450009202	WASHER (47DIA)	4	
10	257450006301	RUBBER BUFFER	6	
9	278650406905	SPACER TUBE (63 LONG)	2	
8	278650108301	SHIM (1 MM)	AR	FOR SELECTION
8	278650108302	SHIM (2 MM)	AR	FOR SELECTION
8	278650108303	SHIM (5 MM)	AR	FOR SELECTION
11	11063816681	HEX BOLT M16X100	2	
		ENGINE TO RADIATOR TOP INLET		
28	207650105808	HOSE(ENGINE TO RADIATOR INLET)	1	
29	278650106951	PIPE (ENGINE OUTLET TO RADIATOR INLET)	1	
30	278650105844	HOSE (FROM ENGINE OUTLET).	1	
31	14280599302	HOSE CLAMP TB36	4	
		RADIATOR TO WATER PUMP		
34	278650105867	HOSE (RADIATOR TO WATER PUMP)	1	
35	14280598217	HOSE CLAMP TB 54	2	
		AUXILLARY WATER TANK		
21	207650100171	ASSY. AUXILIARY WATER TANK LPO LHD	1	
43	254750100111	ASSY. CAP	1	
44	252550100140	VACUUM AND PRESSURE CAP	1	
45	207650100172	BRACKET FOR AUX. WATER TANK MOUNTING	1	
		WATER FILLING ARRANGEMENT		
50	14280500454	HOSE CLAMP 45	4	
52	207650105848	HOSE (DIA 28.6)	1	
		VENTING		
55	131550000029	VENT TUBE(ENG.TO A.W.TANK)	1	

CHASSIS TYPE: ALL



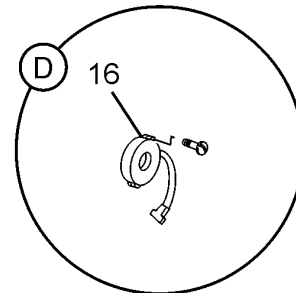
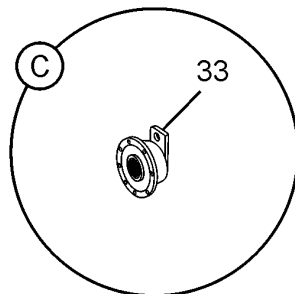
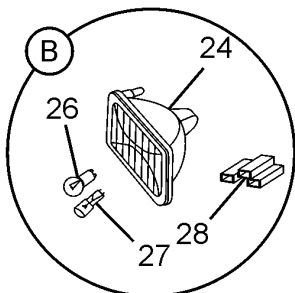
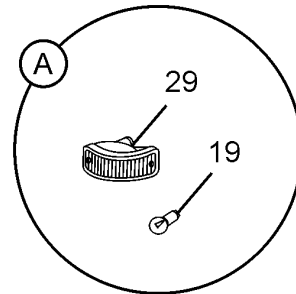
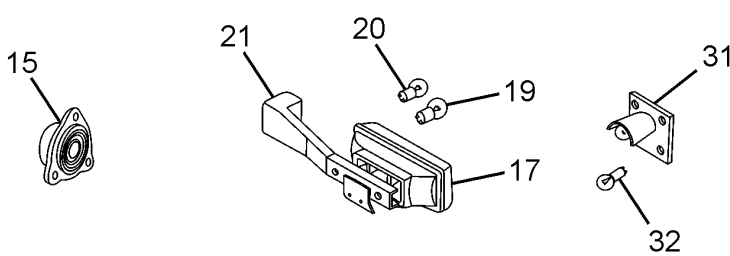
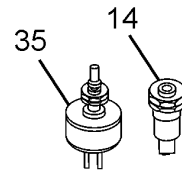
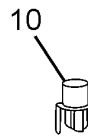
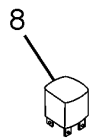
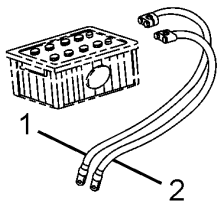
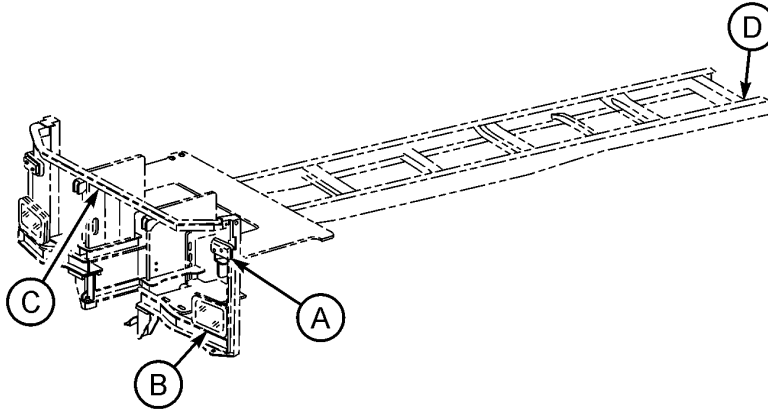
50.50.01		RADIATOR		GROUP 50
CHASSIS TYPE: ALL				
FIG. NO.	PART NUMBER	DESCRIPTION	QTY	REMARKS
60	13155000030	VENT TUBE(FROM RAD.TO A.W.TANK)	1	
56	278650105838	HOSE (6 MM ID X 80 MM LONG)	4	
-	278650105845	VENT HOSE (RADIATOR TO AUXILLARY WATER TANK)	1	
62	14280500161	HOSE CLAMP 16	8	

CHASSIS TYPE: 389068; 389067



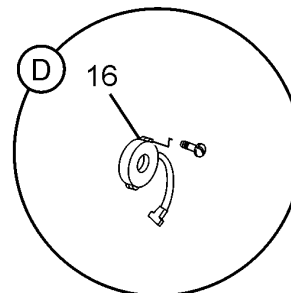
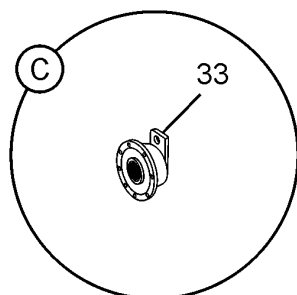
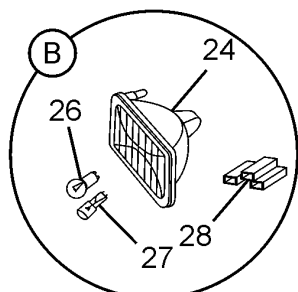
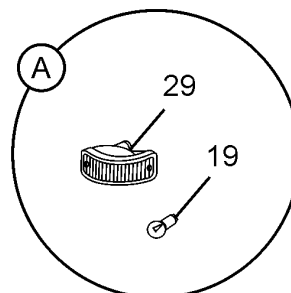
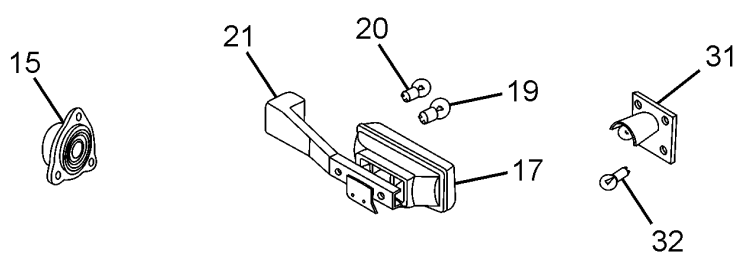
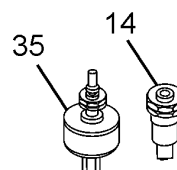
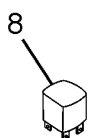
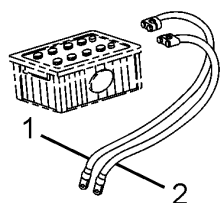
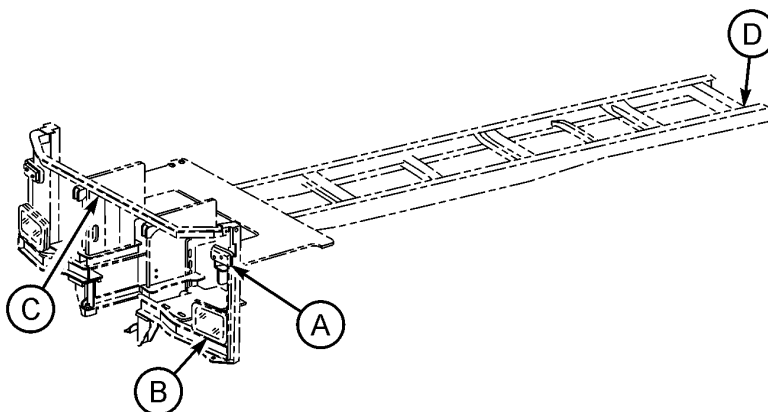
54.54.01A		LIGHT AND SIGNAL SYSTEM		GROUP 54
CHASSIS TYPE: 389068; 389067				
FIG. NO.	PART NUMBER	DESCRIPTION	QTY	REMARKS
1	257354110115	ASSY BATTERY CABLE -VE	1	
2	131554100026	ASSY BATTERY CABLE +VE FOR LPO1316 LHD	1	
-	207354100107	ASSY.LINK -450 MM LG-50 MMSQ	1	
-	275054100106	ASSY BATTERY CABLE + VE (STARTER MOTOR TO BATTARY CUT OFF SWITCH)	1	
-	275054110102	ASSY BATTERY CABLE -VE (STARTER MOTOR TO BATTARY CUT OFF SWITCH)	1	
-	257354509931	BATTERY CUT-OFF SWITCH	1	
8	260854549902	RELAY (WITH RESISTOR) 24V	5	
10	261854544603	FLASHER (24V)	1	
-	261854206301	COVER (RELAYS 5 NOS & FLASHER)	1	
14	257454509985	LOW AIR PRESSURE SWITCH	3	
15	257354209963	BEEPER ALARM UNIT	1	
16	277054209906	HIGH TEMP BUZZER	1	
17	261854440102	ASSY TAIL LAMP WITH BULB RH MSSL 24V	1	
17	261854440101	ASSY TAIL LAMP WITH BULB LH MSSL 24V	1	
19	62120520046	BULB 24V 21W (FOR TAIL LAMP)	6	
20	62120510105	BULB 24V 10W (FOR TAIL LAMP)	2	
21	257354408203	BRACKET (TAIL LAMP) LH/RH	2	
24	263254440102	ASSY HEAD LAMP RH WITH HALOGEN BULB 24 V LHD	1	
24	263254440103	ASSY HEAD LAMP LH WITH HALOGEN BULB 24 V LHD	1	
26	62120100209	HALOGEN LAMP 24V 75/70W	2	
27	62120510083	LAMP 24V 4W M24/2	2	
28	265454609919	SLEEVE ADAPTOR FOR HEAD LAMPBLINKER LAMP ASSY (LH) W/ BULB 24V	2	
29	261854440143	BLINKER LAMP ASSY (LH) W/ BULB 24V	1	SET A OPTIONAL TO SET B
29	261854440144	BLINKER LAMP ASSY (RH) W/ BULB 24V	1	SET A OPTIONAL TO SET B
29	261854440145	BLINKER LAMP ASSY (LH) W/ BULB 24V	1	SET B OPTIONAL TO SET A
29	261854440146	BLINKER LAMP ASSY (RH) W/ BULB 24V	1	SET B OPTIONAL TO SET A
19	62120520046	BULB 24V 21W (FOR BLINKER LAMP)	2	
31	257654400121	ASSY ENGINE LAMP	1	

CHASSIS TYPE: 389068; 389067



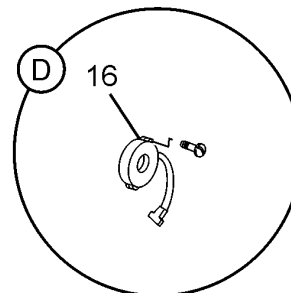
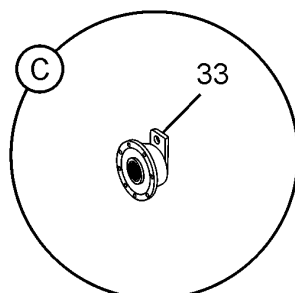
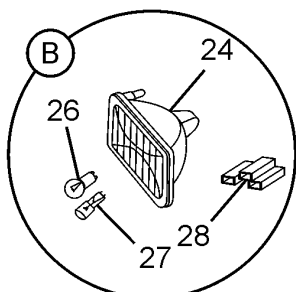
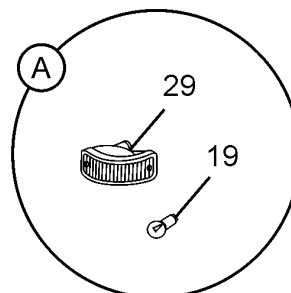
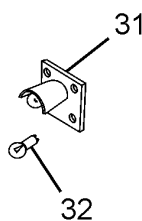
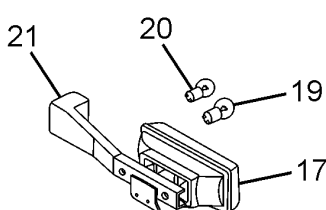
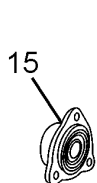
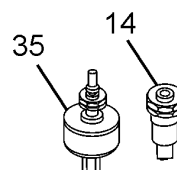
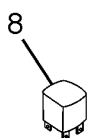
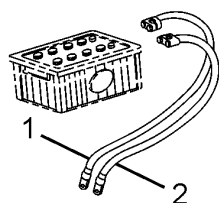
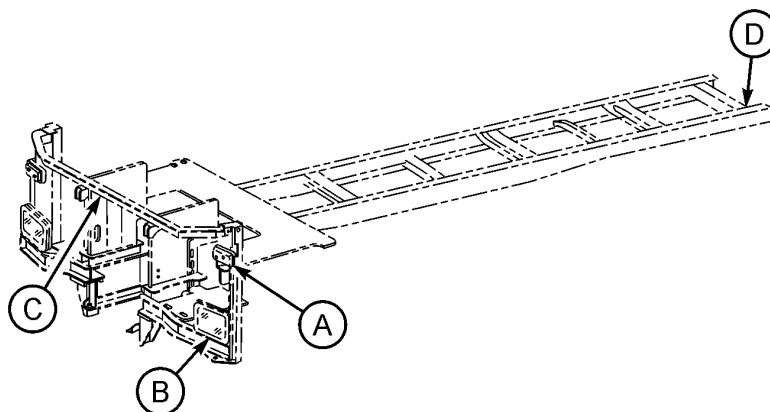
54.54.01A		LIGHT AND SIGNAL SYSTEM		GROUP 54
CHASSIS TYPE: 389068; 389067				
FIG. NO.	PART NUMBER	DESCRIPTION	QTY	REMARKS
32	62120510075	LAMP 24V 2W M24/5 (FOR ENGINE LAMP)	1	
33	207354209906	HORN-DIA 125,24V,RIS CAPACITOR M/s PRAKA	1	
	277054620105	WIRING HARNESS (HORN)	1	
	260854504901	RELAY (24V) (FOR STARTER SOLENOID)	1	
	410254200102	STARTER RELAY COVER	1	
	207354200103	ASSY. BRACKET (FOR MOUNTING HORN)	1	
35	257654509909	STOP LIGHT SWITCH	2	
	261854500110	FUSE BOX MOUNTING BRACKET	1	

CHASSIS TYPE: 389277



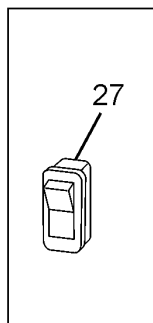
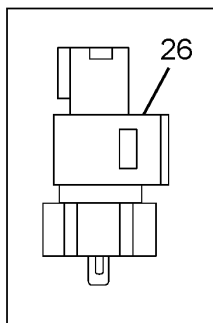
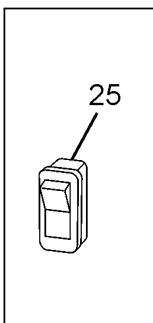
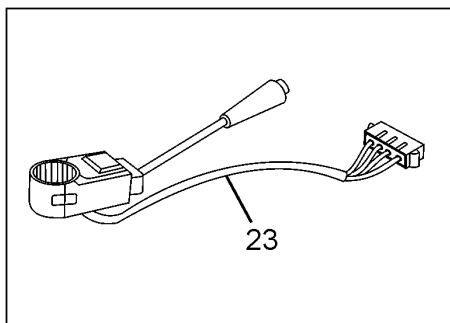
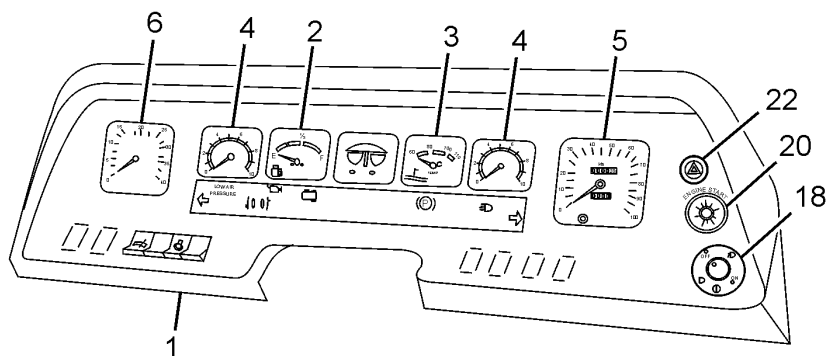
54.54.01B		LIGHT AND SIGNAL SYSTEM		GROUP 54
CHASSIS TYPE: 389277				
FIG. NO.	PART NUMBER	DESCRIPTION	QTY	REMARKS
1	131554100027	ASSY BATTERY CABLE -VE FOR LPO1316 LHD	1	
2	131554100026	ASSY BATTERY CABLE +VE FOR LPO1316 LHD	1	
-	207354100107	ASSY.LINK -450 MM LG-50 MMSQ	1	
-	257354509931	BATTERY CUT-OFF SWITCH	1	
8	260854549902	RELAY (WITH RESISTOR) 24V	5	
10	261854544603	FLASHER (24V)	1	
-	261854206301	COVER (RELAYS 5 NOS & FLASHER)	1	
14	257454509985	LOW AIR PRESSURE SWITCH	3	
15	257354209963	BEEPER ALARM UNIT	1	
16	207354209903	HIGHTEMP.SENSING BUZZER UNIT-24V-M/S IIL	1	
17	261854440102	ASSY TAIL LAMP WITH BULB RH MSSL 24V	1	
17	261854440101	ASSY TAIL LAMP WITH BULB LH MSSL 24V	1	
19	62120520046	BULB 24V 21W (FOR TAIL LAMP)	6	
20	62120510105	BULB 24V 10W (FOR TAIL LAMP)	2	
21	257354408203	BRACKET (TAIL LAMP) LH/RH	2	
24	263254440102	ASSY HEAD LAMP RH WITH HALOGEN BULB 24 V LHD	1	
24	263254440103	ASSY HEAD LAMP LH WITH HALOGEN BULB 24 V LHD	1	
26	62120100209	HALOGEN LAMP 24V 75/70W	2	
27	62120510083	LAMP 24V 4W M24/2	2	
28	265454609919	SLEEVE ADAPTOR FOR HEAD LAMPBLINKER LAMP ASSY (LH) W/ BULB 24V	2	
29	261854440143	BLINKER LAMP ASSY (LH) W/ BULB 24V	1	SET A OPTIONAL TO SET B
29	261854440144	BLINKER LAMP ASSY (RH) W/ BULB 24V	1	SET A OPTIONAL TO SET B
29	261854440145	BLINKER LAMP ASSY (LH) W/ BULB 24V	1	SET B OPTIONAL TO SET A
29	261854440146	BLINKER LAMP ASSY (RH) W/ BULB 24V	1	SET B OPTIONAL TO SET A
19	62120520046	BULB 24V 21W (FOR BLINKER LAMP)	2	
31	257654400121	ASSY ENGINE LAMP	1	
32	62120510075	LAMP 24V 2W M24/5 (FOR ENGINE LAMP)	1	

CHASSIS TYPE: 389277



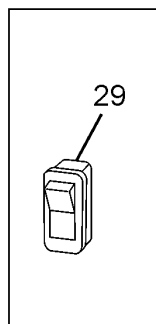
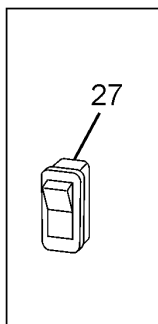
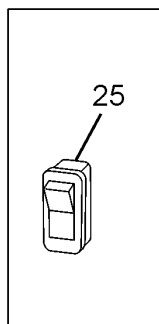
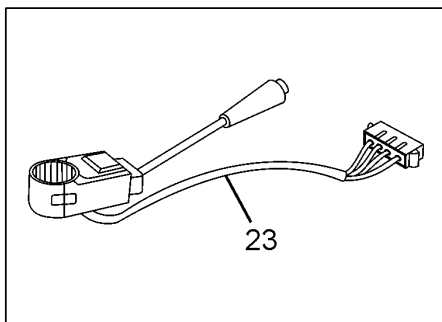
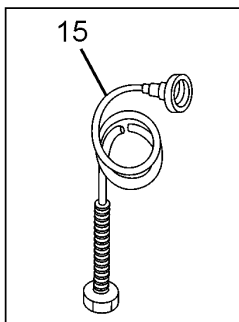
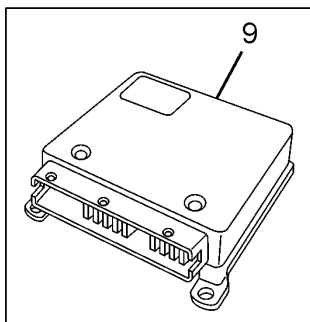
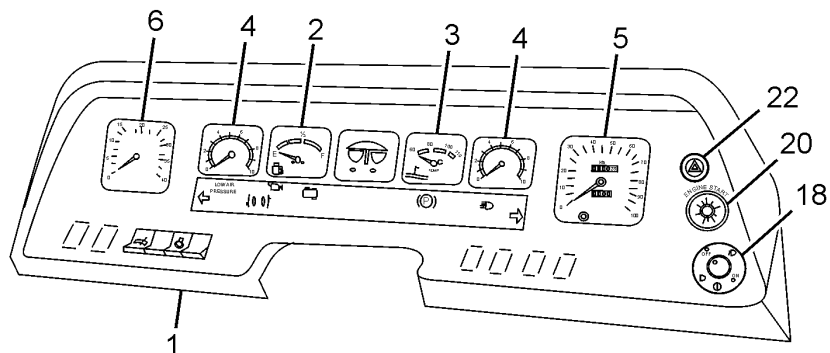
54.54.01B		LIGHT AND SIGNAL SYSTEM		GROUP 54
CHASSIS TYPE: 389277				
FIG. NO.	PART NUMBER	DESCRIPTION	QTY	REMARKS
33	207354209906	HORN-DIA 125,24V,RIS CAPACITOR M/s PRAKA	1	
	277054620105	WIRING HARNESS (HORN)	1	
	260854504901	RELAY (24V) (FOR STARTER SOLENOID)	1	
	410254200102	STARTER RELAY COVER	1	
	207354200103	ASSY. BRACKET (FOR MOUNTING HORN)	1	
35	257654509909	STOP LIGHT SWITCH	2	
	261854500110	FUSE BOX MOUNTING BRACKET	1	

CHASSIS TYPE: 389068; 389067



54.54.02A		INSTRUMENT CLUSTER		GROUP 54
CHASSIS TYPE: 389068; 389067				
FIG. NO.	PART NUMBER	DESCRIPTION	QTY	REMARKS
1	216354209938	INSTRUMENT CLUSTER (1:0.88) E-SPEEDOMETER	1	
2	261854209925	FUEL GAUGE 24V	1	
3	261854209927	TEMPERATURE GAUGE 12V / 24V	1	
4	261854209928	AIR PRESSURE GAUGE	1	
5	215354209958	SPEEDOMETER (0.88), 24V, 0-140KM/HR	1	
6	261854209936	RPM METER 24V (552 HZ)	1	
-	215354209950	WIRING HARNESS INSTRUMENT CLUSTER	1	
18	207354500101	ASSY. MAIN LINE SWITCH	1	
20	261454509901	STARTER PUSH BUTTON	1	
22	261854540101	HAZARD WARNING SWITCH 24V	1	
23	261854500101	ASSY. COMBI SWITCH	1	
-	278254509910	BUZZER ASSY.	1	
	275454209938	WATER-IN-FUEL IND-12V/24V	1	
25	269854500111	PIANO SWITCH, HEAD LAMP LEVELLING	1	
26	278054209924	ELCTRO.SPEED SENSOR 12/24V(8 PULSES)	1	
27	257554506921	PIANO SWITCH	4	

CHASSIS TYPE: 389277



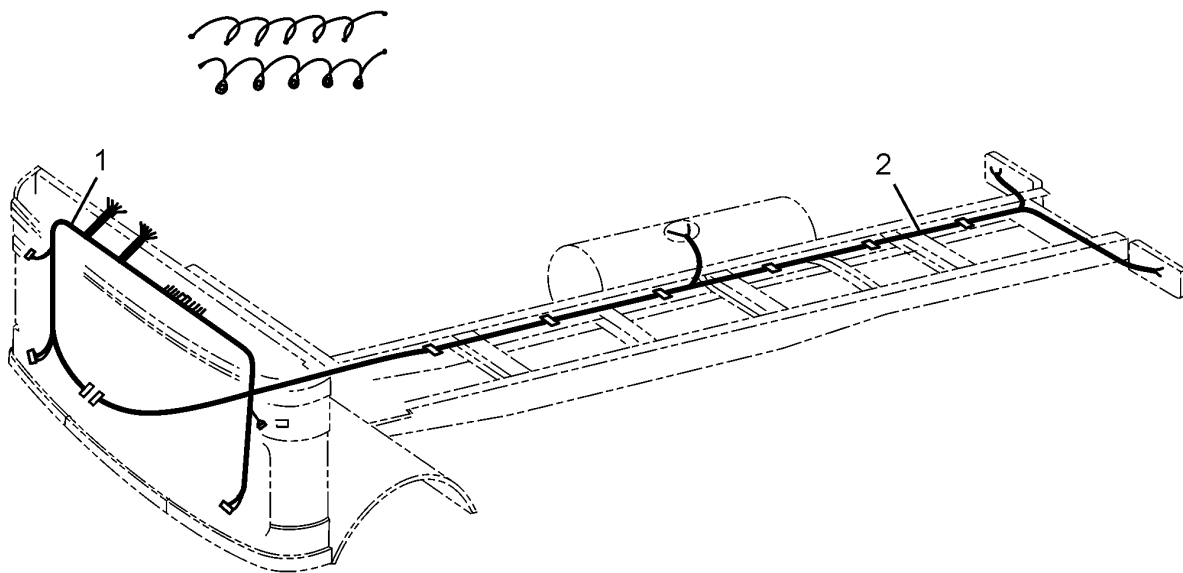
54.54.02B		INSTRUMENT CLUSTER		GROUP 54
CHASSIS TYPE: 389277				
FIG. NO.	PART NUMBER	DESCRIPTION	QTY	REMARKS
1	275054209919	INSTRUMENT CLUSTER (1:0.88) ABS	1	
2	261854209925	FUEL GAUGE 24V	1	
3	261854209927	TEMPERATURE GAUGE 12V / 24V	1	
4	261854209928	AIR PRESSURE GAUGE	1	
5	215354209958	SPEEDOMETER (0.88), 24V, 0-140KM/HR	1	
6	261854209936	RPM METER 24V (552 HZ)	1	
-	215354209950	WIRING HARNESS INSTRUMENT CLUSTER	1	
9	284954200105	ECU ABS	1	
15	257454209994	SPEEDOCABLE JIS 3600 Lg.	1	
18	207354500101	ASSY. MAIN LINE SWITCH	1	
20	261454509901	STARTER PUSH BUTTON	1	
22	261854540101	HAZARD WARNING SWITCH 24V	1	
23	261854500101	ASSY. COMBI SWITCH	1	
-	278254509910	BUZZER ASSY.	1	
25	269854500111	PIANO SWITCH, HEAD LAMP LEVELLING	1	
27	257554506921	PIANO SWITCH	4	
29	264354506902	PIANO SWITCH, ABS	1	

54.54.03A

WIRING HARNESS

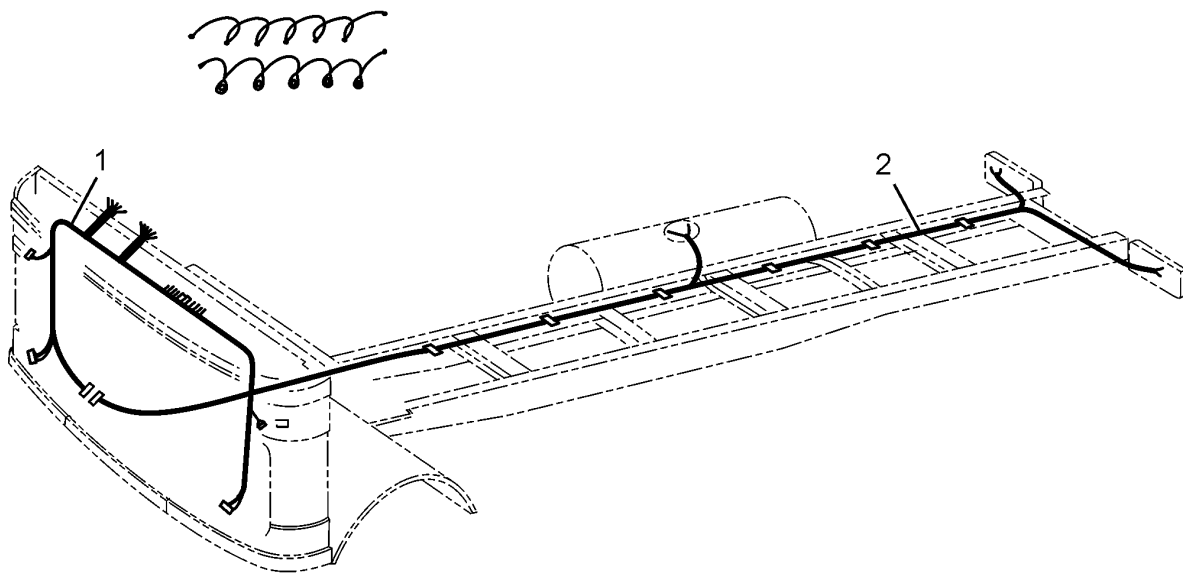
GROUP 54

CHASSIS TYPE: 389068; 389067



54.54.03A		WIRING HARNESS		GROUP 54	
CHASSIS TYPE: 389068; 389067					
FIG. NO.	PART NUMBER	DESCRIPTION	QTY	REMARKS	
1	275054600112	WIRING HARNESS, MAIN LHD	1		
2	207354820111	W/H TAIL-W.B 55-LPO 1512TC/1510TC	1		
	261854620127	W/H STOP LT.SW.AND LP.SW.	1		
	299308544831	PIG TAIL W/H WLECTRONIC SPEED SENSOR	1		

CHASSIS TYPE: 389277



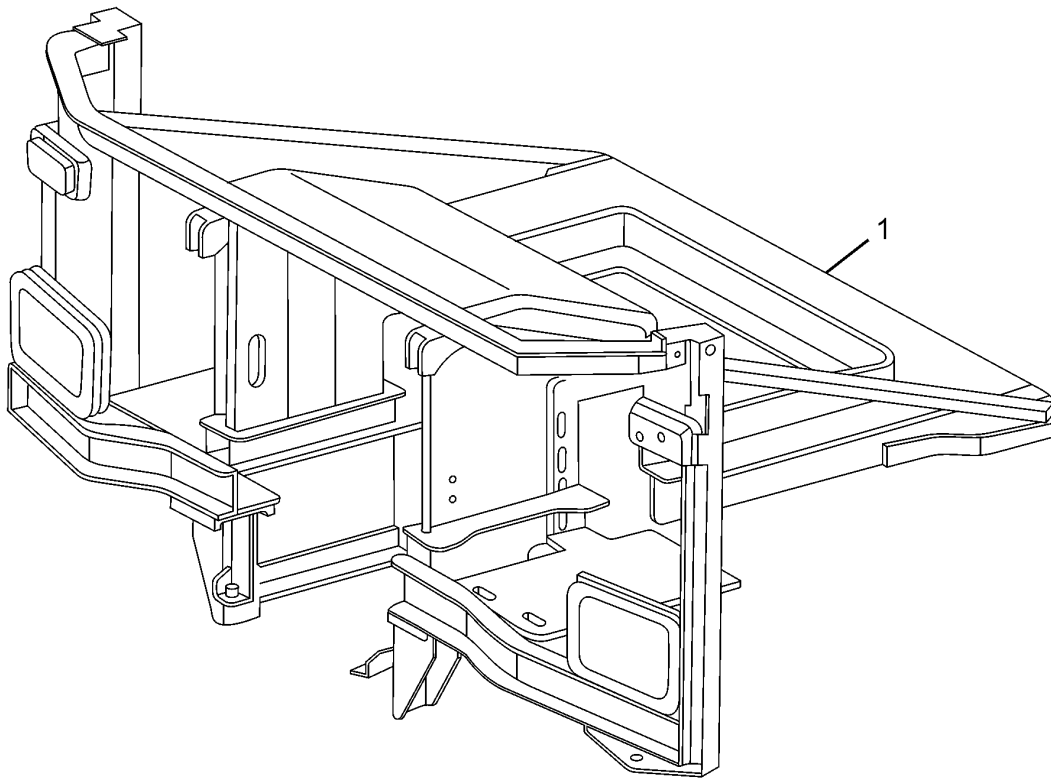
54.54.03B		WIRING HARNESS		GROUP 54
CHASSIS TYPE: 389277				
FIG. NO.	PART NUMBER	DESCRIPTION	QTY	REMARKS
1	275054620101	W/H-MAIN LPO-1316TC LHD ABS, MSSL	1	
2	207354820111	W/H TAIL-W.B 55-LPO 1512TC/1510TC	1	
	261854620127	W/H STOP LT.SW.AND LP.SW.	1	
	131554500013	W/H-PIG TAIL -ABS GND SPLY (2000 MM)	1	
	275054600115	W/H-FRAME LHD 55WB ABS M/S WABCO.	1	

60.60.01

COWL W/O FACE

GROUP 60

CHASSIS TYPE: ALL

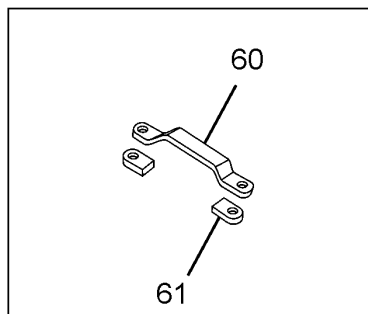
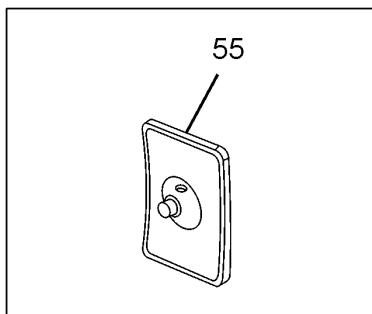
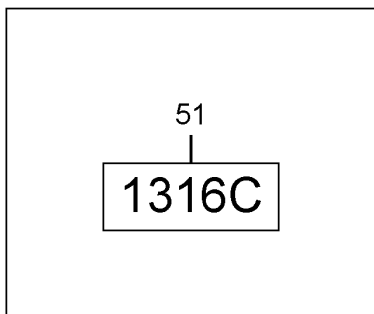
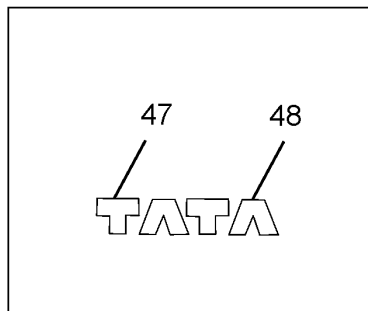
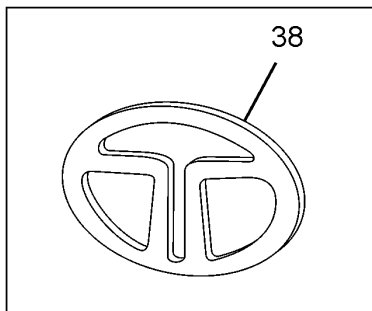
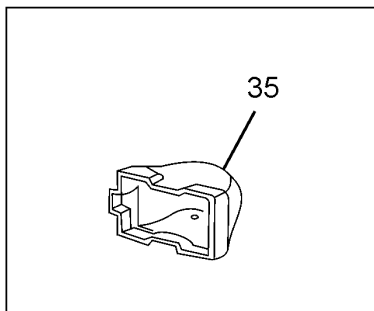


LP1512-60.60.02

G07

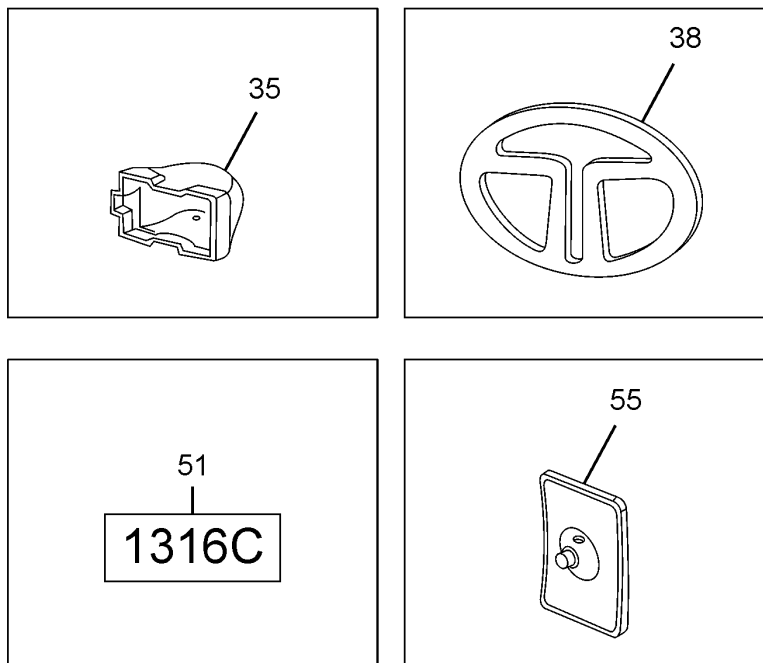
60.60.01		COWL W/O FACE		GROUP 60	
CHASSIS TYPE: ALL					
FIG. NO.	PART NUMBER	DESCRIPTION	QTY	REMARKS	
-	207160100209	ASSY COWL W/O FACE COMPLETE WITH FITMENTS LHD	1		
1	207160100210	ASSY COWL W/O FACE BARE PAINTED LHD	1		

CHASSIS TYPE: 389068; 389067



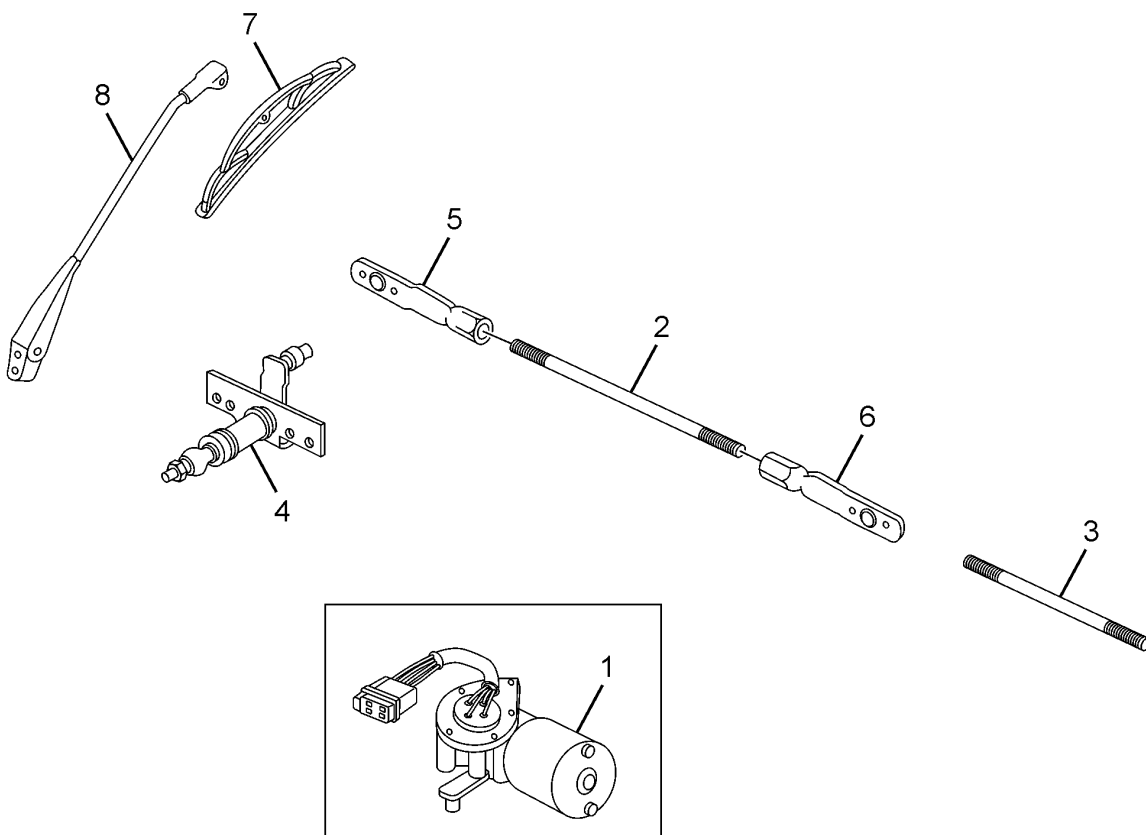
60.81.01A		INTERNAL AND EXTERNAL FITMENTS		GROUP 81
CHASSIS TYPE: 389068; 389067				
FIG. NO.	PART NUMBER	DESCRIPTION	QTY	REMARKS
35	259281100131	ASSY HEAD LAMP DOME	2	
38	207175200101	ASSY. T'EMBLEM(OVAL STYLISED)	1	
47	274275206301	ASSY. LETTER T (NEW STYLISHED)	2	
48	274275206302	ASSY. LETTER A (NEW STYLISHED)	2	
51	259181800105	ASSY "TATA 1316 C" MASCOT	1	
55	257681100114	ASSY.REAR VIEW MIRROR(NON-`E`CERTIFIED)	3	
60	257681500107	ASSY. GRAB HANDLE FRONT FACE	2	
61	257681506302	RUBBER PAD, GRAB HANDLE	2	

CHASSIS TYPE: 389277



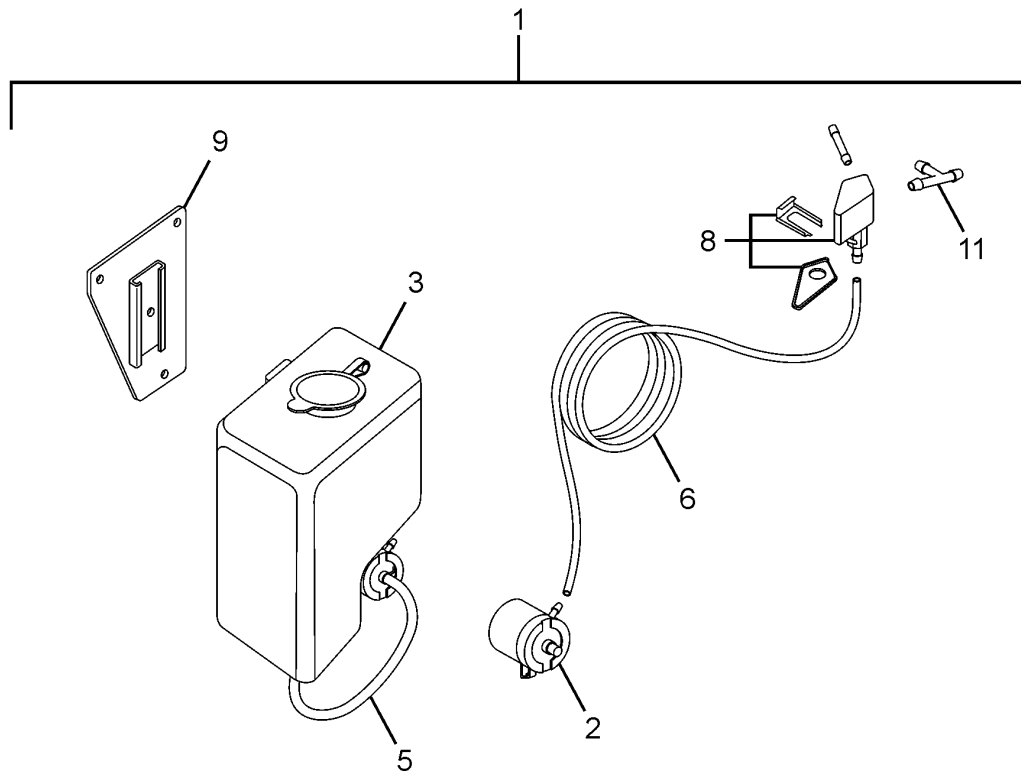
60.81.01B		INTERNAL AND EXTERNAL FITMENTS		GROUP 81	
CHASSIS TYPE: 389277					
FIG. NO.	PART NUMBER	DESCRIPTION	QTY	REMARKS	
35	259281100131	ASSY HEAD LAMP DOME	2		
38	207175200101	ASSY. T'EMBLEM(OVAL STYLISED)	1		
51	259181800105	ASSY "TATA 1316 C" MASCOT	1		
55	257681100114	ASSY.REAR VIEW MIRROR(NON-'E'CERTIFIED)	3		

CHASSIS TYPE: ALL



60.82.01		WIPER SYSTEM		GROUP 82
CHASSIS TYPE: ALL				
FIG. NO.	PART NUMBER	DESCRIPTION	QTY	REMARKS
1	262182409903	WIPER MOTOR 17W HI-POWER(24 VOLTS(RHD)	1	
2	206082406003	LINK ROD (1004 MM LONG)	1	
3	206082406001	LINK ROD (224 MM LONG)	1	
	257482400106	ACCESSORIES KIT FOR 24V WIPER MOTOR (LUCAS) CONSISTING OF :	1	
4	-	WHEEL BOX (50.8 MM) RH	2	
4	-	WHEEL BOX (44.93 MM) LH	2	
5	-	LINK END ASSY LH	2	
6	-	LINK END ASSY RH	2	
	-	WIPER MOTOR CONNECTOR	2	
	-	SPACER	2	
8	265182400115	ASSY WIPER ARM	1	
7	265182400114	ASSY WIPER BLADE	1	

CHASSIS TYPE: ALL



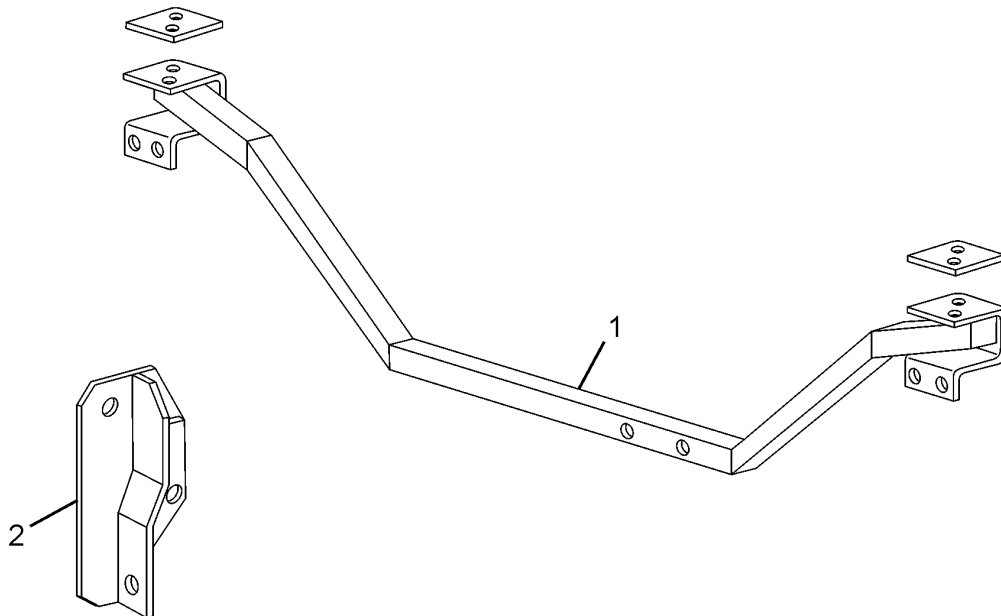
60.86.01		WINDSHIELD WASHING SYSTEM		GROUP 86	
CHASSIS TYPE: ALL					
FIG. NO.	PART NUMBER	DESCRIPTION	QTY	REMARKS	
1	257382240101	ASSY. WINDSHIELD WASHER KIT (24 V) CONSISTING OF :	1		
2	-	PUMP ASSY.	1		
3	-	TANK	1		
5	-	TUBE (TANK TO PUMP INLET)	1		
6	-	TUBE (2000 MM LONG)	1		
8	-	ASSY. NOZZLE	2		
9	-	BRACKET WIND SHIELD WASHER	1		
11	-	T JOINT	1		

60.88.01

ANTI-SAGGING BAR

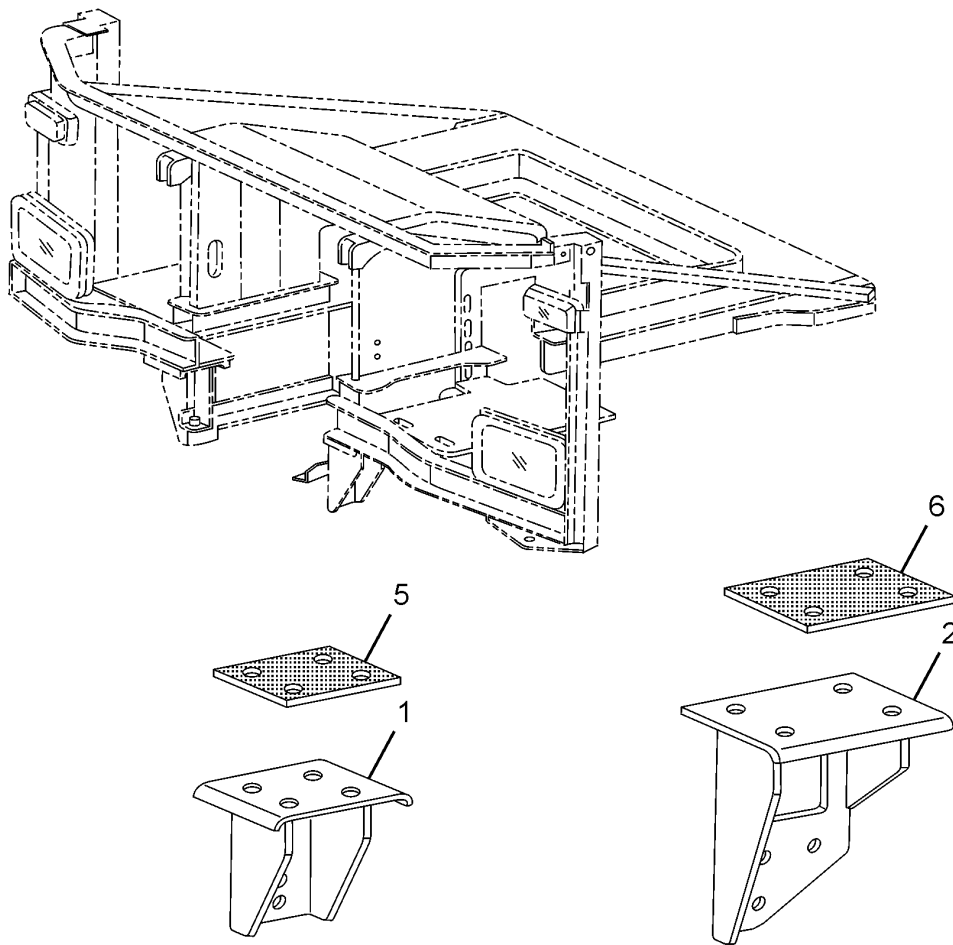
GROUP 88

CHASSIS TYPE: ALL



60.88.01		ANTI-SAGGING BAR		GROUP 88	
CHASSIS TYPE: ALL					
FIG. NO.	PART NUMBER	DESCRIPTION	QTY	REMARKS	
1	275088500102	ASSY.ANTISAGGING BAR	1		
2	257388500120	ASSY. SUPPORT LH (FOR ANTI-SAGGING BAR)	1		
2	257388500121	ASSY. SUPPORT RH (FOR ANTI-SAGGING BAR)	1		

CHASSIS TYPE: ALL



60.89.01		COWL MOUNTING		GROUP 89	
CHASSIS TYPE: ALL					
FIG. NO.	PART NUMBER	DESCRIPTION	QTY	REMARKS	
1	275089100106	ASSY.BRACKET-RH(COWL MTG.FRONT)	1		
2	275089100107	ASSY.BRACKET LH(COWL MTG.REAR)	1		
2	275089100108	ASSY.BRACKET-RH(COWL MTG.REAR)	1		
5	206089107702	PACKING FRONT (COWL MOUNTING)	2		
6	206089107701	PACKING REAR (COWL MOUNTING)	2		
-	257389109201	WASHER (FOR COWL MOUNTING)	16		

