

PARTS CATALOG-ENGINE

# CUMMINS -ISX



타타대우상용차

01.2012

# 머 리 말

## INTRODUCTION

먼저 귀하께서 당사 제품을 이용해 주신데 대해 깊은 감사를 드립니다.

본 부품카다로그는 커민스 엔진(ISX)의 내부 부품 목록입니다.

위 부품이 필요하실 때에는 본 책자에 수록된 해당 부품번호를 찾아 신청해 주시면, 가까운 당사 지정부품대리점 및 정비공장에서 안전하고 만족스러운 순정부품을 신속하게 구입하실 수 있습니다.

혹시, 샤시 장치나 구동 장치에 대한 부품 구입을 원하실 때에는 관련 샤시편 부품카다로그 또는 구동편 부품카다로그를 참고하시길 바랍니다.

사용 중 본 책자에 대한 의문 사항이나, 내용상의 오류를 발견하였을 경우 당사로 문의해 주시면 감사하겠습니다.

아울러, 양해 말씀 드릴 것은 본 책자의 부품 중 제품 향상으로 사전 통보 없이 부품이 변경될 수 있음을 알려드립니다.

본 부품카다로그가 귀하의 신속하고 안전한 순정부품 구입에 도움이 되길 바랍니다.

We would like to take an opportunity to thank you for choosing a TATADAEWOO product and assure you of our continuing interest in satisfactory performance of your vehicle.

This catalog contains parts list for the inner parts of Cummins engine(ISX).

When you need this parts, look up their part numbers in this catalog and give another information, the quantity of each part and so on, to your nearest TATADAEWOO service center or an authorized DAEWOO dealer. Well then, you can buy TATADAEWOO genuine parts promptly to your full satisfaction.

If you want to buy chassis and power train parts, refer to the CHASSIS or POWER TRAIN PARTS CATALOG.

If you have any query about this book or find any incorrect information, do not hesitate to contact us.

Also, the parts in this book are subject to change without prior notice for improvement of designs and performance.

We hope this catalog will ensure you prompt and safe service in purchasing DAEWOO genuine parts.

2012. 1

타타대우상용차 주식회사  
TATADAEWOO Commercial Vehicle Co., Ltd.



## ■ How to Use This Catalog

For rapid finding of part information, this part catalog is provided with group number index, illustration index, part number index, part name index(Korean/English).

The next processes help you to find out a part.

1. There is the actual parts in which **mounting position** is known.  
: Check the **illustration index**.→ Find out **fig number**. → Check the part information.
2. There is the actual parts include **main group** is known.  
: Check the **group number index**.→ Find out **fig number** → Check the part information.
3. **Part number** is known.  
: Check the **part number index**.→ Find out **fig no. & key no.** → Check the part information.
4. **Part name** is known.  
: Check the **part name index**.→ Find out **fig no. & key no.** → Check the part information.

## ■ Catalog Composition

③		④		⑤		⑦		⑧		⑨	
K E Y	S E R I E S	P A R T	N O.	D E S C R I P T I O N	Q U A N T I T Y	S E R I E S	R E M A R K				
① Fig No. 01.01-1      CYLINDER LINER KIT      ② 실린더 라이너 키트											
A	1	4089388	KIT,CYLINDER LINER 키트,실린더 라이너	6							
1	2	3102423	LINER,CYLINDER 라이너,실린더	6	N						
2	2	3047188	SEAL,RECTANGULAR RING 씰, 직방글러 링	6							
99	0	3032623	LINER SHIM 라이너 씰	AR			0.005인치				

01 실린더 블록      ⑩

### ① Fig Number

The first two digits indicates "MAIN GROUP NO." and the other digits indicates "SUB GROUP NO.".

Ex > 01.01-1

01: BLOCK GROUP

01-1: CYLINDER LINER

### ② Fig Name

This indicates the name of sub group within the main group.

**③ Key Number**

Key no. corresponds with the reference number on the illustration.

Key no.[A] indicates total parts of illustration, and Key no. [1-A], [2-A], ... indicates KIT parts.

Key no.[S] indicates only service parts.

**④ Level**

Assembling part is shown with "1" and components parts of assembling part is shown with "2", "3"...

It is smaller when the part is superior.

**⑤ Part Number**

The part number is assigned to each part. The first alphabet of part number(P,I,M) indicates a source of part, and the parts marked with "N,P,N" on this column are not supplied independently.

**⑥ Part Name**

This indicates the designation and use, and is written in Korean and English.

**⑦ Quantity (Q'ty)**

This column indicates the quantity required per sub group. The quantity is normally shown by numeric or by symbol as below.

AR: Required by quantity

**⑧ Servicable parts**

The parts marked with "N" is not stocked in line of TDCV, parts refer to assembly or repair kit which contain the parts mentioned.

**⑨ Remark**

This column is used for detail explanation of specific type or any further information.

Ex> INCL.1~12 : It means that the parts from key no.1 to key no.12 are contained in that part.

**⑩ Group No. & Group Name**

This column indicates the number & name of group with the figure.

# 01

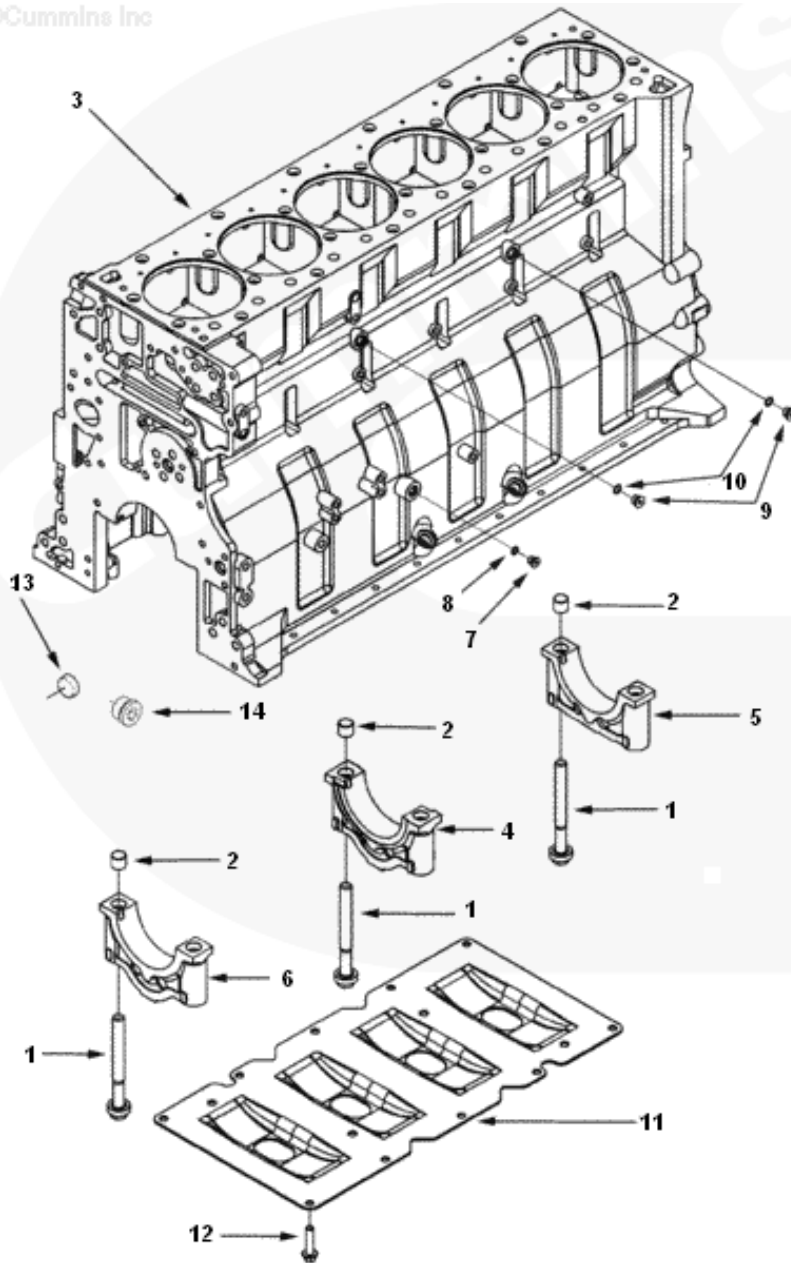
# CYLINDER BLOCK

- 01.01 CYLINDER BLOCK
  - 01.01-1 CYLINDER LINER KIT
  - 01.01-2 COVER PLATE
  - 01.01-3 PISTON COOLING NOZZLE
  - 01.01-4 CYLINDER BLOCK PLUMBING
- 01.02 CRANKSHAFT
  - 01.02-2 CRANKSHAFT PULLEY
- 01.04 ENGINE PISTON
- 01.06 FRONT GEAR HOUSING
  - 01.06-1 FRONT GEAR COVER
  - 01.06-2 AGENCY APPROVAL

FIG NO. 01.01

CYLINDER BLOCK

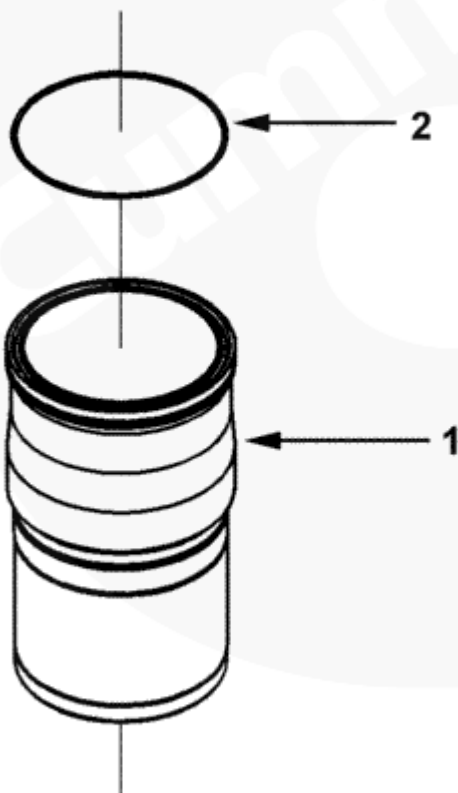
©Cummins Inc



K E Y	L E V E L	PART NO.	DESCRIPTION	Q T Y	S / C	REMARK
1-A	1	3686830	BLOCK,CYLINDER	1		INCL.1~6
1	2	3678506	SCREW,HEX FLANGE HEAD CAP	14		
2	2	3678507	DOWEL,RING	14		
3	2	3686829	BLOCK,CYLINDER	1	N	serviced as [1-A]
4	2	3685552	CAP,MAIN BEARING	1	N	serviced as [1-A]
5	2	3685553	CAP,MAIN BEARING	1		
6	2	3685554	CAP,MAIN BEARING	5	N	serviced as [1-A]
7	1	3678610	PLUG,THREADED	1		M12X1.50(INCL.8)
8	2	3678603	SEAL,O RING	1		
9	1	3678921	PLUG,THREADED	3		M14X1.50(INCL.10)
10	2	3678912	SEAL,O RING	3		
11	1	3680425	PLATE,CYL BLOCK STIFFENER	1		
12	1	3680781	SCREW,HEX FLANGE HEAD CAP	10		
13	1	3007636	PLUG,EXPANSION	1		
14	1	3679334	PLUG,EXPANSION	1		



©Cummins Inc

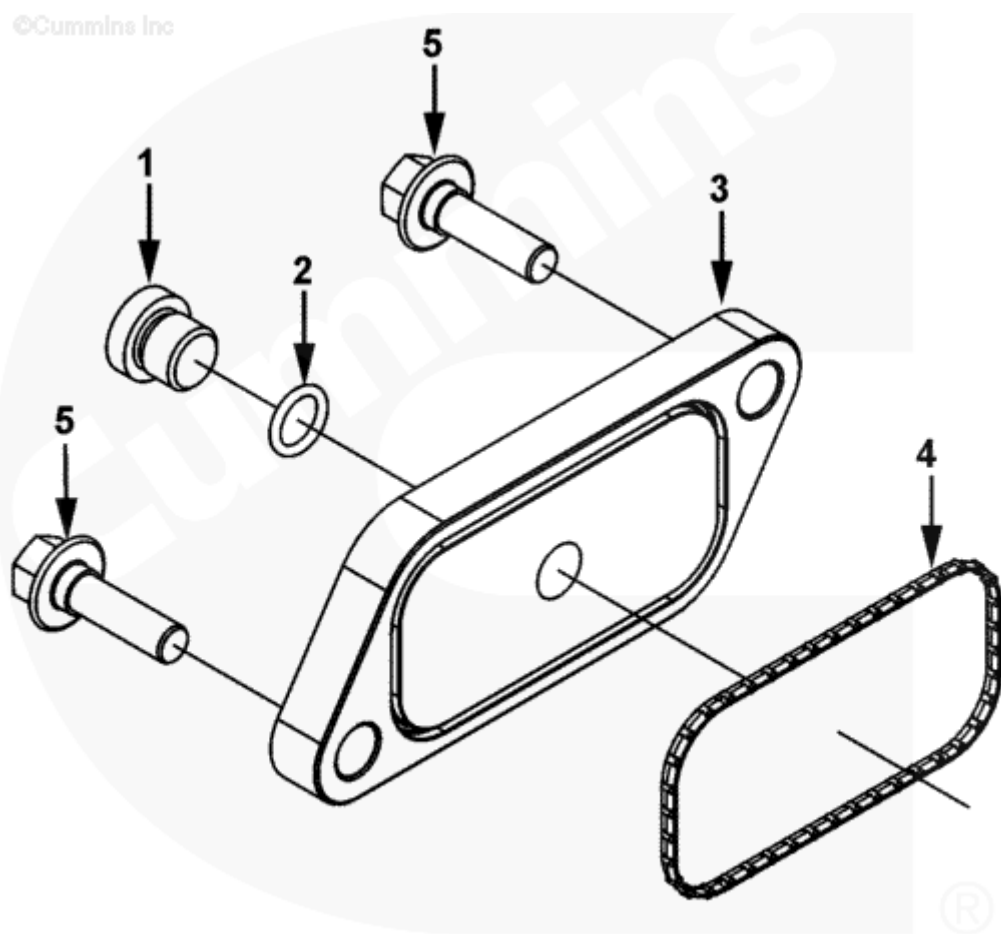


CYLINDER LINER KIT

KEY	LEVEL	PART NO.	DESCRIPTION	QTY	S/C	REMARK
1-A	1	2881719	KIT,CYLINDER LINER	6		INCL.1~2
1	2	3685235	LINER,CYLINDER	6	N	serviced as [1-A]
2	2	3685234	SEAL,RECTANGULAR RING	6		

FIG NO. 01.01-2

COVER PLATE

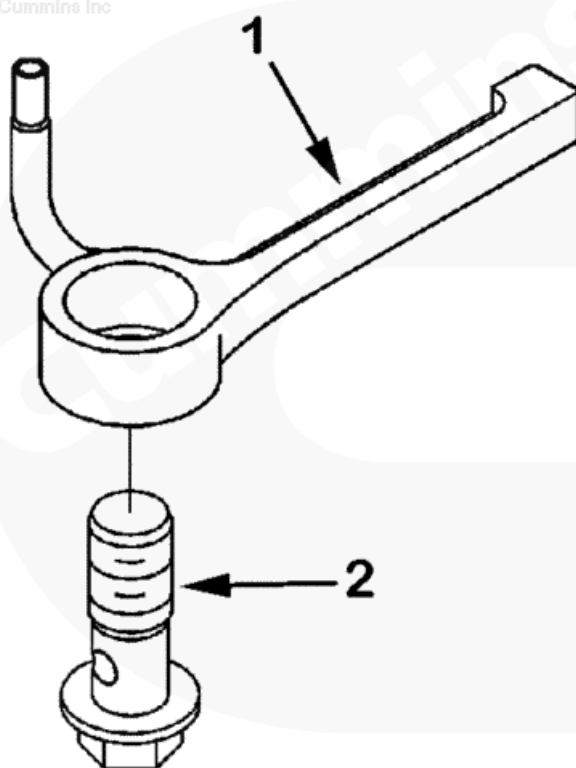


K E Y	L E V E L	PART NO.	DESCRIPTION	Q T Y	S / C	REMARK
1-A	1	3678921	PLUG,THREADED	1		INCL.1~2
1	2	3678922	PLUG,THREADED	1	N	
2	2	3678912	SEAL,O RING	1		
3	1	3684350	PLATE,COVER	1		
4	1	3683607	SEAL,WATER	1		
5	1	3903112	SCREW,HEX FLANGE HEAD CAP	2		M10x1.50x30

FIG NO. 01.01-3

# PISTON COOLING NOZZLE

©Cummins Inc



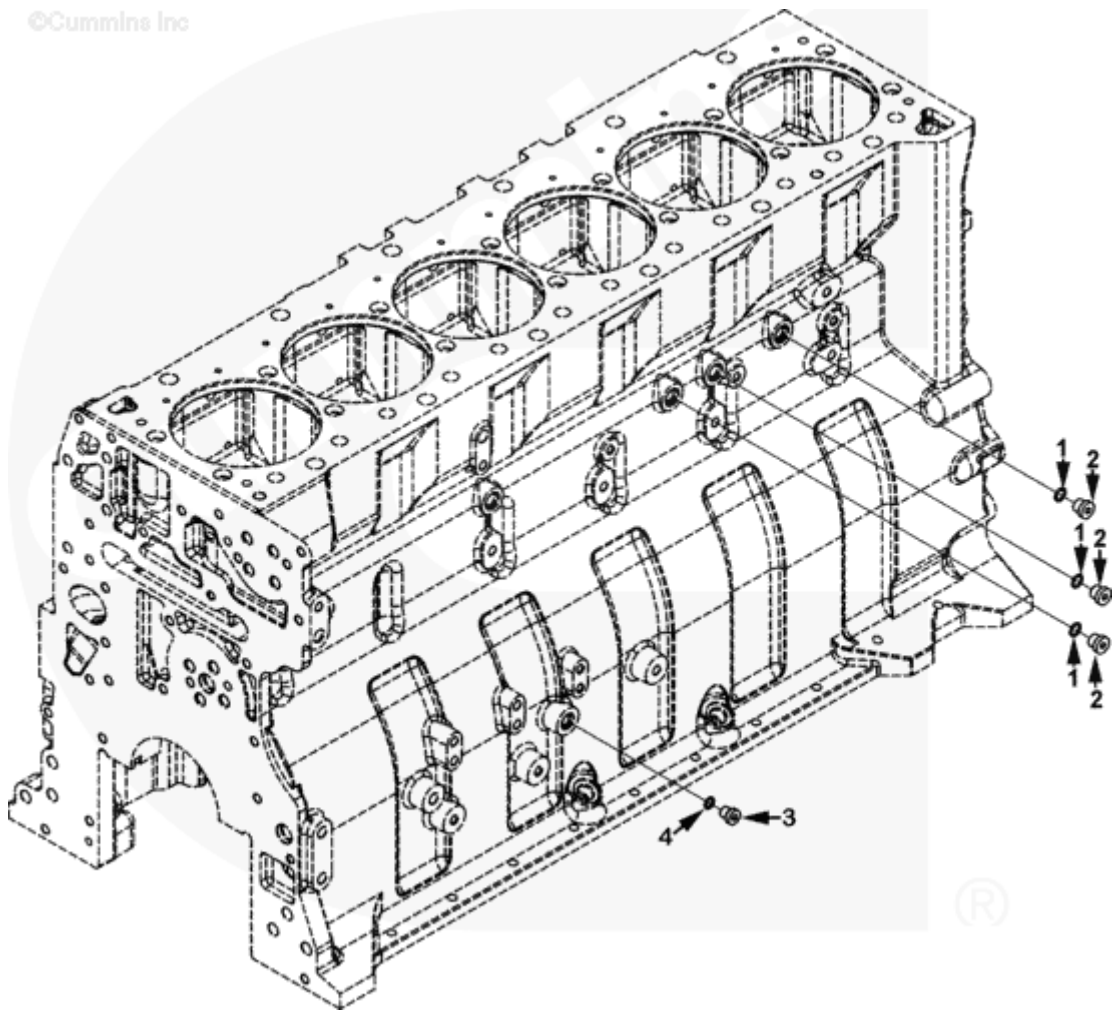
**PISTON COOLING NOZZLE**

KEY	LEVEL	PART NO.	DESCRIPTION	QTY	S/C	REMARK
1	1	3687058	NOZZLE,PISTON COOLING	6		
2	1	3679037	SCREW,HEX FLANGE HEAD CAP	6		

FIG NO. 01.01-4

# CYLINDER BLOCK PLUMBING

©Cummins Inc



**CYLINDER BLOCK PLUMBING**

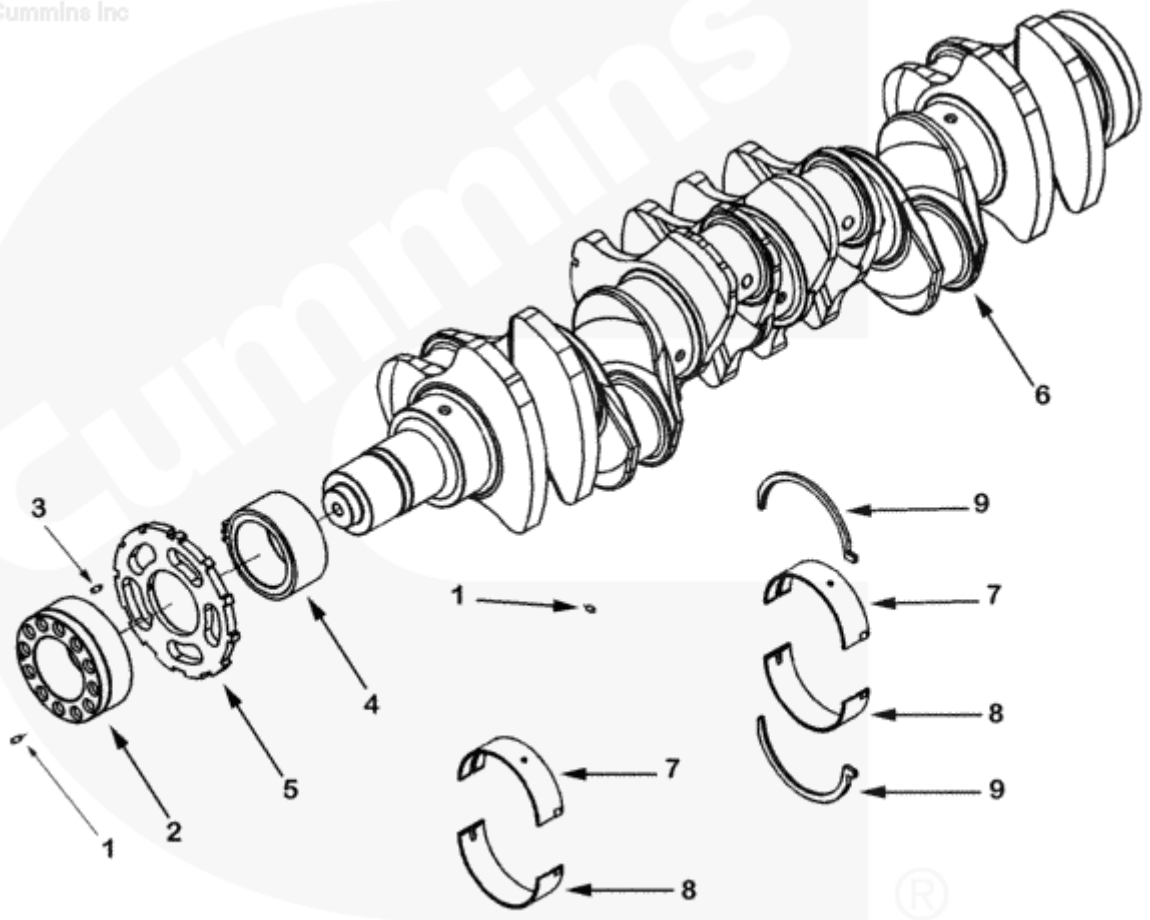
KEY	LEVEL	PART NO.	DESCRIPTION	QTY	S/C	REMARK
1-A	1	3678921	PLUG,THREADED	4		
1	2	3678912	SEAL,O RING	4		
2	2	3678922	PLUG,THREADED	4	N	
2-A	1	3678610	PLUG,THREADED	1		
3	2	3678602	PLUG,THREADED	1	N	
4	2	3678603	SEAL,O RING	1		



FIG NO. 01.02

# CRANKSHAFT

©Cummins Inc

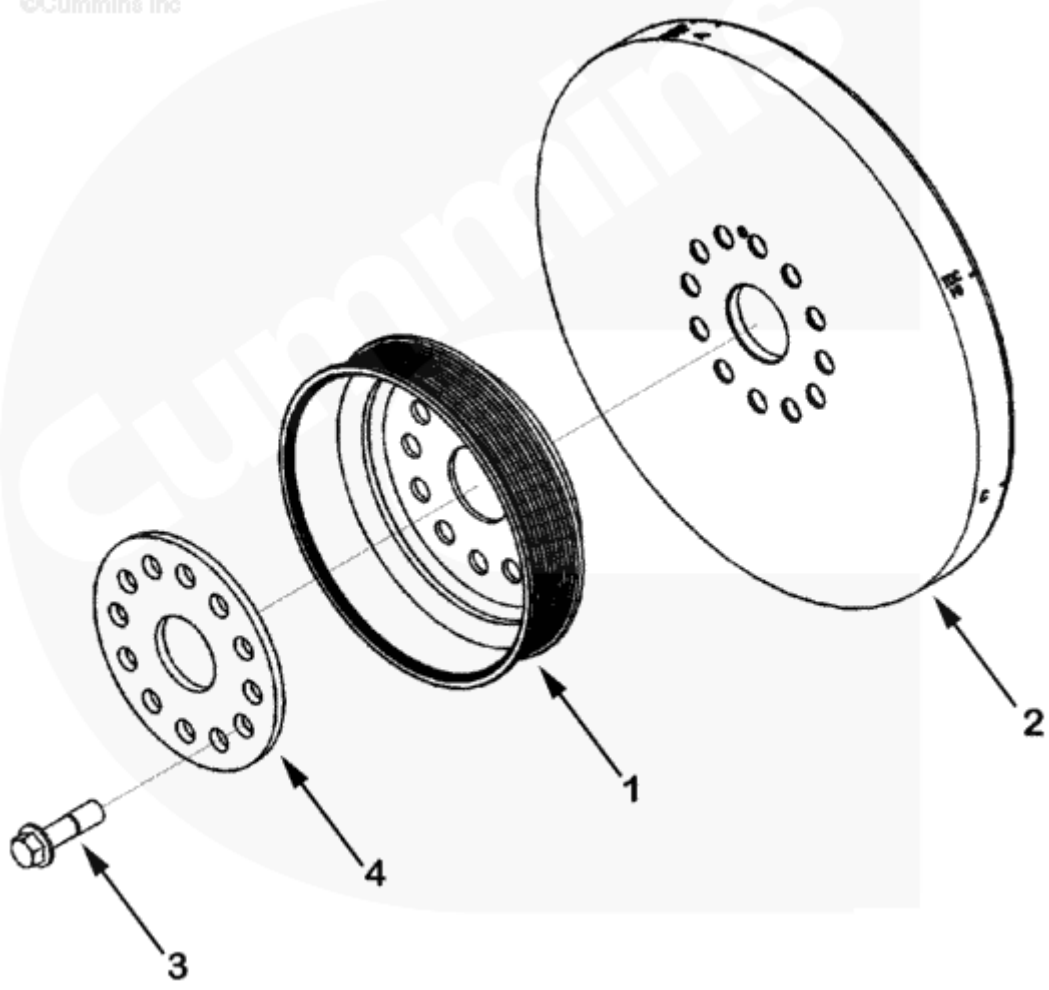


K E Y	L E V E L	PART NO.	DESCRIPTION	Q T Y	S / C	REMARK
1-A	1	4925762	CRANKSHAFT,ENGINE	1		INCL.1~6
1	2	3068935	DOWEL,PIN	2		
2	2	3680503	ADAPTER,CRANKSHAFT	1		
3	2	3681504	DOWEL,PIN	1		
4	2	3680542	GEAR,CRANKSHAFT	1		
5	2	3681194	RING,SPEED INDICATOR	1		
6	2	4925761	CRANKSHAFT,ENGINE	1	N	serviced as [1-A]
2-A	1	3800298	SET,MAIN BEARING	1		STANDARD(INCL.7~9)
7	2	3678555	BEARING,MAIN	7	N	STD. UPPER (serviced as [2-A])
8	2	3678556	BEARING,MAIN	7	N	STD. LOWER (serviced as [2-A])
9	2	3680202	BEARING,CRANKSHAFT THRUST	4	N	serviced as [2-A]
3-A	1	4089845	SET,MAIN BEARING	1		+0.25mm(INCL.7~9)
7	2	4907151	BEARING,MAIN	7	N	+0.25mm. UPPER (serviced as [3-A])
8	2	4907153	BEARING,MAIN	7	N	+0.25mm. LOWER (serviced as [3-A])
9	2	3680202	BEARING,CRANKSHAFT THRUST	4	N	serviced as [3-A]
4-A	1	4089846	SET,MAIN BEARING	1		+0.50mm(INCL.7~9)
7	2	4907152	BEARING,MAIN	7	N	+0.50mm. UPPER (serviced as [4-A])
8	2	4907154	BEARING,MAIN	7	N	+0.50mm. LOWER (serviced as [4-A])
9	2	3680202	BEARING,CRANKSHAFT THRUST	4	N	serviced as [3-A]

FIG NO. 01.02-2

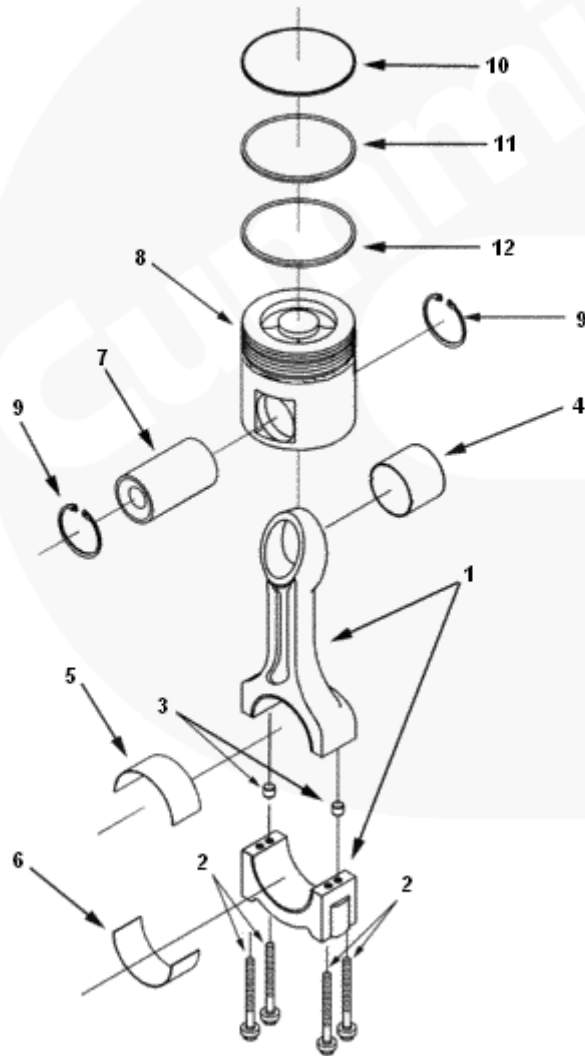
# CRANKSHAFT PULLEY

©Cummins Inc



K E Y	L E V E L	PART NO.	DESCRIPTION	Q T Y	S / C	REMARK
1	1	3680190	PULLEY,CRANKSHAFT	1		
2	1	4101884	DAMPER,VIBRATION	1		
3	1	3680750	SCREW,HEX FLANGE HEAD CAP	12		
4	1	3680758	PLATE,CLAMPING	1		

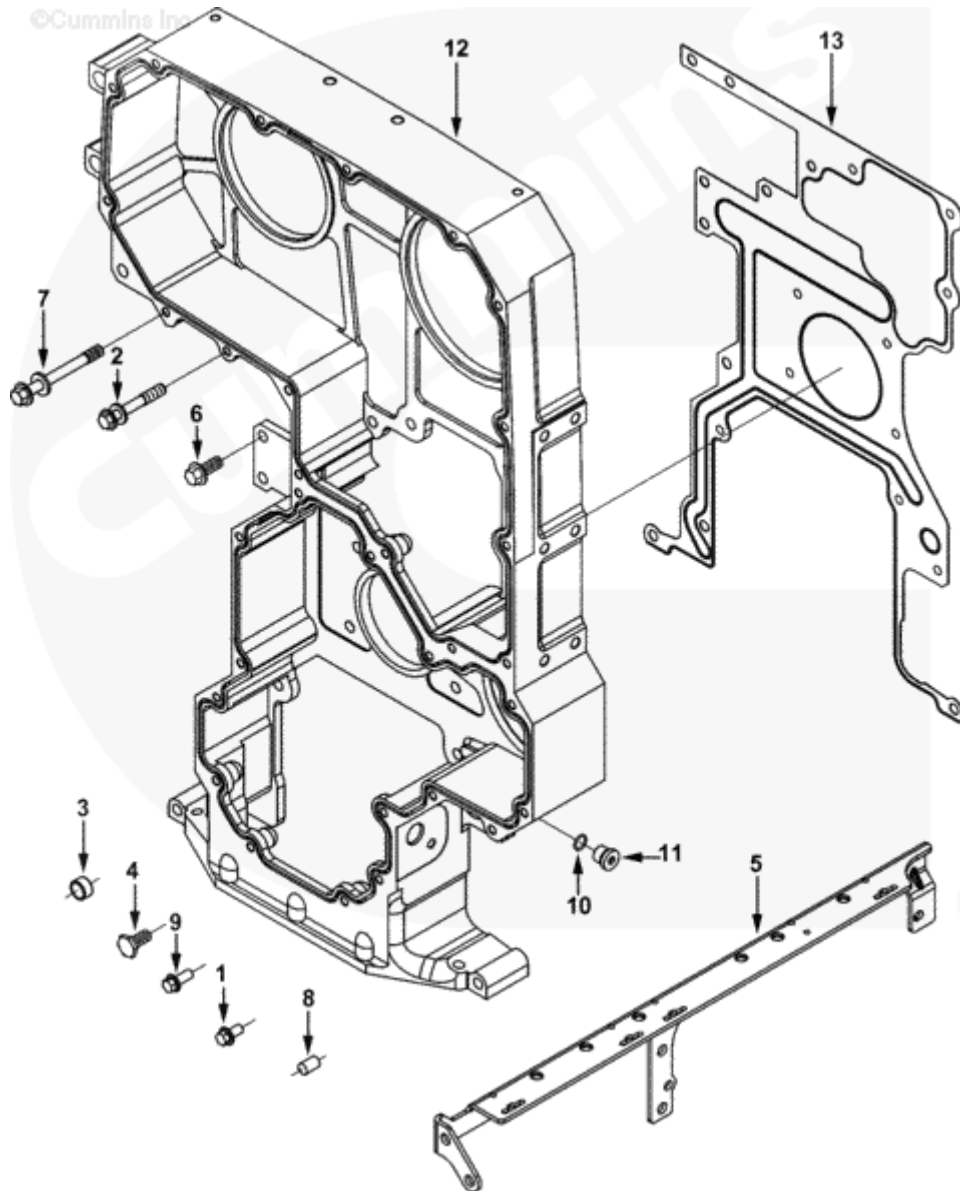
©Cummins Inc



K E Y	L E V E L	PART NO.	DESCRIPTION	Q T Y	S / C	REMARK
1-A	1	4059429	ROD,ENGINE CONNECTING	6	N	INCL.1~4 (4959429NX)
1	2	4059449	ROD,ENGINE CONNECTING	6	N	serviced as [1-A]
2	2	3678574	SCREW,CONNECTING ROD CAP	4		
3	2	3678739	DOWEL,RING	2		
4	2	4059448	BUSHING	1	N	
2-A	1	4089405	SET,ROD BEARING(STD)	1		INCL.5,6 (oversize [S-1])
5	2	4925971	BEARING,CONNECTING ROD	6	N	serviced as [2-A]
6	2	4925975	BEARING,CONNECTING ROD	6	N	serviced as [2-A]
7	1	4923748	PIN,PISTON	6		
8	1	2882635	PISTON,ENGINE	6	N	serviced as [S-2]
9	1	3064305	RING,RETAINING	12		
10	1	2869635	RING,COMPRESSION PISTON	6	N	serviced as [S-3]
11	1	3684010	RING,COMPRESSION PISTON	6	N	serviced as [S-3]
12	1	3682398	RING,OIL PISTON	6	N	serviced as [S-3]
S-1	0	4090016	SET,ROD BEARING(+0.25mm)	1		+0.25mm
		4090017	SET,ROD BEARING(+0.50mm)	1		+0.50mm
S-2	0	2881873	KIT,ENGINE PISTON	6		
S-3	0	2881682	SET,PISTON RING	6		INCL.10~12

FIG NO. 01.06

# FRONT GEAR HOUSING



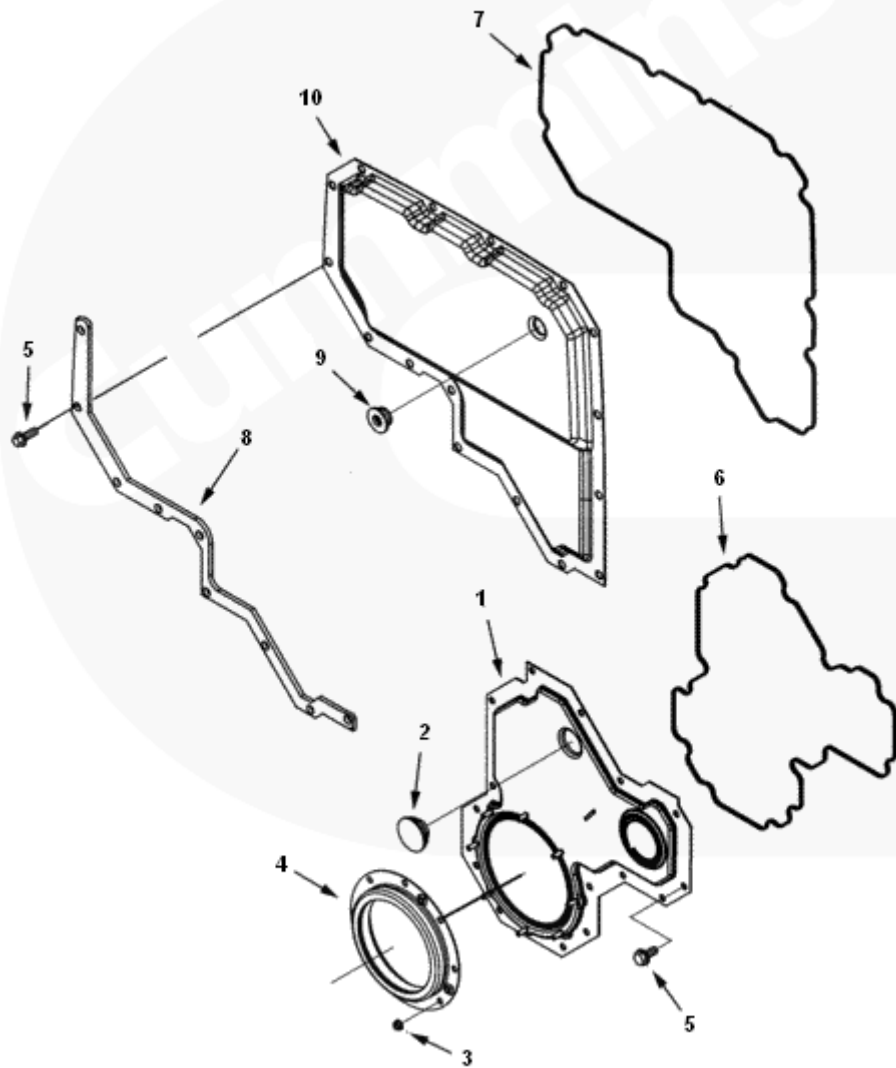
K E Y	L E V E L	PART NO.	DESCRIPTION	Q T Y	S / C	REMARK
1	1	3093931	SCREW,HEX FLANGE HEAD CAP	2		
2	1	3412921	SCREW,HEX FLANGE HEAD CAP	3		
3	1	3678871	DOWEL,RING	1		
4	1	3680866	SCREW,HEX FLANGE HEAD CAP	1		
5	1	3680878	BRACE,GEAR HOUSING	1		
6	1	3680882	SCREW,CAPTIVE WASHER CAP	15		
7	1	3681268	SCREW,CAPTIVE WASHER CAP	1		
8	1	3900257	DOWEL,PIN	1		
9	1	3902460	SCREW,HEX FLANGE HEAD CAP	2		M10x1.50x25
10	1	3678786	SEAL,O RING	1		
11	1	3678791	PLUG,THREADED	1		
12	1	4059393	HOUSING,GEAR	1		
13	1	4985562	GASKET,GEAR HOUSING	1		



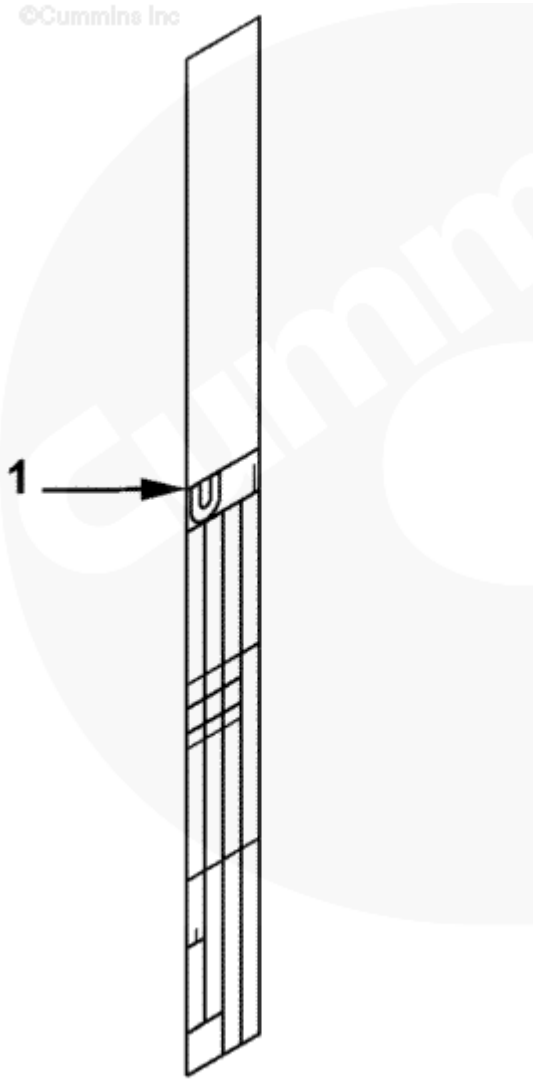
FIG NO. 01.06-1

FRONT GEAR COVER

©Cummins Inc



K E Y	L E V E L	PART NO.	DESCRIPTION	Q T Y	S / C	REMARK
1	1	4973081	COVER,GEAR	1		
2	1	4082974	PLUG,GEAR COVER	1		
3	1	3906216	NUT,HEXAGON FLANGE	8		M6X1.00
4	1	4101504	SEAL,OIL	1		
5	1	4101451	SCREW,CAPTIVE WASHER CAP	31		
6	1	4962722	SEAL,RECTANGULAR STRIP	1		
7	1	4962721	SEAL,RECTANGULAR STRIP	1		
8	1	3104025	PLATE,CLAMPING	1		
1-A	1	3684273	COVER,GEAR	1		INCL.9~10
9	2	3683695	SEAL,GROMMET	1		
10	2	4059454	COVER,GEAR	1	N	serviced as [1-A]



KEY	LEVEL	PART NO.	DESCRIPTION	QTY	S/C	REMARK
1	1	4093515	DATAPLATE	1		
2	1	4985530	TAPE	1		

# **02**

# **CYLINDER HEAD**

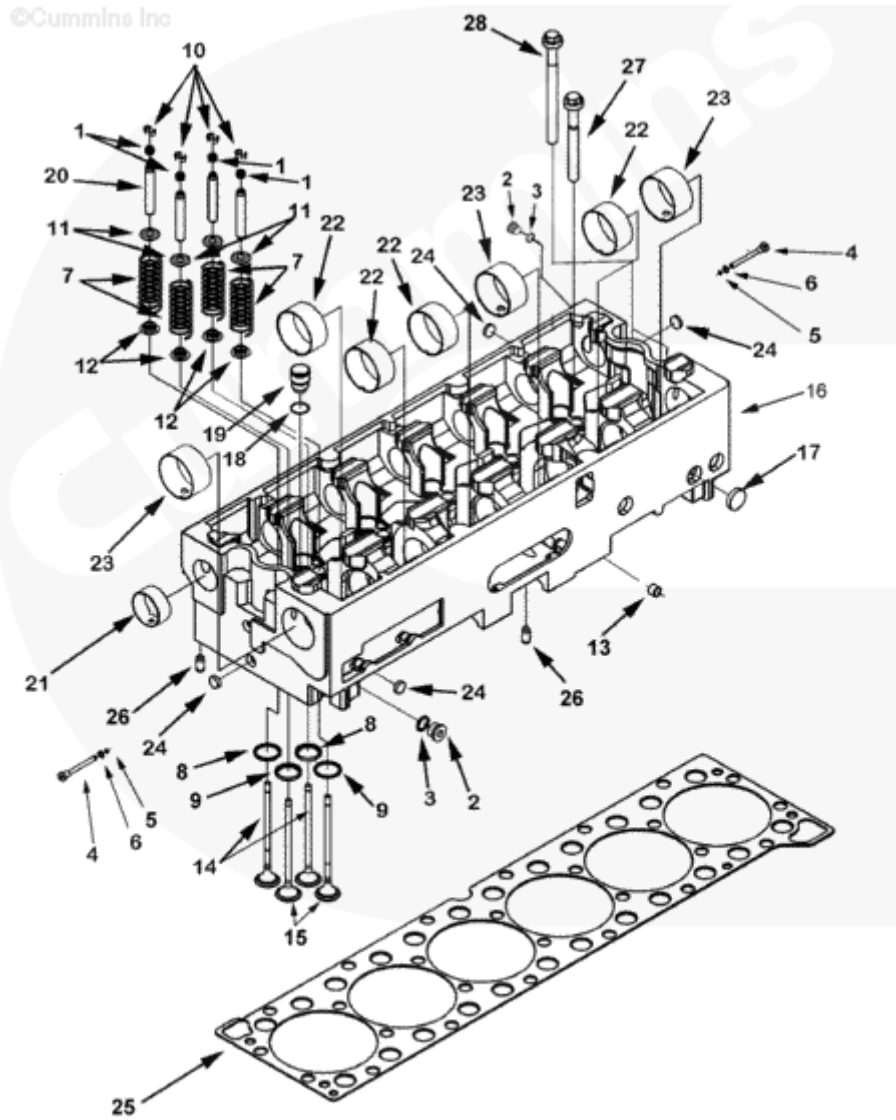
**02.01**    **CYLINDER HEAD**

**02.02**    **CAMSHAFT**

**02.02-1**    **CAMSHAFT GEAR**

FIG NO. 02.01

CYLINDER HEAD

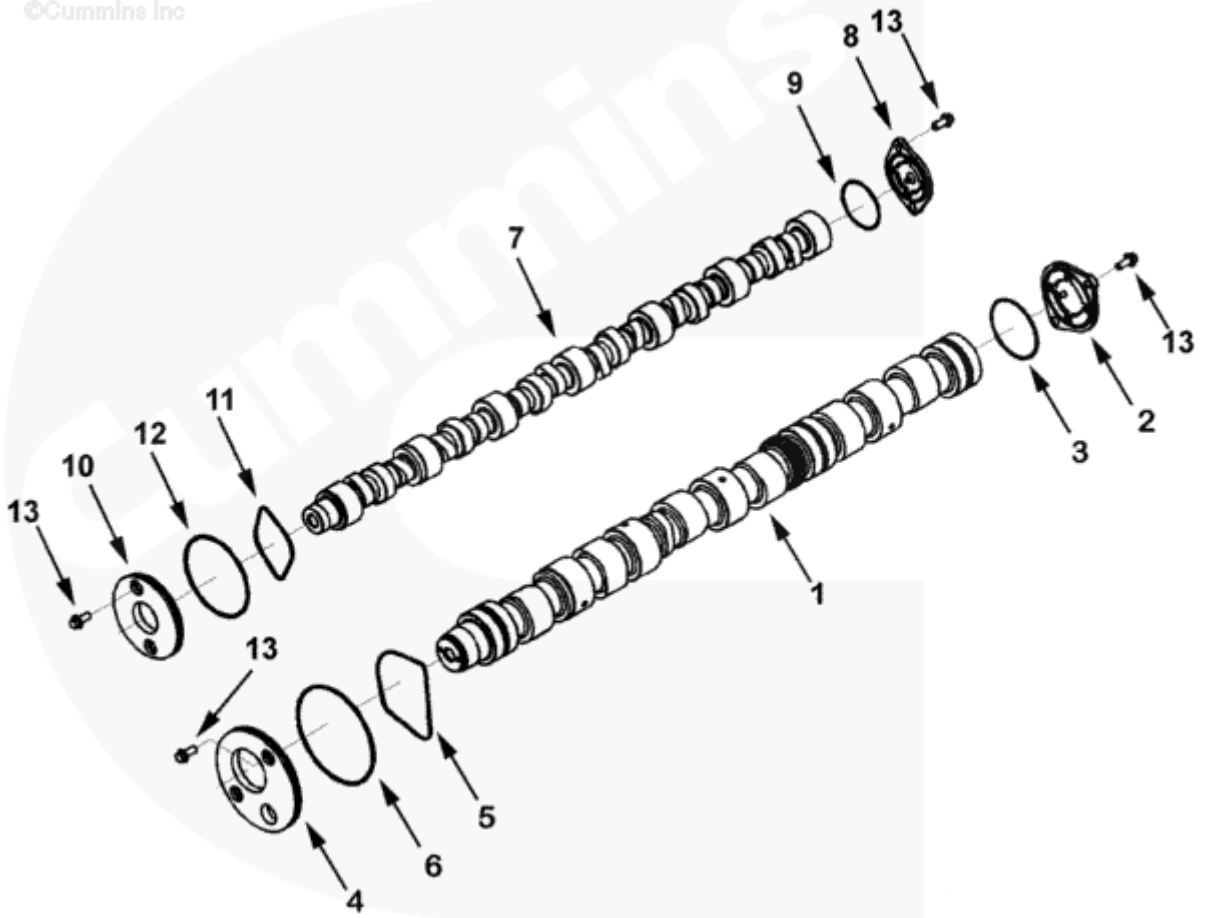


K E Y	L E V E L	PART NO.	DESCRIPTION	Q T Y	S / C	REMARK
1-A	1	4962732	HEAD,CYLINDER	1		INCL.1~24 (4962732NX)
1	2	4026791	SEAL,VALVE STEM	24		EXHAUST
2	2	3678611	PLUG,THREADED	3		INCL.3
3	3	3678606	SEAL,O RING	3		M27X2.0
4	2	4920470	PLUG,THREADED	6		INCL.4~5
5	3	3678603	SEAL,O RING	6		
6	3	3679122	SEAL,O RING	6		
7	2	4965891	SPRING,VALVE	24		
8	2	3683349	INSERT,VALVE	12		EXHAUST
9	2	4059215	INSERT,VALVE	12		INTAKE
10	2	3680883	COLLET,VALVE	48		
11	2	3680884	RETAINER,VALVE SPRING	24		
12	2	3680318	GUIDE,VALVE SPRING	24		
13	2	3911678	DOWEL,RING	2		
14	2	4101454	VALVE,EXHAUST	12		
15	2	4059326	VALVE,INTAKE	12		
16	2	4962731	HEAD,CYLINDER	1	N	serviced as [1-A]. (INCL.17~24)
17	3	3015865	PLUG,EXPANTION	7		
18	3	3678536	SEAL,RECTANGULAR RING	6		
19	3	3412352	SLEEVE,INJECTOR	6		
20	3	4026657	GUIDE,VALVE STEM	24		
21	3	3685690	BUSHING	7		
22	3	3680580	BUSHING	4		
23	3	3680581	BUSHING	3		
24	3	3813247	PLUG,EXPANTION	21		
25	1	3685834	GASKET,CYLINDER HEAD	1		
26	1	3901846	DOWEL,PIN	2		
27	1	3678506	SCREW,HEX FLANGE HEAD CAP	22		
28	1	3678804	SCREW,HEX FLANGE HEAD CAP	4		

FIG NO. 02.02

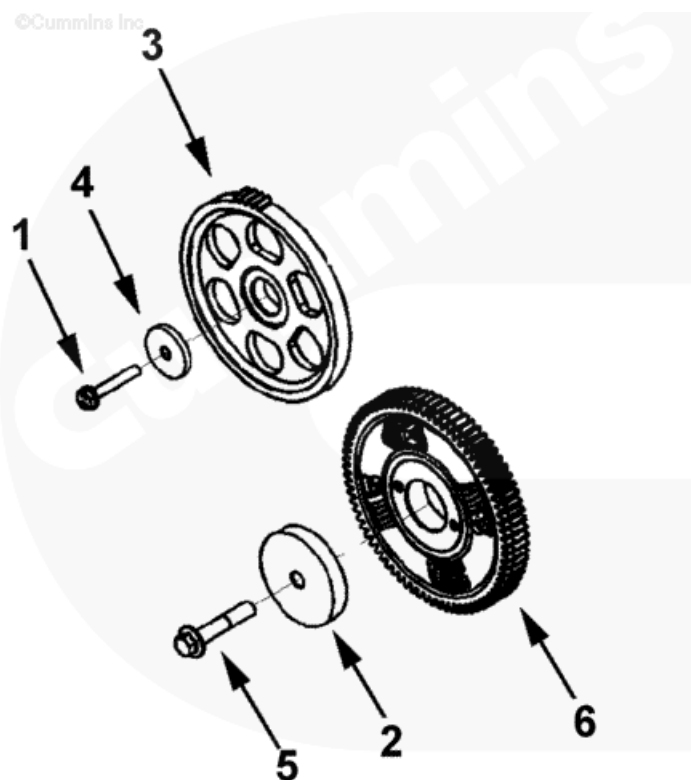
CAMSHAFT

©Cummins Inc





K E Y	L E V E L	PART NO.	DESCRIPTION	Q T Y	S / C	REMARK
1	1	4101476	CAMSHAFT	1		
2	1	4026588	COVER,CAMSHAFT	1		
3	1	4985660	SEAL,CAMSHAFT COVER	1		
4	1	3679929	SUPPORT,CAMSHAFT THRUST	1		
5	1	3679931	GASKET,CAMSHAFT COVER	1		
6	1	3679933	SEAL,O RING	1		
7	1	4059333	CAMSHAFT	1		
8	1	4026587	COVER,CAMSHAFT	1		
9	1	4985661	SEAL,CAMSHAFT COVER	1		
10	1	3679930	SUPPORT,CAMSHAFT THRUST	1		VALVE
11	1	3679932	GASKET,CAMSHAFT COVER	1		VALVE
12	1	3679934	SEAL,O RING	1		VALVE
13	1	3902460	SCREW,HEX FLANGE HEAD CAP	8		M10X1.50X25



K E Y	L E V E L	PART NO.	DESCRIPTION	Q T Y	S / C	REMARK
1	1	3678882	SCREW,HEX FLANGE HEAD CAP	1		
2	1	2869656	RETAINER,GEAR	1		
3	1	3680522	GEAR,CAMSHAFT	1	VALVE	
4	1	3680802	WASHER,PLAIN	1		
5	1	3680817	SCREW,HEX FLANGE HEAD CAP	1		
6	1	4101852	GEAR,CAMSHAFT	1	INJECTOR	

# **03**

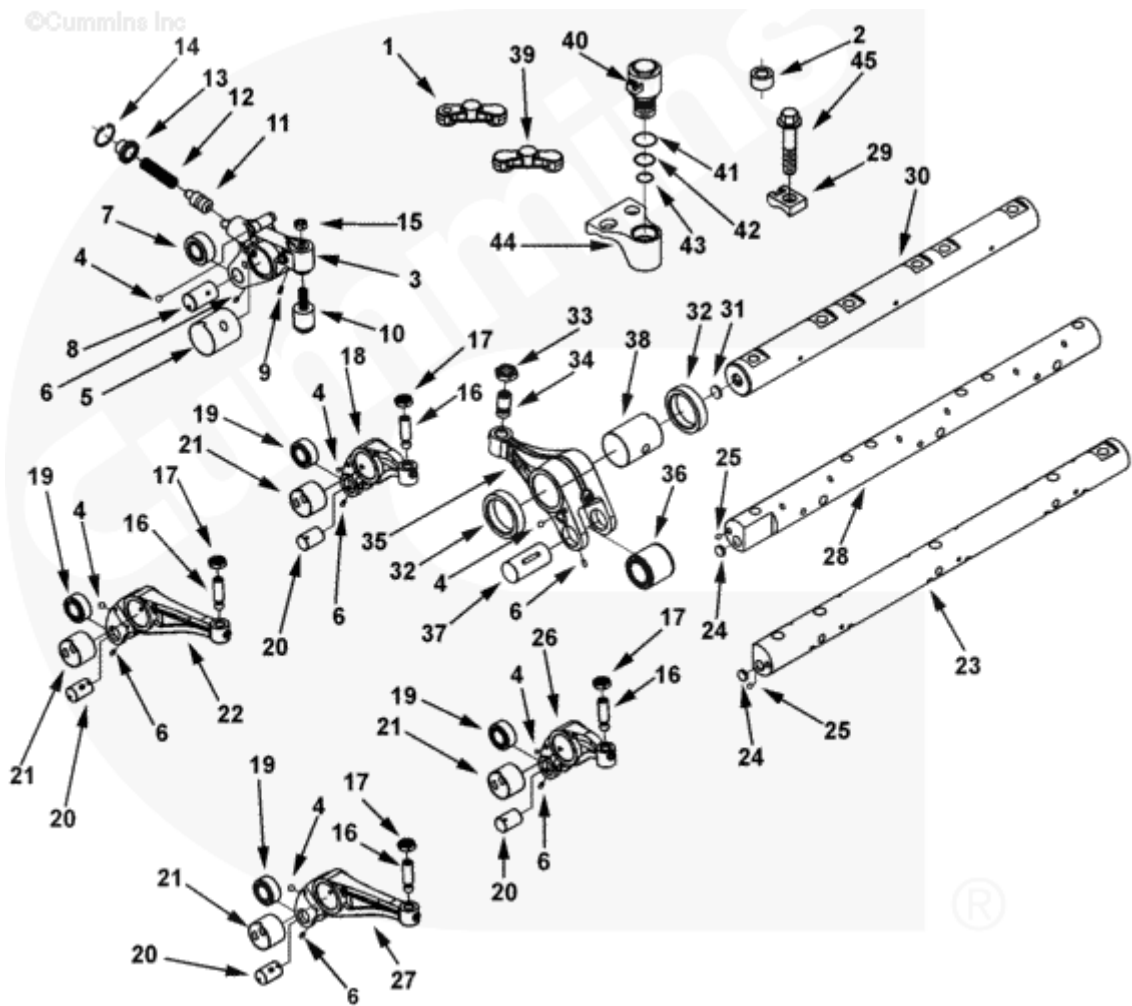
# **ROCKER LEVERS**

**03.01**    **ROCKER LEVER**

**03.01-1**    **VALVE COVER**

**03.02**    **CRANKCASE BREATHER**

**03.04**    **ENGINE BRAKE**



K E Y	L E V E L	PART NO.	DESCRIPTION	Q T Y	S / C	REMARK
1	1	4059329	CROSSHEAD,VALVE	6		
2	1	3412351	SPACER,MOUNTING	2		
1-A	1	4298199	LEVER,ENGINE BRAKE	3		INCL.3,10~15
3	2	3413127	LEVER,ENGINE BRAKE	3	N	serviced as [1-A]. INCL.4~9
4	3	3067941	PLUG,BALL	3		
5	3	3413133	BUSHING	3	N	
6	3	3679504	PIN,SPIRAL	3	N	
7	3	3679914	ROLLER,CAM FOLLOWER	3	N	
8	3	3680173	PIN,CAM FOLLOWER ROLLER	3		
9	3	3871558	PLUG,PIPE	3		
10	2	4952463	PISTON,ENGINE BRAKE SLAVE	3		
11	2	3413129	VALVE,CHECK	3		
12	2	4059315	SPRING,COMPRESSION	3		
13	2	3413131	COVER,ACTUATOR	3		
14	2	3413132	RING,RETAINING	3		
15	2	3679921	NUT,REGULAR HEXAGON JAM	3		
2-A	1	4972816	LEVER,ROCKER	3		EXHAUST FRONT (INCL.16~18)
16	2	4059377	SCREW,ROCKER LEVER ADJUSTING	3		
17	2	3679694	NUT,REGULAR HEXAGON JAM	3		
18	2	4059294	LEVER,ROCKER	3		INCL.4,19~21,6
4	3	3067941	PLUG,BALL	3		
19	3	4965762	ROLLER,CAM FOLLOWER	3	N	
20	3	4026779	PIN,CAM FOLLOWER ROLLER	3	N	
21	3	4059282	BUSHING	3		
6	3	3679504	PIN,SPIRAL	3	N	
3-A	1	4972818	LEVER,ROCKER	3		INTAKE FRONT (INCL.16~17,22)
16	2	4059377	SCREW,ROCKER LEVER ADJUSTING	3		
17	2	3679694	NUT,REGULAR HEXAGON JAM	3		

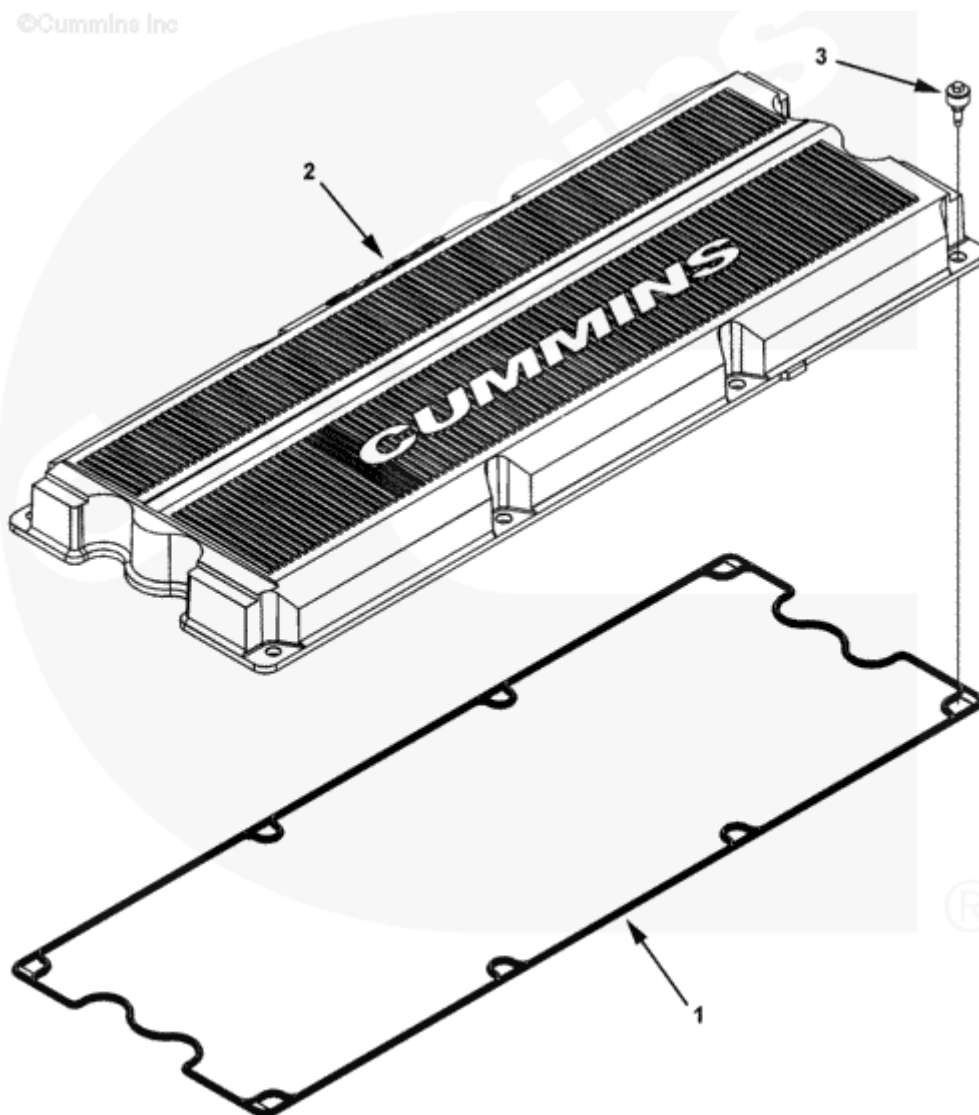
K E Y	L E V E L	PART NO.	DESCRIPTION	Q T Y	S / C	REMARK
22	2	4059351	LEVER,ROCKER	3		INCL.4,19~21,6
4	3	3067941	PLUG,BALL	3		
19	3	4965762	ROLLER,CAM FOLLOWER	3	N	
20	3	4026780	PIN,CAM FOLLOWER ROLLER	3		
21	3	4059282	BUSHING	3		
6	3	3679504	PIN,SPIRAL	3	N	
23	1	4059304	SHAFT,ROCKER LEVER	1		INCL.24~25
24	2	3105973	PLUG,DRIVE	2	N	
25	2	3105974	PLUG,BALL	2	N	
4-A	1	4972817	LEVER,ROCKER	3		EXHAUST REAR (INCL.16,17,26)
16	2	4059377	SCREW,ROCKER LEVER ADJUSTING	3		
17	2	3679694	NUT,REGULAR HEXAGON JAM	3		
26	2	4059297	LEVER,ROCKER	3		INCL.4,19~21,6
4	3	3067941	PLUG,BALL	3		
19	3	4965762	ROLLER,CAM FOLLOWER	3	N	
20	3	4026780	PIN,CAM FOLLOWER ROLLER	3	N	
21	3	4059282	BUSHING	3		
6	3	3679504	PIN,SPIRAL	3	N	
5-A	1	4972819	LEVER,ROCKER	3		INTAKE REAR (INCL.16,17,27)
16	2	4059377	SCREW,ROCKER LEVER ADJUSTING	3		
17	2	3679694	NUT,REGULAR HEXAGON JAM	3		
27	2	4059353	LEVER,ROCKER	3		INCL.4,19~21,6
4	3	3067941	PLUG,BALL	3		
19	3	4965762	ROLLER,CAM FOLLOWER	3	N	
20	3	4026779	PIN,CAM FOLLOWER ROLLER	3	N	
21	3	4059282	BUSHING	3		
6	3	3679504	PIN,SPIRAL	3	N	
28	1	4059306	SHAFT,ROCKER LEVER	1		INCL.24~25

K E Y	L E V E L	PART NO.	DESCRIPTION	Q T Y	S / C	REMARK
24	2	3105973	PLUG,DRIVE	2	N	
25	2	3105974	PLUG,BALL	2	N	
29	1	3679427	CLAMP,RETAINING	4		
30	1	3679418	SHAFT,ROCKER LEVER	1		INCL.31
31	2	3105972	PLUG,DRIVE	2	N	
32	1	4059197	SPACER,THRUST RING	6		
6-A	1	3680169	LEVER,ROCKER	1	N	INCL.33~35
33	2	3680057	NUT,REGULAR HEXAGON JAM	1		
34	2	3680058	SCREW,ROCKER LEVER ADJUSTING	1		
35	2	3680167	LEVER,ROCKER	1	N	serviced as [6-A]. (INCL.4,6,36~38)
4	3	3067941	PLUG,BALL	3		
6	3	3679504	PIN,SPIRAL	1	N	
36	3	3679868	ROLLER,CAM FOLLOWER	1	N	
37	3	3679869	PIN,CAM FOLLOWER ROLLER	1	N	
38	3	3679870	BUSHING	1	N	
39	1	4059342	CROSSHEAD,VALVE	6		
7-A	1	4026536	VALVE,ENGINE BRAKE	3		INCL.40~44
40	2	4026538	SOLENOID,ENGINE BRAKE	3		service kit.[S-3]
41	2	4026537	SEAL,RECTANGULAR RING	3		
42	2	3871218	SEAL,RECTANGULAR RING	3		
43	2	3871638	SEAL,RECTANGULAR RING	3		
44	2	3680937	BODY,ENGINE BRAKE VALVE	3		
45	1	3681221	SCREW,HEX FLANGE HEAD CAP	24		
S-1	0	4059414	ASSY,ROCKER LEVER	1		INCL.1-A,2-A,3-A,23
S-2	0	4059415	ASSY,ROCKER LEVER TLA	1	N	INCL.1-A,4-A,5-A,28
S-3	0	3800942	KIT,SOLENOID, ENGINE BRAKE	1		INCL.40~43



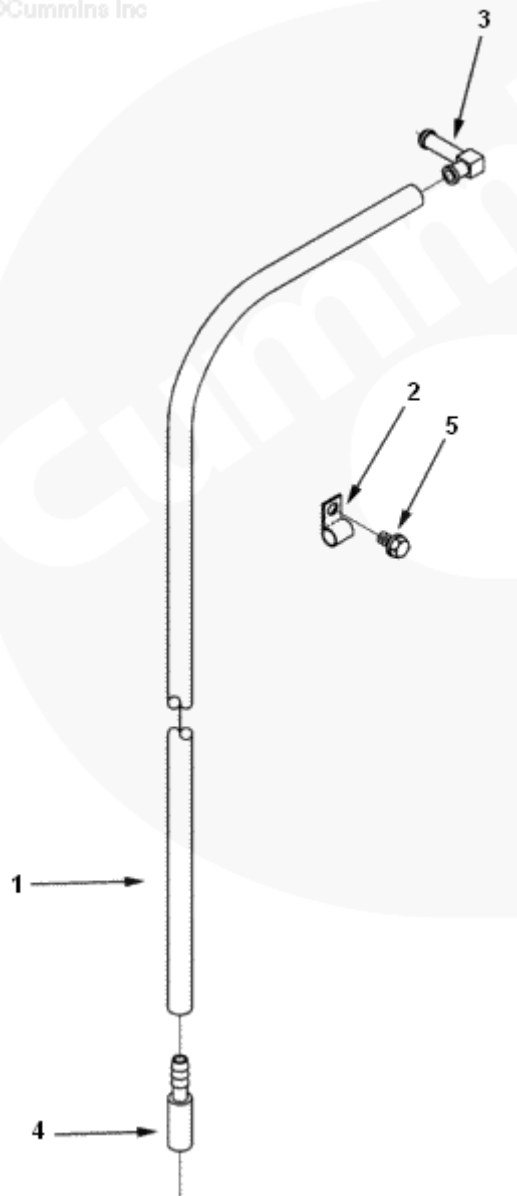
FIG NO. 03.01-1

VALVE COVER



KEY	LEVEL	PART NO.	DESCRIPTION	QTY	S/C	REMARK
1-A	1	3687085	COVER,VALVE	1		
1	2	3104392	GASKET,VALVE COVER	1		
2	2	3687082	COVER,VALVE	1		
3	2	3104388	ISOLATOR,VALVE	1		

©Cummins Inc



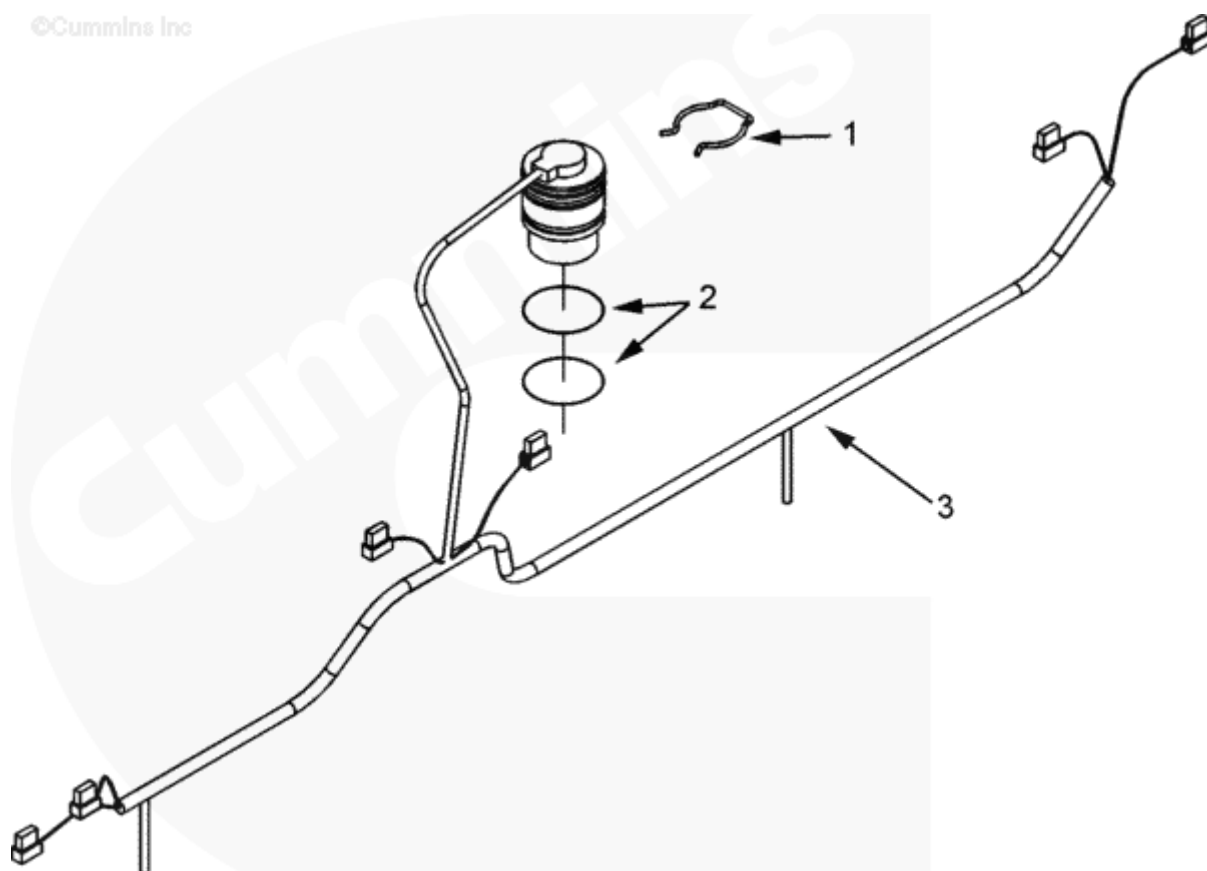
CRANKCASE BREATHER

KEY	LEVEL	PART NO.	DESCRIPTION	QTY	S/C	REMARK
1	1	4004764	HOSE,PLAIN	1		
2	1	107460	CLIP	1		
3	1	3047134	TUBE,BREATHER	1		
4	1	3819475	TUBE,BREATHER	1		
5	1	3901249	SCREW,HEX FLANGE HEAD CAP	1		M12X1.75X25

FIG NO. 03.04

# ENGINE BRAKE

©Cummins Inc



KEY	LEVEL	PART NO.	DESCRIPTION	QTY	S/C	REMARK
1-A	1	4955946	KIT,WIRING HARNESS	1		INCL.1~3
1	2	4026251	CLIP	1		
2-A	2	2864398	HARNESS,WIRING	1	N	INCL.2~3, serviced as [1-A]
2	3	3052586	SEAL,O RING	2		
3	3	2864397	HARNESS,WIRING	1	N	serviced as [1-A]

# **05**

# **FUEL SYSTEM**

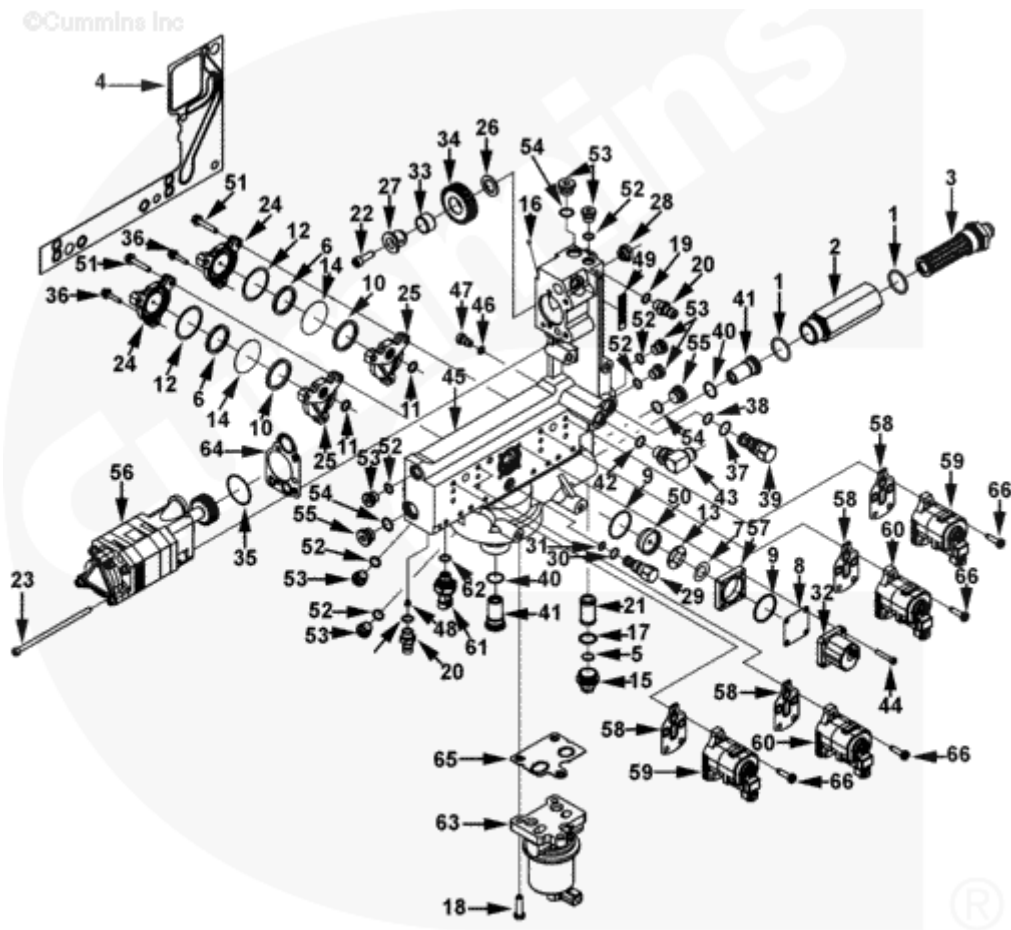
**05.01 FUEL PUMP**

**05.01-1 FUEL PUMP MOUNTING**

**05.06-1 ELECTRONIC CONTROL MODULE(E.C.M.)**

FIG NO. 05.01

# FUEL PUMP





K E Y	L E V E L	PART NO.	DESCRIPTION	Q T Y	S / C	REMARK
1-A	1	4025634	HOUSING,FILTER	1		INCL.1~3
1	2	3678846	SEAL,O RING	2		
2	2	4076589	HOUSING,FILTER	1	N	serviced as [1-A]
3	2	4076591	SCREEN,FILTER	1	N	serviced as [1-A]
4	1	4965689	GASKET,FUEL CONTROL HOUSING	1		
5	1	70700	SPRING,COMPRESSION	1		
6	1	100099	SEAL,RECTANGULAR RING	2		
7	1	129768	SPRING,VALVE	1		
8	1	129839	SHIELD,SHUTOFF VALVE	1		
9	1	129888	SEAL,RECTANGULAR RING	2		
10	1	139988	SEAL,RECTANGULAR RING	2		
11	1	151900	SEAL,RECTANGULAR RING	2		
12	1	160514	WASHER,PLAIN	2		1 11/16 INCH
13	1	196057	DISC,VALVE	1		
14	1	202897	DIAPHRAGM,FUEL PUMP DAMPER	2		
15	1	3014575	CAP,FUEL PUMP FILTER	1		
16	1	3014575	BALL	1	N	
17	1	3021123	SEAL,O RING	1		
18	1	3025806	SCREW,SOCKET HEAD CAP	3		M8X1.25X30
2-A	1	3042619	NIPPLE,COUPLING	2		INCL.19~20
19	2	3037537	SEAL,O RING	2		
20	2	3042620	NIPPLE,COUPLING	2		
21	1	3090769	SCREEN,FILTER	1		
22	1	3330019	SCREW,SOCKET HEAD CAP	1		
23	1	3330022	SCREW,SOCKET HEAD CAP	4		
24	1	3330651	COVER,FUEL PUMP DAMPER	2		
25	1	3330652	BODY,FUEL PUMP DAMPER	2		
26	1	3330719	PLATE,THRUST BEARING	1		

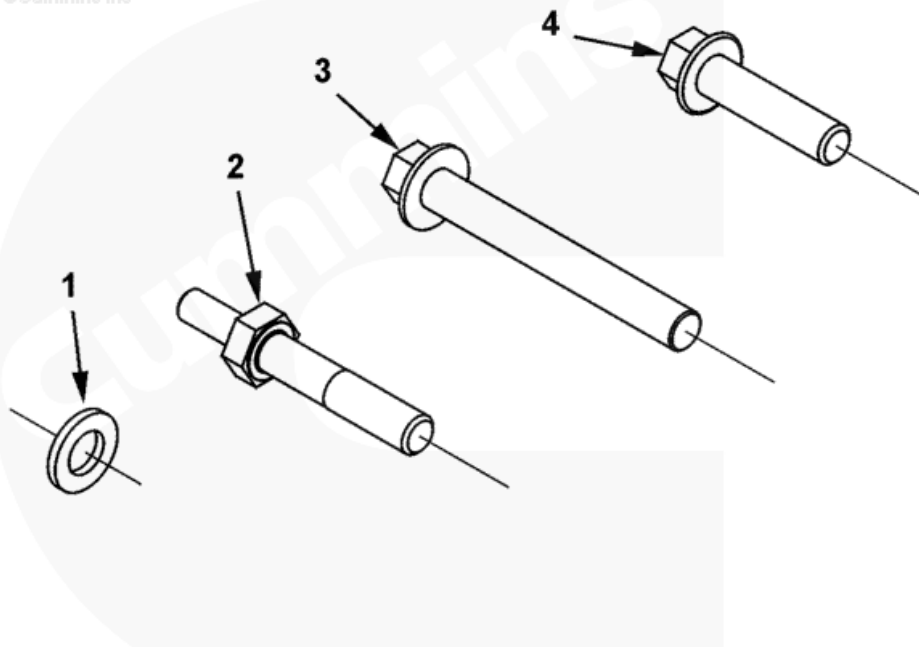
K E Y	L E V E L	PART NO.	DESCRIPTION	Q T Y	S / C	REMARK
27	1	3330720	SHAFT,IDLER	1		
28	1	3331275	RETAINER,SHAFT	1		
3-A	1	3348322	VALVE,PRESSURE REGULATOR	1		INCL.29~31
29	2	3348323	VALVE,PRESSURE REGULATOR	1	N	serviced as [3-A]
30	2	4062369	SEAL,O RING	1		
31	2	3867640	SEAL,O RING	1		
32	1	3408421	SOLENOID	1	N	serviced as [S-2]
4-A	1	3867093	GEAR,IDLER	1	N	INCL.33~34
33	2	3330639	BUSHING	1	N	
34	2	3867094	GEAR,IDLER	1	N	
35	1	3867481	SEAL,O RING	1		
36	1	3902023	SCREW,HEX FLANGE HEAD CAP	2		M6X1.00X25
5-A	1	4001926	VALVE,PRESSURE REGULATOR	1		INCL.37~39
37	2	3330478	SEAL,O RING	1		
38	2	3867641	SEAL,O RING	1		
39	2	4001925	VALVE,PRESSURE REGULATOR	1	N	serviced as [5-A]
6-A	1	4010077	VALVE,CHECK	2		INCL.40~41
40	2	3089240	SEAL,O RING	2		
41	2	4010078	VALVE,CHECK	2	N	serviced as [6-A]
7-A	1	3417138	ELBOW,MALE ADAPTER	1		INCL.42~43
42	2	3679139	SEAL,O RING	1		
43	2	3417139	ELBOW,MALE ADAPTER	1	N	serviced as [7-A]
44	1	4076471	SCREW,SOCKET HEAD CAP	4		
45	1	4984297	HOUSING,FUEL CONTROL	1	N	
8-A	1	4076593	VALVE,CHECK	2		INCL.46~47
46	2	3678925	SEAL,O RING	2		
47	2	4076594	VALVE,CHECK	2	N	serviced as [8-A]
48	1	4076599	PLUG,ORIFICE	1		

K E Y	L E V E L	PART NO.	DESCRIPTION	Q T Y	S / C	REMARK
49	1	4077139	TAG,IDENTIFICATION	1	N	
50	1	4088274	DISC,ACTUATOR	1		
51	1	4088450	SCREW,HEX FLANGE HEAD CAP	4		
9-A	1	4088806	PLUG,THREADED	6		INCL.52~53
52	2	3678912	SEAL,O RING	6		
53	2	4088802	PLUG,THREADED	6	N	serviced as [9-A]
10-A	1	4088807	PLUG,THREADED	3		INCL.54~55
54	2	3678786	SEAL,O RING	3		
55	2	4088803	PLUG,THREADED	3	N	serviced as [10-A]
56	1	4088848	PUMP,GEAR FUEL	1		
57	1	4088863	HOUSING,ACTUATOR	1		
58	1	4902789	GASKET,ACTUATOR	4		
59	1	4902904	ACTUATOR,METERING	2	N	serviced as [S-3]
60	1	4902905	ACTUATOR,TIMING	2	N	serviced as [S-4]
61	1	4921499	SENSOR,PRESSURE	1		FUEL (INCL.62)
62	2	4010519	SEAL,O RING	1		
63	1	4935095	PUMP,FUEL PRIMING	1		
64	1	2872195	GASKET,SUPPORT	1		
65	1	4954473	GASKET,FUEL PUMP	1		
66	1	4954670	SCREW,PAN HEAD CAP	12		
S-1	0	4025255	KIT,IFSM SERVICE/REPAIR	1		SEALS,GASKETS
S-2	0	4024808	KIT,FUEL SOLENOID	1		INCL.9,32
S-3	0	4089980	KIT,ACTUATOR	1		INCL.58,59,66 (4089980NX)
S-4	0	4089981	KIT,ACTUATOR	1		INCL.58,60,66 (4089981NX)

FIG NO. 05.01-1

# FUEL PUMP MOUNTING

©Cummins Inc



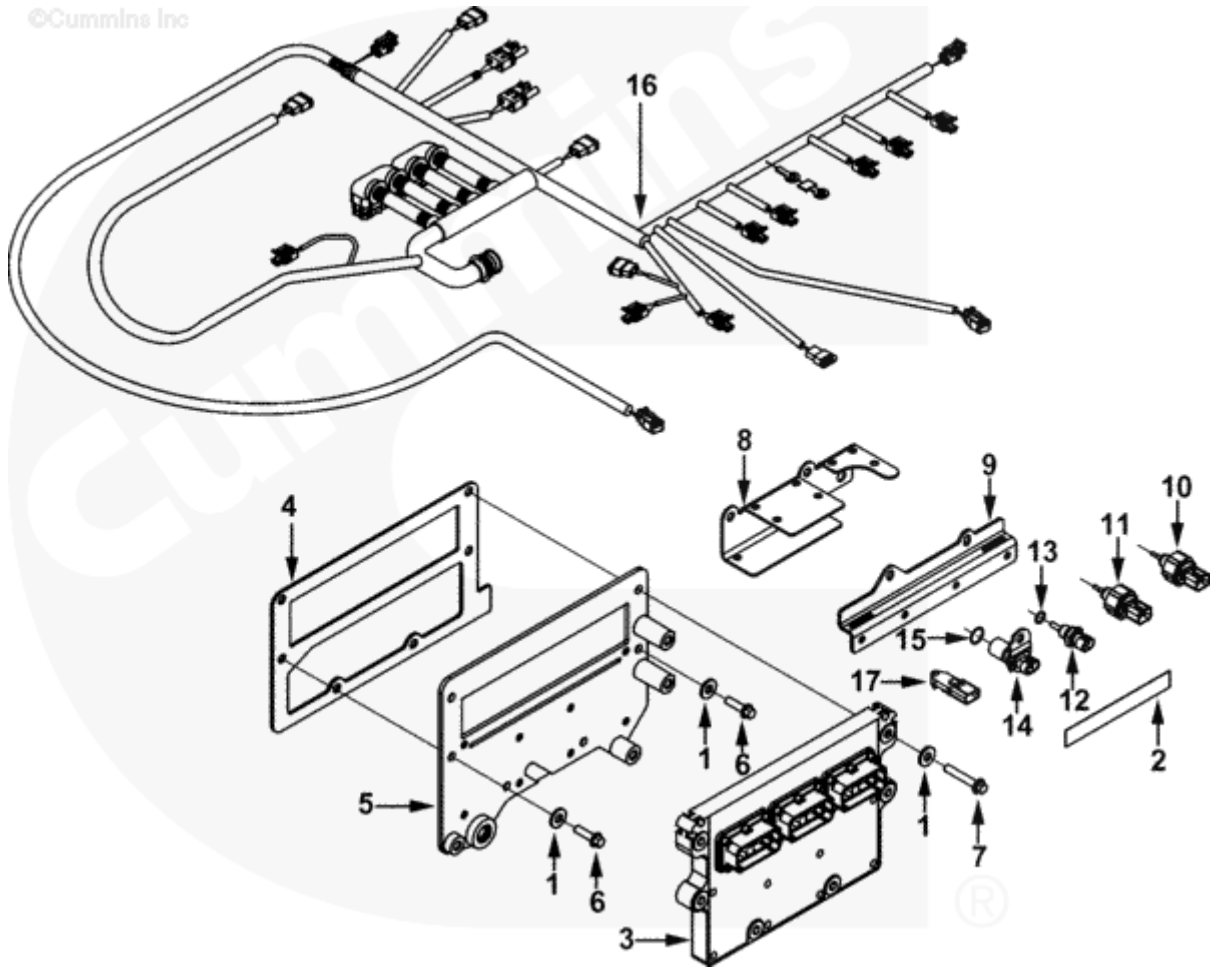
FUEL PUMP MOUNTING

KEY	LEVEL	PART NO.	DESCRIPTION	QTY	S/C	REMARK
1	1	3009330	WASHER,PLAIN	1		M10
2	1	3883397	SCREW,HEXAGON HEAD CAP	1		
3	1	3896408	SCREW,HEX FLANGE HEAD CAP	2		
4	1	3903464	SCREW,HEX FLANGE HEAD CAP	2		M10X1.50X40

FIG NO. 05.06-1

# ELECTRONIC CONTROL MODULE(E.C.M.)

©Cummins Inc



**ELECTRONIC CONTROL MODULE(E.C.M.)**

<b>K E Y</b>	<b>L E V E L</b>	<b>PART NO.</b>	<b>DESCRIPTION</b>	<b>Q T Y</b>	<b>S / C</b>	<b>REMARK</b>
1	1	146161	WASHER,PLAIN	4		3/8 INCH
2	1	3161910	DATAPLATE	1		
3	1	3408501	MODULE,ELECTRONIC CONTROL	1		
4	1	3680284	GASKET,ELEC CONTROL MODULE	1		
5	1	3681059	PLATE,COOLER	1		
6	1	3900630	SCREW,HEX FLANGE HEAD CAP	4		M8X1.25X20
7	1	3925402	SCREW,HEX FLANGE HEAD CAP	6		M8X1.25X50
8	1	4026680	BRACE,WIRING	1		
9	1	4059191	BRACKET,CUS ACCESSORY	1		
10	1	4921473	SENSOR,PRESSURE TEMPERATURE	1		intake manifold,boost air sensor
11	1	4921475	SENSOR,PRESSURE TEMPERATURE	1		oil temp/pressure
12	1	4954905	SENSOR,TEMPERATURE	1		coolant/oil/fuel (INCL.13)
13	2	4010519	SEAL,O RING	1		
14	1	4921599	SENSOR,POSITION	1		cam/crank (INCL.15)
15	2	4010600	SEAL,O RING	1		
16	1	4952742	HARNESS,WIRING	1		INCL.17
17	2	4076493	SENSOR,PRESSURE	1		ambient air

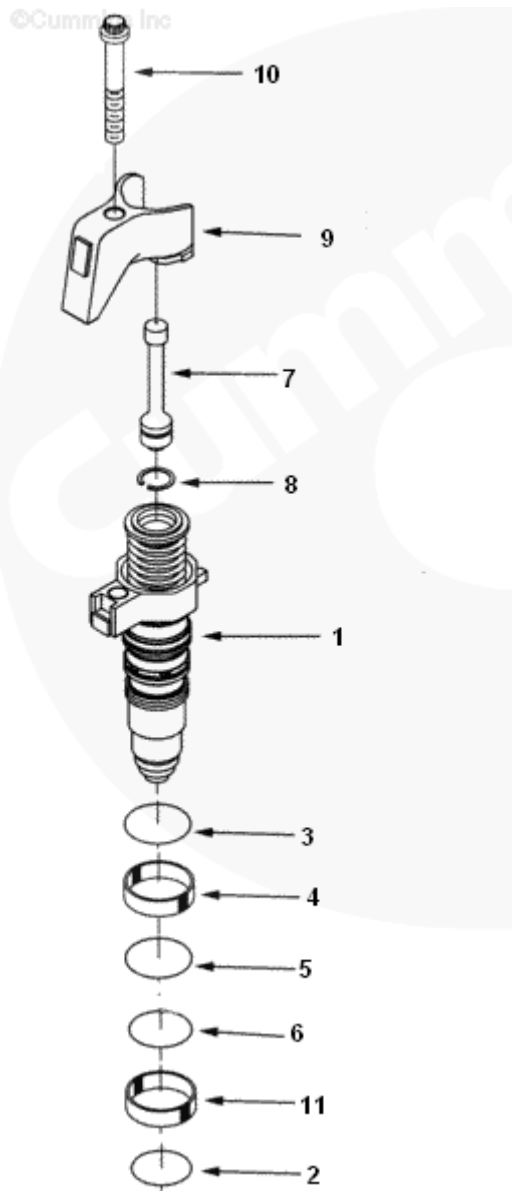
**06**

# **FUEL LINES/INJECTORS**

**06.01 INJECTOR**

**06.04 FUEL FILTER**





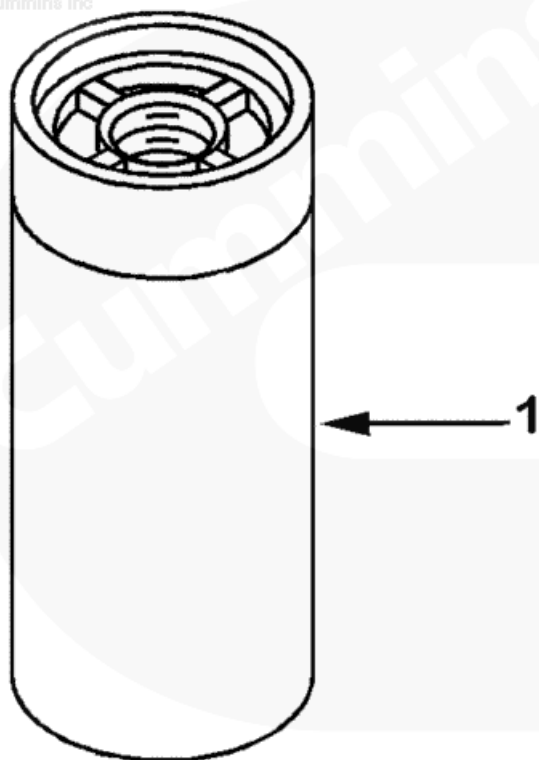
## INJECTOR

K E Y	L E V E L	PART NO.	DESCRIPTION	Q T Y	S / C	REMARK
1	1	4088301	INJECTOR	6		INCL.2~8,2-A (4088301RX)
2	2	3347937	SEAL,O RING	6		GREEN
3	2	3347939	SEAL,O RING	6		BLACK
4	2	4009692	SCREEN,FILTER	6		
5	2	3330537	SEAL,O RING	6		
6	2	3330538	SEAL,O RING	6		
1-A	2	3347867	LINK,INJECTOR PLUNGER	6		INCL.7~8
7	3	3330607	LINK,INJECTOR PLUNGER	6	N	serviced as [1-A]
8	3	3867742	RETAINER,INJECTOR LINK	6		
2-A	2	4954650	CLIP,WIRE RETAINING	1		
9	1	4010231	CLAMP,INJECTOR	6		
10	1	3679102	SCREW,TWELVE POINT CAP	6		
11	1	3087316	SCREEN,FILTER	6		

FIG NO. 06.04

FUEL FILTER

©Cummins Inc



FUEL FILTER

KEY	LEVEL	PART NO.	DESCRIPTION	QTY	S/C	REMARK
1	1	3101872	FILTER,FUEL	1		FS-1040

# **07**

# **LUBRICATING SYSTEM**

**07.01 OIL PAN**

**07.02 OIL LEVEL GAUGE**

**07.02-2 OIL FILLER ARRANGEMENT**

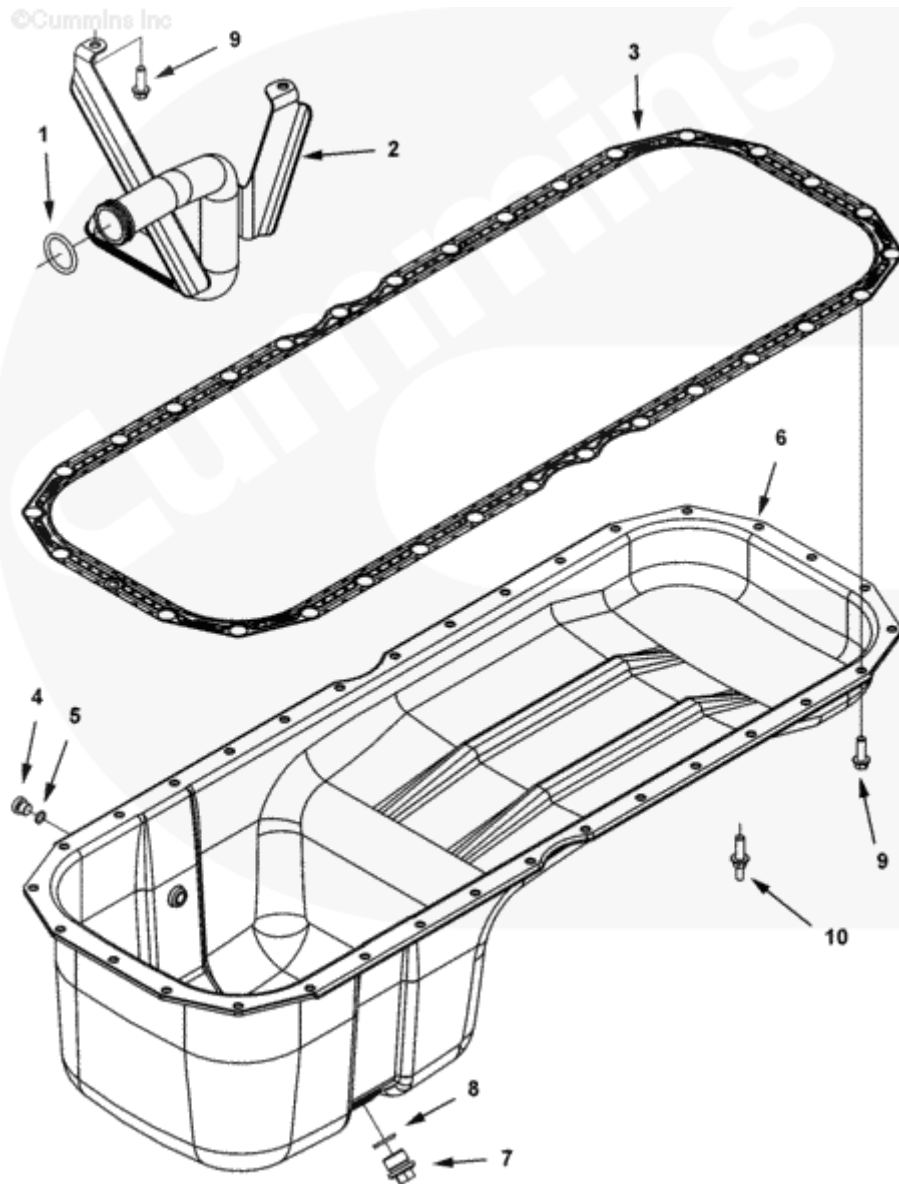
**07.03 FULL FLOW OIL FILTER**

**07.05 ENGINE OIL COOLER**

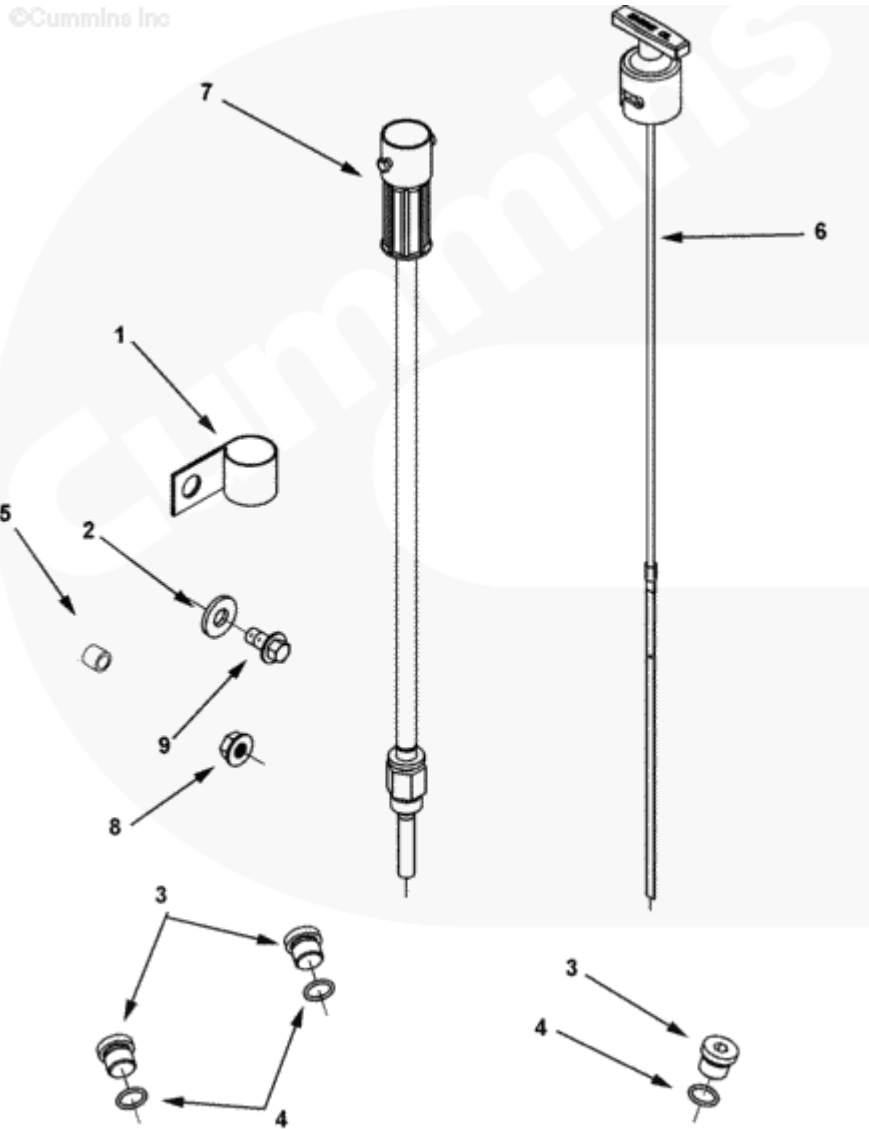
**07.06 LUBE OIL PUMP**

FIG NO. 07.01

OIL PAN



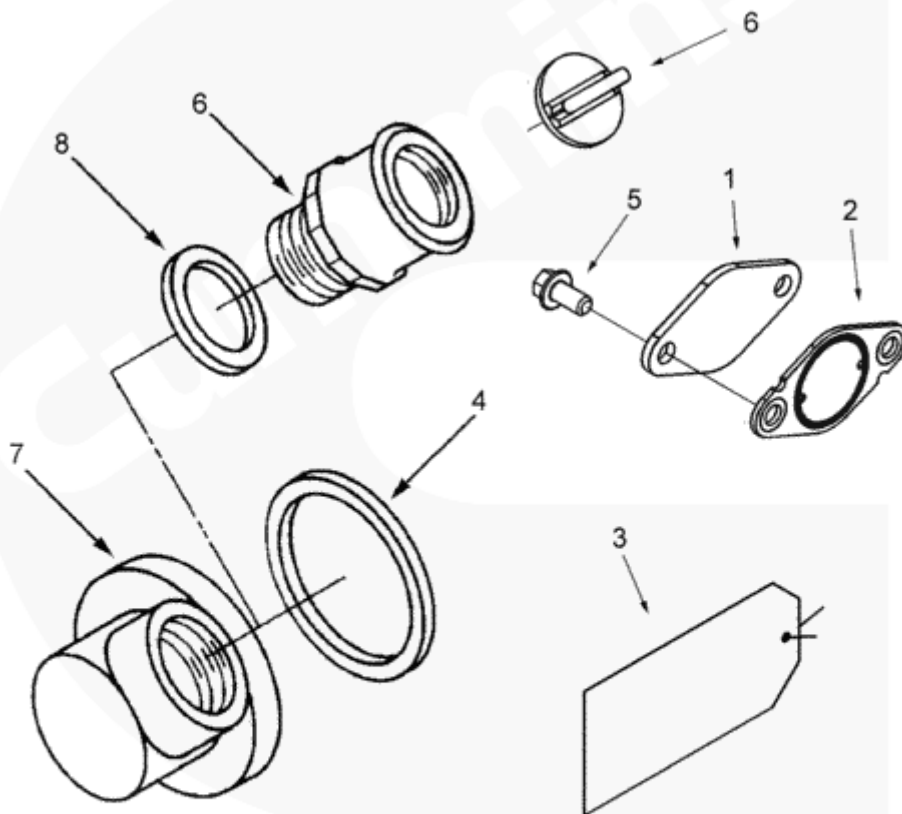
K E Y	L E V E L	PART NO.	DESCRIPTION	Q T Y	S / C	REMARK
1	1	3678756	SEAL,O RING	1		
2	1	4918022	CONNECTION,OIL SUCTION	1		
3	1	4026684	GASKET,OIL PAN	1		
1-A	1	4952540	PAN,OIL TLA	1		INCL.2~A,6,3-A
2-A	2	3680420	PLUG,THREADED	1		INCL.4~5
4	3	3680419	PLUG,THREADED	1	N	serviced as [2-A]
5	3	3678912	SEAL,O RING	1		
6	2	4952541	PAN,OIL	1	N	serviced as [1-A]
3-A	2	4926565	PLUG,THREADED	2		INCL.7~8
7	3	4926564	PLUG,THREADED	2	N	serviced as [3-A]
8	3	3678606	SEAL,O RING	2		M27X2.0
9	1	3903112	SCREW,HEX FLANGE HEAD CAP	22		M10X1.50X30
10	1	4026812	STUD	12		





K E Y	L E V E L	PART NO.	DESCRIPTION	Q T Y	S / C	REMARK
1	1	4026589	CLIP	1		
2	1	146161	WASHER,PLAIN	1		3/8 INCH
3	1	3678873	PLUG,THREADED	3		INCL.4
4	2	3678786	SEAL,O RING	3		
5	1	4026798	SPACER,MOUNTING	1		
1-A	1	4026891	DIPSTICK	1		INCL.6-7
6	2	4026889	CAP,DIPSTICK	1		
7	2	4059199	TUBE,OIL GAUGE	1		
8	1	3900589	NUT,HEXAGON FLANGE	1		M8X1.25
9	1	3903096	SCREW,HEX FLANGE HEAD CAP	1		M8X1.25X70

©Cummins Inc



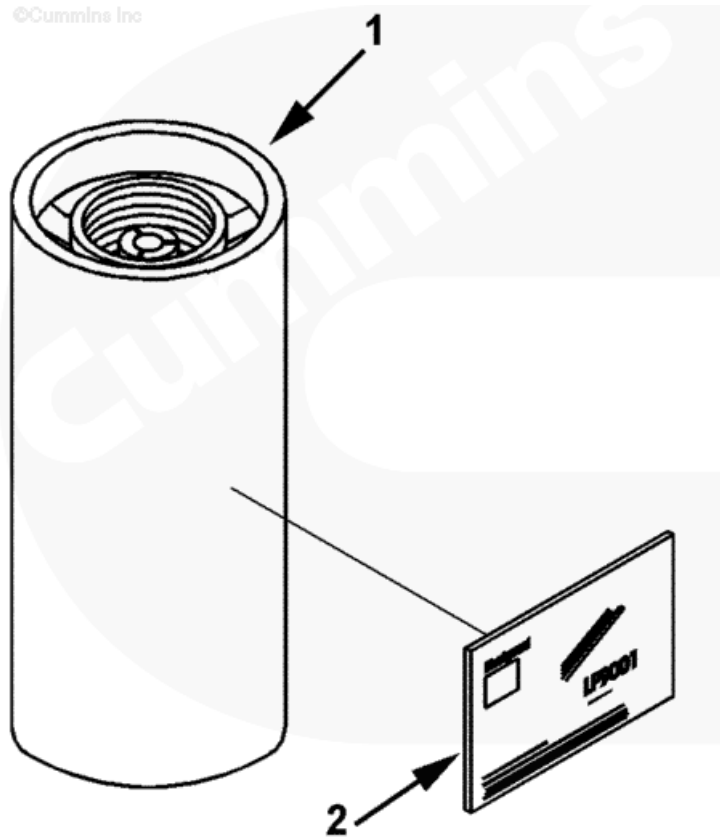
## OIL FILLER ARRANGEMENT

K E Y	L E V E L	PART NO.	DESCRIPTION	Q T Y	S / C	REMARK
1	1	3680371	PLATE,COVER	1		
2	1	3025295	COVER,CAMSHAFT	1		
		3104119	GASKET,COVER PLATE	1		
3	1	3892253	TAG,INSTRUCTION	1		
4	1	4962610	SEAL,RECTANGULAR RING	1		
5	1	3903990	SCREW,HEXAGON HEAD CAP	2	M10x1.5x20	
6	1	4962608	CAP,FILLER	1		
7	1	4962605	CONNECTION,OIL FILLER	1		
8	1	4962609	SEAL,RECTANGULAR RING	1		

FIG NO. 07.03

# FULL FLOW OIL FILTER

©Cummins Inc

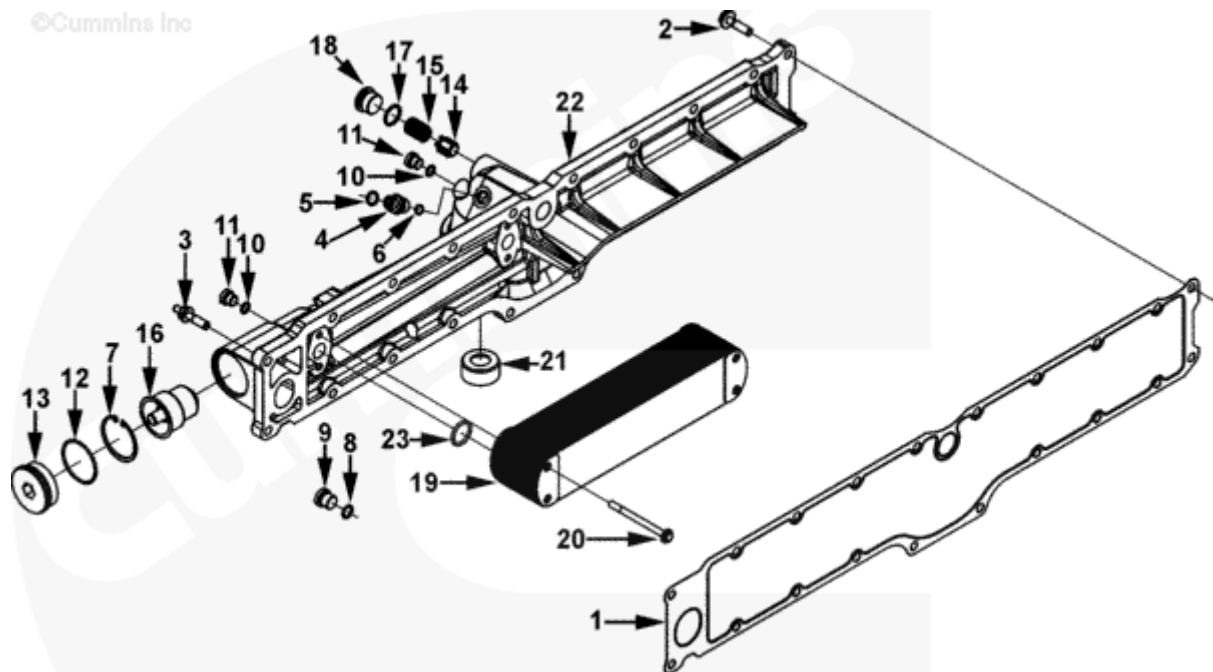


FULL FLOW OIL FILTER

KEY	LEVEL	PART NO.	DESCRIPTION	QTY	S/C	REMARK
1	1	2882674	FILTER,LUBRICATING OIL	1		LF-9001
2	1	2882672	DECAL	1	N	

FIG NO. 07.05

# ENGINE OIL COOLER



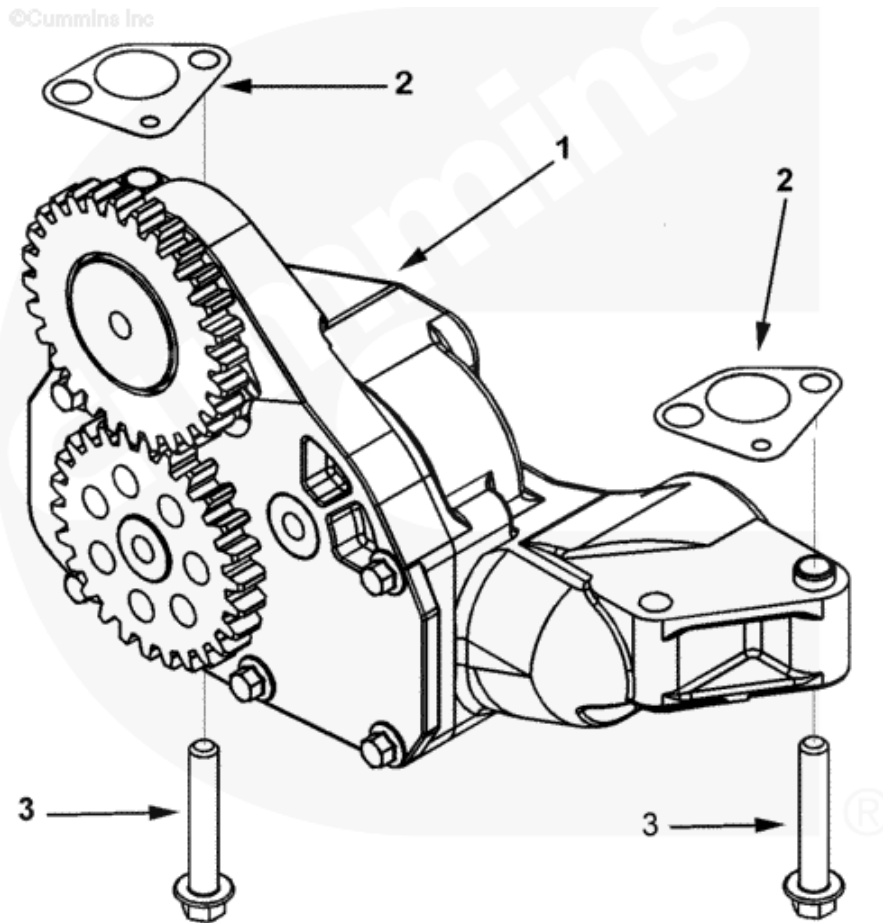
K E Y	L E V E L	PART NO.	DESCRIPTION	Q T Y	S / C	REMARK
1	1	3104232	GASKET,LUB OIL COOLER HOUSING	1		service kit [S-1]
2	1	3417474	SCREW,CAPTIVE WASHER CAP	15		M10x1.5x40
3	1	3681927	SCREW,CAPTIVE WASHER CAP	5		
1-A	1	3678873	PLUG,THREADED	1		INCL.8~9
8	2	3678786	SEAL,O RING	1		
9	2	3678791	PLUG,THREADED	1	N	serviced as [1-A]
2-A	1	3678921	PLUG,THREADED	1		INCL.10~11
10	2	3678912	SEAL,O RING	1		
11	2	3678922	PLUG,THREADED	1	N	serviced as [2-A]
3-A	1	4965902	HEAD,OIL FILTER COOLER	1		INCL.4-A,7,2-A,5-A,14~16,6-A,19~20,7-A,23
4-A	2	3090400	UNION,MALE	1		INCL.4~6
4	3	3090419	UNION,MALE	1		
5	3	3679139	SEAL,O RING	1		
6	3	3922794	SEAL,O RING	1		
7	2	3411881	RING,RETAINING	1		
2-A	2	3678921	PLUG,THREADED	1		INCL.10~11
10	3	3678912	SEAL,O RING	1		
11	3	3678922	PLUG,THREADED	1	N	serviced as [2-A]
5-A	2	3679880	PLUG,THREADED	1		INCL.12~13
12	3	3089025	SEAL,O RING	1		
13	3	3679881	PLUG,THREADED	1	N	serviced as [5-A]
14	2	3820320	PLUNGER,BYPASS VALVE	1		
15	2	3882586	SPRING,COMPRESSION	1		
16	2	4952629	THERMOSTAT	1		
6-A	2	4952760	PLUG,THREADED	1		INCL.17~18
17	3	3678606	SEAL,O RING	1		
18	3	4952759	PLUG,THREADED	1	N	serviced as [6-A]
19	2	4965482	CORE,COOLER	1		

K E Y	L E V E L	PART NO.	DESCRIPTION	Q T Y	S / C	REMARK
20	2	4965483	SCREW,TWELVE POINT CAP	4		
7-A	2	4965896	HEAD,OIL FILTER COOLER	1		INCL.21~22
21	3	3681508	INSERT,FILTER HEAD	1	N	serviced as [7-A]
22	3	4965895	HEAD,OIL FILTER COOLER	1		
23	2	4966084	SEAL,O RING	2		
S-1	0	4955592	KIT,LUB OIL COOLER HOUSING GASKET	1		gasket,protective cover



FIG NO. 07.06

LUBE OIL PUMP



K E Y	L E V E L	PART NO.	DESCRIPTION	Q T Y	S / C	REMARK
1-A	1	4024814	KIT,LUBE PUMP	1		INCL.1,2-A (4024814NX)
1	2	4026691	PUMP,LUBRICATING OIL	1		
2-A	2	3800751	KIT,SHIM	1		INCL.2
2	3	3681287	SHIM	2		0.36mm(0.014 inch)
		3681288	SHIM,BLACK	2		0.45mm(0.018 inch)
		3681289	SHIM,PURPLE	2		0.55mm(0.022 inch)
		3681290	SHIM,RED	2		0.65mm(0.026 inch)
		3681291	SHIM,BLUE	2		0.75mm(0.030 inch)
		3681292	SHIM,GREEN	2		0.85mm(0.033 inch)
3	1	3102651	SCREW,HEX FLANGE HEAD CAP	4		M4X1.50X60

# **08**

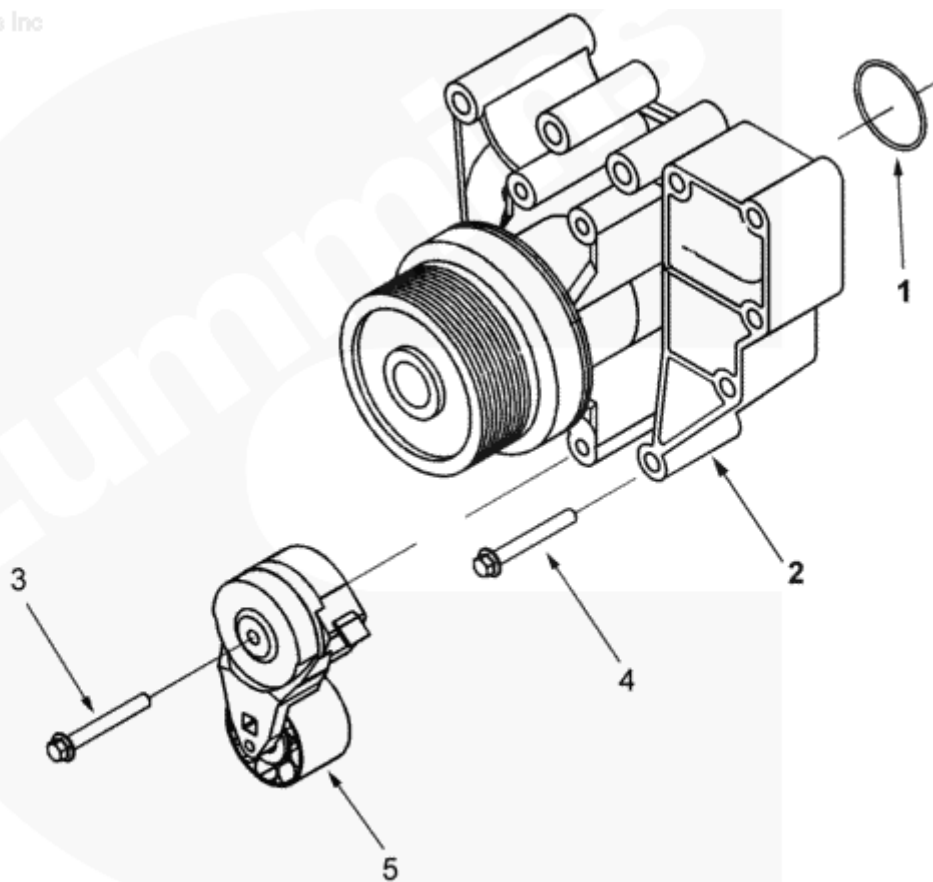
# **COOLING SYSTEM**

- 08.01 WATER PUMP**
- 08.03 FAN DRIVE**
- 08.07 THERMOSTAT HOUSING**
- 08.07-1 WATER INLET CONNECTION**
- 08.07-2 THERMOSTAT**
- 08.08 CORROSION RESISTOR**
- 08.13-1 RADIATOR PLUMBING**

FIG NO. 08.01

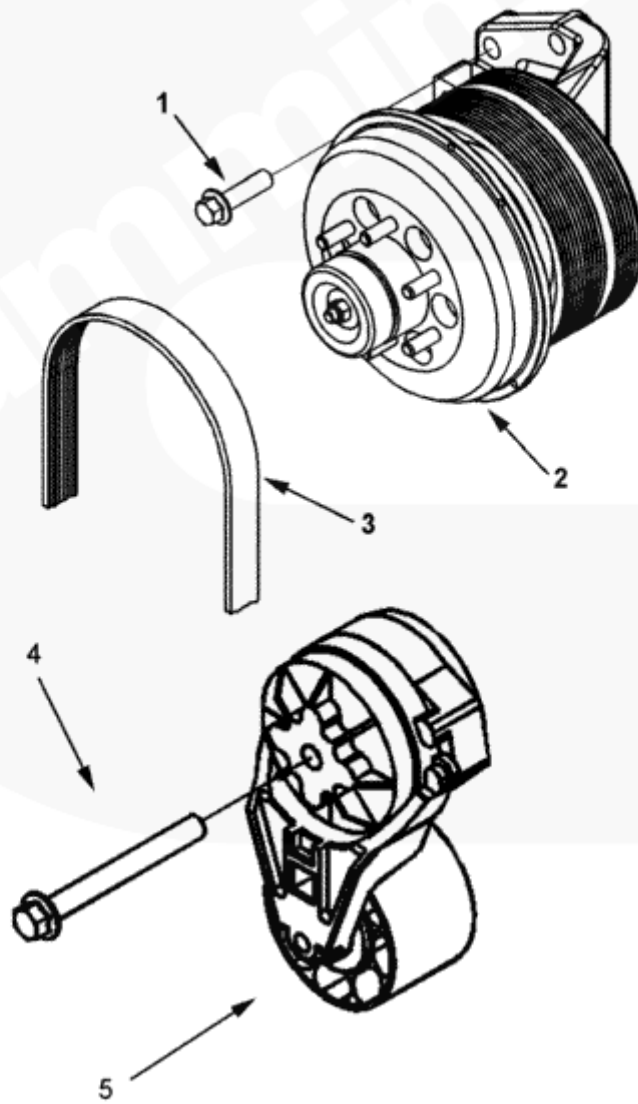
# WATER PUMP

©Cummins Inc



K E Y	L E V E L	PART NO.	DESCRIPTION	Q T Y	S / C	REMARK
1	1	3678724	SEAL,O RING	1		water pump to block
2	1	4923759	PUMP,WATER	1	N	serviced as [S-1]
3	1	3896408	SCREW,HEX FLANGE HEAD CAP	5		M10X1.50X80
S-1	0	4089908	PUMP,WATER	1		4089908NX
S-2	0	4090022	REPAIR KIT,WATER PUMP	1		seals,retaining ring,water pump cover

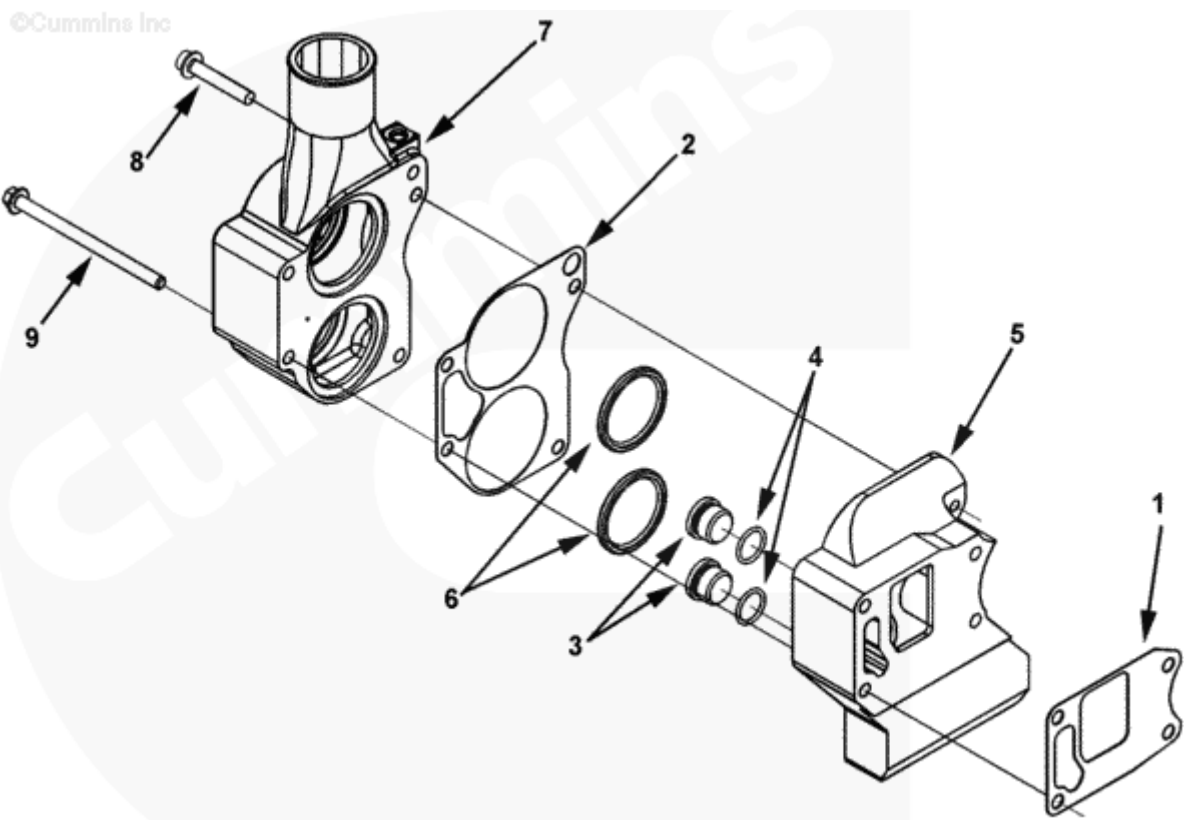
©Cummins Inc



KEY	LEVEL	PART NO.	DESCRIPTION	QTY	S/C	REMARK
1	1	3093940	SCREW,HEX FLANGE HEAD CAP	4		
2	1	3680264	HUB,FAN	1		
3	1	3681811	BELT,V RIBBED	1		
4	1	3093936	SCREW,HEX FLANGE HEAD CAP	1		
5	1	4059202	TENSIONER,BELT	1		

FIG NO. 08.07

# THERMOSTAT HOUSING



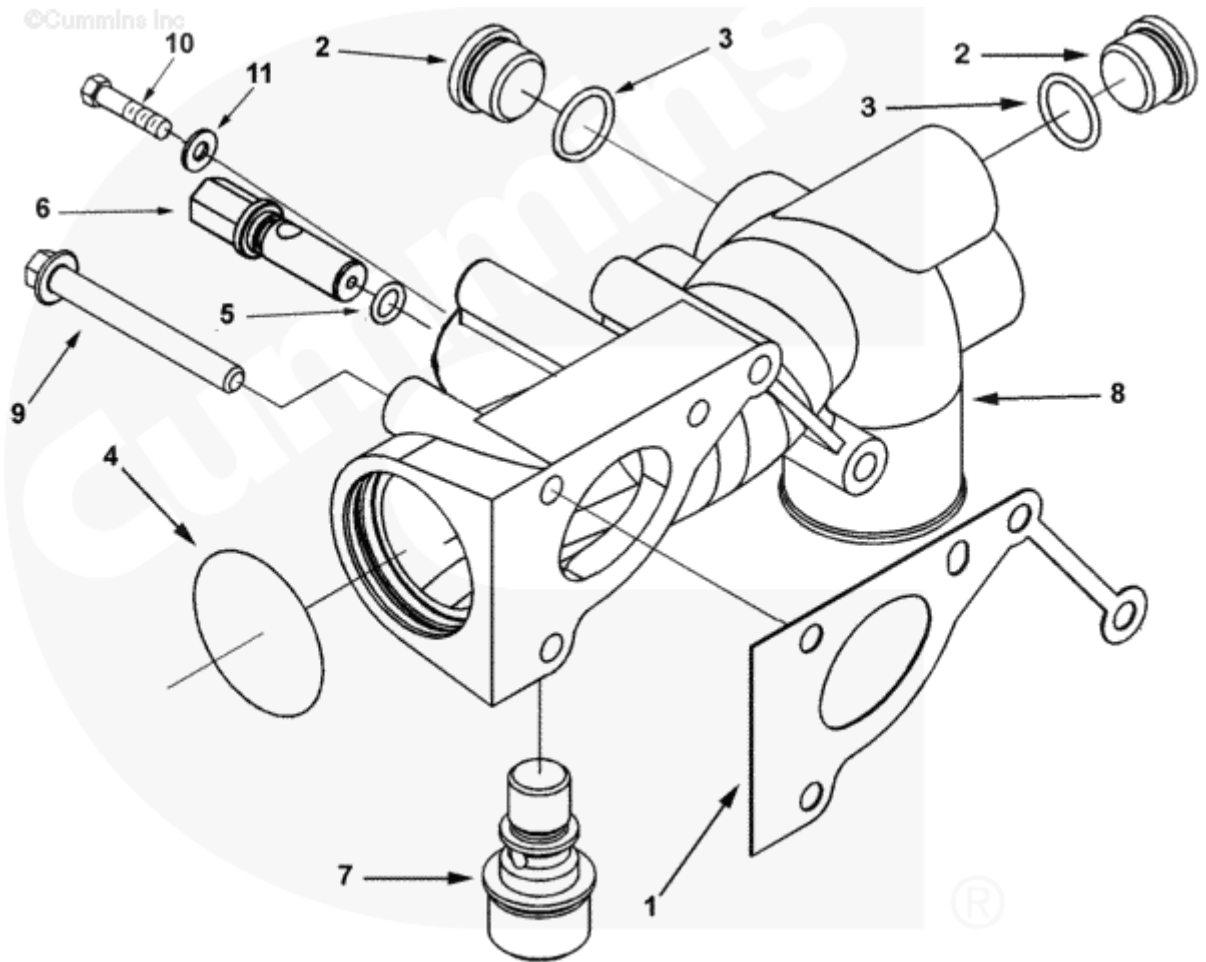


## THERMOSTAT HOUSING

K E Y	L E V E L	PART NO.	DESCRIPTION	Q T Y	S / C	REMARK
1	1	3684336	GASKET,THERMOSTAT HOUSING	1		
2	1	3680602	GASKET,THERMOSTAT HOUSING COVER	1		
1-A	1	3680773	HOUSING,THERMOSTAT	1		INCL.2~A,5
2-A	2	3678611	PLUG,THREADED	2		INCL.3~4
3	3	3678605	PLUG,THREADED	2	N	serviced as [2-A]
4	3	3678606	SEAL,O RING	2		
5	2	3680599	HOUSING,THERMOSTAT	1		
3-A	1	3681787	COVER,THERMOSTAT HOUSING	1		INCL.6~7
6	2	3084879	SEAL,THERMOSTAT	2		
7	2	4059212	COVER,THERMOSTAT HOUSING	1		
8	1	3904446	SCREW,HEX FLANGE HEAD CAP	4		M10X1.50X70
9	1	3904987	SCREW,HEX FLANGE HEAD CAP	2		M10X1.50X150

FIG NO. 08.07-1

# WATER INLET CONNECTION



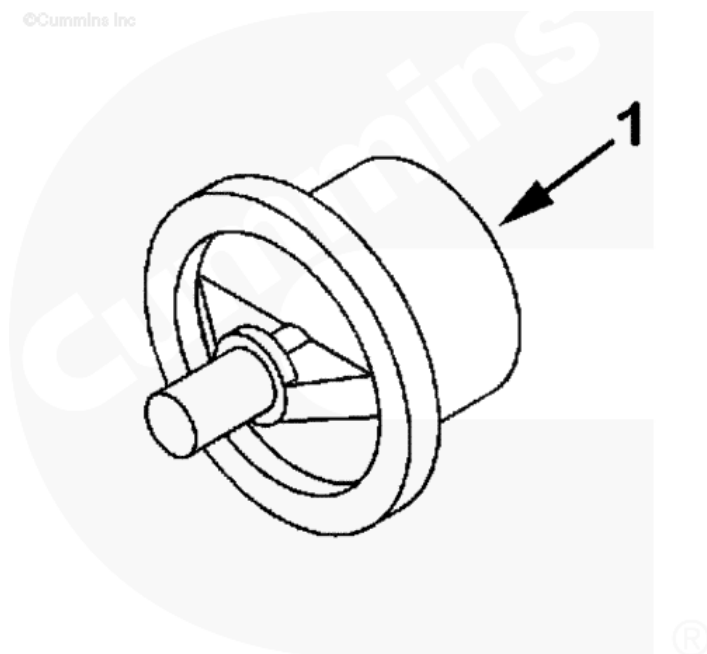
**WATER INLET CONNECTION**

K E Y	L E V E L	PART NO.	DESCRIPTION	Q T Y	S / C	REMARK
1	1	3684338	GASKET,CONNECTION	1		
1-A	1	3681156	CONNECTION,WATER INLET	1		INCL.2-A,4~8
2-A	2	3678611	PLUG,THREADED	3		INCL.2~3
2	3	3678605	PLUG,THREADED	3	N	serviced as [2-A]
3	3	3678606	SEAL,O RING	3		
4	2	4059172	SEAL,O RING	1		water pump inlet connection
5	2	3966716	SEAL,O RING	1		
6	2	3412920	SHAFT,SHUTOFF VALVE	1		
7	2	3680923	ADAPTER,FILTER HEAD	1		
8	2	3681446	CONNECTION,WATER INLET	1	N	serviced as [1-A]
9	1	3093936	SCREW,HEX FLANGE HEAD CAP	4		
10	1	3900626	SCREW,HEX FLANGE HEAD CAP	1		M6X1.0X12
11	1	3062100	WASHER,PLAIN	1		1/4 INCH

FIG NO. 08.07-2

THERMOSTAT

©Cummins Inc

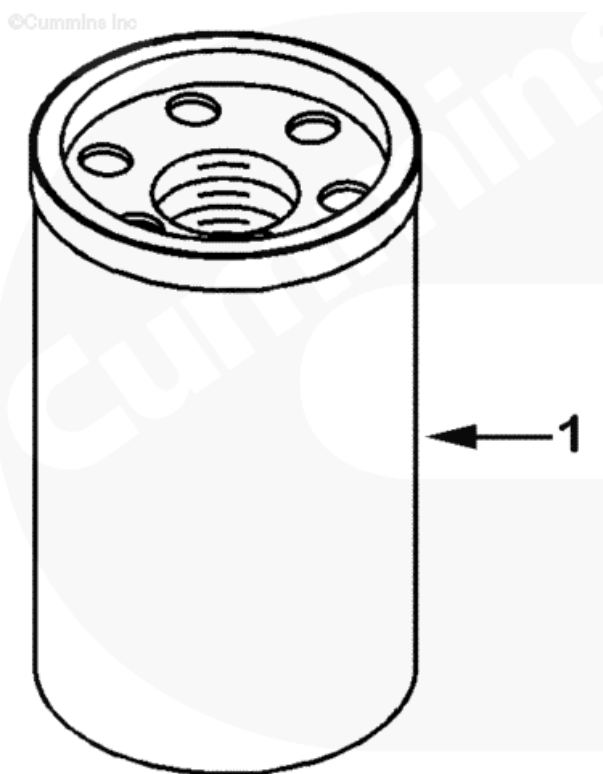


THERMOSTAT

KEY	LEVEL	PART NO.	DESCRIPTION	QTY	S/C	REMARK
1	1	4973373	THERMOSTAT	2		operating range:180 degrees

FIG NO. 08.08

# CORROSION RESISTOR



CORROSION RESISTOR

KEY	LEVEL	PART NO.	DESCRIPTION	QTY	S/C	REMARK
1	1	4907485	RESISTOR,CORROSION	1		

©Cummins Inc





**RADIATOR PLUMBING**

KEY	LEVEL	PART NO.	DESCRIPTION	QTY	S/C	REMARK
1-A	1	3681798	COUPLING,PLAIN HOSE	1		INCL.1~2
1	2	3678603	SEAL,O RING	1		
2	2	3681790	COUPLING,PLAIN HOSE	1	N	serviced as [1-A]

# 10

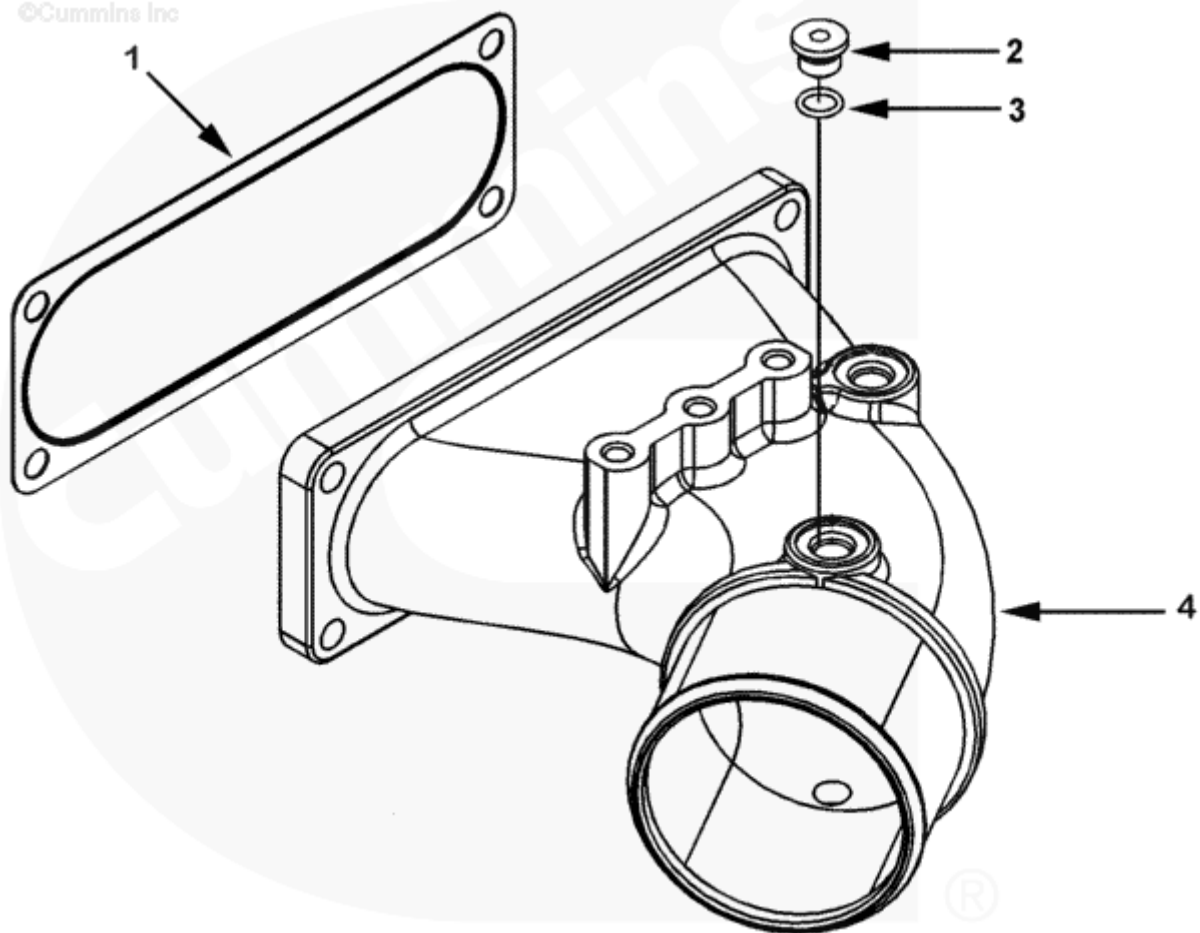
# INTAKE SYSTEM

- 10.01-2 AIR INTAKE CONNECTION
- 10.01-3 INTAKE CONNECTION MOUNTING
- 10.01-4 AIR TRANSFER CONNECTION
- 10.02-1 COOLANT HEATER STARTING AID
- 10.06 TURBOCHARGER
- 10.06-1 TURBOCHARGER ARRANGEMENT
- 10.06-2 TURBOCHARGER PLUMBING

FIG NO. 10.01-2

# AIR INTAKE CONNECTION

©Cummins Inc



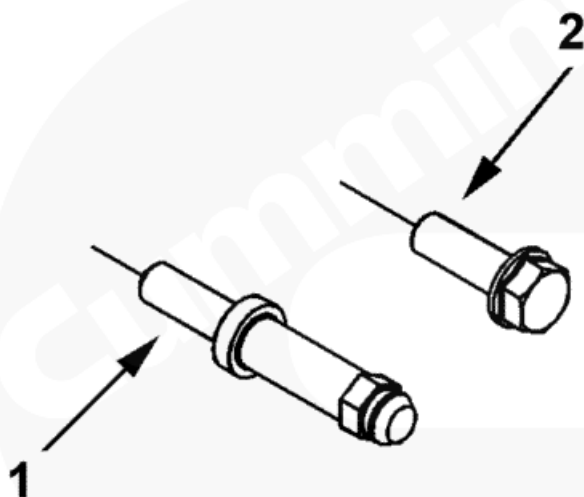
**AIR INTAKE CONNECTION**

KEY	LEVEL	PART NO.	DESCRIPTION	QTY	S/C	REMARK
1	1	3102173	GASKET,CONNECTION	1		
1-A	1	4026519	CONNECTION,AIR INTAKE	1		INCL.2-A,4
2-A	2	3678921	PLUG,THREADED	2		INCL.2~3
2	3	3678922	PLUG,THREADED	2	N	serviced as [2-A]
3	3	3678912	SEAL,O RING	2		
4	2	3681391	CONNECTION,AIR INTAKE	1	N	serviced as [1-A]

FIG NO. 10.01-3

# INTAKE CONNECTION MOUNTING

©Cummins Inc

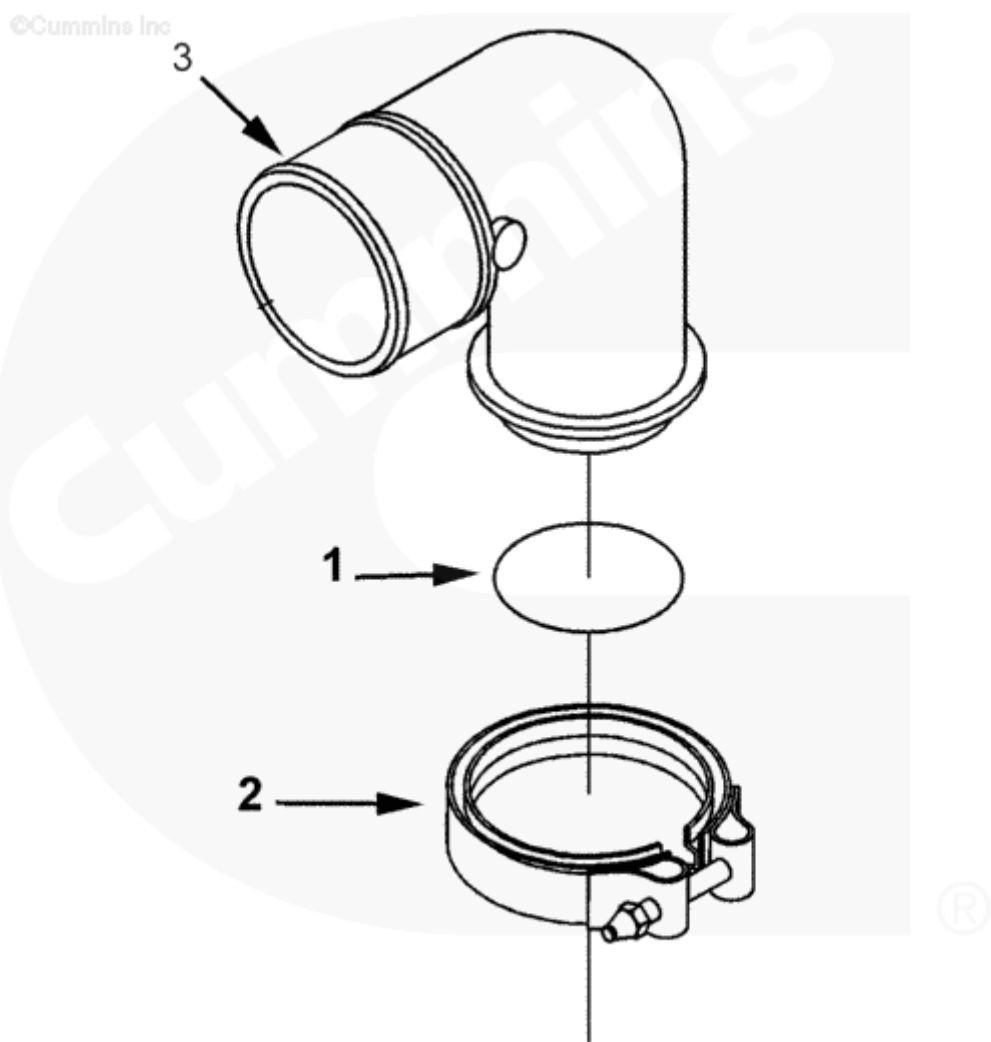


**INTAKE CONNECTION MOUNTING**

KEY	LEVEL	PART NO.	DESCRIPTION	QTY	S/C	REMARK
1	1	3681498	STUD,CLINCH	1		
2	1	3903112	SCREW,HEX FLANGE HEAD CAP	3		M10X1.50X30

FIG NO. 10.01-4

# AIR TRANSFER CONNECTION



**AIR TRANSFER CONNECTION**

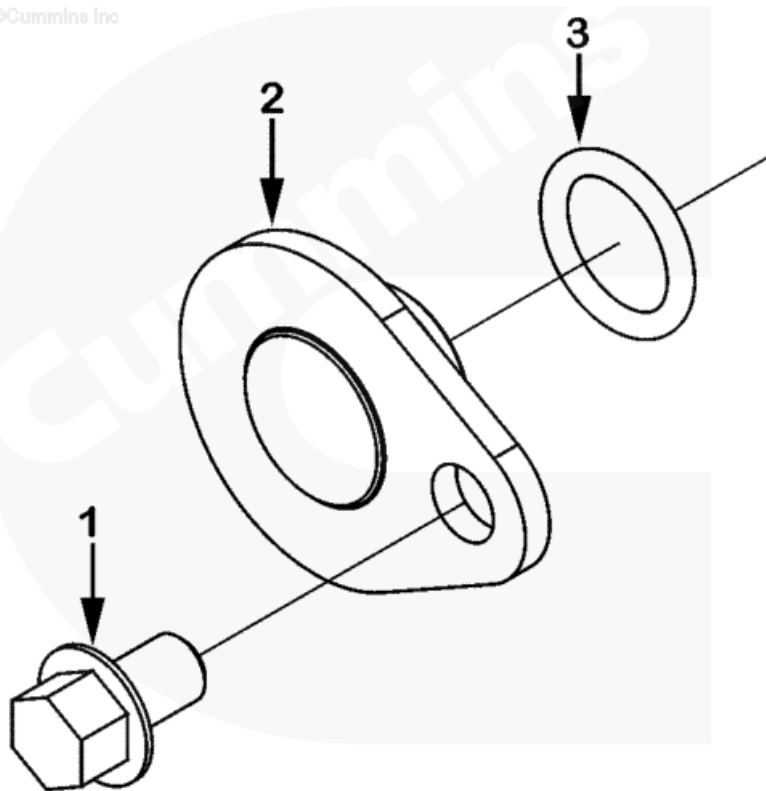
KEY	LEVEL	PART NO.	DESCRIPTION	QTY	S/C	REMARK
1	1	3682177	SEAL,O RING	1		
2	1	3067979	CLAMP,V BAND	2		
3	1	3682674	CONNECTION,AIR TRANSFER	1		turbo compressor outlet



FIG NO. 10.02-1

# COOLANT HEATER STARTING AID

©Cummins Inc



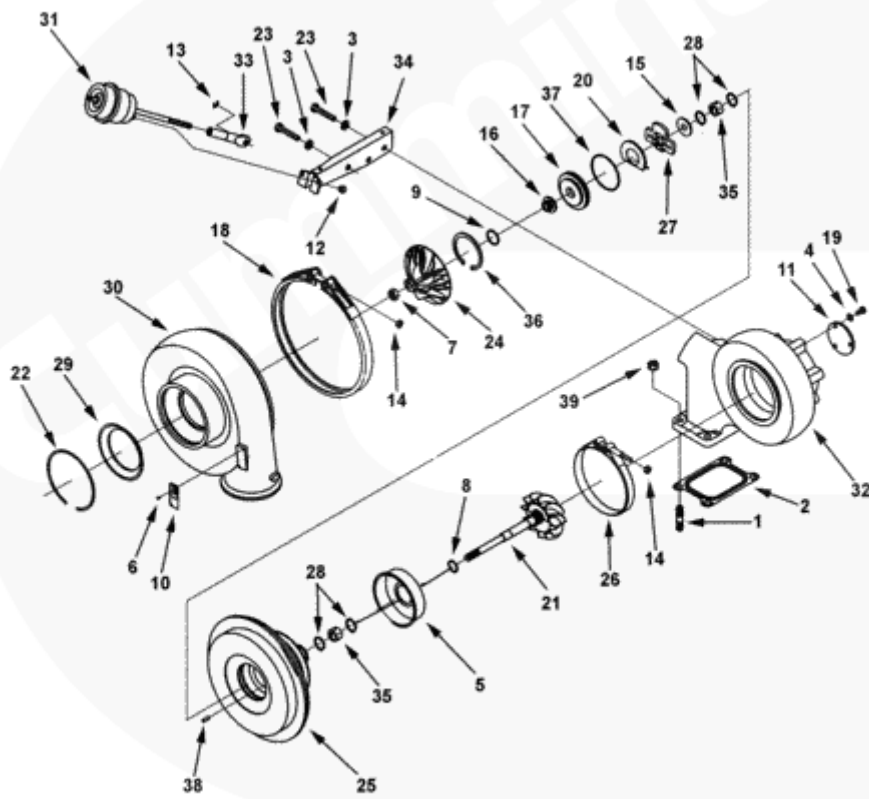
**COOLANT HEATER STARTING AID**

KEY	LEVEL	PART NO.	DESCRIPTION	QTY	S/C	REMARK
1	1	3093957	SCREW,HEX FLANGE HEAD CAP	1		
1-A	1	2865083	PLUG,FLANGED O RING	1		INCL.2~3
2	2	2865080	PLUG,FLANGED O RING	1	N	serviced as [1-A]
3	2	4965731	SEAL,O RING	1		

FIG NO. 10.06

# TURBOCHARGER

©Cummins Inc



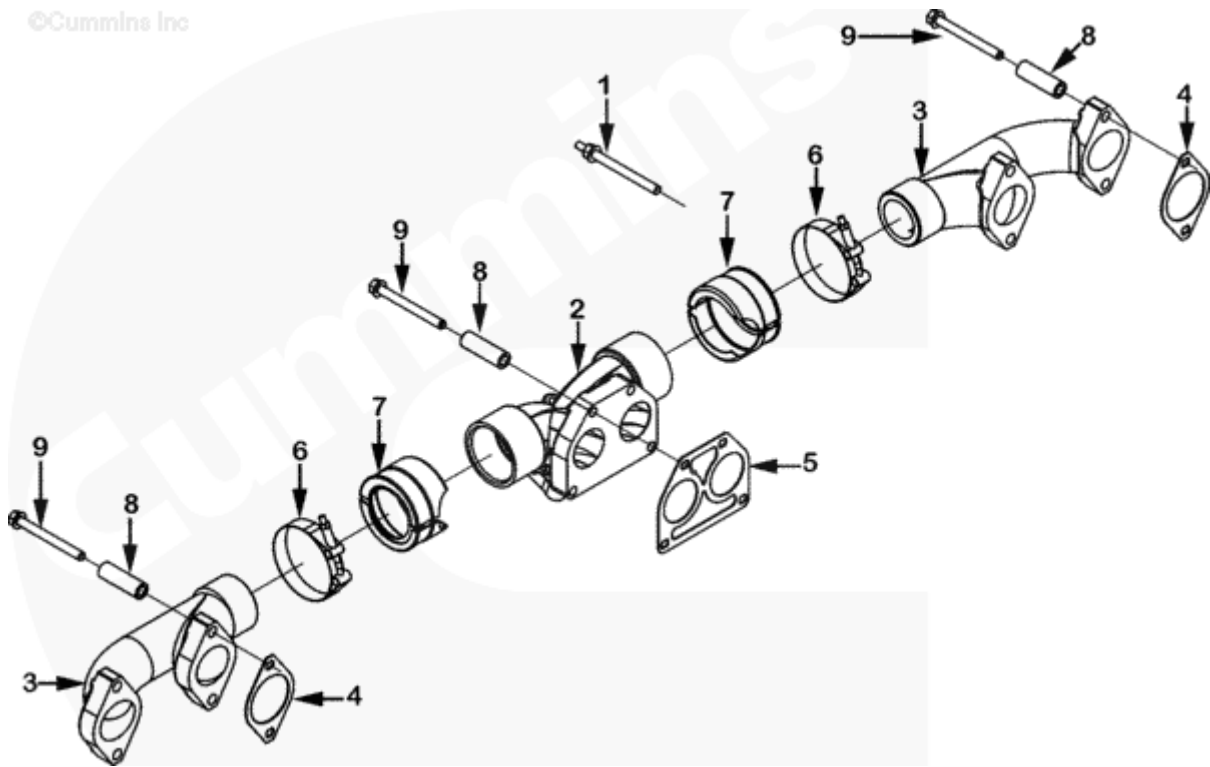
K E Y	L E V E L	PART NO.	DESCRIPTION	Q T Y	S / C	REMARK
1	1	4298242	STUD	4		
2	1	4026884	GASKET,TURBOCHARGER	1		
1-A	1	4090042	KIT,TURBOCHARGER	1		INCL.3~38
3	2	3504967	WASHER,PLAIN	3		M8
4	2	3518004	WASHER,LOCK	3	N	M6
5	2	3533038	SHIELD,TURBOCHARGER HEAT	1		
6	2	3519163	SCREW,DRIVE	2		
7	2	3760250	NUT,LOCK	1		M8x1.25
8	2	3521441	SEAL,SPLIT RING	2		
9	2	3758848	SEAL,SPLIT RING	1		
10	2	3527619	DATAPLATE	1	N	
11	2	3527651	PLATE,COVER	1		
12	2	3528204	NUT,LOCK	2		1/4-28 UNF
13	2	3528221	RING,RETAINING	1		
14	2	3529372	NUT,REGULAR HEXAGON	2		1/4-28 UNF
15	2	3534109	COLLAR,THRUST	1		
16	2	3502231	SLINGER,OIL	1		
17	2	3528096	PLATE,OIL SEAL	1		
18	2	3529852	CLAMP,V BAND	1		
19	2	3521225	SCREW,HEXGON HEAD SET	3		M8X1.25X16
20	2	3528094	BAFFLE,OIL	1		
21	2	3539512	SHAFT & WHEEL	1	N	
22	2	3533707	RING,RETAINING	1		
23	2	3759526	SCREW,HEXAGON HEAD SET	3		M6x1.00x12
24	2	4036317	IMPELLER,TURBO COMPRESSOR	1	N	
25	2	3539099	HOUSING,TURBO BEARING	1	N	
26	2	3535399	CLAMP,V BAND	1		
27	2	3591655	BEARING,TURBO THRUST	1		

K E Y	L E V E L	PART NO.	DESCRIPTION	Q T Y	S / C	REMARK
28	2	3709510	RING,RETAINING	4		
29	2	3592071	BAFFLE,TURBOCHARGER NOISE	1	N	
30	2	3595402	HOUSING,COMPRESSOR	1	N	
31	2	3591890	ACTUATOR,TURBOCHARGER	1	N	serviced as [S-1]
32	2	4046125	HOUSING,TURBINE	1	N	
33	2	3597518	END,ADJUSTING LINK	1	N	
34	2	3539408	BRACKET,ACTUATOR	1	N	
35	2	3534833	BEARING,TURBOCHARGER	2		
36	2	3723863	RING,RETAINING	1		
37	2	3762915	SEAL,O RING	1		
38	2	3522597	PIN,ROLL	2		
39	1	3818824	NUT,HEXAGON FLANGE	4		M10x1.50
S-1	0	3595878	KIT,WASTEGATE ACTUATOR	1		

FIG NO. 10.06-1

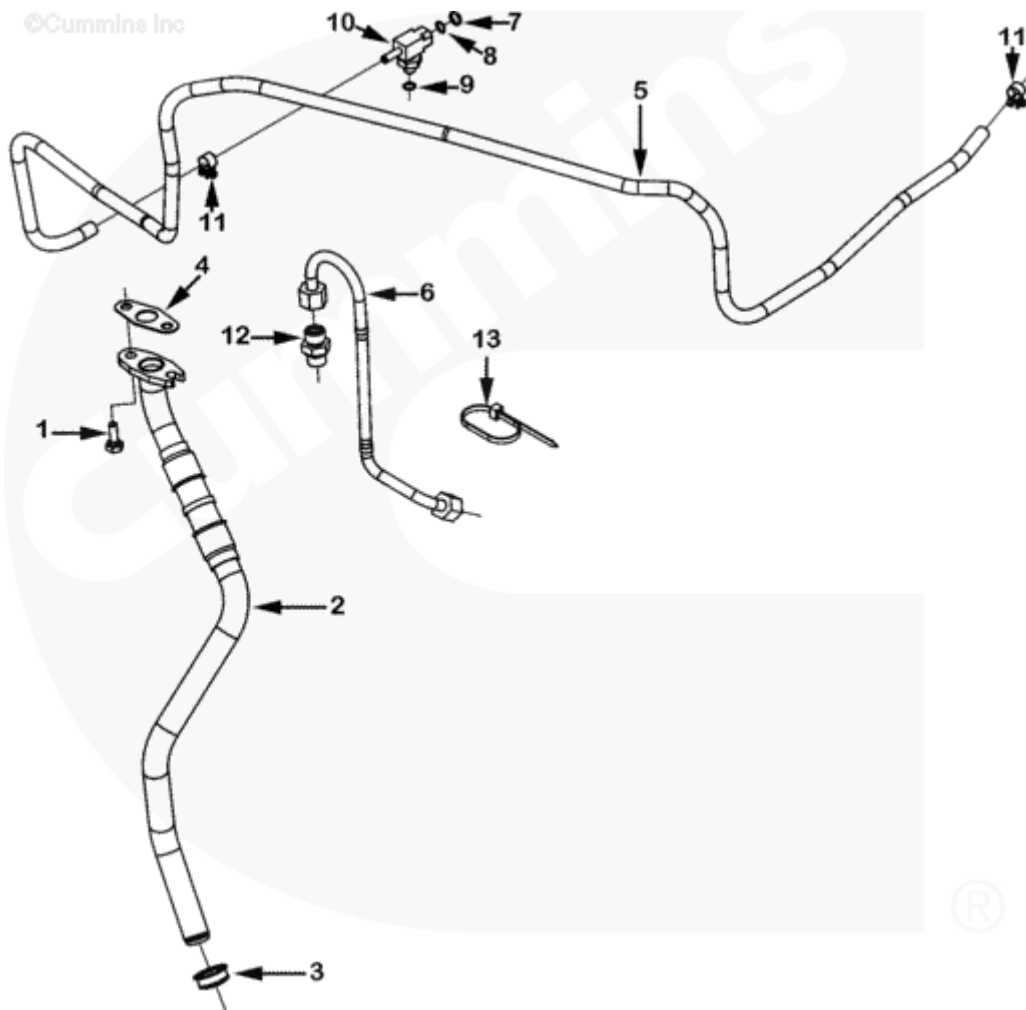
# TURBOCHARGER ARRANGEMENT

©Cummins Inc



**TURBOCHARGER ARRANGEMENT**

KEY	LEVEL	PART NO.	DESCRIPTION	QTY	S/C	REMARK
1	1	3680953	STUD	1		
2	1	3680199	MANIFOLD,EXHAUST	1		
3	1	3680200	MANIFOLD,EXHAUST	2		
4	1	4907447	GASKET,EXHAUST MANIFOLD	4		
5	1	4907448	GASKET,EXHAUST MANIFOLD	1		
6	1	4923998	CLAMP,T BOLT	2	N	
7	1	4952429	SEAL,EXHAUST MANIFOLD	2		
8	1	4965512	SPACER,MOUNTING	12		
9	1	4965698	SCREW,HEX FLANGE HEAD CAP	11		





K E Y	L E V E L	PART NO.	DESCRIPTION	Q T Y	S / C	REMARK
1	1	3025802	SCREW,HEXAGON HEAD CAP	2		M8x1.25x20
2	1	3412353	TUBE,TURBO OIL DRAIN	1		
3	1	3678762	SEAL,GROMMET	1		
4	1	3680324	GASKET,FLANGE	1		
5	1	3680745	HOSE,PLAIN	1		
6	1	3681718	TUBE,TURBO OIL SUPPLY	1		
1-A	1	3681771	VALVE,AIR CONTROL	1		INCL.7~10
7	2	174299	RETAINER,SCREEN	1		
8	2	3008706	SCREEN,FILTER	1		
9	2	3678925	SEAL,O RING	1		
10	2	3681770	VALVE,AIR CONTROL	1		
11	1	5271773	CLAMP,HOSE	1		
2-A	1	4905241	TURBO OIL SUPPLY FITTING	1		INCL.3-A
3-A	2	3090400	UNION,MALE	1		key.12 + o ring seals
12	3	3090419	UNION,MALE	1		
13	1	3062329	CLAMP,WIRE TIE	1		
S-1	0	4906799	WASTEGATE HOSE MTG	1		INCL.11
S-2	0	4965791	WIRE TIE WASTEGATE HOSE	1		INCL.13

**11**

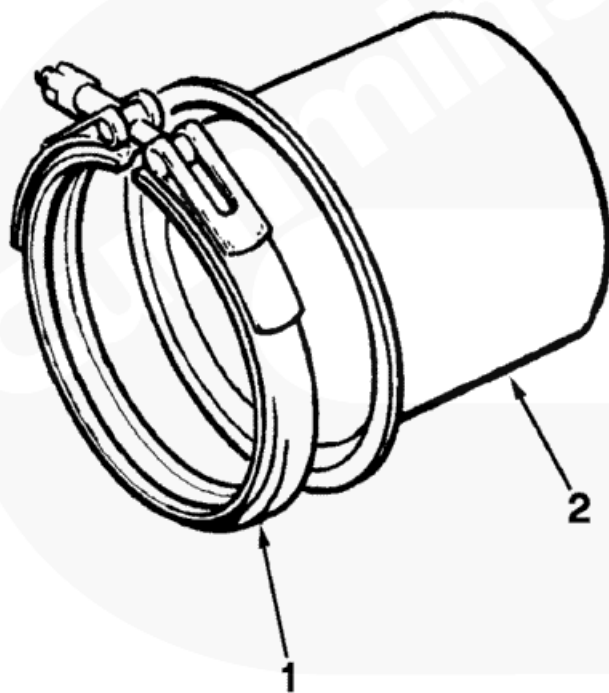
# **EXHAUST SYSTEM**

**11.01-1 EXHAUST OUTLET CONNECTION**

FIG NO. 11.01-1

# EXHAUST OUTLET CONNECTION

©Cummins Inc



**EXHAUST OUTLET CONNECTION**

KEY	LEVEL	PART NO.	DESCRIPTION	QTY	S/C	REMARK
1	1	186917	CLAMP,V BAND	1		
2	1	186915	ADAPTER,EXHAUST OUTLET	1		

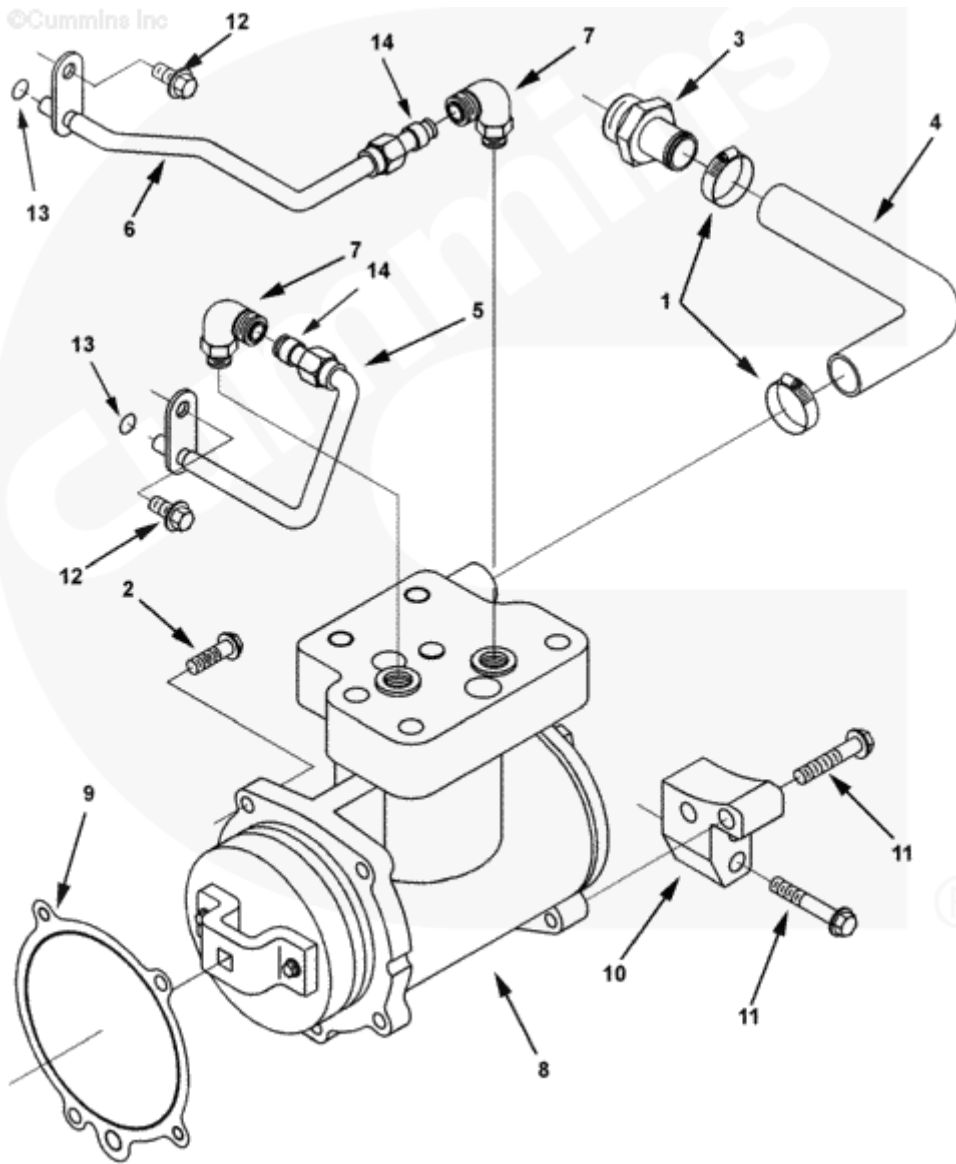
**12**

# **AIR EQUIPMENT**

**12.01 AIR COMPRESSOR**

FIG NO. 12.01

AIR COMPRESSOR



K E Y	L E V E L	PART NO.	DESCRIPTION	Q T Y	S / C	REMARK
1	1	4920417	CLAMP,HOSE	2		3/4-1 7/16 INCH
2	1	4083245	SCREW,CAPTIVE WASHER CAP	4		
3	1	3679303	COUPLING,PLAIN HOSE	1		
4	1	4972995	HOSE,MOLDED	1		
1-A	1	4059312	HOSE,FLEXIBLE	1		INCL.5,13,14
5	2	3102108	HOSE,FLEXIBLE	1	N	serviced as [1-A]
13	2	3102109	SEAL,O RING	1		
14	2	3103015	SEAL,GROMMET	1		
2-A	1	3682978	HOSE,FLEXIBLE	1		INCL.6,13,14
6	2	3682980	HOSE,FLEXIBLE	1	N	serviced as [2-A]
13	2	3102109	SEAL,O RING	1		
14	2	3103015	SEAL,GROMMET	1		
7	1	3687013	UNION,MALE	2		
8	1	3104216	COMPRESSOR,AIR	1		INCL.8-1,8-2
8-1	2	3681612	ADAPTER,BARRING	1		
8-2	2	3681898	SCREW,SOCKET HEAD CAP	2		
9	1	4965690	GASKET,ACC DRIVE SUPPORT	1		
10	1	3680444	BRACE,AIR COMPRESSOR	1		
11	1	3900635	SCREW,HEX FLANGE HEAD CAP	4		M10X1.50X60
12	1	3903990	SCREW,HEX FLANGE HEAD CAP	2		M10X1.50X20
S-1	0	4089206	KIT,HEAD ASSY 1 CYL	1		head assy,head bolts
S-2	0	4089222	KIT,REAR SEAL&ADAPTER	1		pump adapter,o-ring,flat-head screws
S-3	0	4089238	KIT,GASKET&SEALS 1CYL	1		cover gasket,intake valve,head bolts,cover screws,sump lug,rr flange

# 13

# ELECTRICAL EQUIPMENT

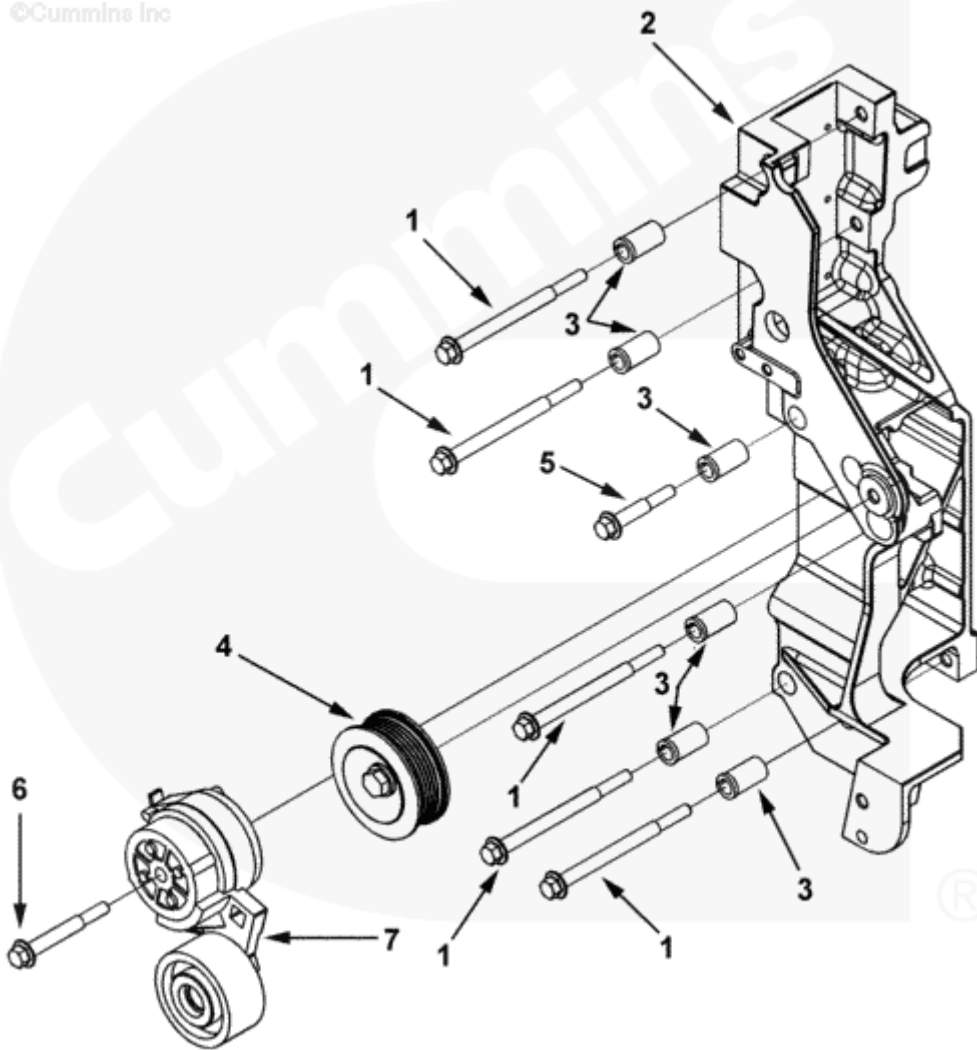
13.02-3 ALTERNATOR MOUNTING

13.05 STARTING MOTOR

13.05-1 STARTING MOTOR MOUNTING



©Cummins Inc

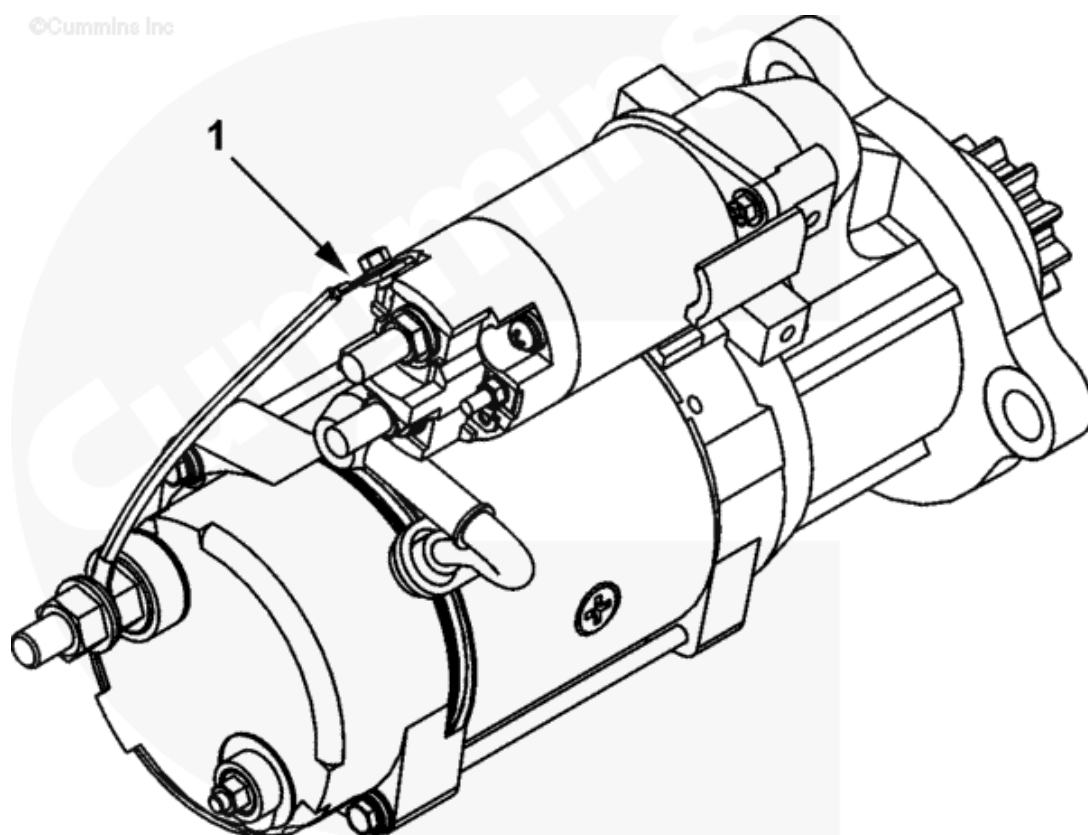


ALTERNATOR MOUNTING

K E Y	L E V E L	PART NO.	DESCRIPTION	Q T Y	S / C	REMARK
1	1	3082439	SCREW,HEX FLANGE HEAD CAP	5		
1-A	1	3681920	SUPPORT,ACCESSORY	1		INCL.2~3
2	2	3681536	SUPPORT,ACCESSORY	1		
3	2	3906755	SPACER,MOUNTING	6		
4	1	3682229	IDLER PULLEY	1		
5	1	3102651	SCREW,HEX FLANGE HEAD CAP	1		
6	1	3896408	SCREW,HEX FLANGE HEAD CAP	1		M10X1.50X80
7	1	4059201	TENSIONER,BELT	1		

FIG NO. 13.05

STARTING MOTOR



STARTING MOTOR

KEY	LEVEL	PART NO.	DESCRIPTION	QTY	S/C	REMARK
1	1	2871257	MOTOR,STARTING	1		
S-1	0	5269423	KIT,INT MAG SWITCH	1		

©Cummins Inc



STARTING MOTOR MOUNTING

KEY	LEVEL	PART NO.	DESCRIPTION	QTY	S/C	REMARK
1	1	3103423	SCREW,TWELVE POINT CAP	3		

# **16**

# **MOUNTING ADAPTATIONS**

**16.01 FLYWHEEL HOUSING**

**16.02 FLYWHEEL**

**16.02-1 FLYWHEEL MOUNTING**

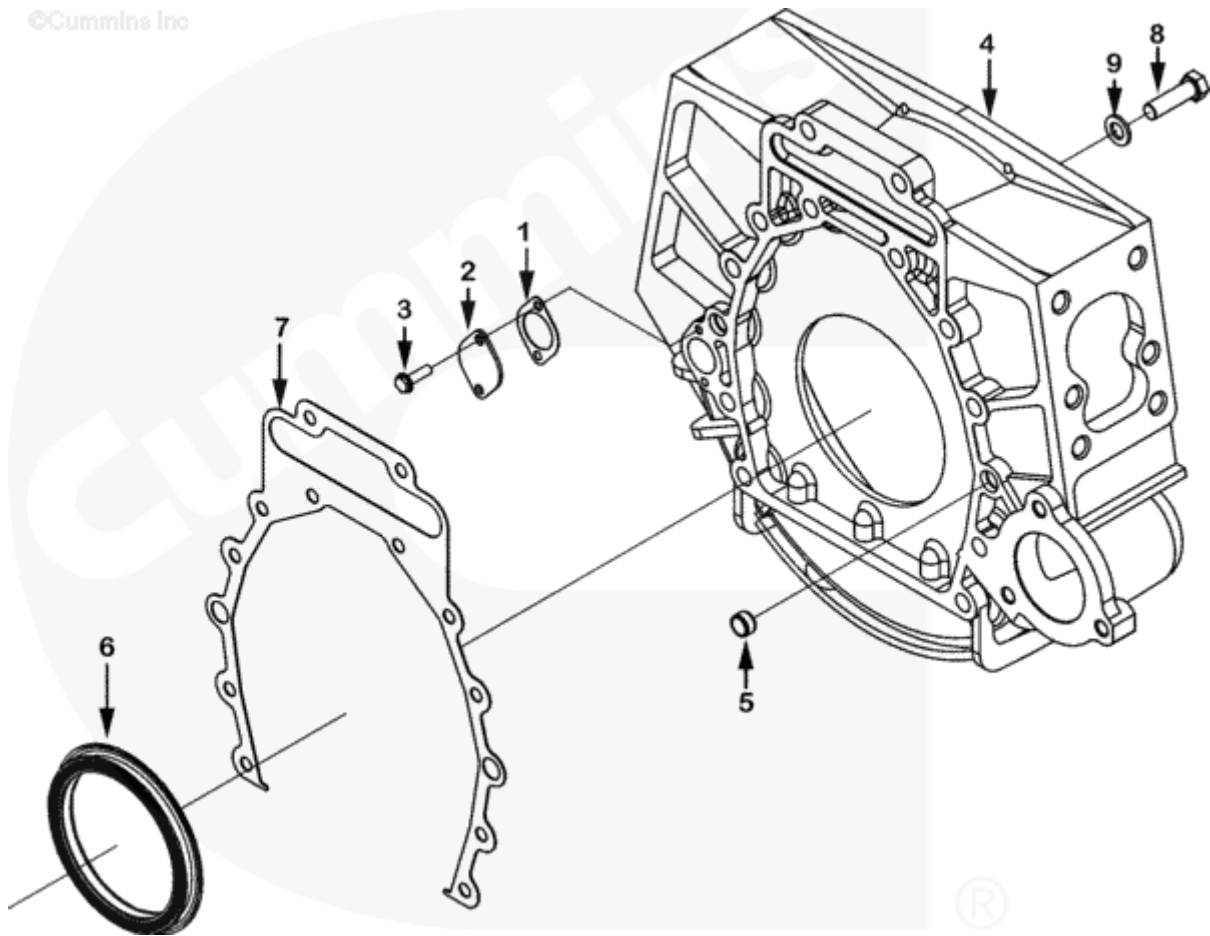
**16.04-1 ACCESSORY SUPPORT(DECORATIVE**

**16.04-2 ACCESSORY SUPPORT(GEAR HOUSING)**

FIG NO. 16.01

# FLYWHEEL HOUSING

©Cummins Inc



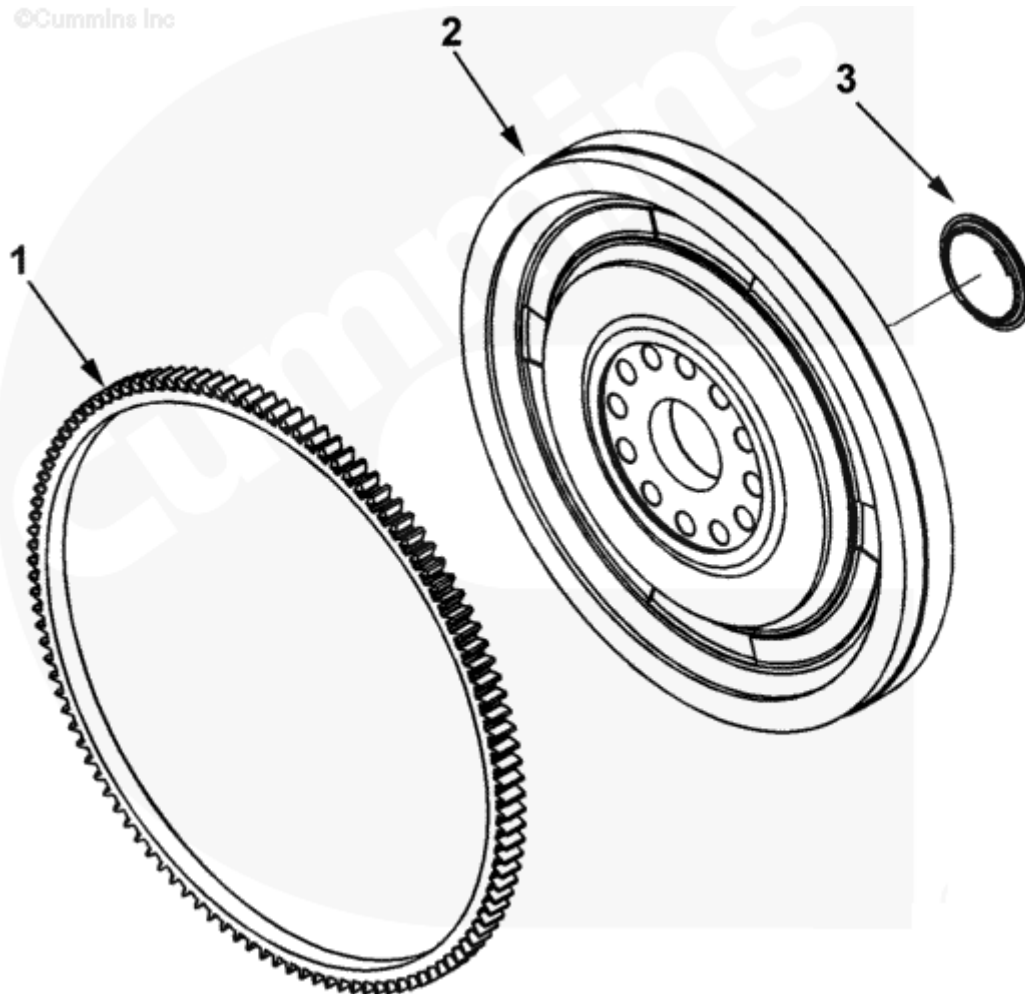


K E Y	L E V E L	PART NO.	DESCRIPTION	Q T Y	S / C	REMARK
1	1	3026134	GASKET,COVER PLATE	1		
2	1	3026135	COVER,ACCESS HOLE	1		
3	1	3052198	SCREW,SELF TAPPING METAL	2		M8X1.25X30
4	1	3103584	HOUSING,FLYWHEEL	1		
5	1	3678871	DOWEL,RING	2		
6	1	4962603	SEAL,OIL	1	N	purchase [S-1]
7	1	4965688	GASKET,FLYWHEEL HOUSING	1		
8	1	3022148	SCREW,HEXAGON HEAD CAP	14		M16x2.00x55
9	1	127316	WASHER,PLAIN	14		5/8 INCH
S-1	0	4965569	KIT,SEAL	1		oil seal,spacer

FIG NO. 16.02

# FLYWHEEL

©Cummins Inc



FLYWHEEL

KEY	LEVEL	PART NO.	DESCRIPTION	QTY	S/C	REMARK
1-A	1	3680922	FLYWHEEL	1		
1	2	3680913	GEAR,FLYWHEEL RING	1		
2	2	3680921	FLYWHEEL	1	N	serviced as [1-A]
3	1	4026528	SPACER,BEARING	1		

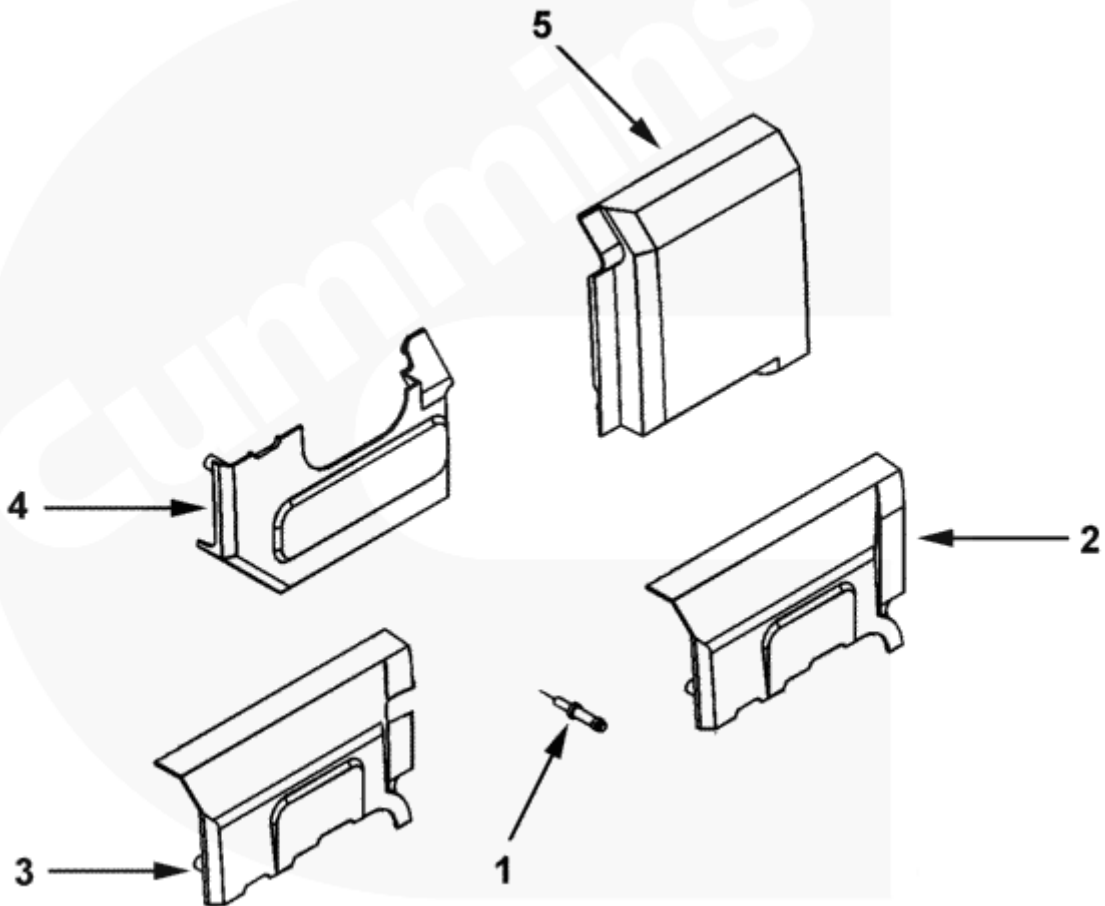
©Cummins Inc



FLYWHEEL MOUNTING

KEY	LEVEL	PART NO.	DESCRIPTION	QTY	S/C	REMARK
1	1	3678740	SCREW,TWELVE POINT CAP	12		

©Cummins Inc



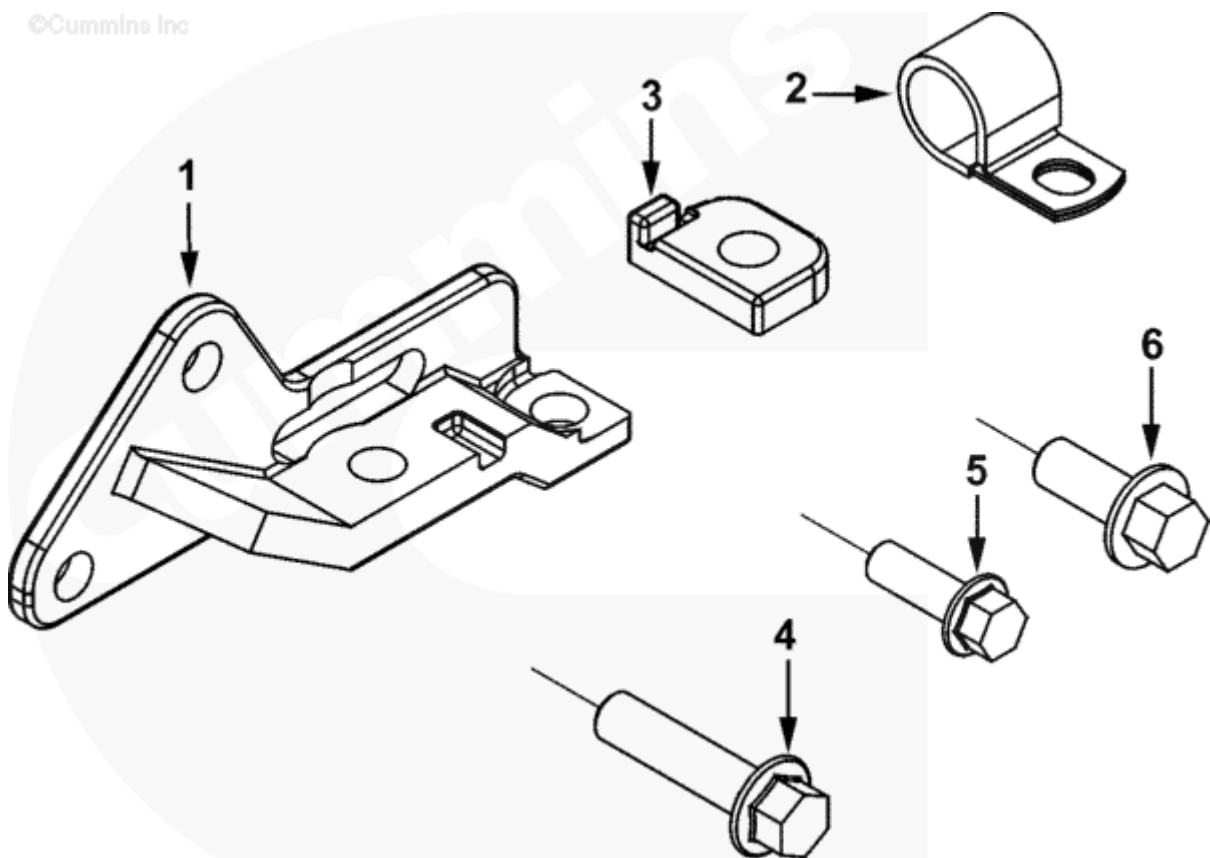
**ACCESSORY SUPPORT(DECORATIVE COVER)**

KEY	LEVEL	PART NO.	DESCRIPTION	QTY	S/C	REMARK
1	1	3681498	STUD,CLINCH	5		
2	1	4026430	COVER,DECORATIVE	1	N	
3	1	4059245	COVER,FUEL CONTROL	1		
4	1	4026431	COVER,DECORATIVE	1		
5	1	4026784	COVER,DECORATIVE	1		

FIG NO. 16.04-2

### ACCESSORY SUPPORT(GEAR HOUSING)

©Cummins Inc





## ACCESSORY SUPPORT(GEAR HOUSING)

K E Y	L E V E L	PART NO.	DESCRIPTION	Q T Y	S / C	REMARK
1	1	3103600	SUPPORT,ACCESSORY	1		
2	1	180372	CLIP	1		
3	1	3103601	SPACER,MOUNTING	1		
4	1	3902116	SCREW,HEX FLAGNE HEAD CAP	1		M12X1.75X50
5	1	3903112	SCREW,HEX FLAGNE HEAD CAP	2		M10X1.50X30
6	1	3910495	SCREW,HEX FLAGNE HEAD CAP	1		M12X1.75X30

**17**

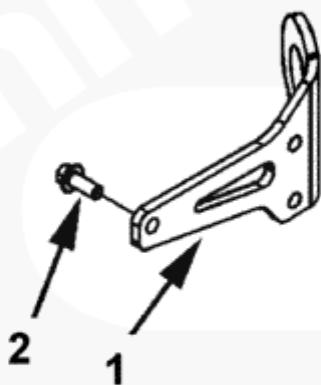
**MISCELLANEOUS**

**17.06 LIFTING BRACKET**

FIG NO. 17.06

# LIFTING BRACKET

©Cummins Inc



LIFTING BRACKET

KEY	LEVEL	PART NO.	DESCRIPTION	QTY	S/C	REMARK
1	1	3682031	BRACKET,LIFTING	3		
2	1	3910495	SCREW,HEX FLAGNE HEAD CAP	8		M12X1.75X30

**21**

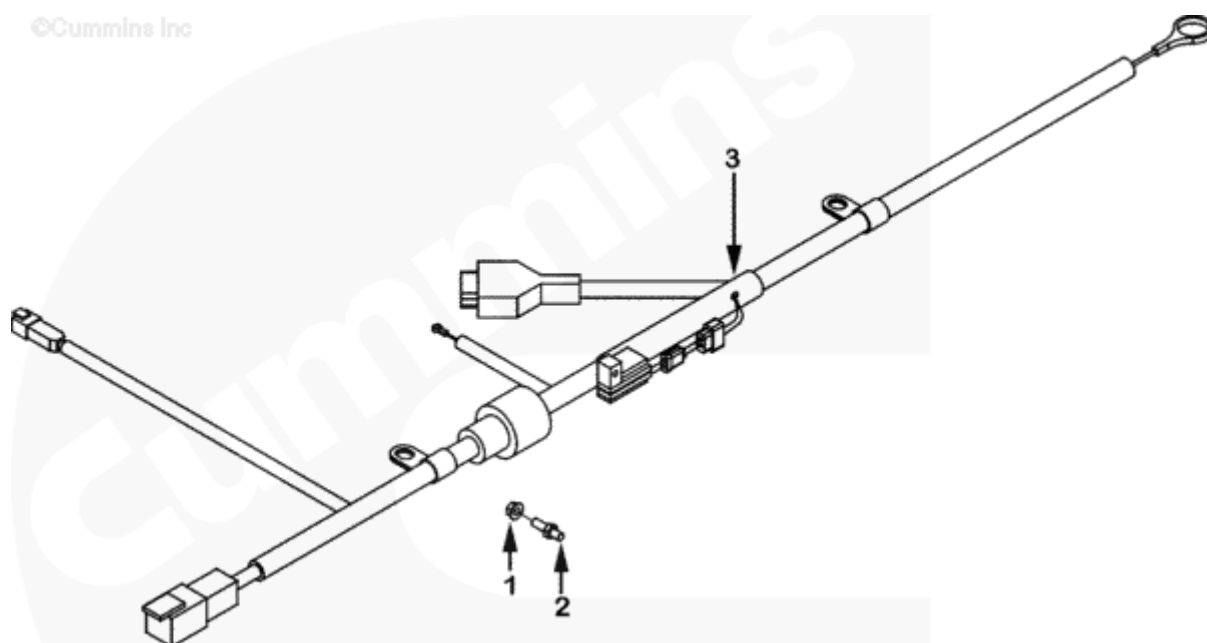
# **EXTENSION HARNESS**

21.01-1 EXTENSION HARNESS

FIG NO. 21.01-1

# EXTENSION HARNESS

©Cummins Inc



**EXTENSION HARNESS**

KEY	LEVEL	PART NO.	DESCRIPTION	QTY	S/C	REMARK
1	1	3902662	NUT,HEXAGON FLANGE	2		M10X1.50
2	1	3681386	STUD	2		
3	1	4973486	HARNESS,WIRING	1		