

PARTS CATALOG

CUMMINS ENGINE

- ISB5.9 -

TATADAEWOO

Oct. 2014

INTRODUCTION

We would like to take an opportunity to thank you for choosing a TATADAEWOO product and assure you of our continuing interest in satisfactory performance of your vehicle.

This catalog contains parts list for the inner parts of Cummins engine ISB5.9.

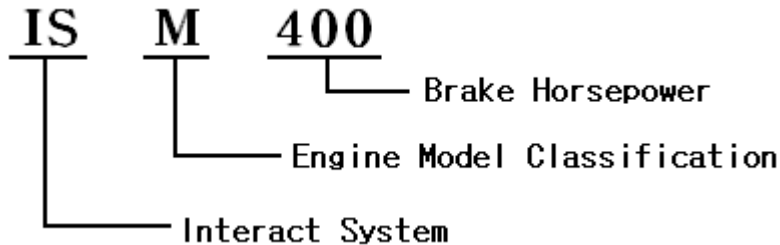
When you need this parts, look up their part numbers in this catalog and give another information, the quantity of each part and so on, to your nearest TATADAEWOO service center or an authorized DAEWOO dealer. Well then, you can buy TATADAEWOO genuine parts promptly to your full satisfaction.

If you want to buy chassis and power train parts, refer to the CHASSIS or POWER TRAIN PARTS CATALOG.

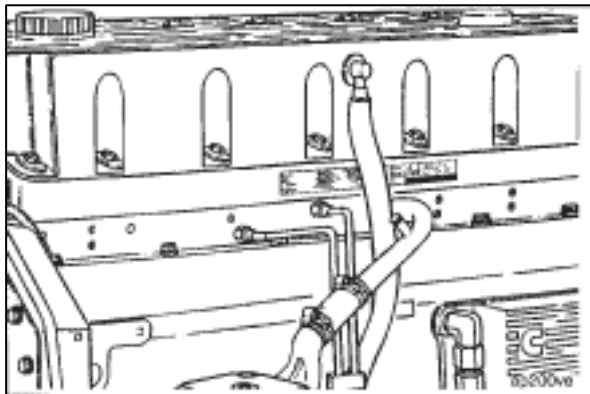
Also, the parts in this book are subject to change without prior notice for improvement of designs and performance. We hope this catalog will ensure you prompt and safe service in purchasing DAEWOO genuine parts.

■ Engine Identification

Cummins Engine Nomenclature means;

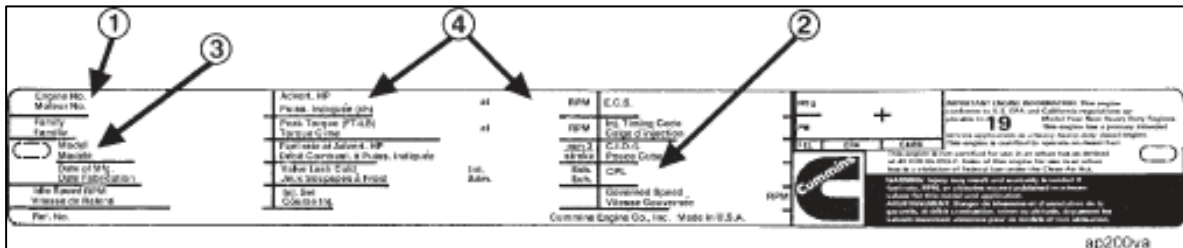


Engine Data Plate(EDP)

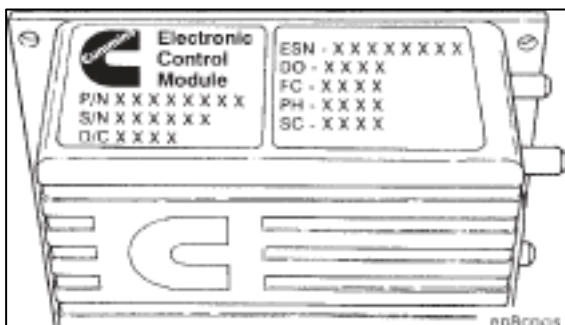


EDP is located on the upper portion of the fuel pump, the side of rocker arm cover. EDP shows you the specified data and identification about engine. Engine data is used to contact with a service center.

1. Engine Serial Number(E.S.N)
2. Connected part list(CPL)
3. Engine Model
4. Rated Horsepower and Rev count



Electronic Control Module(ECM) Data Plate



CELECT™ engine has two data plates on the body of ECM.

The left shows ECM Part Number (P/N), Serial Number(S/N), Data Code(D/C).

The right shows Engine Serial Number(ESN), Fuel Code, Engine Calibration Data.

■ How to Use This Catalog

For rapid finding of part information, this part catalog is provided with group number index, illustration index, part number index, part name index(Korean/English).

The next processes help you to find out a part.

1. There is the actual parts in which **mounting position** is known.
: Check the **illustration index**.→ Find out **fig number**. → Check the part information.
2. There is the actual parts include **main group** is known.
: Check the **group number index**.→ Find out **fig number** → Check the part information.
3. **Part number** is known.
: Check the **part number index**.→ Find out **fig no. & key no.** → Check the part information.
4. **Part name** is known.
: Check the **part name index**.→ Find out **fig no. & key no.** → Check the part information.

■ Catalog Composition

		① Fig No. 01.01		CYLINDER BLOCK ②				
KEY Y	LEVEL	PART NO. ⑤	PART NAME ⑥	Q	S	B	REMARK ⑩	
				T	J	6		
				Y	C	8		
1-A	1	3935938	BLOCK,CYLINDER	1	N	X	INCL.1~9	
1	2	3935937	BLOCK,CYLINDER	1	N	X		
2	2	4983253	BUSHING	1		X		
3	2	3927948	SCREW,HEX FLANGE HEAD CAP	14		X		

③ 01	④ CYLINDER BLOCK	⑪
------	------------------	---

① Fig Number

The first two digits indicates "MAIN GROUP NO." and the other digits indicates "SUB GROUP NO.".

Ex > 01.01-1

01: BLOCK GROUP

01-1: CYLINDER LINER

② Fig Name

This indicates the name of sub group within the main group.

③ Key Number

Key no. corresponds with the reference number on the illustration.

Key no.[A] indicates total parts of illustration, and Key no. [1-A], [2-A], ... indicates KIT parts.

Key no.[S] indicates only service parts.

④ Level

Assembling part is shown with "1" and components parts of assembling part is shown with "2", "3"...

It is smaller when the part is superior.

⑤ Part Number

The part number is assigned to each part. The first alphabet of part number(P,I,M) indicates a source of part, and the parts marked with "N,P,N" on this column are not supplied independently.

⑥ Part Name

This indicates the designation and use, and is written in Korean and English.

⑦ Series

This column indicates the engine model available. When parts apply to engine model, it is marked "X".

420:ISMe420 385:ISMe385

⑧ Quantity (Q'ty)

This column indicates the quantity required per sub group. The quantity is normally shown by numeric or by symbol as below.

AR: Required by quantity

⑨ Servicable parts

The parts marked with "N" is not stocked in line of TDCV, parts refer to assembly or repair kit which contain the parts mentioned.

⑩ Remark

This column is used for detail explanation of specific type or any further information.

Ex> INCL.1~12 : It means that the parts from key no.1 to key no.12 are contained in that part.

⑪ Group No. & Group Name

This column indicates the number & name of group with the figure.

PART NO. INDEX

2839879~

PART NO	FIG	KEY	PART NO	FIG	KEY	PART NO	FIG	KEY	PART NO	FIG	KEY
2839879	10.06	28	3599514	10.06	27	3902114	17.06	6	3918192	06.05	5
2840364	10.06	16	3599649	10.06	25	3902343	01.01	26	3918256	07.05	12
2840781	10.06	40	3678912	01.01	19	3902662	10.06-2	12	3918428	07.05	11
2881804	08.01	S-1	3678912	02.01	19	3903035	06.03-1	3	3918614	04.03	4
3007632	02.01	11	3678921	01.01	5-A	3903035	06.05	2	3918685	10.01-2B	3
3008465	10.01-2B	1	3678921	02.01	5-A	3903112	17.06	2	3918954	07.05	1-A
3008469	01.01	22	3678922	01.01	20	3903297	08.01	2	3919683	01.06	6
3035960	08.03	3	3678922	02.01	20	3903463	15.06	1	3919864	10.01-2D	1
3037236	10.06-2	6	3678923	01.01	4-A	3903475	01.08	2	3920447	16.01	6
3089238	08.09	1-A	3678924	01.01	14	3903475	15.06	2	3920691	01.04	6
3089239	08.09	3	3678925	01.01	15	3903744	10.06-2	11	3920706	01.01	16
3089240	08.09	2	3758848	10.06	39	3903857	01.02-2	1	3920758	01.06	10
3200393	12.01-3	1	3762259	10.06	10	3903924	01.06	3	3921558	07.05	7
3278448	12.04	1	3778585	10.05	1	3903990	08.03-1	1	3922072	01.01	6
3279043	12.01	1	3778585	10.06	2-A	3903990	12.01-3	4	3922484	10.02	2
3280899	06.03-2	2	3778587	10.05	1-A	3904166	01.01	27	3923041	10.01-2B	4
3281504	10.06-2	1	3778587	10.06	1-A	3904181	16.01	3	3923044	08.03	8
3282054	12.01	3	3802820	01.02	S-5	3904230	01.08	3	3923060	10.01-2B	5
3282113	10.06-2	9	3802924	02.01	2-A	3904230	04.03	3	3923303	05.21	3
3284244	10.06-2	7	3802967	02.01	3-A	3904446	13.02-2	1	3923896	01.06	9
3284623	04.03	6	3818823	10.05	2	3904483	01.02	3	3924147	07.01	6
3286908	13.02-2	2	3818824	10.05	3	3904849	01.06	4	3924338	07.05	5
3287269	12.01-3	2	3882589	06.01	2	3905313	09.01	4	3924389	10.06-2	8
3288689	13.02-2	3	3883284	10.01-2B	2	3905860	06.04-1	1-A	3924724	05.01-5	2
3330478	01.01	24	3900068	01.01	5	3906039	01.06	2-A	3924725	05.19	2
3354866	08.07-1B	1	3900227	01.07	2	3906252	12.01	4	3924725	06.05	6
3503100	10.06	2	3900227	08.01	1	3906697	08.07-1B	3	3924962	01.06	11
3504967	10.06	4	3900257	01.01	12	3907769	08.03	5	3925009	07.05	3
3519163	10.06	5	3900589	09.01	1	3907860	07.01-1	2	3925186	13.02-2	4
3519302	10.06	6	3900629	04.03	2	3907998	01.06	2	3925234	16.01	8
3522597	10.06	26	3900629	06.03-1	2	3908612	01.06-1	2	3925883	01.01	23
3523275	10.06	41	3900629	16.01	7	3909355	07.05	6	3926047	01.01	21
3527566	10.06	8	3900630	07.01	1	3910739	08.03	6	3926126	01.02	S-6
3527619	10.06	9	3900630	09.01	2	3911446	06.04-1	1	3927063	02.01	1
3527759	10.06	35	3900630	10.06-2	3	3913352	10.01-2A	1	3927155	01.07	5
3528121	10.06	11	3900631	07.01-1	1	3913638	16.01	4	3927692	03.01	7
3528177	10.06	12	3900631	12.01	2	3913994	01.06	5	3927913	04.03	5
3528221	10.06	14	3900632	06.04	1	3913995	01.06	1-A	3927948	01.01	3
3528933	10.06	15	3900632	07.05	1	3914035	01.01	8	3928759	04.03	1
3532195	10.06	20	3900633	01.06	12	3914035	02.01	12	3928759	06.03-1	5
3532217	10.06	23	3900633	08.03	1	3914284	06.05	3	3928989	01.08	4
3532299	10.06	30	3900677	07.06	1	3914383	07.01	4	3929027	01.02	2
3533163	10.06	31	3900687	01.01	11	3914386	16.01	5	3929028	01.07	1
3534291	10.06	29	3900919	01.04	2	3914389	09.01	5	3929457	07.05	10
3535001	10.06	33	3900955	07.02	2	3915489	05.19	3	3929792	07.05	8
3535215	10.06	34	3900956	01.01	7	3915772	01.06	7	3930969	06.04	2
3536143	10.06	38	3900958	01.08	1	3916131	01.06	13	3931342	01.06-1	1
3537732	10.06	37	3901249	12.01-3	3	3918109	06.03-2	3	3931868	05.19	6
3592050	10.06	13	3901249	17.06	1	3918109	06.03-3	2	3932290	01.01	25
3593567	10.06	32	3901356	10.05	4	3918109	10.01-2C	1	3932296	01.01	6-A
3595651	10.06	22	3901448	08.07-1B	2	3918188	05.01-5	3	3932520	01.04	8
3595832	10.06	7	3901865	08.07-1C	1	3918190	12.01	7	3934047	01.04	5
3596402	10.06	3	3902023	06.01	1	3918191	06.03-1	4	3934942	07.01	5
3596448	10.06	17	3902114	06.05	1	3918191	06.04-1	4	3935338	11.01-1	1
3596812	10.06	24	3902114	08.03	2	3918191	06.05	4	3935348	01.04	1
3597783	10.06	18	3902114	09.01	3	3918192	05.19	1	3935349	01.04	2-A

PART NO	FIG	KEY	PART NO	FIG	KEY	PART NO	FIG	KEY	PART NO	FIG	KEY
3935363	08.03	9	4093786	07.02	4	5260263	08.01	3			
3935878	03.01-1	1	4093790	07.02	1	5262036	01.02	1			
3935937	01.01	1	4093793	07.02	3	5262961	12.01	5			
3935938	01.01	1-A	4093806	12.01	10	5263196	01.02-2	3			
3936236	06.03-1	6	4093825	06.05	9	5263672	02.01	13			
3936365	07.05	2	4093857	07.05	4	5265968	07.01	2			
3936554	10.06-2	2	4093888	13.05	1	5266898	05.21	1			
3936583	05.19	4	4093948	10.01-2A	3	5267723	06.04-1	3			
3936593	05.19	5	4093964	06.03-2	1	5267980	01.02-2	2			
3936599	07.01	3	4093965	06.03-3	1	5269237	06.03-1	1			
3936612	01.07	3	4093998	06.04	5	5270697	08.07	1			
3936632	10.06-2	4	4094036	12.01	9	5271173	01.02	1-A			
3936641	01.01	13	4094050	01.08	5	5271330	03.01-1	4			
3936641	02.01	18	4094069	01.07	4	5271331	03.01-1	1-A			
3936642	02.01	2	4094100	01.07	1-A	5271332	03.01-1	5			
3936642	08.09	1	4891178	01.04	3	5271485	02.01	8			
3936642	10.01-2A	2	4928699	03.01	4	5271639	08.07	1-A			
3937214	01.01	10	4932375	01.04	S-1	5272335	08.03	7			
3937553	13.02-2	5	4932376	01.04	S-1	5272656	08.07-1C	2			
3938152	10.01-2C	3	4932377	01.04	S-1	5273979	07.05	9			
3938158	10.02	1	4932378	01.04	S-1	5274159	16.01	1-A			
3939258	06.05	7	4932713	09.01	7	5282704	02.01	4-A			
3939570	06.04-1	2	4934074	02.01	S-2	5284131	12.01	6			
3939719	02.01	S-1	4934075	02.01	S-2	5285515	17.06	7			
3939720	02.01	S-1	4934076	02.01	S-2	5285612	07.05	13			
3939721	02.01	S-1	4936080	02.01	7	5288690	10.06-1	5			
3940123	02.01	4	4938933	01.02	S-2	5289386	03.01-1	6			
3940288	17.06	3	4938934	01.02	S-2	5289874	01.06	8			
3940639	06.01	4	4938935	01.02	S-2	5290517	01.08	6			
3940734	02.01	9	4938936	01.02	S-2	5291986	01.04	1-A			
3940735	02.01	5	4938937	01.02	S-4	5291987	01.04	7			
3940817	06.01	5	4938938	01.02	S-4	5291988	01.04	9			
3941253	03.01	2	4938939	01.02	S-4	5291989	06.01	1-A			
3941556	17.07	1	4938940	01.02	S-4	5291990	06.01	6			
3941927	03.01	11	4938942	01.02	S-1	5292180	05.21	2			
3941928	03.01	10	4938943	01.02	S-1	5292544	01.04	3-A			
3942453	06.04	3	4938944	01.02	S-1	5292545	01.04	S-2			
3942565	04.01	1	4938945	01.02	S-1	5292546	01.04	S-3			
3942659	03.01-1	2	4938946	01.02	S-1	5292575	06.04	6			
3943215	17.06	4	4938947	01.02	S-1	5293027	03.01-1	7			
3943449	02.01	14	4938949	01.02	S-3	5305870	08.07	2			
3943450	02.01	17	4938950	01.02	S-3	5314775	01.01	2-A			
3943626	03.01	1	4938951	01.02	S-3	5314776	01.01	3-A			
3943670	08.07-1A	1	4938952	01.02	S-3	5315765	01.01	5			
3944061	17.06	5	4938953	01.02	S-3	554013	07.02	5			
3944593	10.06-1	2	4938954	01.02	S-3	554013	10.06-2	10			
3944655	10.06-1	3	4939587	07.06	2						
3944833	06.01	3	4946176	09.01	8						
3945094	02.01	15	4946178	16.01	1						
3945095	02.01	16	4955521	01.02	2-A						
3945252	10.06-1	4	4981215	08.03	1-A						
3945799	03.01-1	3	4981629	08.03	4						
3959079	01.04	10	4983253	01.01	2						
3959128	03.01	8	4983351	06.05	8						
3964908	03.01	5	4988952	16.01	2						
3967611	12.01	8	4990173	09.01	6						
3968470	13.05-1	1	4990696	10.01-2C	2						
3969562	01.04	4	4990700	05.01-5	1						
3974156	01.01	4	4991571	02.01	6						
3974158	01.01	9	4994197	03.01	9						
3977063	02.01	3	4994197	03.01	8						
3978818	01.02	5	4994197	03.01	9						
3978820	01.02	7	4994198	03.01	6						
3978822	01.02	6	4995602	03.01	1-A						
3978824	01.02	4	4995603	03.01	2-A						
3979211	10.06-1	1	4995604	03.01	4-A						
3990127	03.01	3	4995605	03.01	3-A						
3991771	02.01	10	4995606	03.01	5-A						
3991773	02.01	1-A	5259151	12.01-3	5						
4040147	10.06	19	5259152	12.01-3	6						
4048752	10.06	36	5259154	12.01-3	8						
4070594	01.06	1	5259155	12.01-3	7						
4080678	06.04	4	5259156	12.01-3	9						
4080800	16.01	9	5259159	12.01-3	10						
4093743	10.06-2	5	5259299	12.01-3	11						

PART NAME INDEX

ACTUATOR, TURBOCHARGER~

PART NAME	FIG	KEY	PART NAME	FIG	KEY
ACTUATOR,TURBOCHARGER	10.06	19	COLLAR,THRUST	10.06	23
ADAPTER,FILTER HEAD	06.04	3	COLLET,VALVE	02.01	4
ADAPTER,FILTER HEAD	07.05	6	COMPRESSOR,AIR	12.01	9
ASSEMBLY,ROCKER LEVER	03.01	1-A	CONNECTION,ADAPTER	10.06	35
BALL,ROCKER LEVER	03.01	9	CONNECTION,AIR INTAKE	10.01-2A	3
BALL,ROCKER LEVER	03.01	8	CONNECTION,OIL SUCTION	07.01	5
BALL,ROCKER LEVER	03.01	9	CONNECTION,SPACER	10.02	2
BEAIRNG,MAIN	01.02	5	CONNECTION,TUR OIL DRAIN	10.06-2	5
BEARING,BALL	08.03	6	CONNECTION,WATER INLET	08.07-1B	1
BEARING,CONNECTING ROD	01.04	4	CONNECTION,WATER OUTLET	08.07-1C	2
BEARING,CONNECTING ROD	01.04	S-1	CONNECTOR,BANJO	05.19	5
BEARING,MAIN	01.02	7	CONNECTOR,FEMALE	10.06-2	7
BEARING,MAIN	01.02	S-2	CONNECTOR,MALE	06.01	3
BEARING,MAIN	01.02	S-4	CONNECTOR,MALE	12.01-3	9
BEARING,THRUST	01.02	4	CONNECTOR,QCK DISCONNECT	12.01-3	2
BEARING,THRUST	01.02	6	CONNECTOR,TUBE	12.01-3	11
BEARING,THRUST	01.02	S-1	CORE,COOLER	07.05	7
BEARING,THRUST	01.02	S-3	COUPLING,ELBOW HOSE	10.06	11
BEARING,TUR THRUST	10.06	22	COVER,ACCESS HOLE	15.06	1
BEARING,TURBOCHARGER	10.06	2	COVER,GEAR	01.06	2-A
BELT,V RIBBED	13.02-2	3	COVER,GEAR	01.06	9
BLOCK,CYLINDER	01.01	1-A	COVER,INTAKE MANIFOLD	10.01-2C	2
BLOCK,CYLINDER	01.01	1	COVER,PUSH ROD	04.03	5
BRACE,AIR COMPRESSOR	12.01	5	COVER,REAR	16.01	1-A
BRACE,FUEL PUMP	09.01	4	COVER,REAR	16.01	1
BRACKET,ACTUATOR	10.06	32	COVER,VALVE	03.01-1	3
BRACKET,BELT TENSIONER	13.02-2	2	CRANKSHAFT,ENGINE	01.02	1-A
BRACKET,FILTER	06.04	5	CRANKSHAFT,ENGINE	01.02	1
BRACKET,LIFTING	17.06	3	CROSSHEAD,VALVE	03.01	1
BRACKET,LIFTING	17.06	4	DAMPER,VISCOUS VIBRATION	01.02-2	2
BREATHER,CRANKCASE	01.08	6	DATAPLATE	01.06-1	1
BUSHING	01.01	2	DATAPLATE	10.06	9
BUSHING	01.04	3	DIPSTICK	07.02	1
CAMSHAFT	01.07	1-A	DOWEL,PIN	01.01	12
CAMSHAFT	01.07	4	DOWEL,PIN	01.02	3
CAP,FILLER	03.01-1	1-A	DOWEL,RING	01.01	5
CAP,FILLER	03.01-1	4	DOWEL,RING	01.01	26
CAP,MAIN BEARING	01.01	2-A	ELBOW,MALE ADAPTER	09.01	6
CAP,MAIN BEARING	01.01	4	END,ADJUSTING LINK	10.06	12
CAP,MAIN BEARING	01.01	3-A	FILTER,FUEL	06.04	6
CAP,MAIN BEARING	01.01	9	FITTING,ORIFICE	08.07-1A	1
CARTRIDGE,LUB OIL FILTER	07.05	13	FRONT SEAL,WEAR SLEEVE KIT	01.02	S-5
CLAMP,HOSE	05.19	4	GASKET,ADAPTER	10.06	33
CLAMP,HOSE	10.06	34	GASKET,CONNECTION	10.01-2A	1
CLAMP,HOSE	10.06-2	2	GASKET,CONNECTION	10.02	1
CLAMP,INJECTOR	06.01	4	GASKET,COVER PLATE	06.05	7
CLAMP,SPRING HOSE	01.08	3	GASKET,CYLINDER HEAD	02.01	3
CLAMP,SPRING HOSE	04.03	3	GASKET,EXHAUST MANIFOLD	10.06-1	5
CLAMP,TUBE	07.02	5	GASKET,FILTER	06.04	4
CLAMP,TUBE	10.06-2	10	GASKET,FILTER HEAD	07.05	8
CLAMP,V BAND	10.01-2B	5	GASKET,FLANGE	07.01	4
CLAMP,V BAND	11.01-1	1	GASKET,FUEL PUMP	09.01	5
CLIP	01.08	4	GASKET,GEAR HOUSING	01.06	13
CLIP	12.01-3	1	GASKET,INT MANIFOLD COVER	10.01-2C	3
CLIP	12.01-3	7	GASKET,OIL COOLER CORE	07.05	12
CLIP	12.01-3	8	GASKET,OIL DRAIN	10.06-2	9

GASKET, PUSH ROD COVER~

PART NAME	FIG	KEY	PART NAME	FIG	KEY
GASKET,PUSH ROD COVER	04.03	6	PLUG,EXPANSION	01.01	7
GASKET,REAR COVER	16.01	5	PLUG,EXPANSION	01.01	8
GASKET,TURBOCHARGER	10.05	4	PLUG,EXPANSION	01.01	11
GASKET,VALVE COVER	03.01-1	1	PLUG,EXPANSION	01.01	16
GEAR,ACCESSORY DRIVE	12.01	8	PLUG,EXPANSION	01.08	1
GEAR,CAMSHAFT	01.07	1	PLUG,EXPANSION	02.01	11
GEAR,CRANKSHAFT	01.02	2	PLUG,EXPANSION	02.01	12
GEAR,FUEL PUMP	09.01	7	PLUG,EXPANSION	02.01	13
HARNES,WIRING	05.21	3	PLUG,EXPANSION	02.01	15
HEAD,CYLINDER	02.01	1-A	PLUG,EXPANSION	02.01	16
HEAD,CYLINDER	02.01	4-A	PLUG,EXPANSION	07.02	2
HEAD,CYLINDER	02.01	10	PLUG,O RING	01.01	6-A
HEAD,FUEL FILTER	06.04	2	PLUG,O RING	01.01	25
HEAD,LUB OIL FILTER	07.05	1-A	PLUG,PIPE	01.01	13
HEAD,LUB OIL FILTER	07.05	5	PLUG,PIPE	01.01	22
HOSE,ELBOW	01.08	5	PLUG,PIPE	02.01	2
HOSE,FLEXIBLE	10.06-2	1	PLUG,PIPE	02.01	18
HOSE,FLEXIBLE	12.01	10	PLUG,PIPE	07.05	4
HOSE,PLAIN	04.03	4	PLUG,PIPE	08.09	1
HOSE,PLAIN	05.19	3	PLUG,PIPE	10.01-2A	2
HOSE,PLAIN	10.06	36	PLUG,PIPE	10.01-2B	1
HOSE,PLAIN	10.06-2	4	PLUG,THREADED	01.01	4-A
HOUSING,COMPRESSOR	10.06	37	PLUG,THREADED	01.01	14
HOUSING,FLYWHEEL	16.01	9	PLUG,THREADED	01.01	5-A
HOUSING,GEAR	01.06	10	PLUG,THREADED	01.01	20
HOUSING,TIMING PIN	01.06	1-A	PLUG,THREADED	02.01	5-A
HOUSING,TIMING PIN	01.06	6	PLUG,THREADED	02.01	20
HOUSING,TUR BEARING	10.06	27	PLUG,THREADED	07.01	6
HOUSING,TURBINE	10.06	30	PLUG,THREADED	07.05	9
HUB,FAN	08.03	7	PLUG,THREADED	08.09	1-A
IMPELLER,TUR COMPRESSOR	10.06	25	PLUG,THREADED	08.09	3
INJECTOR	06.01	1-A	PLUG,THREADED	16.01	3
INJECTOR	06.01	6	PLUNGER,PRS REGULATOR	07.05	11
INSERT,VALVE	02.01	14	PULLEY,CRANKSHAFT	01.02-2	3
INSERT,VALVE	02.01	17	PULLEY,FAN	08.03	9
INSERT,VALVE	02.01	S-1	PUMP,FUEL INJECTION	05.21	2
INSERT,VALVE	02.01	S-2	PUMP,FUEL TRANSFER	06.05	9
ISOLATOR,NOISE	03.01-1	2	PUMP,LUBRICATING OIL	07.06	2
KEY,PLAIN WOODRUFF	01.07	3	PUMP,WATER	08.01	3
KIT,ENGINE PISTON(O/S 1.0)	01.04	S-3	REAR SEAL,WEAR SLEEVE KIT	01.02	S-6
KIT,ENGINE PISTON(O/S 0.5)	01.04	S-2	RETAINER,FAN HUB	08.03	8
KIT,ENGINE PISTON(STD)	01.04	3-A	RETAINER,VALVE SPRING	02.01	8
KIT,EXHAUST VALVE	02.01	3-A	RING,COMPRESSION PISTON	01.04	9
KIT,INTAKE VALVE	02.01	2-A	RING,COMPRESSION PISTON	01.04	10
KIT,WATER PUMP	08.01	S-1	RING,OIL PISTON	01.04	8
LEVER,ROCKER	03.01	2-A	RING,RETAINING	01.04	6
LEVER,ROCKER	03.01	3-A	RING,RETAINING	01.06	4
LEVER,ROCKER	03.01	10	RING,RETAINING	08.03	3
LEVER,ROCKER	03.01	4-A	RING,RETAINING	10.06	8
LEVER,ROCKER	03.01	5-A	RING,RETAINING	10.06	10
LEVER,ROCKER	03.01	11	RING,RETAINING	10.06	14
MANIFOLD,EXHAUST	10.06-1	1	RING,RETAINING	10.06	31
MOTOR,STARTING	13.05	1	ROD,ENGINE CONNECTING	01.04	2-A
NOZZLE,PISTON COOLING	01.01	10	ROD,ENGINE CONNECTING	01.04	1
NUT,HEAVY HEXAGON	03.01	7	ROD,PUSH	03.01	2
NUT,HEXAGON FLANGE	03.01-1	7	SCREW,BANJO CONNECTOR	05.01-5	2
NUT,HEXAGON FLANGE	09.01	1	SCREW,BANJO CONNECTOR	05.19	2
NUT,HEXAGON FLANGE	10.05	3	SCREW,BANJO CONNECTOR	06.03-1	3
NUT,HEXAGON FLANGE	10.06	13	SCREW,BANJO CONNECTOR	06.04-1	1-A
NUT,HEXAGON FLANGE	10.06-2	12	SCREW,BANJO CONNECTOR	06.04-1	1
NUT,HEXAGON FLANGE	12.01	1	SCREW,BANJO CONNECTOR	06.05	2
NUT,LOCK	10.01-2B	4	SCREW,BANJO CONNECTOR	06.05	6
NUT,LOCK	10.06	3	SCREW,BANJO CONNECTOR	12.01	6
PAN,OIL	07.01	3	SCREW,CAPTIVE WASHER CAP	06.04-1	2
PIN,PISTON	01.04	5	SCREW,CONNECTING ROD CAP	01.04	2
PIN,ROLL	10.06	26	SCREW,DRIVE	01.06-1	2
PIN,TIMING	01.06	3	SCREW,DRIVE	10.06	5
PIPE,AIR TRANSFER	10.01-2B	3	SCREW,FLAT HEAD CAP	13.02-2	4
PISTON,ENGINE	01.04	1-A	SCREW,HEX FLANGE HEAD CAP	01.01	3
PISTON,ENGINE(STD)	01.04	7	SCREW,HEX FLANGE HEAD CAP	01.01	23
PLATE,CLAMPING	10.06	28	SCREW,HEX FLANGE HEAD CAP	01.02-2	1
PLATE,COVER	16.01	8	SCREW,HEX FLANGE HEAD CAP	01.06	1
PLATE,CYL BLOCK STIFFENER	17.07	1	SCREW,HEX FLANGE HEAD CAP	01.06	11
PLATE,OIL SEAL	10.06	17	SCREW,HEX FLANGE HEAD CAP	01.06	12
PLUG,EXPANSION	01.01	6	SCREW,HEX FLANGE HEAD CAP	02.01	1

SCREW, HEX FLANGE HEAD

PART NAME	FIG	KEY	PART NAME	FIG	KEY
SCREW,HEX FLANGE HEAD CAP	03.01	3	SEAL,SPLIT RING	10.06	38
SCREW,HEX FLANGE HEAD CAP	04.03	2	SEAL,SPLIT RING	10.06	39
SCREW,HEX FLANGE HEAD CAP	06.01	1	SEAL,THERMOSTAT	08.07	2
SCREW,HEX FLANGE HEAD CAP	06.01	5	SEAL,VALVE STEM	02.01	6
SCREW,HEX FLANGE HEAD CAP	06.03-1	2	SET,MAIN BEARING(STD)	01.02	2-A
SCREW,HEX FLANGE HEAD CAP	06.03-2	2	SHAFT & WHEEL	10.06	7
SCREW,HEX FLANGE HEAD CAP	06.03-2	3	SHAFT,ROCKER LEVER	03.01	4
SCREW,HEX FLANGE HEAD CAP	06.03-3	2	SHIELD,TURBOCHARGER HEAT	10.06	6
SCREW,HEX FLANGE HEAD CAP	06.04	1	SLEEVE,SALVAGE	01.01	27
SCREW,HEX FLANGE HEAD CAP	06.05	1	SLINGER,OIL	10.06	18
SCREW,HEX FLANGE HEAD CAP	07.01	1	SOCKET,ROCKET LEVER	03.01	6
SCREW,HEX FLANGE HEAD CAP	07.01-1	1	SPACER,MOUNTING	06.05	3
SCREW,HEX FLANGE HEAD CAP	07.01-1	2	SPACER,MOUNTING	10.06	20
SCREW,HEX FLANGE HEAD CAP	07.05	1	SPACER,MOUNTING	10.06-1	4
SCREW,HEX FLANGE HEAD CAP	08.01	1	SPACER,MOUNTING	17.06	7
SCREW,HEX FLANGE HEAD CAP	08.03	1	SPACER,THREADED	06.03-1	6
SCREW,HEX FLANGE HEAD CAP	08.03	2	SPRING,COMPRESSION	07.05	3
SCREW,HEX FLANGE HEAD CAP	08.03-1	1	SPRING,VALVE	02.01	7
SCREW,HEX FLANGE HEAD CAP	08.07-1B	2	STRAINER,FUEL	05.19	6
SCREW,HEX FLANGE HEAD CAP	08.07-1C	1	STUD	10.05	2
SCREW,HEX FLANGE HEAD CAP	09.01	2	STUD,DOUBLE END PLAIN	09.01	8
SCREW,HEX FLANGE HEAD CAP	09.01	3	STUD,DOUBLE END PLAIN	12.01	3
SCREW,HEX FLANGE HEAD CAP	10.01-2C	1	SUPPORT,CAMSHAFT THRUST	01.07	5
SCREW,HEX FLANGE HEAD CAP	10.01-2D	1	SUPPORT,FAN	08.03	1-A
SCREW,HEX FLANGE HEAD CAP	10.06	24	SUPPORT,FAN	08.03	4
SCREW,HEX FLANGE HEAD CAP	10.06-1	2	SUPPORT,ROCKER LEVER	03.01	5
SCREW,HEX FLANGE HEAD CAP	10.06-2	3	SWITCH,PRESSURE	05.21	1
SCREW,HEX FLANGE HEAD CAP	12.01	2	TAPPET,VALVE	04.01	1
SCREW,HEX FLANGE HEAD CAP	12.01-3	3	TENSIONER,BELT	13.02-2	5
SCREW,HEX FLANGE HEAD CAP	12.01-3	4	THERMOSTAT	08.07	1-A
SCREW,HEX FLANGE HEAD CAP	13.02-2	1	THERMOSTAT	08.07	1
SCREW,HEX FLANGE HEAD CAP	16.01	4	TUBE,AIR FUEL CONTROL	05.01-5	1
SCREW,HEX FLANGE HEAD CAP	16.01	6	TUBE,CPR WATER INLET	12.01-3	10
SCREW,HEX FLANGE HEAD CAP	16.01	7	TUBE,CPR WATER OUTLET	12.01-3	5
SCREW,HEX FLANGE HEAD CAP	17.06	1	TUBE,CPR WATER OUTLET	12.01-3	6
SCREW,HEX FLANGE HEAD CAP	17.06	2	TUBE,FUEL DRAIN	06.03-1	1
SCREW,HEX FLANGE HEAD CAP	17.06	6	TUBE,FUEL SUPPLY	06.04-1	3
SCREW,HEXAGON HEAD CAP	01.07	2	TUBE,FUEL SUPPLY	06.05	8
SCREW,HEXAGON HEAD CAP	07.06	1	TUBE,INJECTOR FUEL SUPPLY	06.03-2	1
SCREW,HEXAGON HEAD CAP	08.03	5	TUBE,INJECTOR FUEL SUPPLY	06.03-3	1
SCREW,HEXAGON HEAD SET	10.06	16	TUBE,OIL GAUGE	07.02	4
SCREW,HEXAGON HEAD SET	10.06	29	TUBE,TUR OIL DRAIN	10.06-2	11
SCREW,HEXAGON HEAD SET	10.06	40	TURBOCHARGER	10.05	1-A
SCREW,RKR LEVER ADJUSTING	03.01	8	TURBOCHARGER	10.05	1
SCREW,ROUND HEAD CAP	01.06	2	TURBOCHARGER	10.06	1-A
SCREW,STUDDER FLANGE CAP	03.01-1	6	TURBOCHARGER	10.06	2-A
SCREW,STUDDER FLANGE CAP	10.06-1	3	VALVE,EXHAUST	02.01	9
SCREW,STUDDER FLANGE CAP	17.06	5	VALVE,INTAKE	02.01	5
SCREW,TWELVE POINT CAP	12.04	1	VALVE,PRESSURE RELIEF	07.05	2
SCREW,TWELVE POINT CAP	13.05-1	1	WASHER,PLAIN	10.06	4
SEAL,GROMMET	04.03	1	WASHER,SEALING	05.01-5	3
SEAL,GROMMET	06.03-1	5	WASHER,SEALING	05.19	1
SEAL,O RING	01.01	15	WASHER,SEALING	06.03-1	4
SEAL,O RING	01.01	19	WASHER,SEALING	06.04-1	4
SEAL,O RING	01.01	21	WASHER,SEALING	06.05	4
SEAL,O RING	01.01	24	WASHER,SEALING	06.05	5
SEAL,O RING	01.06	5	WASHER,SEALING	07.01	2
SEAL,O RING	02.01	19	WASHER,SEALING	10.06-2	8
SEAL,O RING	03.01-1	5	WASHER,SEALING	12.01	7
SEAL,O RING	06.01	2			
SEAL,O RING	07.02	3			
SEAL,O RING	07.05	10			
SEAL,O RING	08.01	2			
SEAL,O RING	08.09	2			
SEAL,O RING	10.01-2B	2			
SEAL,O RING	10.06	15			
SEAL,O RING	10.06	41			
SEAL,O RING	10.06-2	6			
SEAL,OIL	01.06	8			
SEAL,OIL	16.01	2			
SEAL,RECTANGULAR RING	01.06	7			
SEAL,RECTANGULAR RING	01.08	2			
SEAL,RECTANGULAR RING	08.07-1B	3			
SEAL,RECTANGULAR RING	12.01	4			
SEAL,RECTANGULAR RING	15.06	2			

01

CYLINDER BLOCK

- 01.01** CYLINDER BLOCK
- 01.02** CRANKSHAFT
- 01.02-2** VIBRATION DAMPER
- 01.04** CONNECTING ROD AND PISTON
- 01.06** FRONT GEAR COVER
- 01.06-1** DATAPLATE
- 01.07** CAMSHAFT
- 01.08** CYLINDER BLOCK COVER

FIG NO. 01.01

CYLINDER BLOCK

©Cummins Inc

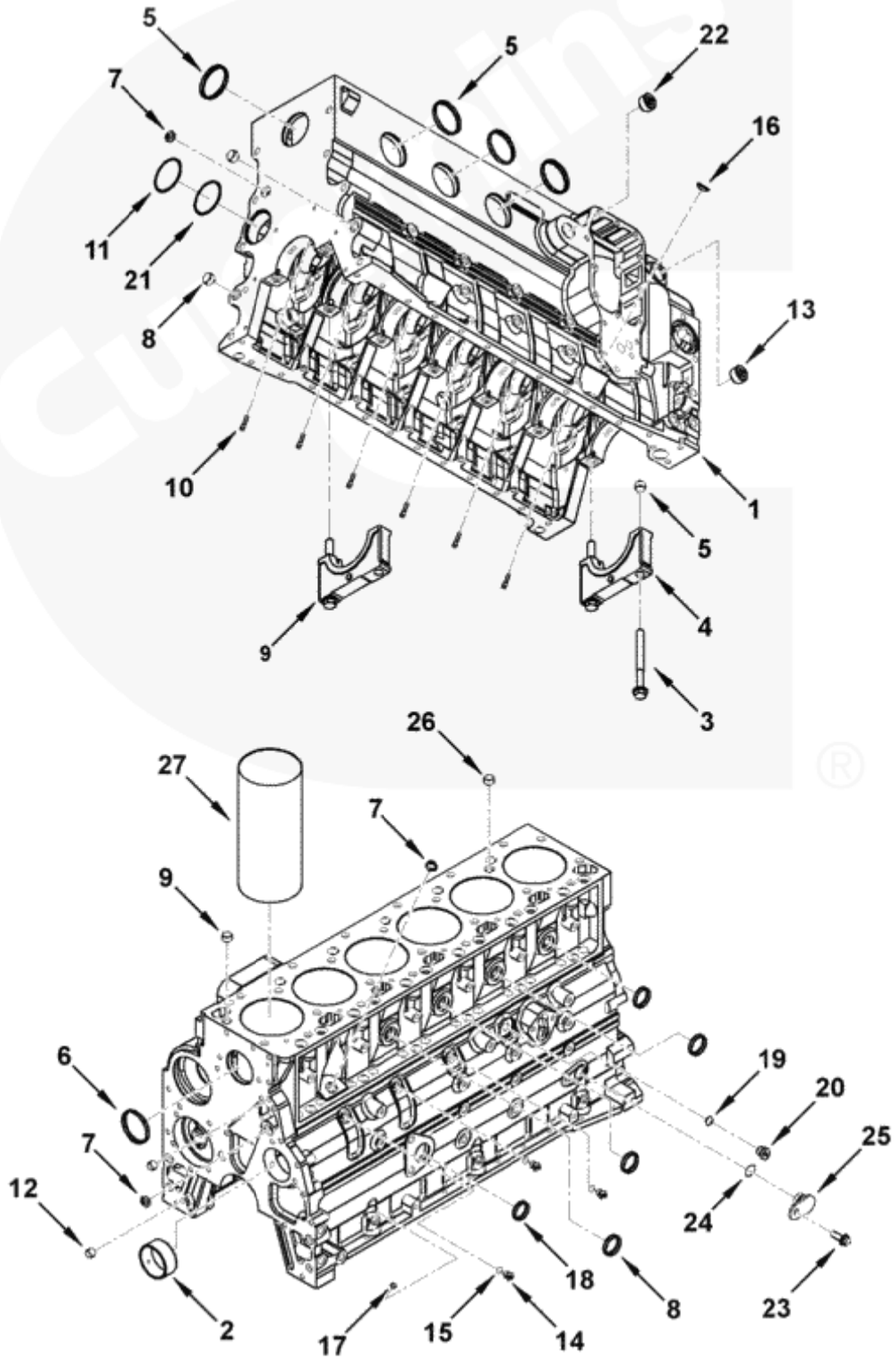
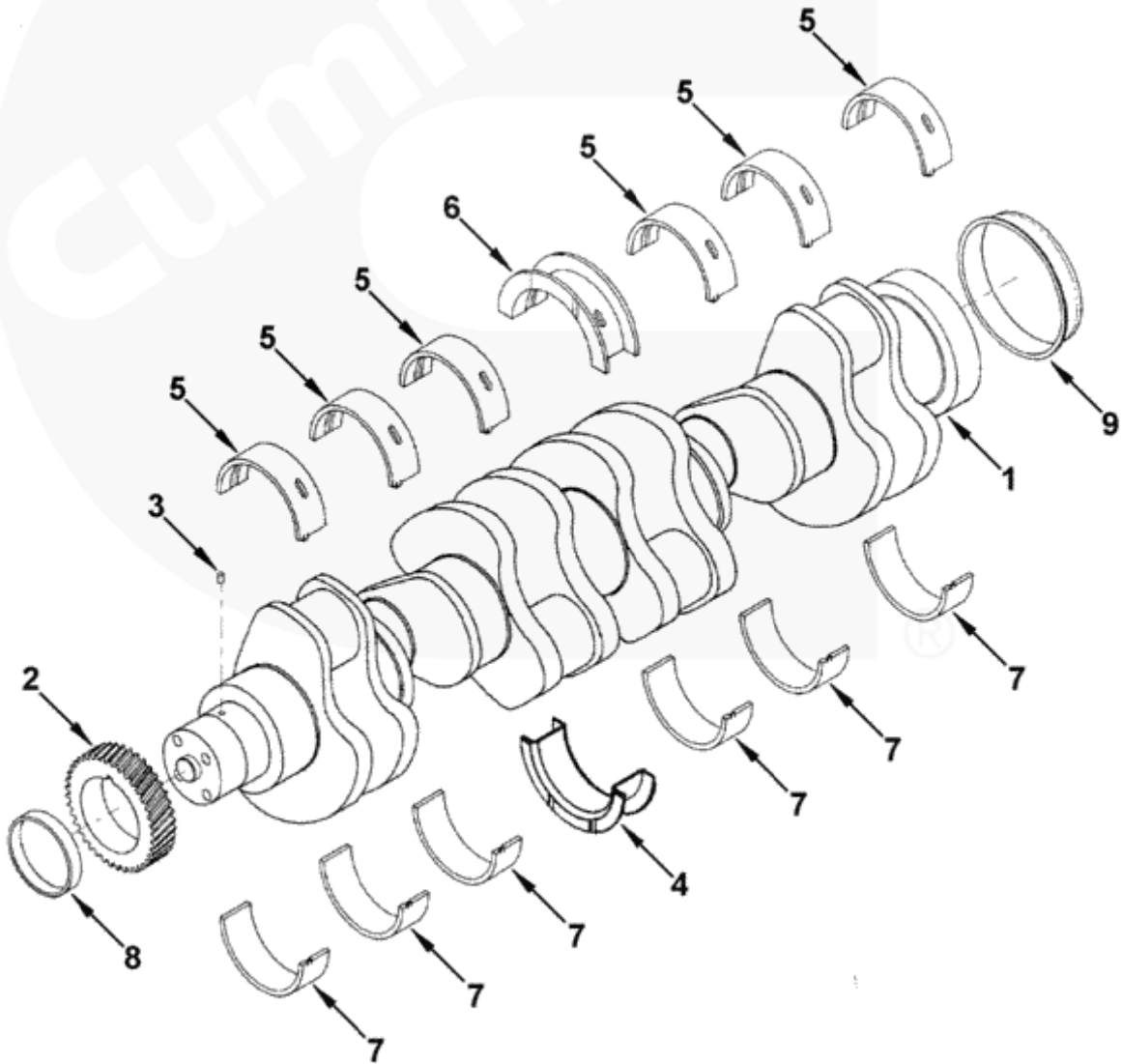


Fig No. 01.01

CYLINDER BLOCK

K E Y	L E V E L	PART NO.	PART NAME	Q T Y	S / C	B 5 - 9	REMARK
1-A	1	3935938	BLOCK,CYLINDER	1	N	X	INCL.1~9
1	2	3935937	BLOCK,CYLINDER	1	N	X	
2	2	4983253	BUSHING	1		X	
3	2	3927948	SCREW,HEX FLANGE HEAD CAP	14		X	
2-A	2	5314775	CAP,MAIN BEARING	6		X	INCL.4,5
4	3	3974156	CAP,MAIN BEARING	1	N	X	
5	3	5315765	DOWEL,RING	2		X	
6	2	3922072	PLUG,EXPANSION	5		X	
7	2	3900956	PLUG,EXPANSION	3		X	
8	2	3914035	PLUG,EXPANSION	4	N	X	
3-A	2	5314776	CAP,MAIN BEARING	1		X	INCL.9,5
9	3	3974158	CAP,MAIN BEARING	1	N	X	
5	3	5315765	DOWEL,RING	2		X	
10	1	3937214	NOZZLE,PISTON COOLING	1		X	
11	1	3900687	PLUG,EXPANSION	1		X	
12	1	3900257	DOWEL,PIN	2		X	
13	1	3936641	PLUG,PIPE	1		X	1/2-14
5	1	3900068	DOWEL,RING	2		X	
4-A	1	3678923	PLUG,THREADED	2		X	M10X1.00X13
14	2	3678924	PLUG,THREADED	1	N	X	M10X1.00X13
15	2	3678925	SEAL,O RING	1		X	M10
16	1	3920706	PLUG,EXPANSION	1		X	
5-A	1	3678921	PLUG,THREADED	1		X	M14X1.50X16 (INCL.19,20)
19	2	3678912	SEAL,O RING	1	N	X	M14
20	2	3678922	PLUG,THREADED	1		X	M14X1.50X16
21	1	3926047	SEAL,O RING	1		X	
22	1	3008469	PLUG,PIPE	1		X	3/4 NPT
23	1	3925883	SCREW,HEX FLANGE HEAD CAP	1		X	M8X1.25X16
6-A	1	3932296	PLUG,O RING	1		X	INCL.24,25
24	2	3330478	SEAL,O RING	1		X	
25	2	3932290	PLUG,O RING	1	N	X	
26	1	3902343	DOWEL,RING	2		X	
27	1	3904166	SLEEVE,SALVAGE	AR		X	service parts

©Cummins Inc



K E Y	L E V E L	PART NO.	PART NAME	Q T Y	S / C	B 5 - 9	REMARK
1-A	1	5271173	CRANKSHAFT,ENGINE	1		X	INCL.1~3
1	2	5262036	CRANKSHAFT,ENGINE	1		X	
2	2	3929027	GEAR,CRANKSHAFT	1		X	
3	2	3904483	DOWEL,PIN	1		X	
2-A	1	4955521	SET,MAIN BEARING(STD)	1		X	STANDARD(incl.4~7)
4	2	3978824	BEARING,THRUST	1		X	LOWER;STD (service parts:[S-1])
5	2	3978818	BEAIRNG,MAIN	6		X	UPPER;STD (service parts:[S-2])
6	2	3978822	BEARING,THRUST	1		X	UPPER;STD (service parts:[S-3])
7	2	3978820	BEARING,MAIN	6		X	LOWER;STD (service parts:[S-4])
S-1	0	4938942	BEARING,THRUST	AR		X	0.25mm OVERSIZE
		4938943		AR		X	0.50mm OVERSIZE
		4938944		AR		X	0.75mm OVERSIZE
		4938945		AR		X	1.00mm OVERSIZE
		4938946		AR		X	0.50mm OVERSIZE
		4938947		AR		X	1.00mm OVERSIZE
S-2	0	4938933	BEARING,MAIN	AR		X	0.25mm OVERSIZE
		4938934		AR		X	0.50mm OVERSIZE
		4938935		AR		X	0.75mm OVERSIZE
		4938936		AR		X	1.00mm OVERSIZE
S-3	0	4938949	BEARING,THRUST	AR		X	0.25mm OVERSIZE
		4938950		AR		X	0.50mm OVERSIZE
		4938951		AR		X	0.75mm OVERSIZE
		4938952		AR		X	1.00mm OVERSIZE
		4938953		AR		X	0.50mm OVERSIZE
		4938954		AR		X	1.00mm OVERSIZE
S-4	0	4938937	BEARING,MAIN	AR		X	0.25mm OVERSIZE
		4938938		AR		X	0.50mm OVERSIZE
		4938939		AR		X	0.75mm OVERSIZE
		4938940		AR		X	1.00mm OVERSIZE
S-5	0	3802820	FRONT SEAL,WEAR SLEEVE KIT	AR		X	FRONT
S-6	0	3926126	REAR SEAL,WEAR SLEEVE KIT	AR		X	REAR

FIG NO. 01.02-2

VIBRATION DAMPER

©Cummins Inc

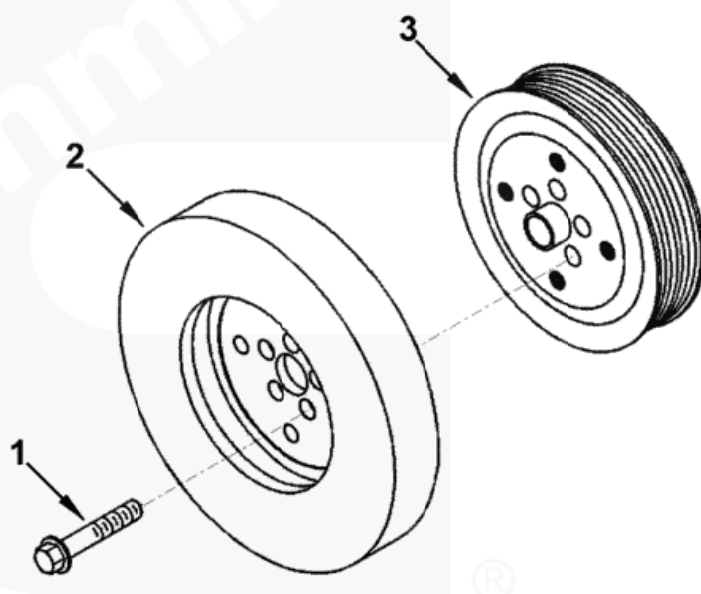


Fig No. 01.02-2 VIBRATION DAMPER

KEY	LEVEL	PART NO.	PART NAME	QTY	S/C	B5-9	REMARK
1	1	3903857	SCREW,HEX FLANGE HEAD CAP	4		X	M12X1.25X36
2	1	5267980	DAMPER,VISCOUS VIBRATION	1		X	
3	1	5263196	PULLEY,CRANKSHAFT	1		X	

01 CYLINDER BLOCK

©Cummins Inc

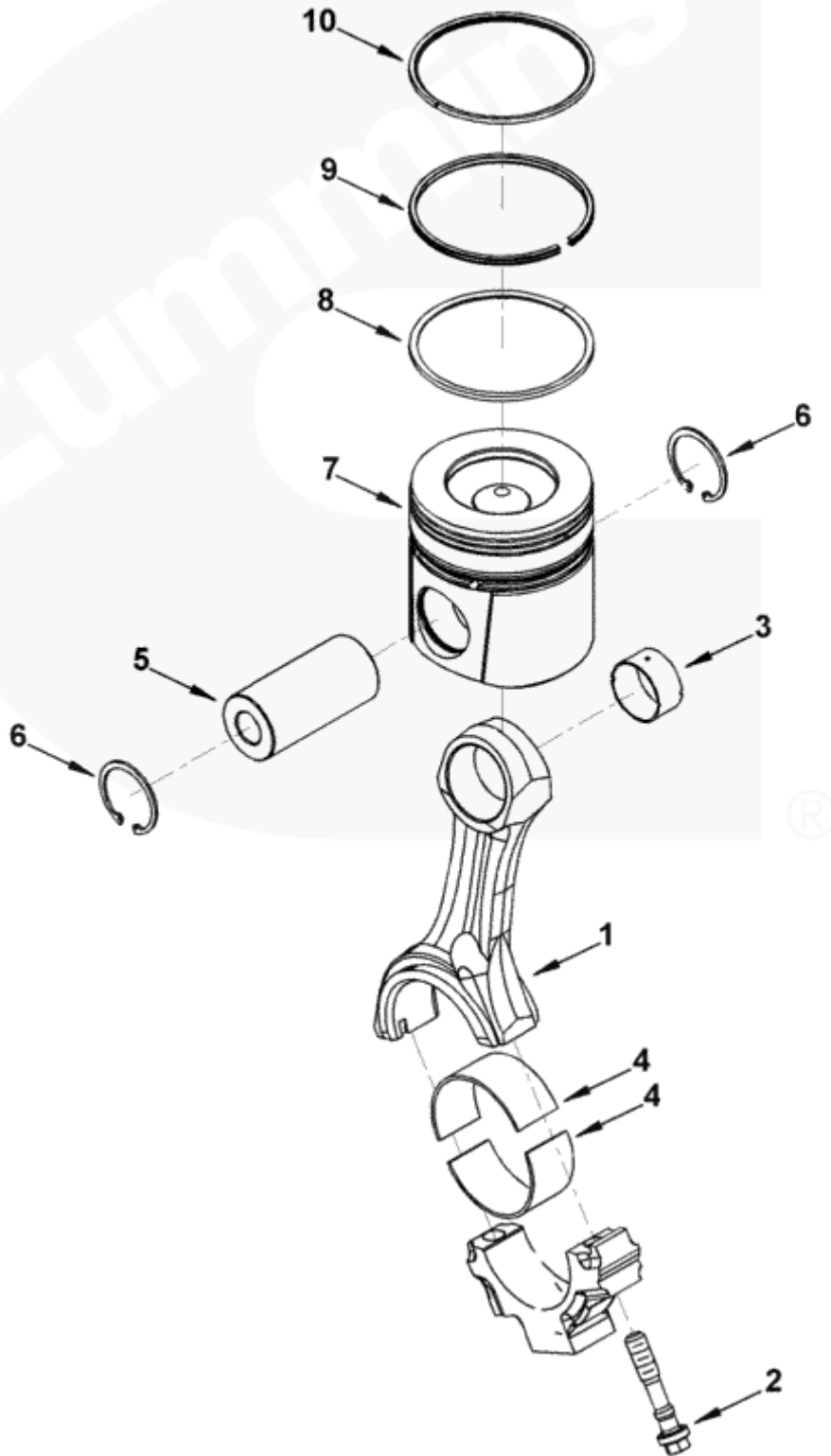


Fig No. 01.04

CONNECTING ROD AND PISTON

K E Y	L E V E L	PART NO.	PART NAME	Q T Y	S / C	B 5 . 9	REMARK
1-A	1	5291986	PISTON,ENGINE	1	N	X	incl.1~10
2-A	2	3935349	ROD,ENGINE CONNECTING	6	N	X	incl.1~3
1	3	3935348	ROD,ENGINE CONNECTING	1		X	
2	3	3900919	SCREW,CONNECTING ROD CAP	2		X	MJ11X1.25X26
3	3	4891178	BUSHING	1		X	
4	2	3969562	BEARING,CONNECTING ROD	12		X	STD(service parts: [S-1])
3-A	2	5292544	KIT,ENGINE PISTON(STD)	1	N	X	STD(incl.5~7)(service parts:[S-1][S-2])
5	3	3934047	PIN,PISTON	6		X	
6	3	3920691	RING,RETAINING	12		X	
7	3	5291987	PISTON,ENGINE(STD)	6	N	X	serviced as [3-A]
8	2	3932520	RING,OIL PISTON	6		X	
9	2	5291988	RING,COMPRESSION PISTON	6		X	
10	2	3959079	RING,COMPRESSION PISTON	6	N	X	
S-1	0	4932375	BEARING,CONNECTING ROD	AR		X	0.25mm Oversize
		4932376		AR		X	0.50mm Oversize
		4932377		AR		X	0.75mm Oversize
		4932378		AR		X	1.00mm Oversize
S-2	0	5292545	KIT,ENGINE PISTON(O/S 0.5)	AR		X	0.50mm Oversize
S-3	0	5292546	KIT,ENGINE PISTON(O/S 1.0)	AR		X	1.00mm Oversize

FIG NO. 01.06

FRONT GEAR COVER

©Cummins Inc

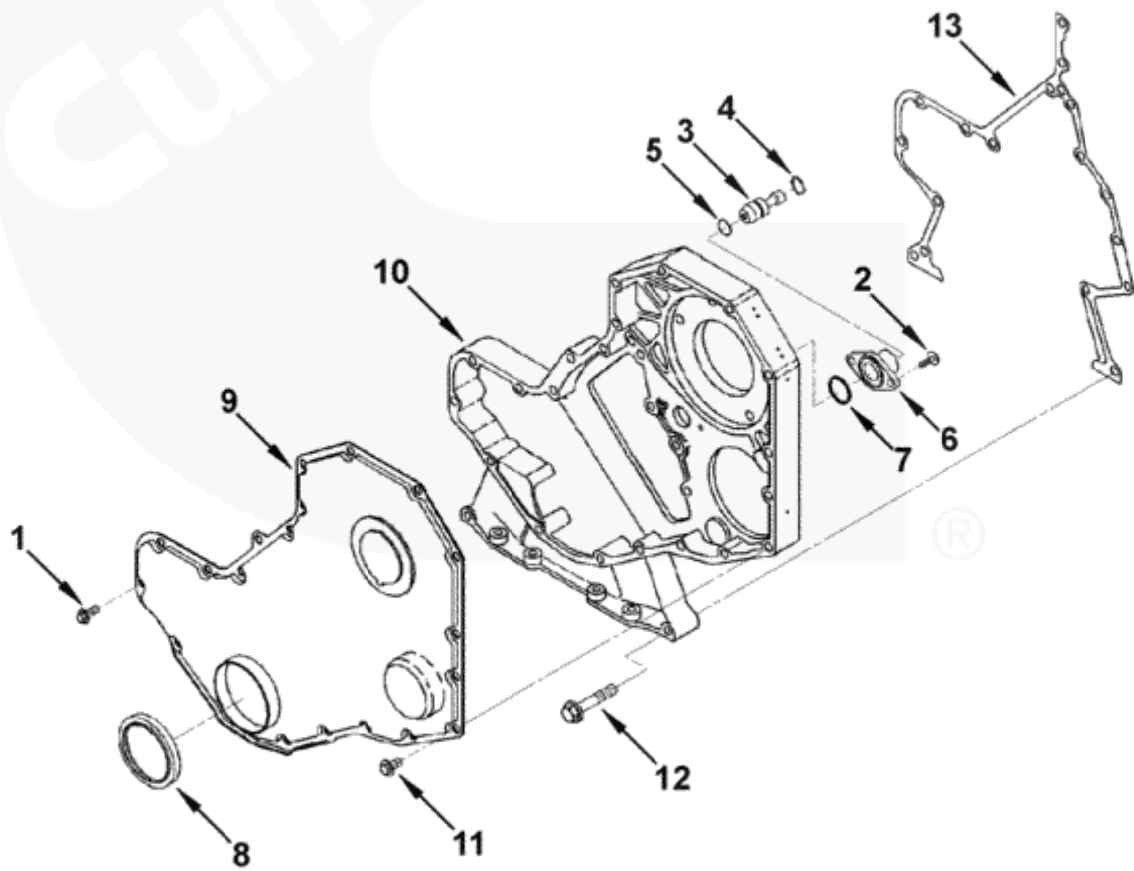


Fig No. 01.06

FRONT GEAR COVER

K E Y	L E V E L	PART NO.	PART NAME	Q T Y	S / C	B 5 . 9	REMARK
1	1	4070594	SCREW,HEX FLANGE HEAD CAP	5		X	
2	1	3907998	SCREW,ROUND HEAD CAP	2		X	M5X0.80X17
1-A	1	3913995	HOUSING,TIMING PIN	1	N	X	incl.3~6
3	2	3903924	PIN,TIMING	1		X	
4	2	3904849	RING,RETAINING	1		X	
5	2	3913994	SEAL,O RING	1		X	
6	2	3919683	HOUSING,TIMING PIN	1		X	
7	1	3915772	SEAL,RECTANGULAR RING	1		X	
2-A	1	3906039	COVER,GEAR	1		X	incl.8~9
8	2	5289874	SEAL,OIL	1		X	
9	2	3923896	COVER,GEAR	1	N	X	serviced as [2-A]
10	1	3920758	HOUSING,GEAR	1		X	
11	1	3924962	SCREW,HEX FLANGE HEAD CAP	11		X	M8X1.25X16
12	1	3900633	SCREW,HEX FLANGE HEAD CAP	11		X	M8X1.25X50
13	1	3916131	GASKET,GEAR HOUSING	1	N	X	

FIG NO. 01.06-1

DATAPLATE

©Cummins Inc

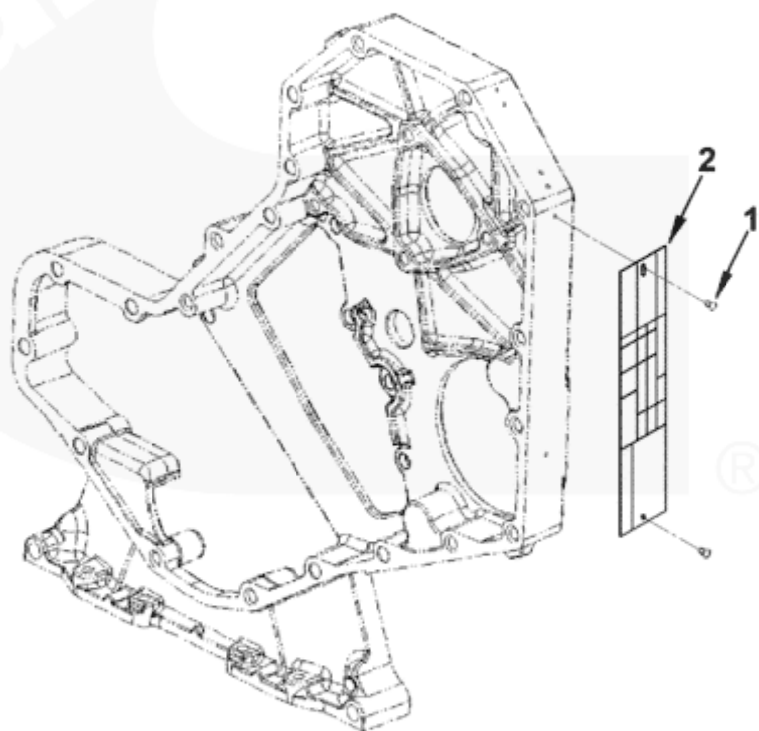


Fig No. 01.06-1 DATAPLATE

KEY	LEVEL	PART NO.	PART NAME	QTY	S/C	B5-9	REMARK
1	1	3931342	DATAPLATE	1		X	
2	1	3908612	SCREW,DRIVE	2		X	

01 CYLINDER BLOCK

FIG NO. 01.07

CAMSHAFT

©Cummins Inc

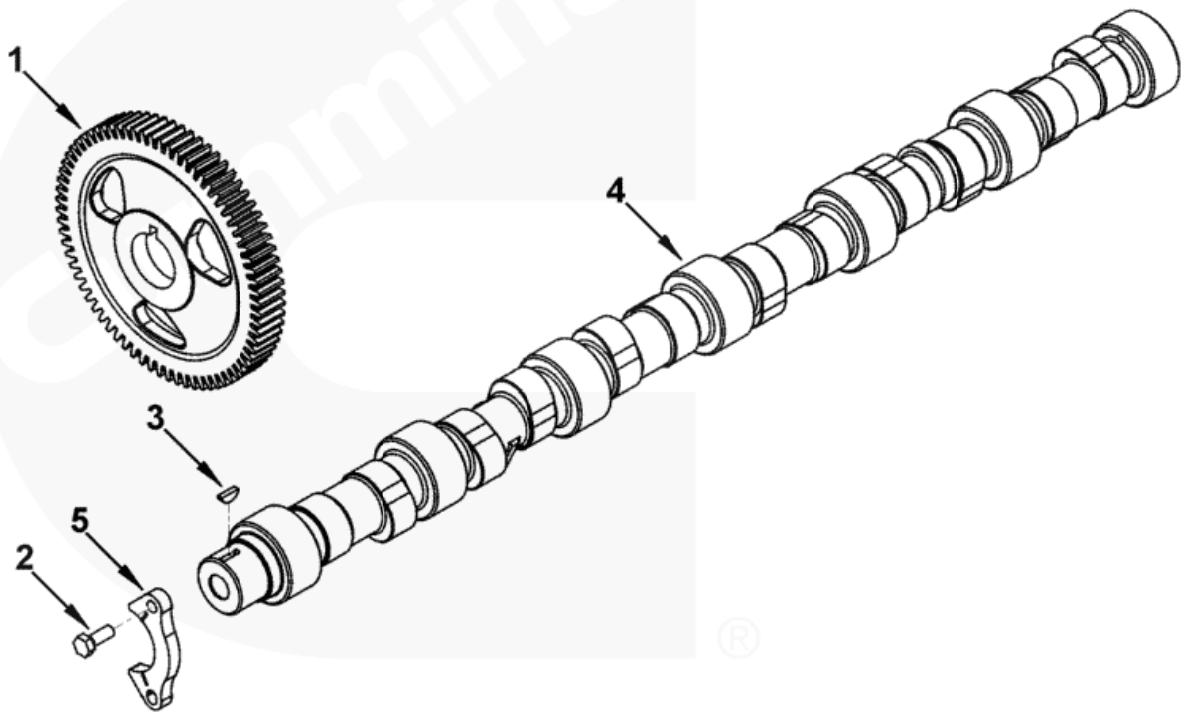


Fig No. 01.07

CAMSHAFT

K E Y	L E V E L	PART NO.	PART NAME	Q T Y	S / C	B 5 . 9	REMARK
1-A	1	4094100	CAMSHAFT	1	N	X	incl.1~5
1	2	3929028	GEAR,CAMSHAFT	1		X	
2	2	3900227	SCREW,HEXAGON HEAD CAP	2		X	M8X1.25X22
3	2	3936612	KEY,PLAIN WOODRUFF	1		X	
4	2	4094069	CAMSHAFT	1		X	
5	2	3927155	SUPPORT,CAMSHAFT THRUST	1		X	

FIG NO. 01.08

CYLINDER BLOCK COVER

©Cummins Inc

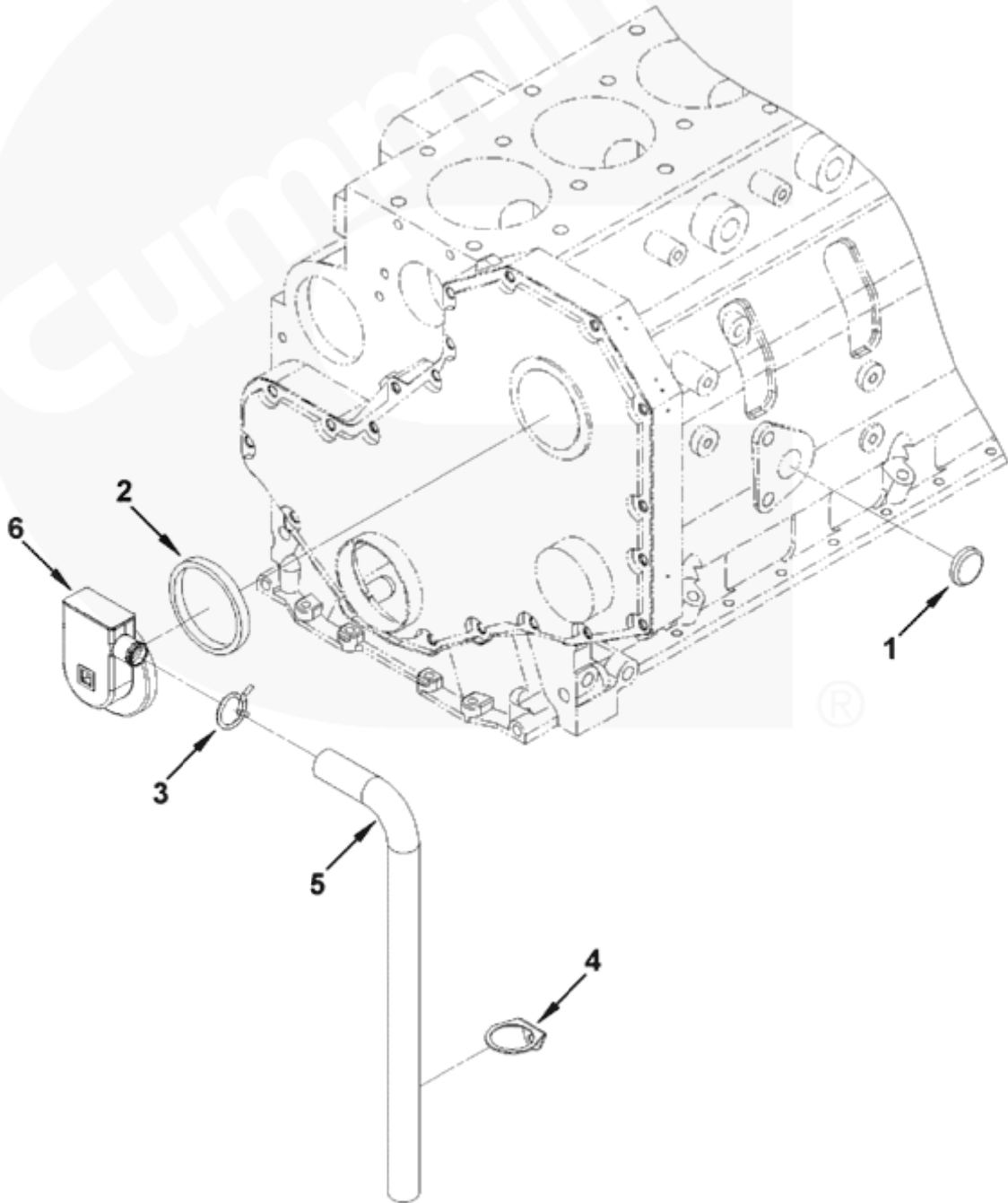


Fig No. 01.08

CYLINDER BLOCK COVER

K E Y	L E V E L	PART NO.	PART NAME	Q T Y	S / C	B 5 . 9	REMARK
1	1	3900958	PLUG,EXPANSION	1		X	
2	1	3903475	SEAL,RECTANGULAR RING	1		X	
3	1	3904230	CLAMP,SPRING HOSE	1		X	
4	1	3928989	CLIP	1		X	
5	1	4094050	HOSE,ELBOW	1		X	
6	1	5290517	BREATHER,CRANKCASE	1		X	

01 CYLINDER BLOCK

02

CYLINDER HEAD

02.01

CYLINDER HEAD

©Cummins Inc

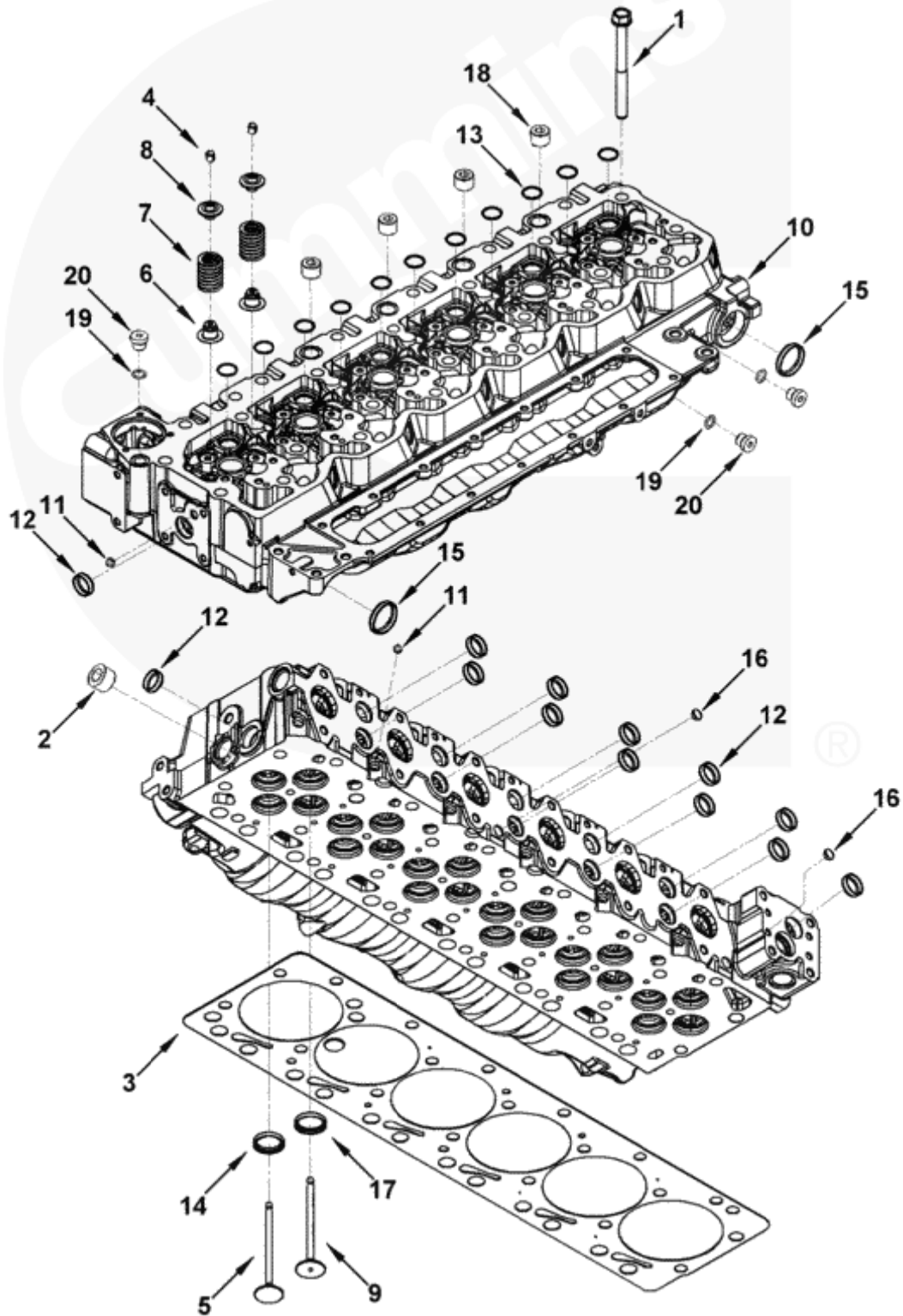


Fig No. 02.01

CYLINDER HEAD

K E Y	L E V E L	PART NO.	PART NAME	Q T Y	S / C	B 5 - 9	REMARK
1	1	3927063	SCREW,HEX FLANGE HEAD CAP	26		X	
2	1	3936642	PLUG,PIPE	1		X	
3	1	3977063	GASKET,CYLINDER HEAD	1		X	
1-A	1	3991773	HEAD,CYLINDER	1		X	Recon Equivalent 3991773NX (INCL.4~17)
2-A	2	3802924	KIT,INTAKE VALVE	12		X	INCL.4~6
4	3	3940123	COLLET,VALVE	2		X	
5	3	3940735	VALVE,INTAKE	1		X	
6	3	4991571	SEAL,VALVE STEM	1		X	
	2	4991571		12		X	
7	2	4936080	SPRING,VALVE	24		X	
8	2	5271485	RETAINER,VALVE SPRING	24		X	
3-A	2	3802967	KIT,EXHAUST VALVE	12		X	INCL.4,9
4	3	3940123	COLLET,VALVE	2		X	
9	3	3940734	VALVE,EXHAUST	1	N	X	serviced as [3-A]
4-A	2	5282704	HEAD,CYLINDER	1	N	X	INCL.10~17
10	3	3991771	HEAD,CYLINDER	1		X	
11	3	3007632	PLUG,EXPANSION	7		X	
12	3	3914035	PLUG,EXPANSION	14	N	X	
13	3	5263672	PLUG,EXPANSION	11		X	
14	3	3943449	INSERT,VALVE	12		X	STANDARD. Service parts [S-1]
15	3	3945094	PLUG,EXPANSION	2		X	
16	3	3945095	PLUG,EXPANSION	2		X	
17	3	3943450	INSERT,VALVE	12		X	STANDARD. Service parts [S-2]
18	1	3936641	PLUG,PIPE	4		X	1/2-14
5-A	1	3678921	PLUG,THREADED	3		X	M14X1.50X16 (INCL.19,20)
19	2	3678912	SEAL,O RING	1		X	M14
20	2	3678922	PLUG,THREADED	1	N	X	M14X1.50X16. serviced as [5-A]
S-1	0	3939719	INSERT,VALVE	AR		X	0.127mm Oversize
		3939720		AR		X	0.254mm Oversize
		3939721		AR		X	0.508mm Oversize
S-2	0	4934074	INSERT,VALVE	AR		X	0.127mm Oversize
		4934075		AR		X	0.254mm Oversize
		4934076		AR		X	0.508mm Oversize

03

ROCKER LEVERS

03.01 ROCKER LEVER

03.01-1 VALVE COVER ARRANGEMENT

FIG NO. 03.01

ROCKER LEVER

©Cummins Inc

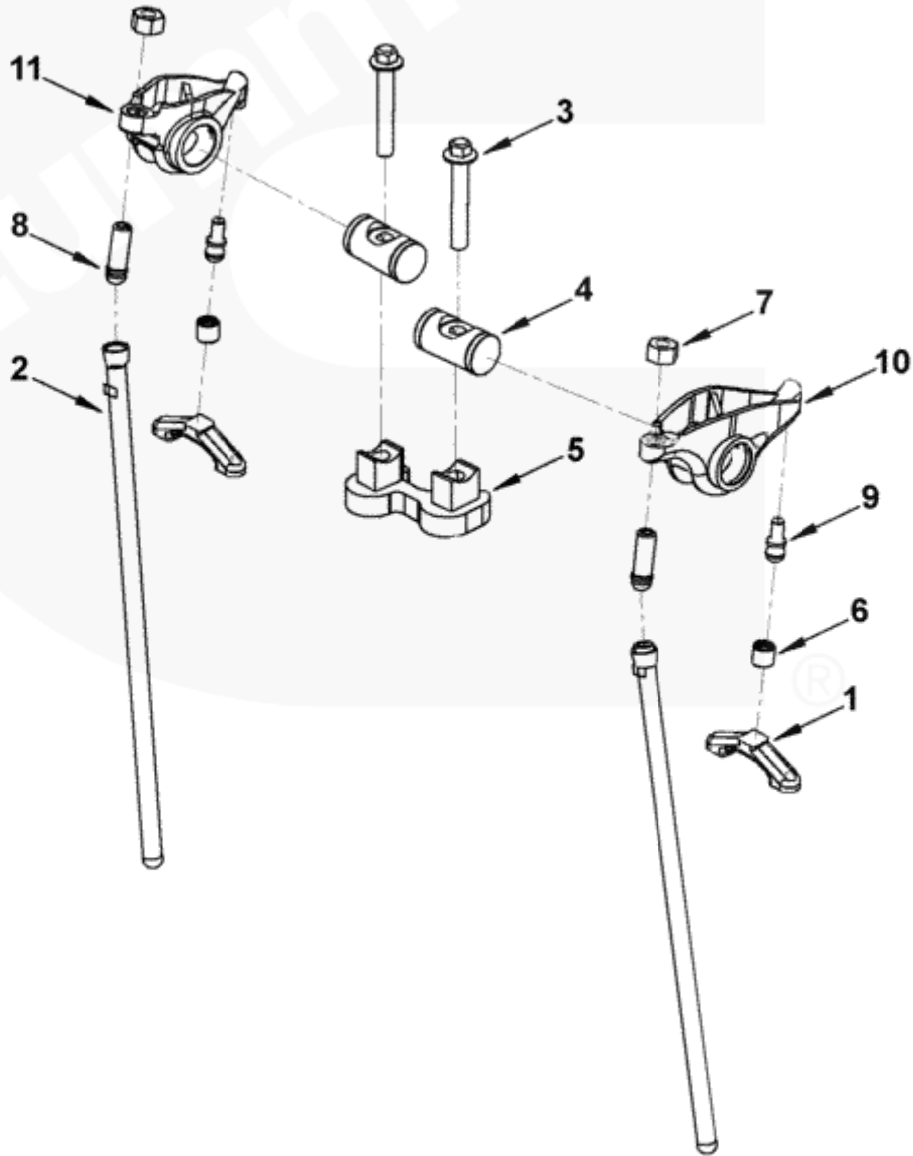


Fig No. 03.01

ROCKER LEVER

K E Y	L E V E L	PART NO.	PART NAME	Q T Y	S / C	B 5 . 9	REMARK
1	1	3943626	CROSSHEAD,VALVE	12		X	
2	1	3941253	ROD,PUSH	12		X	
1-A	1	4995602	ASSEMBLY,ROCKER LEVER	6		X	INCL.3~11
3	2	3990127	SCREW,HEX FLANGE HEAD CAP	2		X	M8X1.25X55
4	2	4928699	SHAFT,ROCKER LEVER	2		X	
5	2	3964908	SUPPORT,ROCKER LEVER	1		X	
2-A	2	4995603	LEVER,ROCKER	1	N	X	INCL.6~10
6	3	4994198	SOCKET,ROCKET LEVER	1	N	X	
3-A	3	4995605	LEVER,ROCKER	1	N	X	INCL.7~10
7	4	3927692	NUT,HEAVY HEXAGON	1		X	
8	4	3959128	SCREW,RKR LEVER ADJUSTING	1		X	
9	4	4994197	BALL,ROCKER LEVER	1	N	X	
10	4	3941928	LEVER,ROCKER	1		X	EXHAUST
4-A	2	4995604	LEVER,ROCKER	1		X	INCL.6~9,11
6	3	4994198	SOCKET,ROCKET LEVER	1	N	X	
5-A	3	4995606	LEVER,ROCKER	1	N	X	INCL.7~9,11
7	4	3927692	NUT,HEAVY HEXAGON	1		X	
8	4	4994197	BALL,ROCKER LEVER	1	N	X	
9	4	4994197	BALL,ROCKER LEVER	1	N	X	
11	4	3941927	LEVER,ROCKER	1	N	X	INTAKE

©Cummins Inc

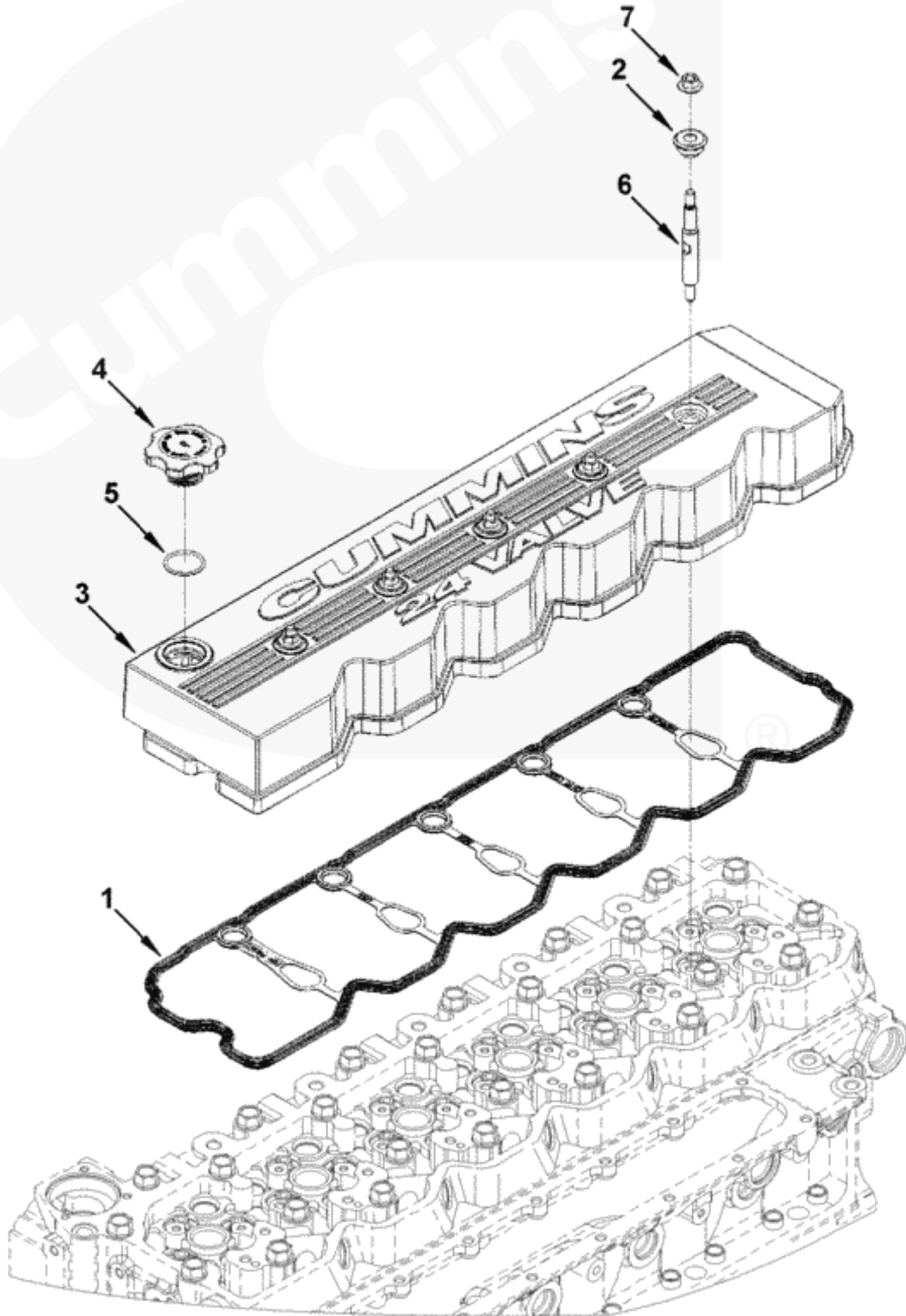


Fig No. 03.01-1 VALVE COVER ARRANGEMENT

K E Y	L E V E L	PART NO.	PART NAME	Q T Y	S / C	B 5 . 9	REMARK
1	1	3935878	GASKET,VALVE COVER	1		X	
2	1	3942659	ISOLATOR,NOISE	5		X	
3	1	3945799	COVER,VALVE	1		X	
1-A	1	5271331	CAP,FILLER	1	N	X	incl.4~5
4	2	5271330	CAP,FILLER	1	N	X	
5	2	5271332	SEAL,O RING	1	N	X	
6	1	5289386	SCREW,STUDED FLANGE CAP	5		X	
7	1	5293027	NUT,HEXAGON FLANGE	5		X	M8X1.25

04

CAM FOLLOWERS

04.01 VALVE TAPPET

04.03 CAM FOLLOWER COVER

FIG NO. 04.01

VALVE TAPPET

©Cummins Inc

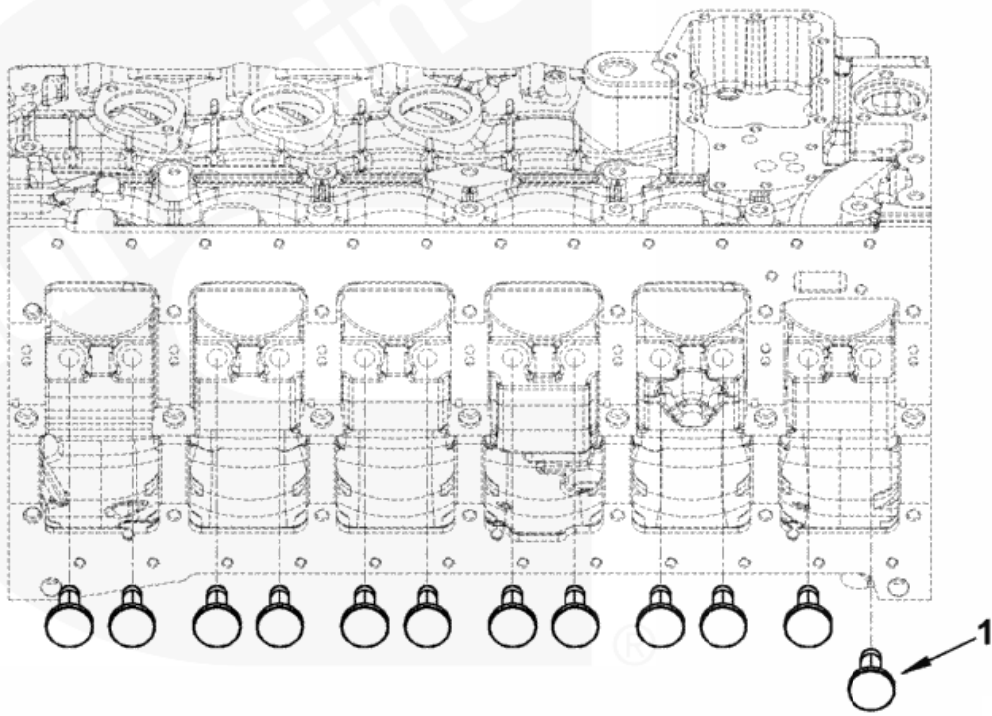


Fig No. 04.01

VALVE TAPPET

KEY	LEVEL	PART NO.	PART NAME	QTY	S/C	B59	REMARK
1	1	3942565	TAPPET,VALVE	12		X	

FIG NO. 04.03

CAM FOLLOWER COVER

©Cummins Inc

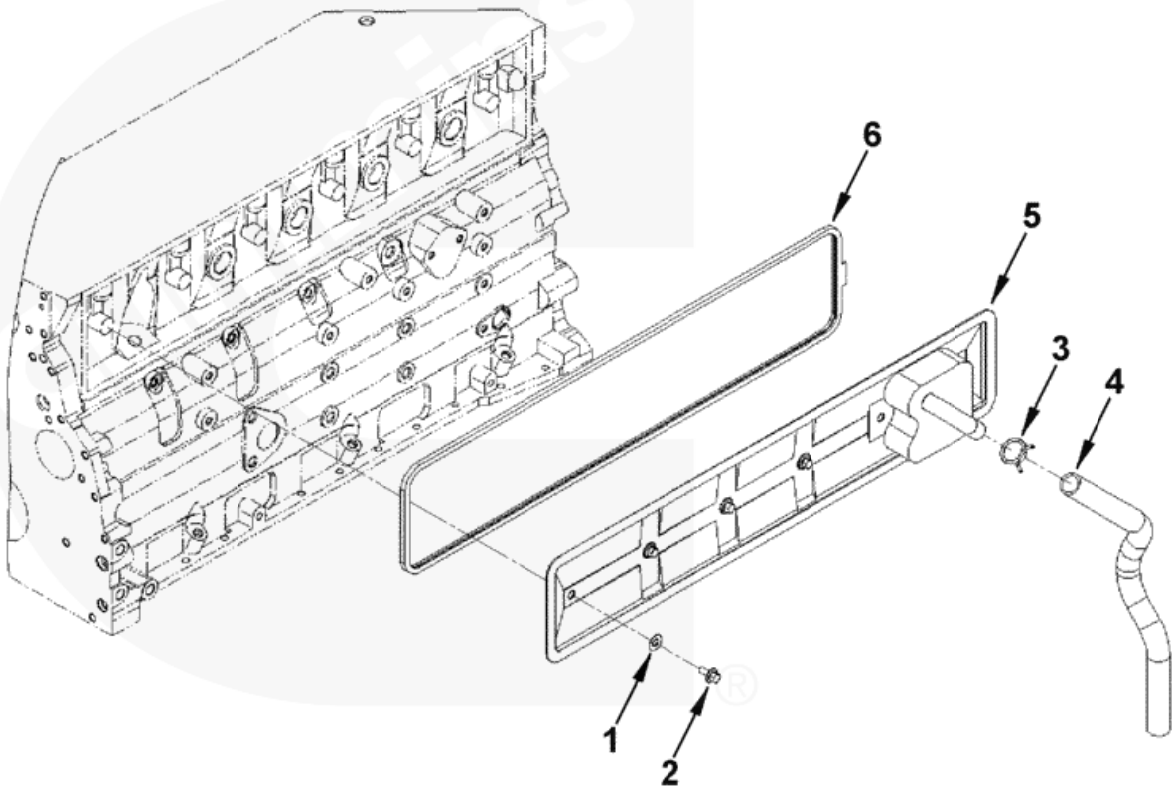


Fig No. 04.03

CAM FOLLOWER COVER

K E Y	L E V E L	PART NO.	PART NAME	Q T Y	S / C	B 5 . 9	REMARK
1	1	3928759	SEAL,GROMMET	4		X	
2	1	3900629	SCREW,HEX FLANGE HEAD CAP	4		X	M8X1.25X16
3	1	3904230	CLAMP,SPRING HOSE	1		X	1"
4	1	3918614	HOSE,PLAIN	1		X	
5	1	3927913	COVER,PUSH ROD	1		X	
6	1	3284623	GASKET,PUSH ROD COVER	1		X	

05

FUEL SYSTEM

- 05.01-5** AIR FUEL CONTROL PLUMBING
- 05.19** FUEL SYSTEM ACCESSORIES
- 05.21** FUEL INJECTION PUMP

©Cummins Inc

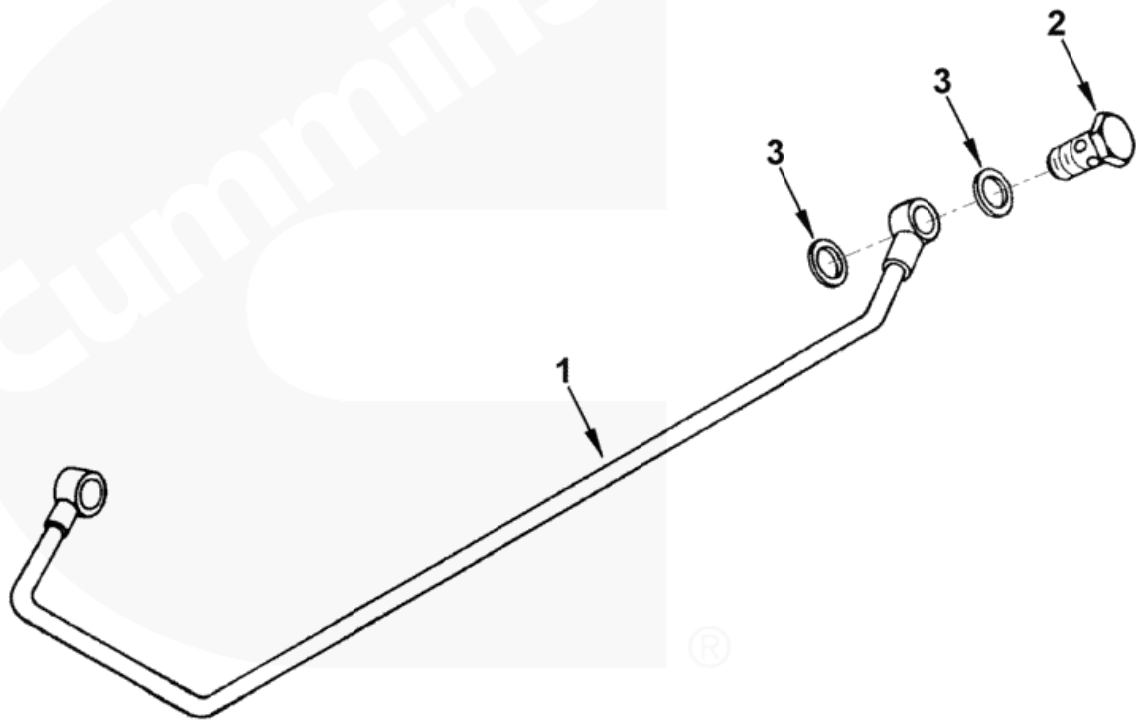
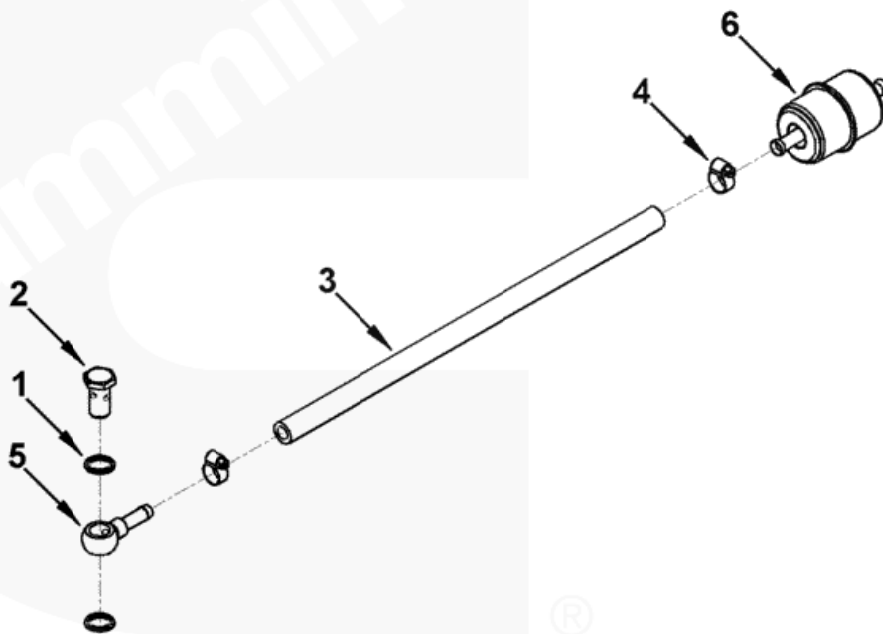


Fig No. 05.01-5 AIR FUEL CONTROL PLUMBING

KEY	LEVEL	PART NO.	PART NAME	QTY	S/C	B5-9	REMARK
1	1	4990700	TUBE,AIR FUEL CONTROL	1		X	
2	1	3924724	SCREW,BANJO CONNECTOR	2		X	
3	1	3918188	WASHER,SEALING	4		X	

©Cummins Inc



K E Y	L E V E L	PART NO.	PART NAME	Q T Y	S / C	B 5 . 9	REMARK
1	1	3918192	WASHER,SEALING	2		X	
2	1	3924725	SCREW,BANJO CONNECTOR	1		X	M14X1.50X26
3	1	3915489	HOSE,PLAIN	1		X	
4	1	3936583	CLAMP,HOSE	2	N	X	
5	1	3936593	CONNECTOR,BANJO	1		X	
6	1	3931868	STRAINER,FUEL	1		X	

©Cummins Inc

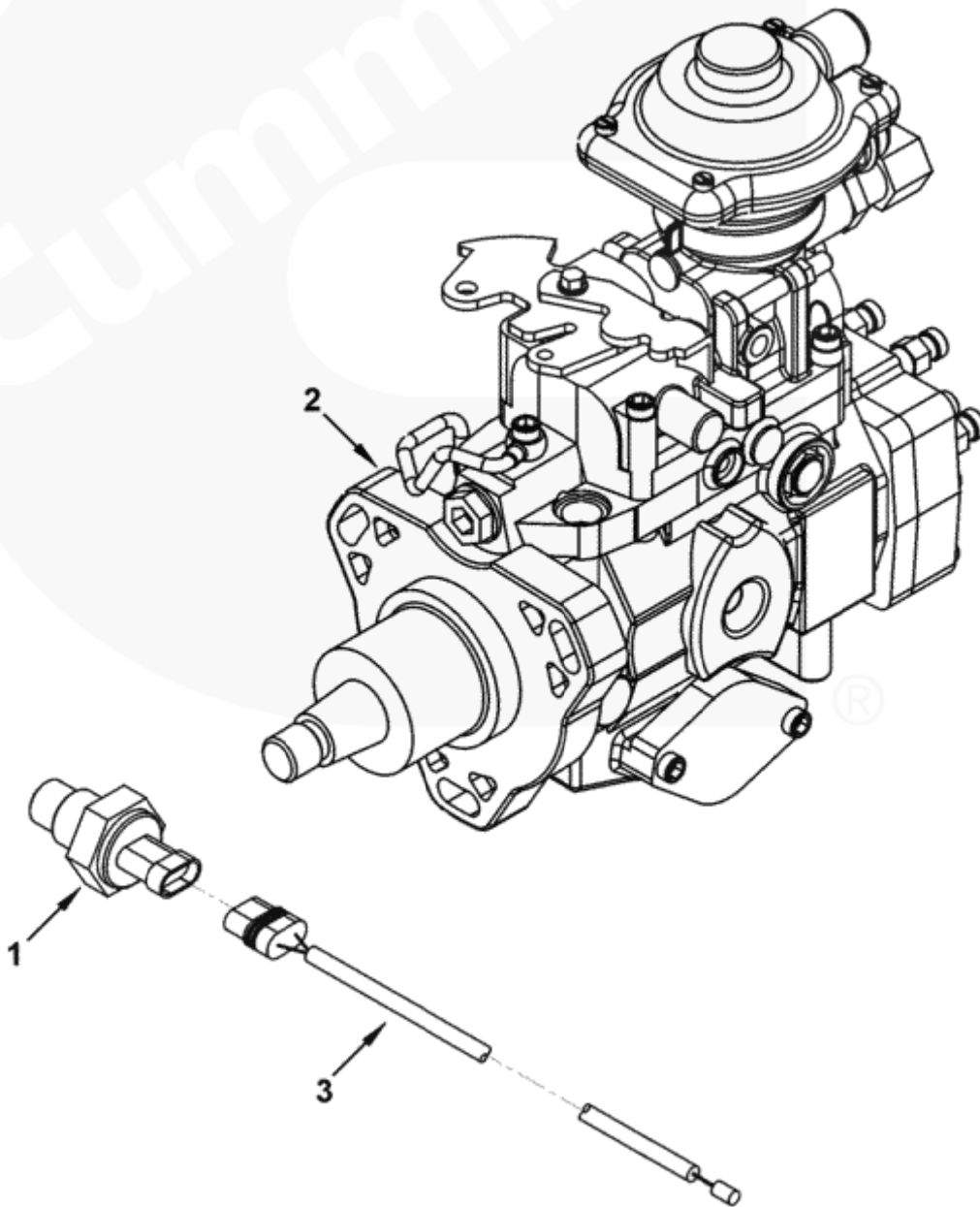


Fig No. 05.21

FUEL INJECTION PUMP

KEY	LEVEL	PART NO.	PART NAME	QTY	S/C	B5-9	REMARK
1	1	5266898	SWITCH,PRESSURE	1		X	
2	1	5292180	PUMP,FUEL INJECTION	1		X	
3	1	3923303	HARNES,WIRING	1		X	

06

FUEL LINES/INJECTORS

- 06.01** INJECTOR

- 06.03-1** FUEL PLUMBING(1)

- 06.03-2** FUEL PLUMBING(2)

- 06.03-3** FUEL PLUMBING(3)

- 06.04** FUEL FILTER

- 06.04-1** FUEL FILTER PLUMBING

- 06.05** FUEL TRANSFER PUMP

FIG NO. 06.01

INJECTOR

©Cummins Inc

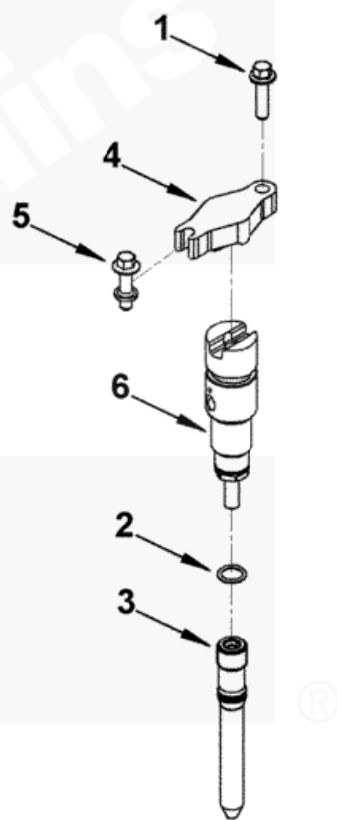


Fig No. 06.01

INJECTOR

K E Y	L E V E L	PART NO.	PART NAME	Q T Y	S / C	B 5 . 9	REMARK
1-A	1	5291989	INJECTOR	1	N	X	incl.1~6
1	2	3902023	SCREW,HEX FLANGE HEAD CAP	6		X	M6X1.00X25
2	2	3882589	SEAL,O RING	6		X	Replace with 3867043
3	2	3944833	CONNECTOR,MALE	6		X	
4	2	3940639	CLAMP,INJECTOR	6		X	
5	2	3940817	SCREW,HEX FLANGE HEAD CAP	6		X	
6	2	5291990	INJECTOR	6		X	

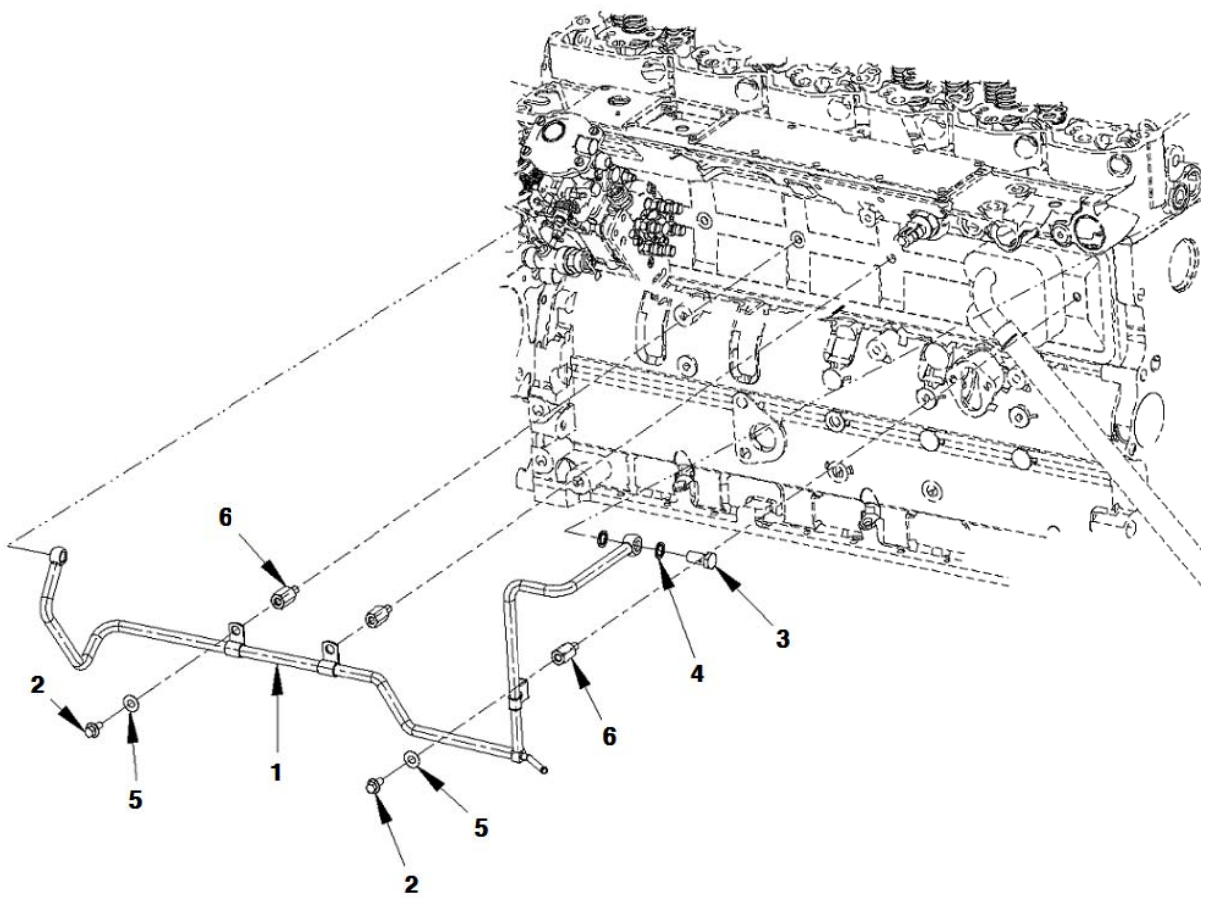


Fig No. 06.03-1 FUEL PLUMBING(1)

K E Y	L E V E L	PART NO.	PART NAME	Q T Y	S / C	B 5 . 9	REMARK
1	1	5269237	TUBE,FUEL DRAIN	1		X	
2	1	3900629	SCREW,HEX FLANGE HEAD CAP	2		X	M8X1.25X16
3	1	3903035	SCREW,BANJO CONNECTOR	1		X	M12X1.50X24
4	1	3918191	WASHER,SEALING	2		X	
5	1	3928759	SEAL,GROMMET	2		X	
6	1	3936236	SPACER,THREADED	3		X	

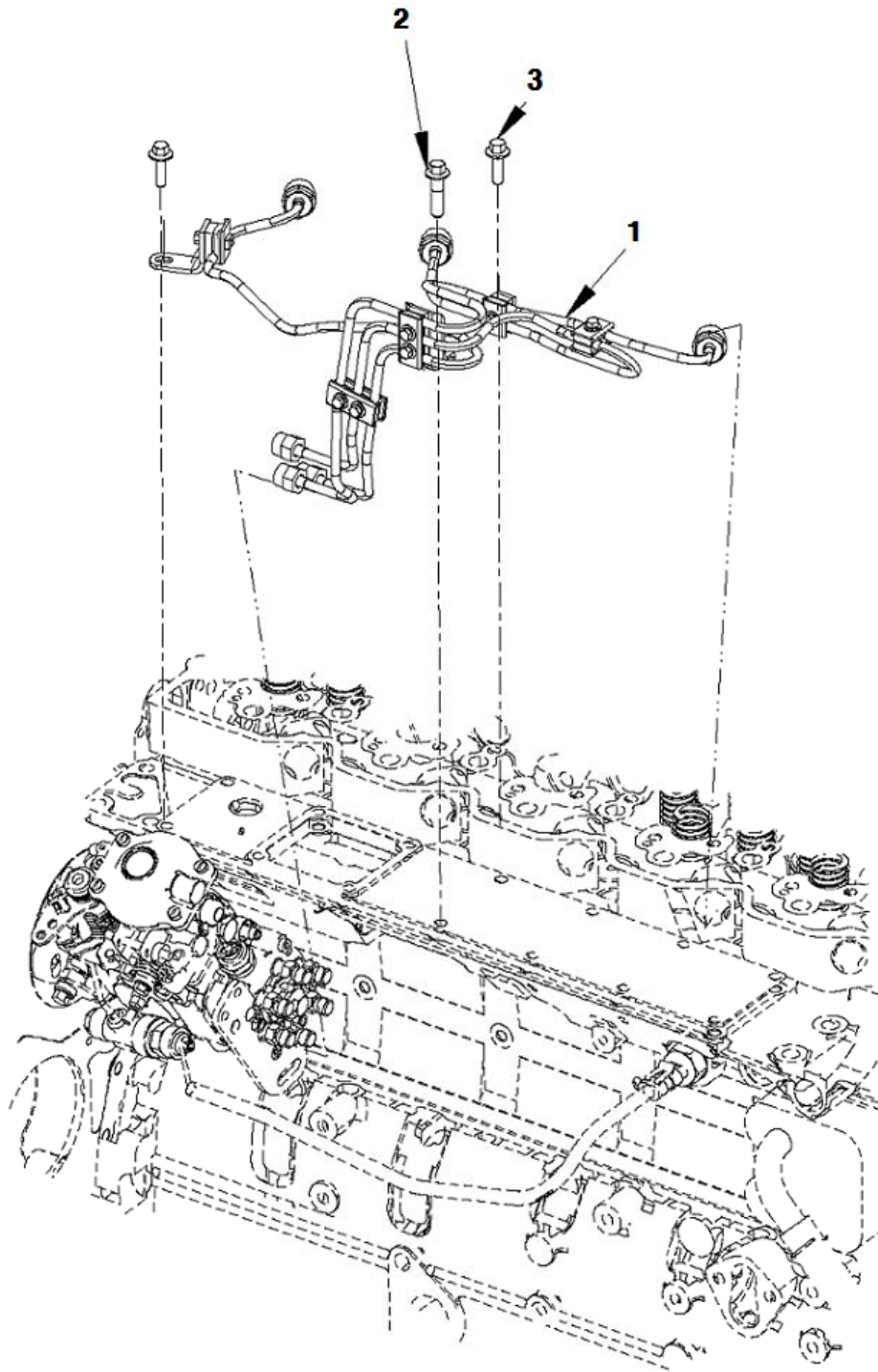


Fig No. 06.03-2 FUEL PLUMBING(2)

KEY	LEVEL	PART NO.	PART NAME	QTY	S/C	B5-9	REMARK
1	1	4093964	TUBE,INJECTOR FUEL SUPPLY	1		X	
2	1	3280899	SCREW,HEX FLANGE HEAD CAP	1		X	
3	1	3918109	SCREW,HEX FLANGE HEAD CAP	2		X	M8X1.25X25

FIG NO. 06.03-3

FUEL PLUMBING(3)

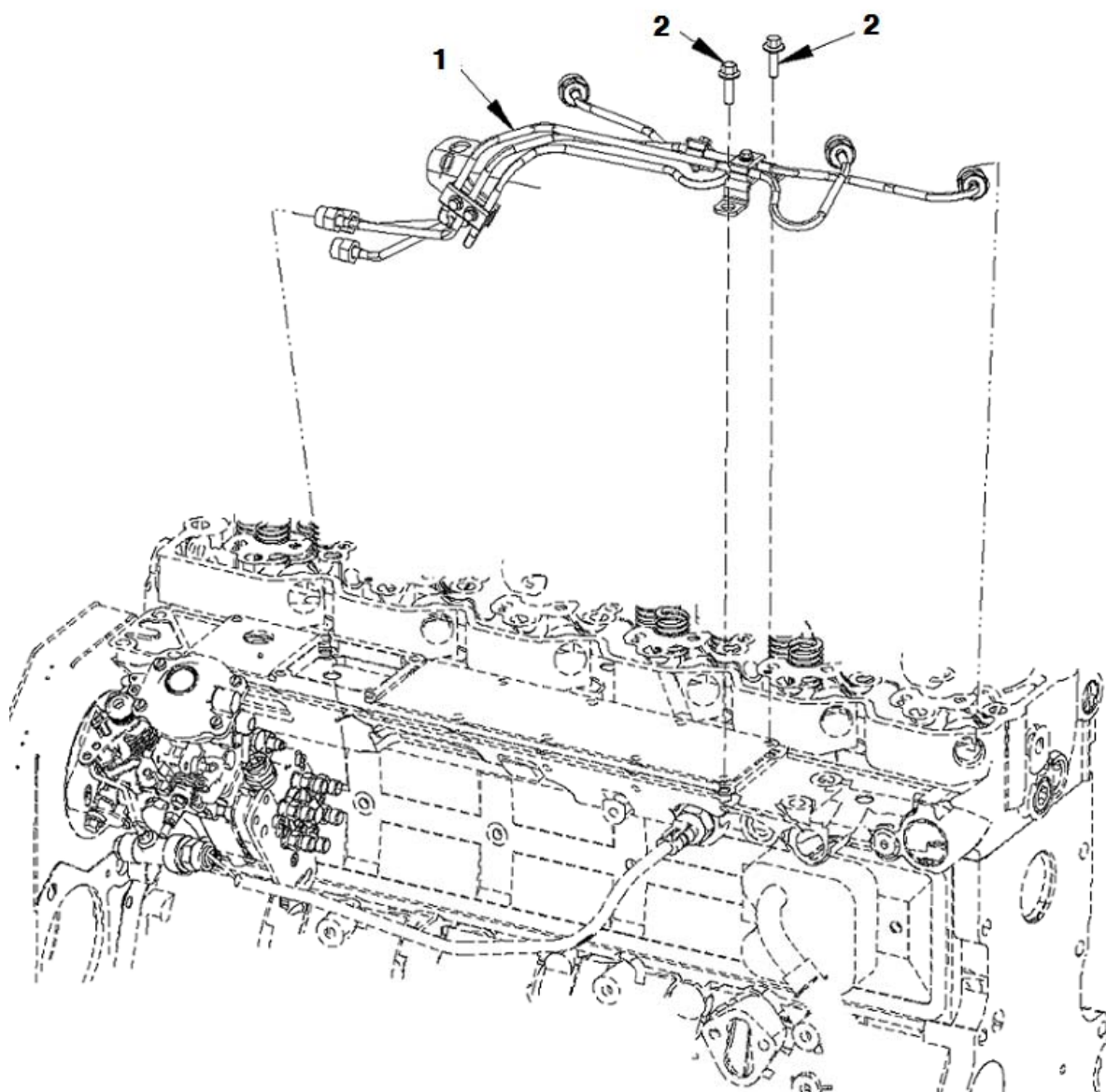


Fig No. 06.03-3 FUEL PLUMBING(3)

KEY	LEVEL	PART NO.	PART NAME	QTY	S/C	B5-9	REMARK
1	1	4093965	TUBE,INJECTOR FUEL SUPPLY	1		X	
2	1	3918109	SCREW,HEX FLANGE HEAD CAP	2		X	M8X1.25X25

©Cummins Inc

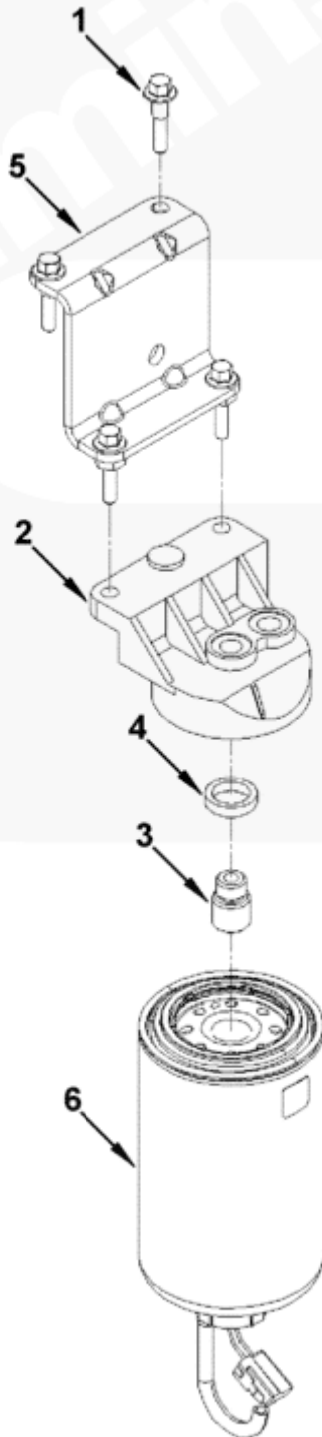


Fig No. 06.04

FUEL FILTER

K E Y	L E V E L	PART NO.	PART NAME	Q T Y	S / C	B 5 . 9	REMARK
1	1	3900632	SCREW,HEX FLANGE HEAD CAP	4		X	M8X1.25X35
2	1	3930969	HEAD,FUEL FILTER	1		X	
3	1	3942453	ADAPTER,FILTER HEAD	1		X	
4	1	4080678	GASKET,FILTER	1		X	
5	1	4093998	BRACKET,FILTER	1		X	
6	1	5292575	FILTER,FUEL	1		X	

©Cummins Inc

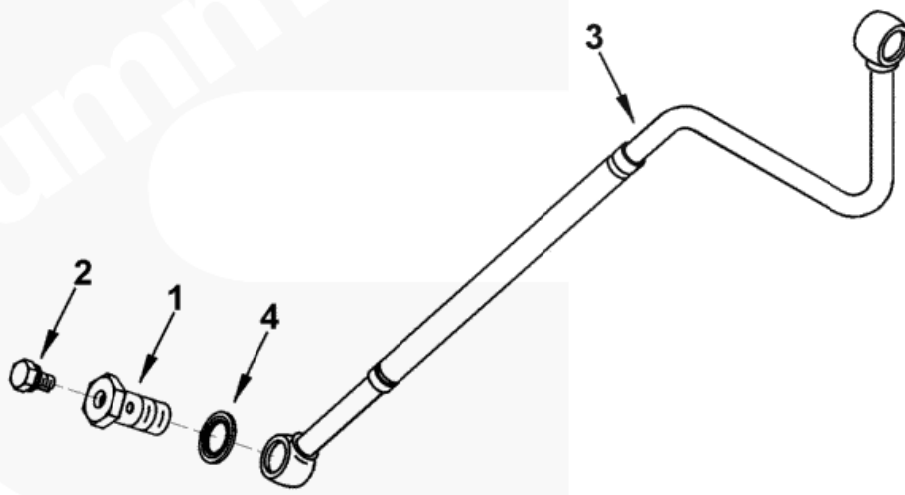


Fig No. 06.04-1 FUEL FILTER PLUMBING

KEY	LEVEL	PART NO.	PART NAME	QTY	S/C	B5-9	REMARK
1-A	1	3905860	SCREW,BANJO CONNECTOR	1		X	incl.1~2
1	2	3911446	SCREW,BANJO CONNECTOR	1		X	M12X1.50X24
2	2	3939570	SCREW,CAPTIVE WASHER CAP	1		X	M6X1.00X10
3	1	5267723	TUBE,FUEL SUPPLY	1		X	
4	1	3918191	WASHER,SEALING	2	N	X	purchase 3935171

FIG NO. 06.05

FUEL TRANSFER PUMP

©Cummins Inc

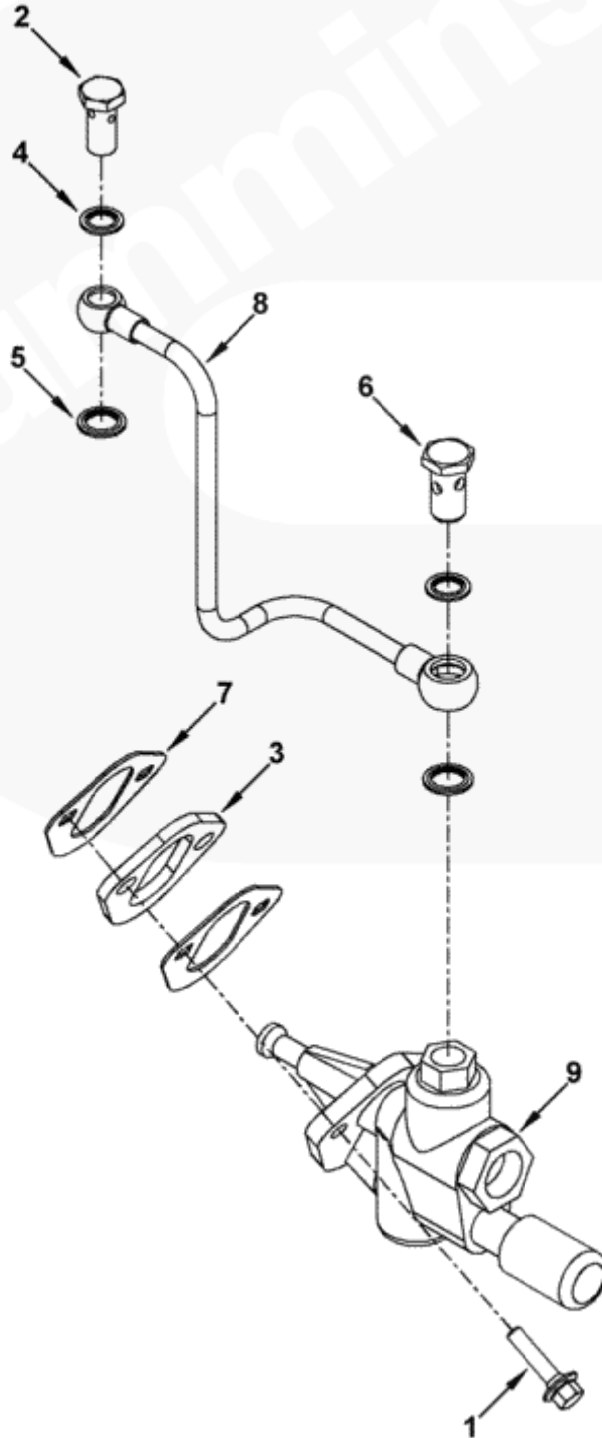


Fig No. 06.05

FUEL TRANSFER PUMP

K E Y	L E V E L	PART NO.	PART NAME	Q T Y	S / C	B 5 . 9	REMARK
1	1	3902114	SCREW,HEX FLANGE HEAD CAP	2		X	M8X1.25X30
2	1	3903035	SCREW,BANJO CONNECTOR	1		X	M12X1.50X24
3	1	3914284	SPACER,MOUNTING	1		X	
4	1	3918191	WASHER,SEALING	2	N	X	purchase 3935171
5	1	3918192	WASHER,SEALING	2		X	
6	1	3924725	SCREW,BANJO CONNECTOR	1		X	M14X1.50X26
7	1	3939258	GASKET,COVER PLATE	2		X	
8	1	4983351	TUBE,FUEL SUPPLY	1		X	
9	1	4093825	PUMP,FUEL TRANSFER	1		X	

07

LUBRICATING SYSTEM

- 07.01** OIL PAN
- 07.01-1** OIL PAN MOUNTING
- 07.02** OIL LEVEL GAUGE
- 07.05** ENGINE OIL COOLER
- 07.06** LUBRICATING OIL PUMP

FIG NO. 07.01

OIL PAN

©Cummins Inc

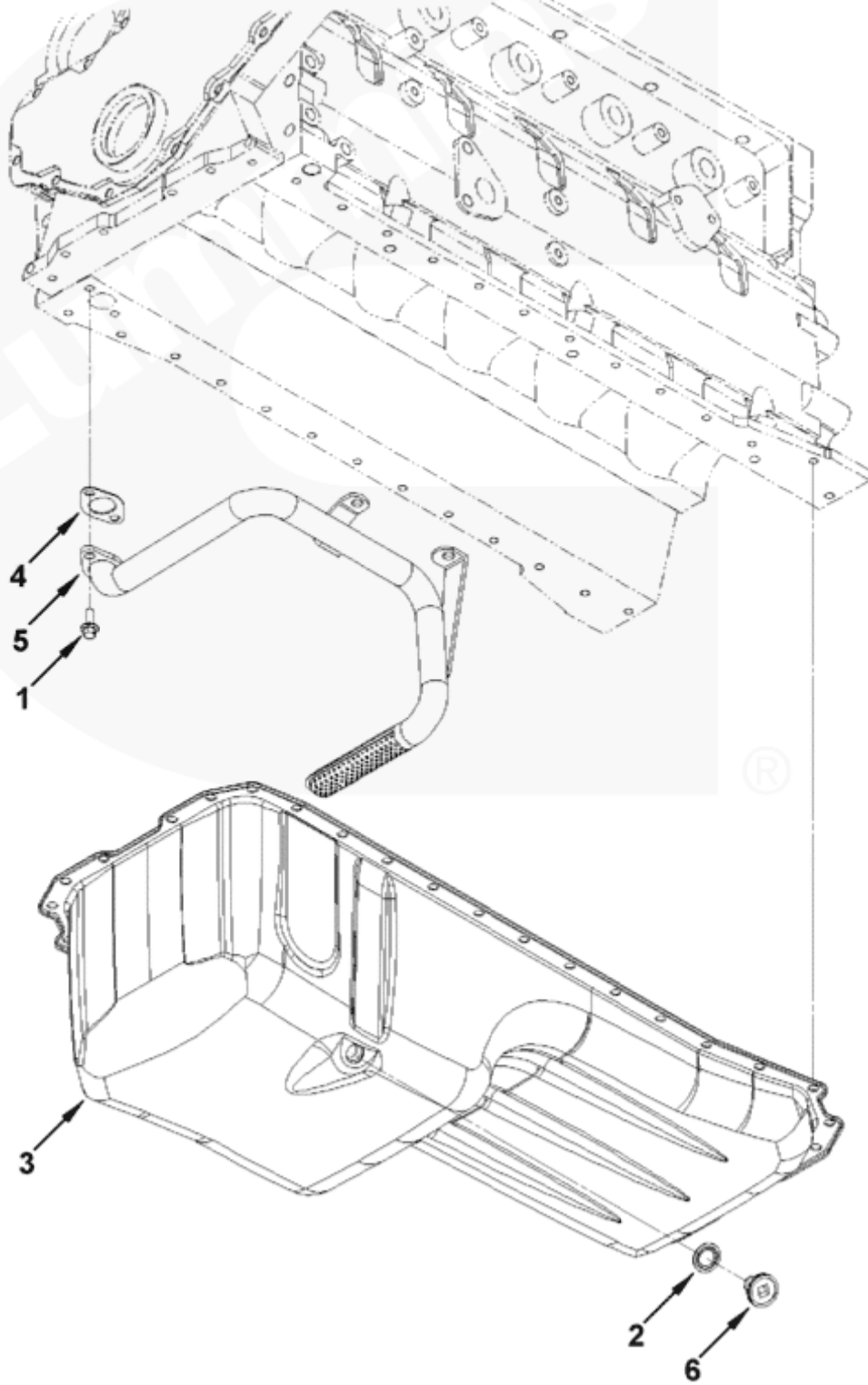
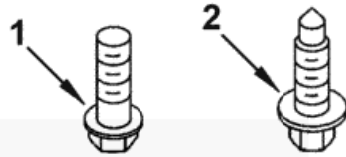
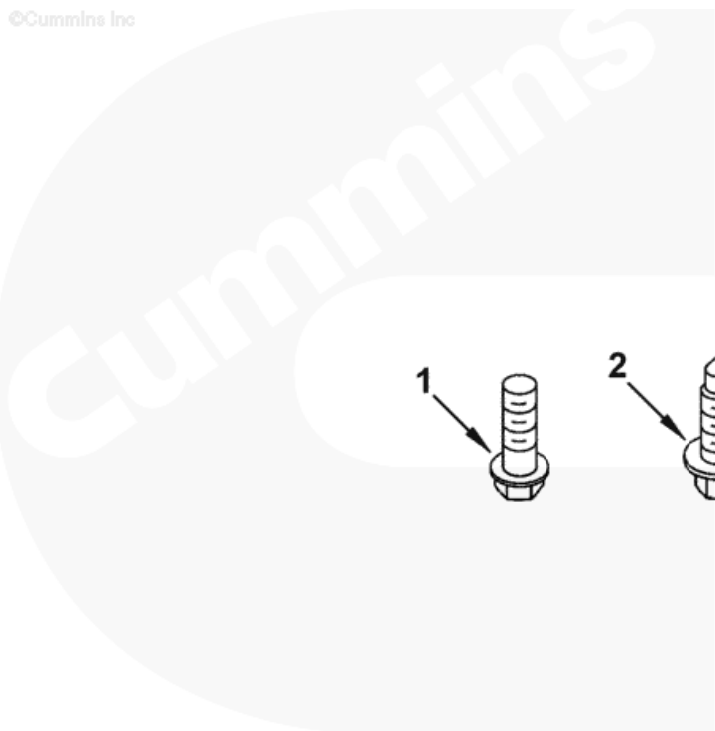


Fig No. 07.01

OIL PAN

KEY	LEVEL	PART NO.	PART NAME	QTY	S/C	B5-9	REMARK
1	1	3900630	SCREW,HEX FLANGE HEAD CAP	2		X	M8X1.25X20
2	1	5265968	WASHER,SEALING	1		X	M16
3	1	3936599	PAN,OIL	1		X	
4	1	3914383	GASKET,FLANGE	1	N	X	Replace With 3938157
5	1	3934942	CONNECTION,OIL SUCTION	1		X	
6	1	3924147	PLUG,THREADED	1		X	M8X1.50X12

©Cummins Inc



®

Fig No. 07.01-1 OIL PAN MOUNTING

KEY	LEVEL	PART NO.	PART NAME	QTY	S/C	B5-9	REMARK
1	1	3900631	SCREW,HEX FLANGE HEAD CAP	2		X	M8X1.25X25
2	1	3907860	SCREW,HEX FLANGE HEAD CAP	36		X	M8X1.25X25

FIG NO. 07.02

OIL LEVEL GAUGE

©Cummins Inc

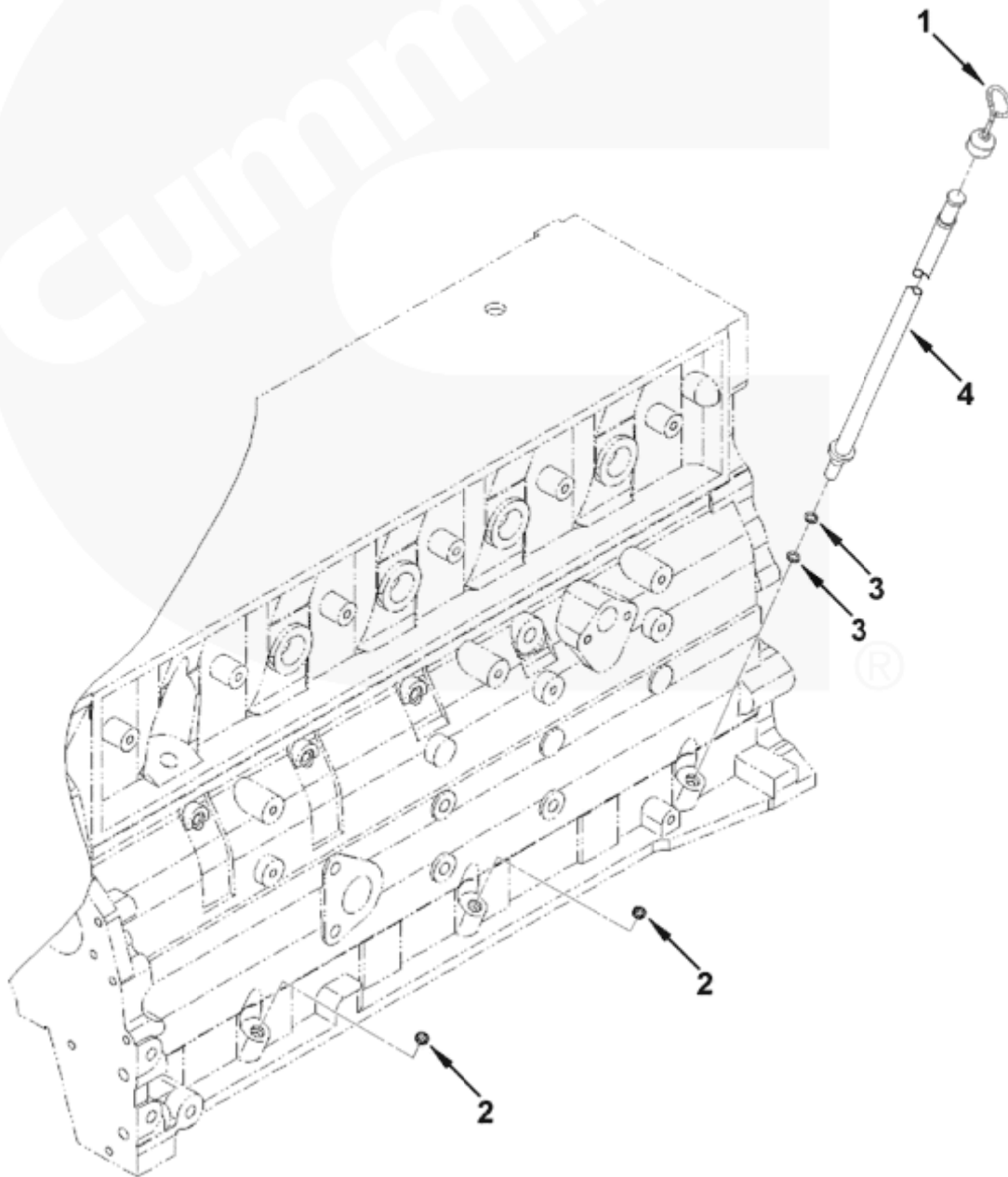


Fig No. 07.02

OIL LEVEL GAUGE

K E Y	L E V E L	PART NO.	PART NAME	Q T Y	S / C	B 5 . 9	REMARK
1	1	4093790	DIPSTICK	1		X	
2	1	3900955	PLUG,EXPANSION	2		X	
3	1	4093793	SEAL,O RING	2		X	
4	1	4093786	TUBE,OIL GAUGE	1		X	
5	1	554013	CLAMP,TUBE	1		X	

©Cummins Inc

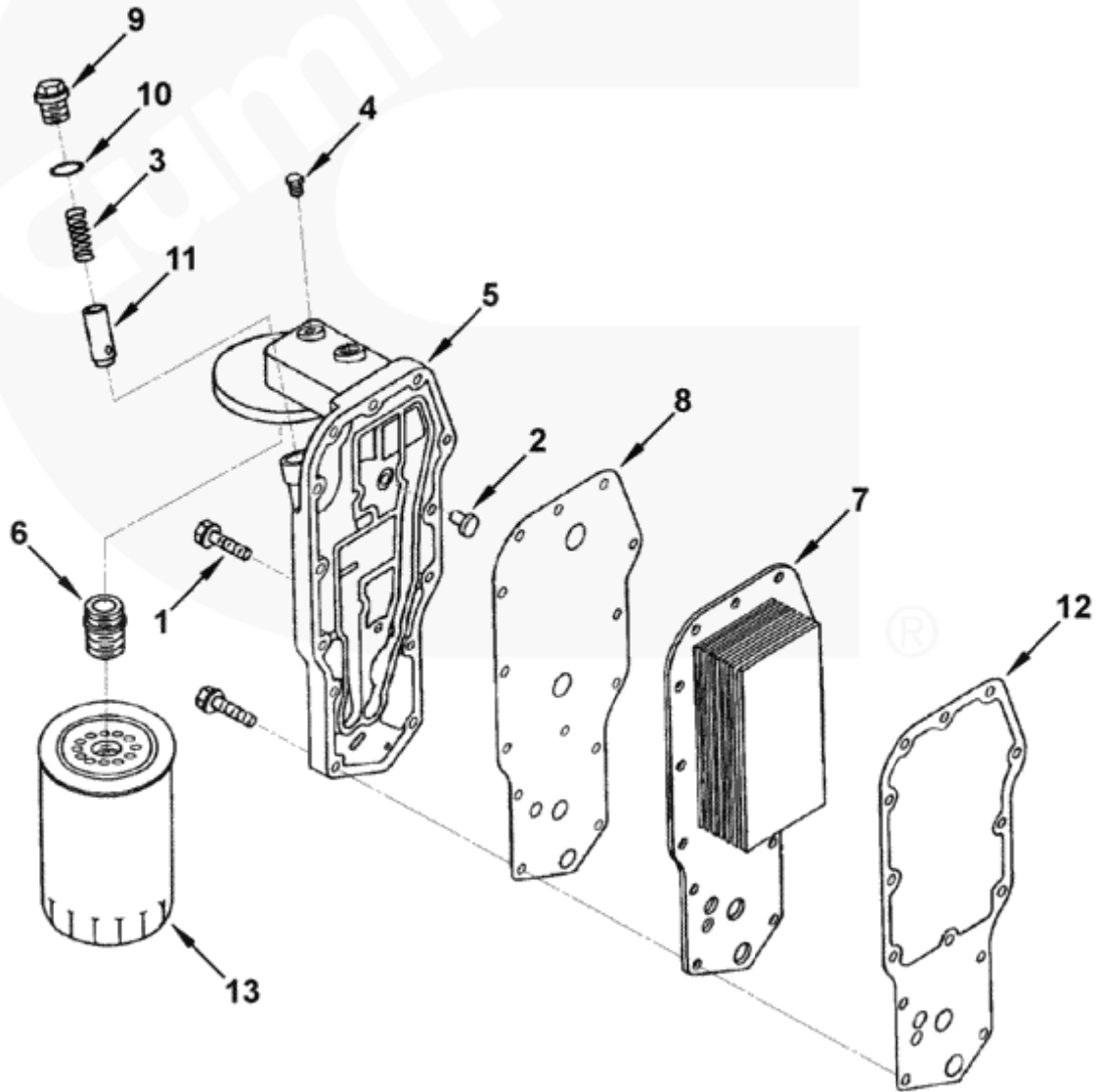


Fig No. 07.05

ENGINE OIL COOLER

K E Y	L E V E L	PART NO.	PART NAME	Q T Y	S / C	B 5 . 9	REMARK
1	1	3900632	SCREW,HEX FLANGE HEAD CAP	14		X	M8X1.25X35
2	1	3936365	VALVE,PRESSURE RELIEF	1		X	
3	1	3925009	SPRING,COMPRESSION	1		X	
4	1	4093857	PLUG,PIPE	1		X	1/8-27 NPTF
1-A	1	3918954	HEAD,LUB OIL FILTER	1		X	incl.5~6
5	2	3924338	HEAD,LUB OIL FILTER	1	N	X	serviced as [1-A]
6	2	3909355	ADAPTER,FILTER HEAD	1		X	
7	1	3921558	CORE,COOLER	1		X	
8	1	3929792	GASKET,FILTER HEAD	1		X	
9	1	5273979	PLUG,THREADED	1		X	M22X1.5
10	1	3929457	SEAL,O RING	1		X	
11	1	3918428	PLUNGER,PRS REGULATOR	1		X	
12	1	3918256	GASKET,OIL COOLER CORE	1	N	X	
13	1	5285612	CARTRIDGE,LUB OIL FILTER	1		X	

FIG NO. 07.06

LUBRICATING OIL PUMP

©Cummins Inc

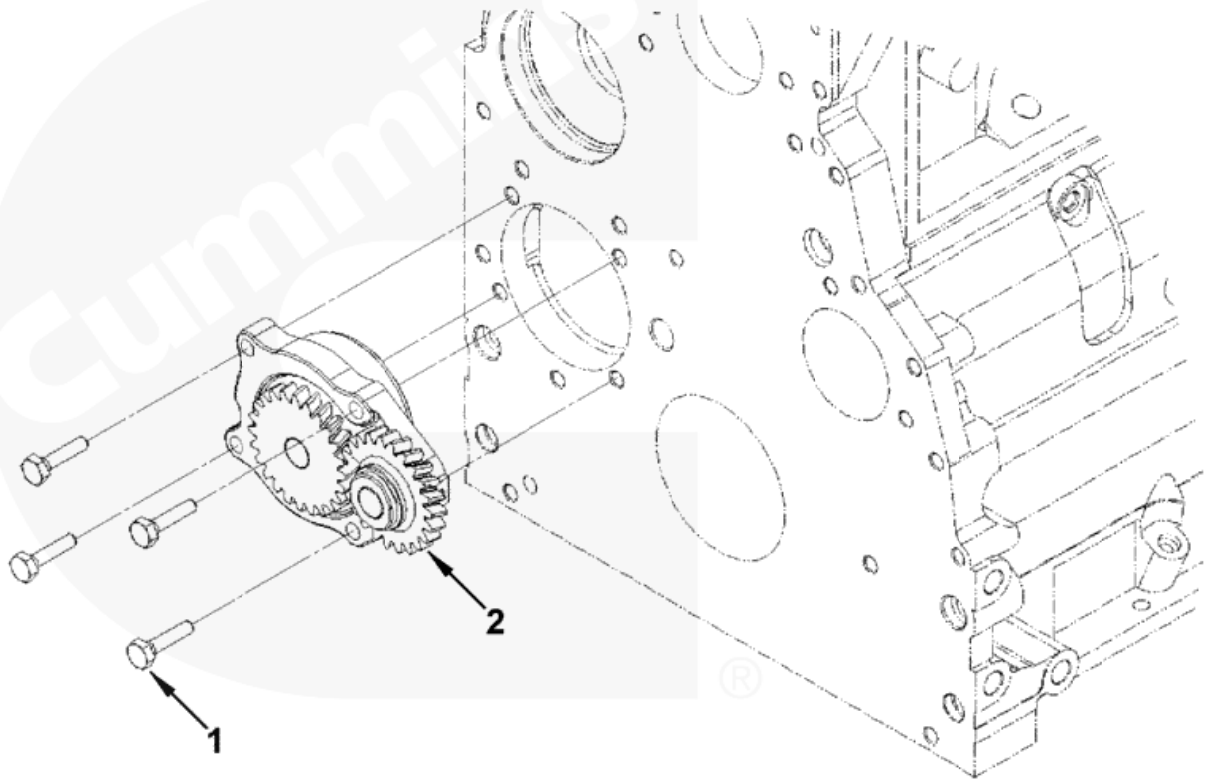


Fig No. 07.06

LUBRICATING OIL PUMP

KEY	LEVEL	PART NO.	PART NAME	QTY	S/C	B5-9	REMARK
1	1	3900677	SCREW,HEXAGON HEAD CAP	4		X	M8X1.25X30
2	1	4939587	PUMP,LUBRICATING OIL	1		X	

08

COOLING SYSTEM

- 08.01** WATER PUMP
- 08.03** FAN DRIVE
- 08.03-1** FAN DRIVE MOUNTING
- 08.07** THERMOSTAT
- 08.07-1A** ENGINE COOLANT VENT
- 08.07-1B** WATER INLET CONNECTION
- 08.07-1C** WATER OUTLET CONNECTION
- 08.09** TORQUE CONVERTER OIL COOLER

FIG NO. 08.01

WATER PUMP

©Cummins Inc

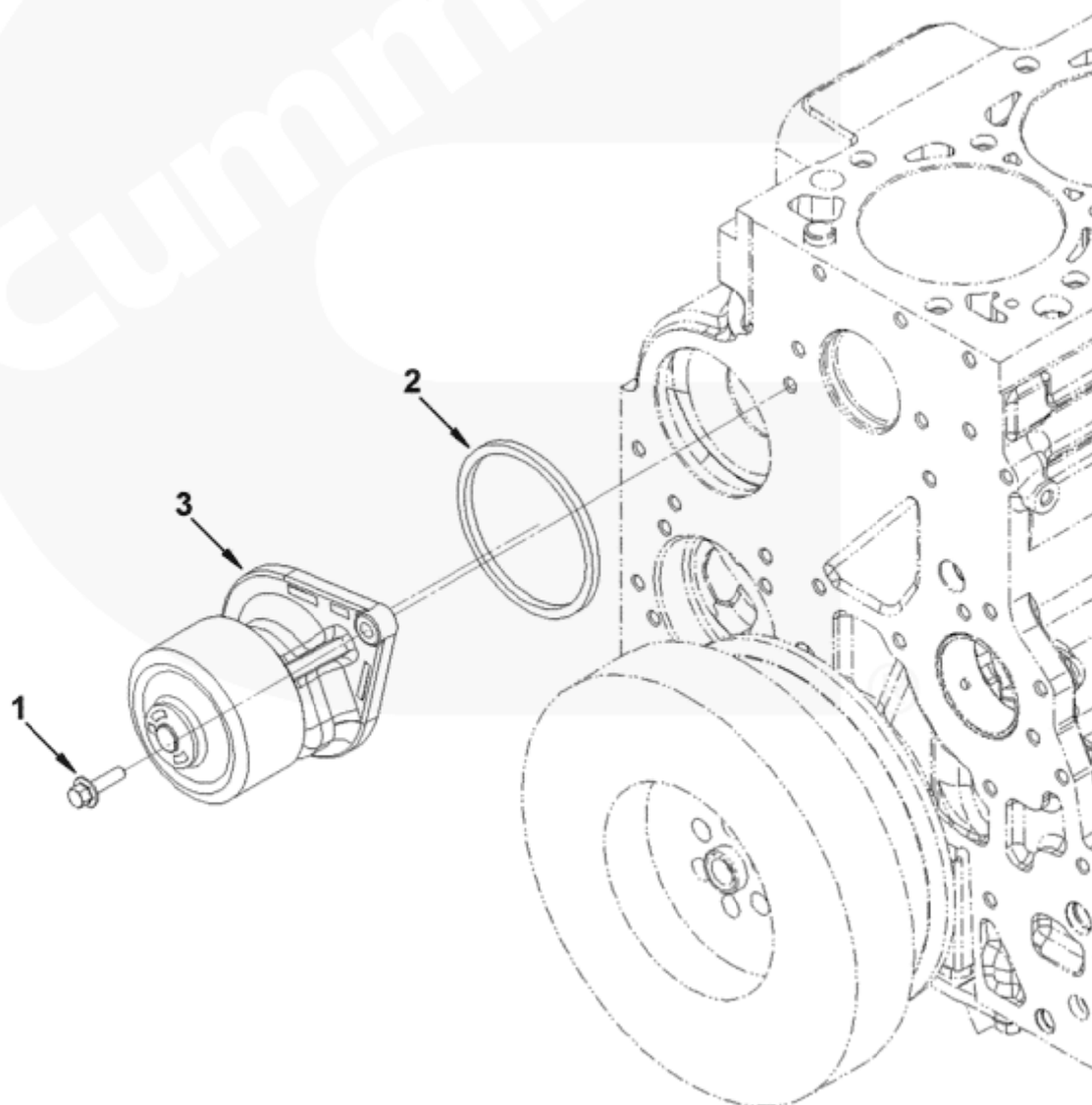
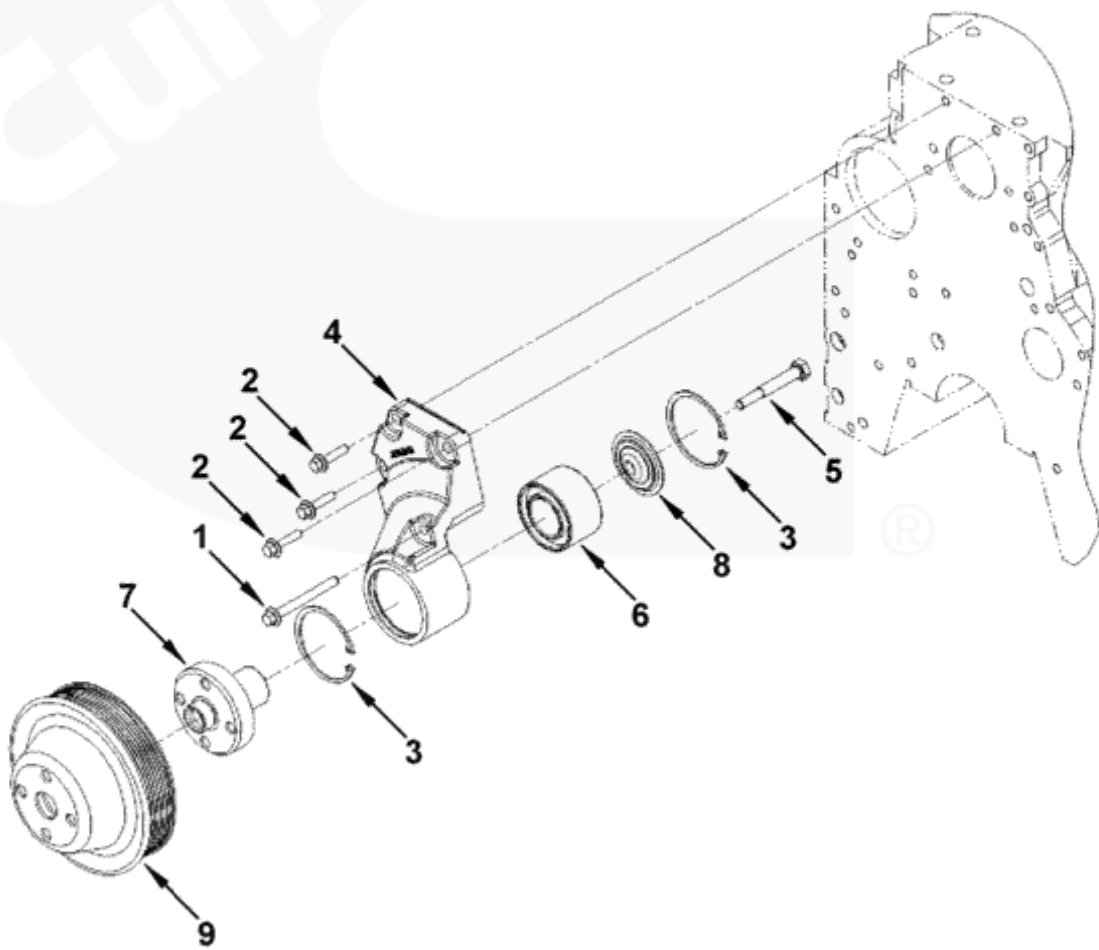


Fig No. 08.01

WATER PUMP

K E Y	L E V E L	PART NO.	PART NAME	Q T Y	S / C	B 5 . 9	REMARK
1	1	3900227	SCREW,HEX FLANGE HEAD CAP	2		X	M8X1.25X22
2	1	3903297	SEAL,O RING	1		X	
3	1	5260263	PUMP,WATER	1		X	serviced as [S-1]
S-1	0	2881804	KIT,WATER PUMP	1		X	Recon Equivalent 2881804NX

©Cummins Inc



K E Y	L E V E L	PART NO.	PART NAME	Q T Y	S / C	B 5 . 9	REMARK
1	1	3900633	SCREW,HEX FLANGE HEAD CAP	1		X	M8X1.25X50
2	1	3902114	SCREW,HEX FLANGE HEAD CAP	3		X	M8X1.25X30
1-A	1	4981215	SUPPORT,FAN	1		X	INCL.3~8
3	2	3035960	RING,RETAINING	2		X	
4	2	4981629	SUPPORT,FAN	1	N	X	serviced as [1-A]
5	2	3907769	SCREW,HEXAGON HEAD CAP	1		X	M10X1.75X70
6	2	3910739	BEARING,BALL	1		X	
7	2	5272335	HUB,FAN	1		X	
8	2	3923044	RETAINER,FAN HUB	1		X	
9	1	3935363	PULLEY,FAN	1		X	

FIG NO. 08.03-1

FAN DRIVE MOUNTING

©Cummins Inc

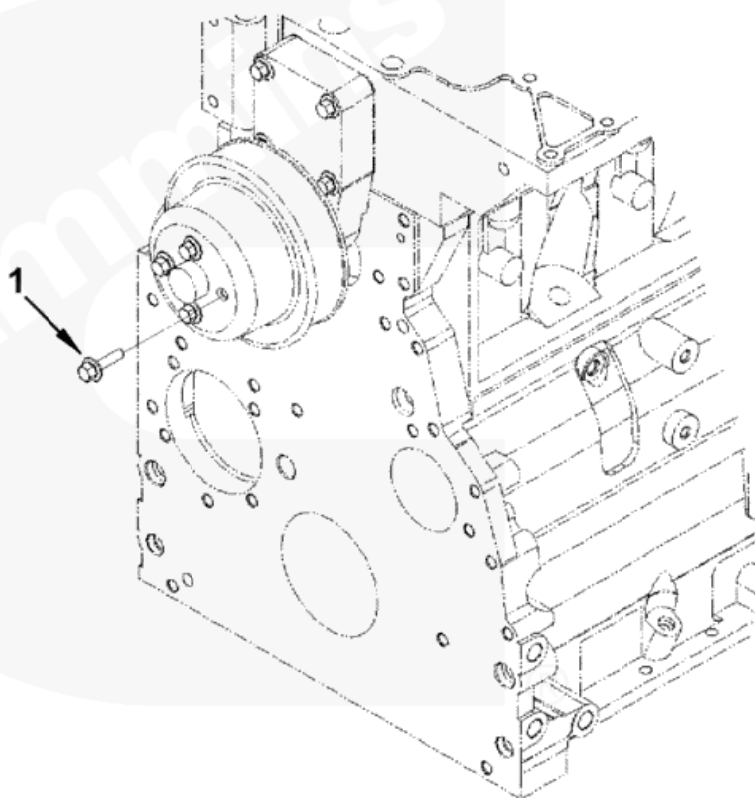


Fig No. 08.03-1 FAN DRIVE MOUNTING

KEY	LEVEL	PART NO.	PART NAME	QTY	S/C	B5-9	REMARK
1	1	3903990	SCREW,HEX FLANGE HEAD CAP	4		X	M10X1.50X20

©Cummins Inc

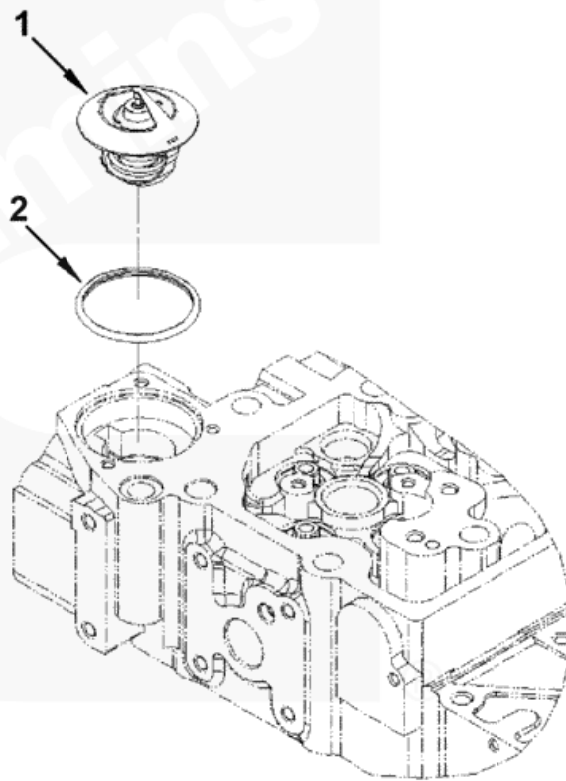


Fig No. 08.07

THERMOSTAT

KEY	LEVEL	PART NO.	PART NAME	QTY	S/C	B5-9	REMARK
1-A	1	5271639	THERMOSTAT	1		X	INCL.1~2
1	2	5270697	THERMOSTAT	1		X	
2	2	5305870	SEAL,THERMOSTAT	1		X	

FIG NO. 08.07-1A

ENGINE COOLANT VENT

©Cummins Inc

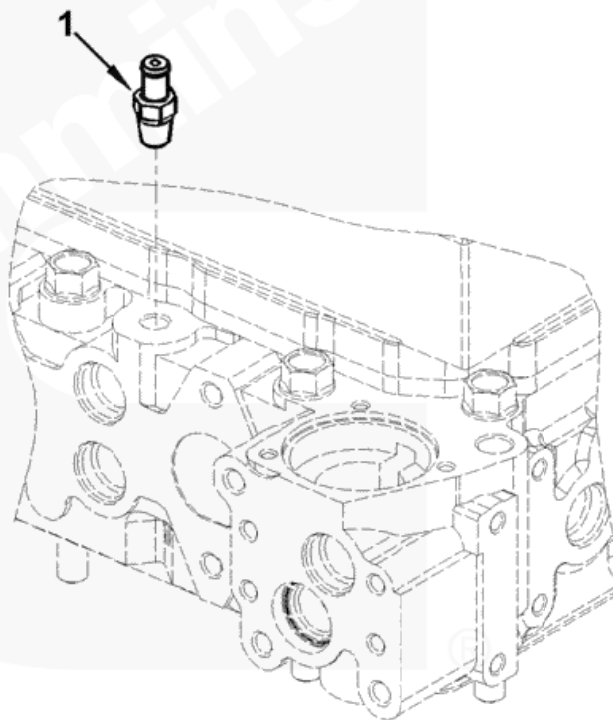


Fig No. 08.07-1A ENGINE COOLANT VENT

KEY	LEVEL	PART NO.	PART NAME	QTY	S/C	B5-9	REMARK
1	1	3943670	FITTING,ORIFICE	1		X	

FIG NO. 08.07-1B

WATER INLET CONNECTION

©Cummins Inc

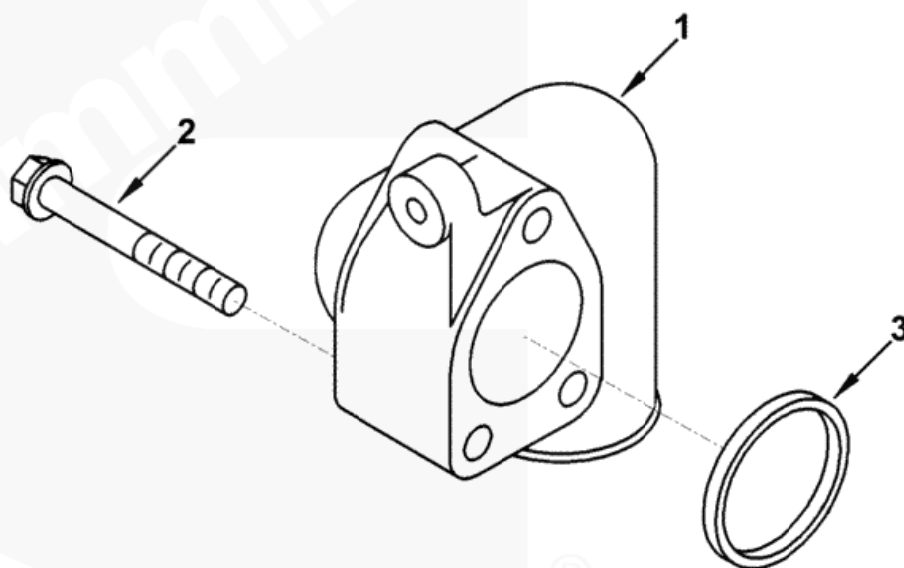


Fig No. 08.07-1B WATER INLET CONNECTION

KEY	LEVEL	PART NO.	PART NAME	QTY	S/C	B5-9	REMARK
1	1	3354866	CONNECTION,WATER INLET	1		X	
2	1	3901448	SCREW,HEX FLANGE HEAD CAP	3		X	M10X1.50X65
3	1	3906697	SEAL,RECTANGULAR RING	1		X	

FIG NO. 08.07-1C

WATER OUTLET CONNECTION

©Cummins Inc

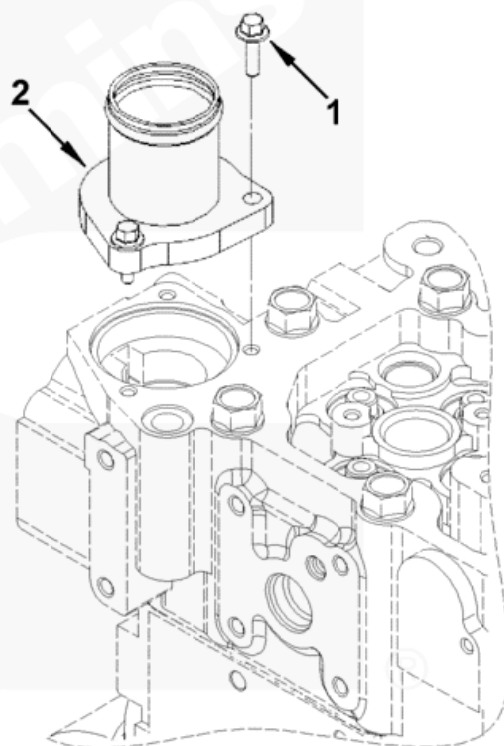


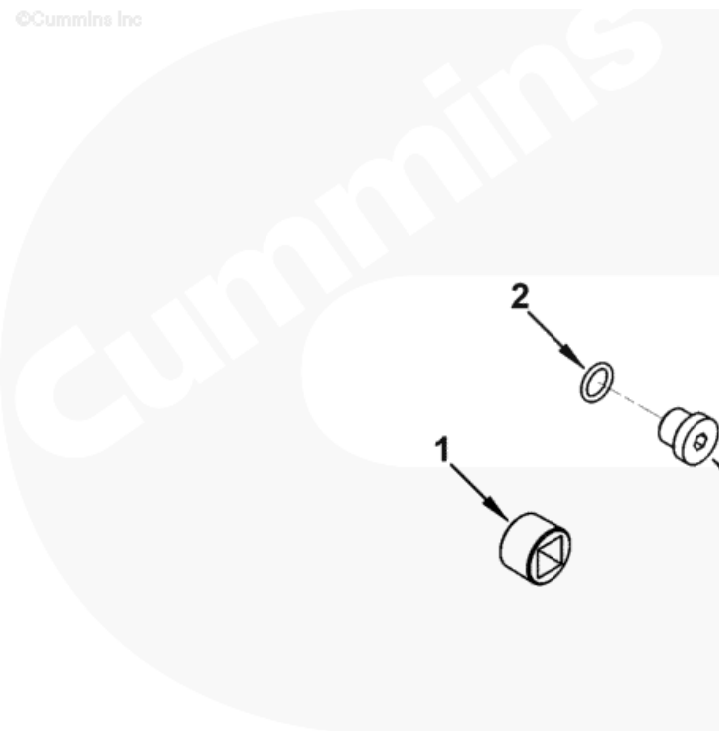
Fig No. 08.07-1C WATER OUTLET CONNECTION

KEY	LEVEL	PART NO.	PART NAME	QTY	S/C	B5-9	REMARK
1	1	3901865	SCREW,HEX FLANGE HEAD CAP	3		X	M6X1.00X20
2	1	5272656	CONNECTION,WATER OUTLET	1		X	

FIG NO. 08.09

TORQUE CONVERTER OIL COOLER

©Cummins Inc



®

Fig No. 08.09

TORQUE CONVERTER OIL COOLER

KEY	LEVEL	PART NO.	PART NAME	QTY	S/C	B5-9	REMARK
1	1	3936642	PLUG,PIPE	1		X	
1-A	1	3089238	PLUG,THREADED	1		X	M22X1.50X20
2	2	3089240	SEAL,O RING	1		X	M22
3	2	3089239	PLUG,THREADED	1		X	

09

DRIVE UNITS

09.01

FUEL PUMP COUPLING

FIG NO. 09.01

FUEL PUMP COUPLING

©Cummins Inc

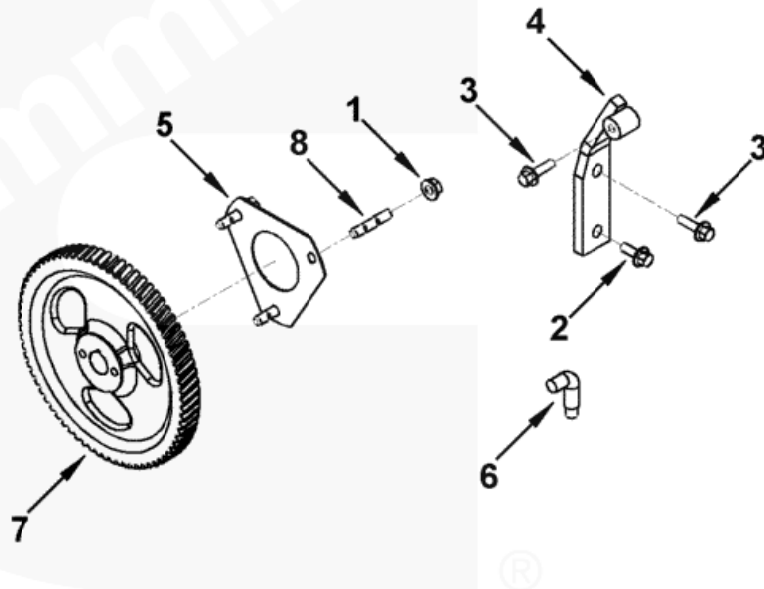


Fig No. 09.01

FUEL PUMP COUPLING

K E Y	L E V E L	PART NO.	PART NAME	Q T Y	S / C	B 5 . 9	REMARK
1	1	3900589	NUT,HEXAGON FLANGE	3		X	M8X1.25
2	1	3900630	SCREW,HEX FLANGE HEAD CAP	1		X	M8X1.25X20
3	1	3902114	SCREW,HEX FLANGE HEAD CAP	2		X	M8X1.25X30
4	1	3905313	BRACE,FUEL PUMP	1		X	
5	1	3914389	GASKET,FUEL PUMP	1		X	
6	1	4990173	ELBOW,MALE ADAPTER	1		X	
7	1	4932713	GEAR,FUEL PUMP	1		X	
8	1	4946176	STUD,DOUBLE END PLAIN	3		X	

10

INTAKE SYSTEM

- 10.01-2A** AIR INTAKE CONNECTION
- 10.01-2B** TURBO COMPR OUTLET CONNECTION
- 10.01-2C** AIR INTAKE MANIFOLD
- 10.01-2D** AIR INTAKE CONNECTION
- 10.02** AIR INTAKE HEATER
- 10.05** TURBOCHARGER
- 10.06** TURBOCHARGER
- 10.06-1** EXHAUST MANIFOLD
- 10.06-2** TURBOCHARGER PLUMBING

FIG NO. 10.01-2A

AIR INTAKE CONNECTION

©Cummins Inc

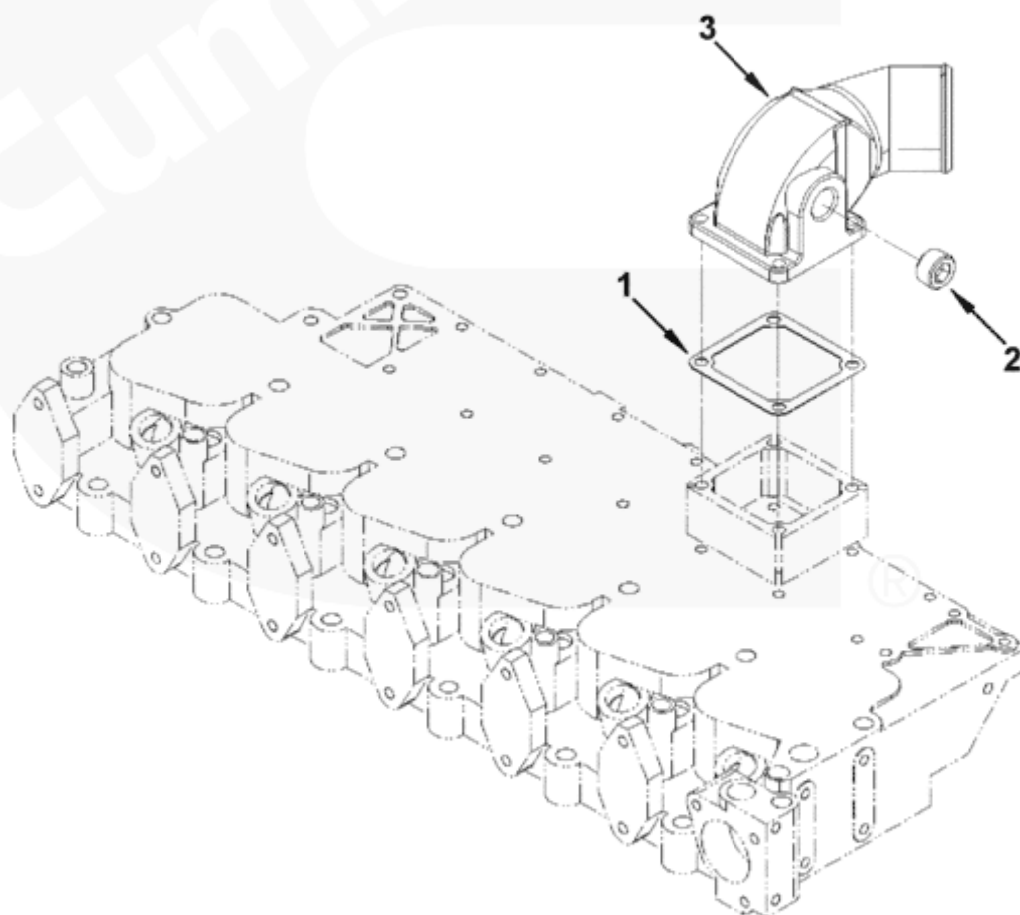


Fig No. 10.01-2A AIR INTAKE CONNECTION

KEY	LEVEL	PART NO.	PART NAME	QTY	S/C	B5-9	REMARK
1	1	3913352	GASKET,CONNECTION	1		X	
2	1	3936642	PLUG,PIPE	1		X	
3	1	4093948	CONNECTION,AIR INTAKE	1		X	

FIG NO. 10.01-2B

TURBO COMPR OUTLET CONNECTION

©Cummins Inc

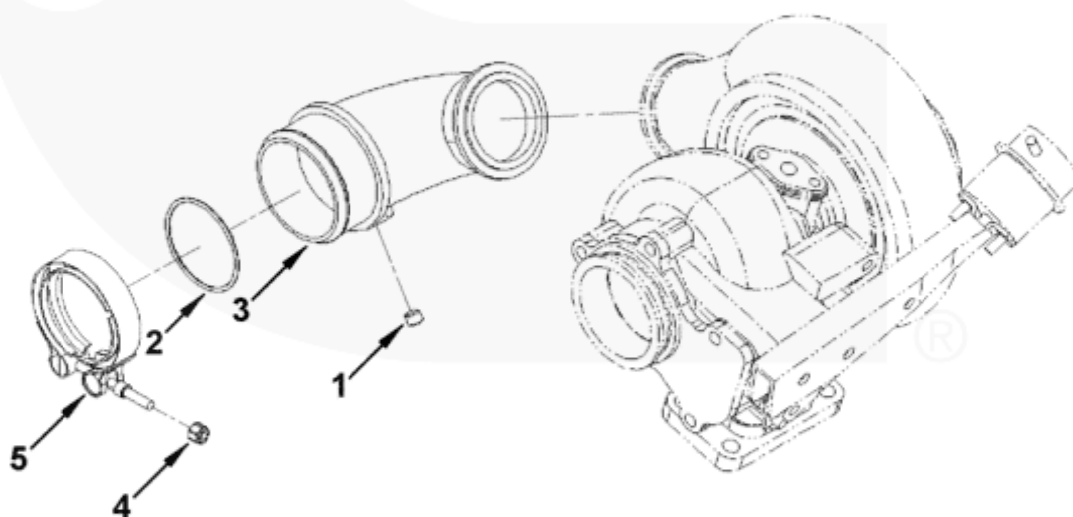


Fig No. 10.01-2B TURBO COMPR OUTLET CONNECTION

KEY	LEVEL	PART NO.	PART NAME	QTY	S/C	B5-9	REMARK
1	1	3008465	PLUG,PIPE	1		X	1/8 NPT
2	1	3883284	SEAL,O RING	1		X	
3	1	3918685	PIPE,AIR TRANSFER	1		X	
4	1	3923041	NUT,LOCK	1		X	1/4-28 THREAD
5	1	3923060	CLAMP,V BAND	1		X	

FIG NO. 10.01-2C

AIR INTAKE MANIFOLD

©Cummins Inc

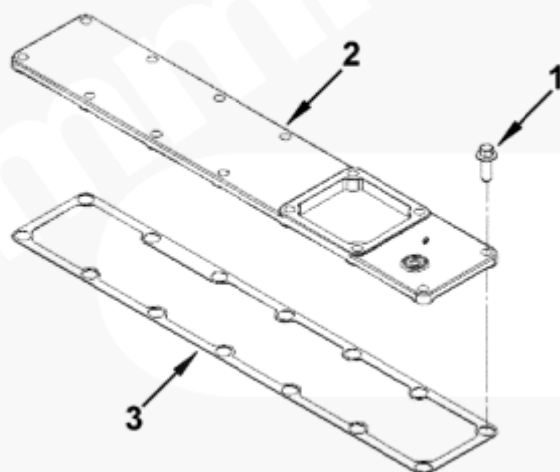


Fig No. 10.01-2C AIR INTAKE MANIFOLD

KEY	LEVEL	PART NO.	PART NAME	QTY	S/C	B5-9	REMARK
1	1	3918109	SCREW,HEX FLANGE HEAD CAP	3		X	M8X1.25X25
2	1	4990696	COVER,INTAKE MANIFOLD	1		X	
3	1	3938152	GASKET,INT MANIFOLD COVER	1		X	

FIG NO. 10.01-2D

AIR INTAKE CONNECTION

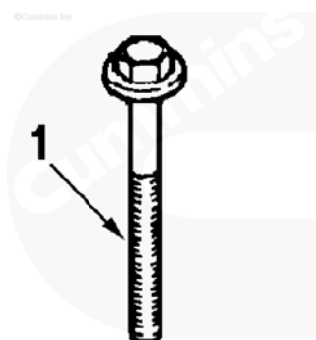


Fig No. 10.01-2D AIR INTAKE CONNECTION

KEY	LEVEL	PART NO.	PART NAME	QTY	S/C	B5-9	REMARK
1	1	3919864	SCREW,HEX FLANGE HEAD CAP	4		X	

FIG NO. 10.02

AIR INTAKE HEATER

©Cummins Inc

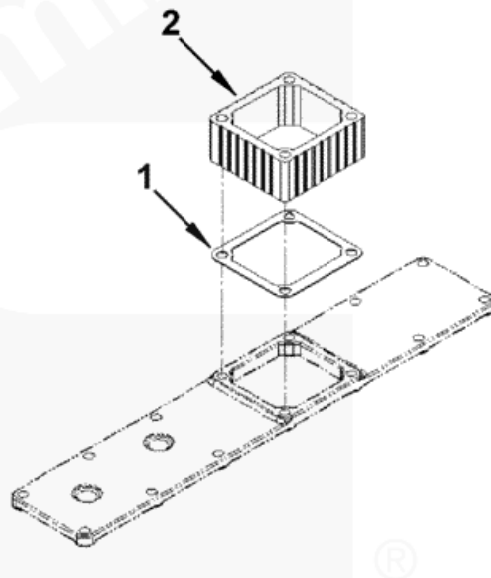


Fig No. 10.02

AIR INTAKE HEATER

KEY	LEVEL	PART NO.	PART NAME	QTY	S/C	B5-9	REMARK
1	1	3938158	GASKET,CONNECTION	1		X	Replace With 3969988
2	1	3922484	CONNECTION,SPACER	1		X	

©Cummins Inc

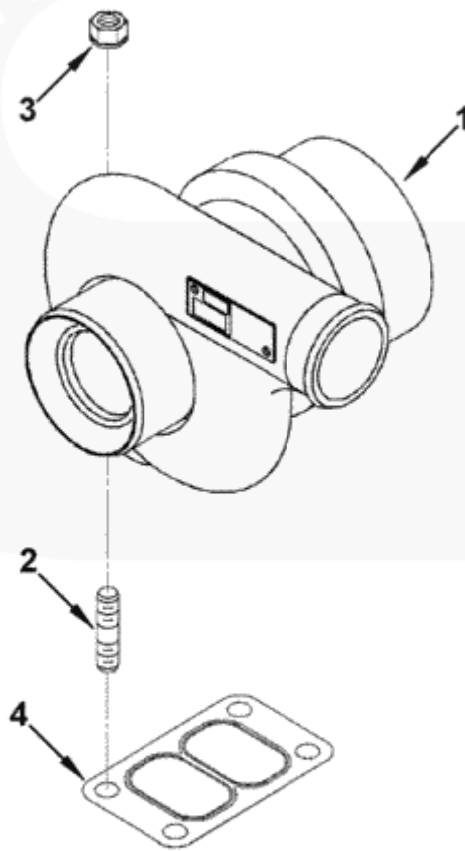


Fig No. 10.05

TURBOCHARGER

K E Y	L E V E L	PART NO.	PART NAME	Q T Y	S / C	B 5 . 9	REMARK
1-A	1	3778587	TURBOCHARGER	1	N	X	incl.1
1	2	3778585	TURBOCHARGER	1	N	X	
2	1	3818823	STUD	4		X	M10X1.5-6G BOTH ENDS
3	1	3818824	NUT,HEXAGON FLANGE	4		X	M10X1.50
4	1	3901356	GASKET,TURBOCHARGER	1		X	

©Cummins Inc

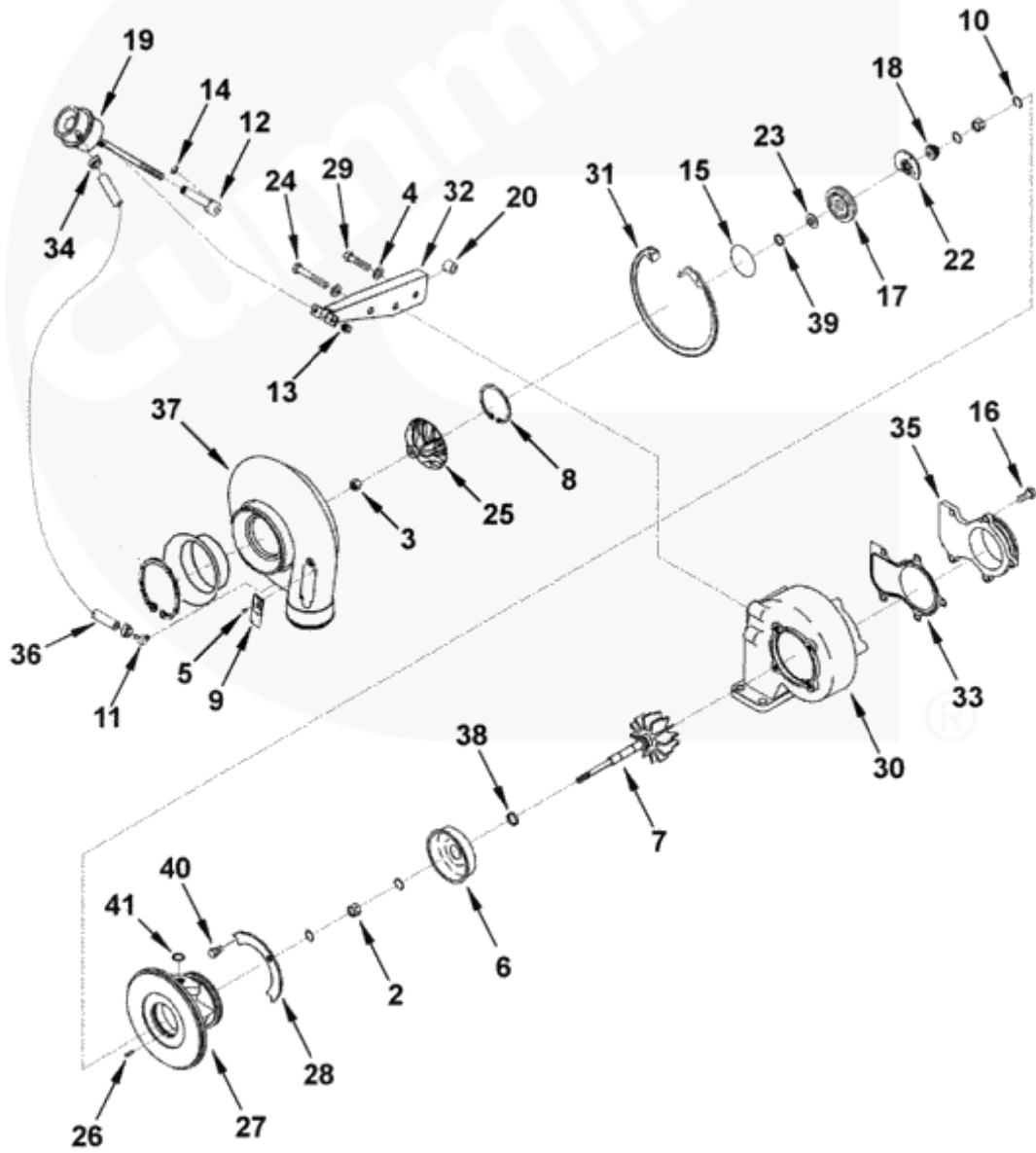


Fig No. 10.06

TURBOCHARGER

K E Y	L E V E L	PART NO.	PART NAME	Q T Y	S / C	B 5 - 9	REMARK
1-A	1	3778587	TURBOCHARGER	1	N	X	
2-A	2	3778585	TURBOCHARGER	1	N	X	
2	3	3503100	BEARING,TURBOCHARGER	2		X	
3	3	3596402	NUT,LOCK	1		X	
4	3	3504967	WASHER,PLAIN	2		X	
5	3	3519163	SCREW,DRIVE	2		X	
6	3	3519302	SHIELD,TURBOCHARGER HEAT	1		X	
7	3	3595832	SHAFT & WHEEL	1	N	X	
8	3	3527566	RING,RETAINING	1		X	
9	3	3527619	DATAPLATE	1	N	X	
10	3	3762259	RING,RETAINING	4		X	
11	3	3528121	COUPLING,ELBOW HOSE	1	N	X	
12	3	3528177	END,ADJUSTING LINK	1	N	X	
13	3	3592050	NUT,HEXAGON FLANGE	2		X	
14	3	3528221	RING,RETAINING	1		X	
15	3	3528933	SEAL,O RING	1		X	
16	3	2840364	SCREW,HEXAGON HEAD SET	5		X	
17	3	3596448	PLATE,OIL SEAL	1	N	X	
18	3	3597783	SLINGER,OIL	1	N	X	
19	3	4040147	ACTUATOR,TURBOCHARGER	1	N	X	
20	3	3532195	SPACER,MOUNTING	2		X	
22	3	3595651	BEARING,TUR THRUST	1		X	
23	3	3532217	COLLAR,THRUST	1		X	
24	3	3596812	SCREW,HEX FLANGE HEAD CAP	2	N	X	
25	3	3599649	IMPELLER,TUR COMPRESSOR	1	N	X	
26	3	3522597	PIN,ROLL	1		X	
27	3	3599514	HOUSING,TUR BEARING	1	N	X	
28	3	2839879	PLATE,CLAMPING	2		X	
29	3	3534291	SCREW,HEXAGON HEAD SET	1		X	
30	3	3532299	HOUSING,TURBINE	1		X	
31	3	3533163	RING,RETAINING	1		X	
32	3	3593567	BRACKET,ACTUATOR	1	N	X	
33	3	3535001	GASKET,ADAPTER	1		X	
34	3	3535215	CLAMP,HOSE	2		X	
35	3	3527759	CONNECTION,ADAPTER	1		X	
36	3	4048752	HOSE,PLAIN	1		X	
37	3	3537732	HOUSING,COMPRESSOR	1	N	X	
38	3	3536143	SEAL,SPLIT RING	2	N	X	
39	3	3758848	SEAL,SPLIT RING	1		X	
40	3	2840781	SCREW,HEXAGON HEAD SET	4		X	
41	3	3523275	SEAL,O RING	1	N	X	

FIG NO. 10.06-1

EXHAUST MANIFOLD

©Cummins Inc

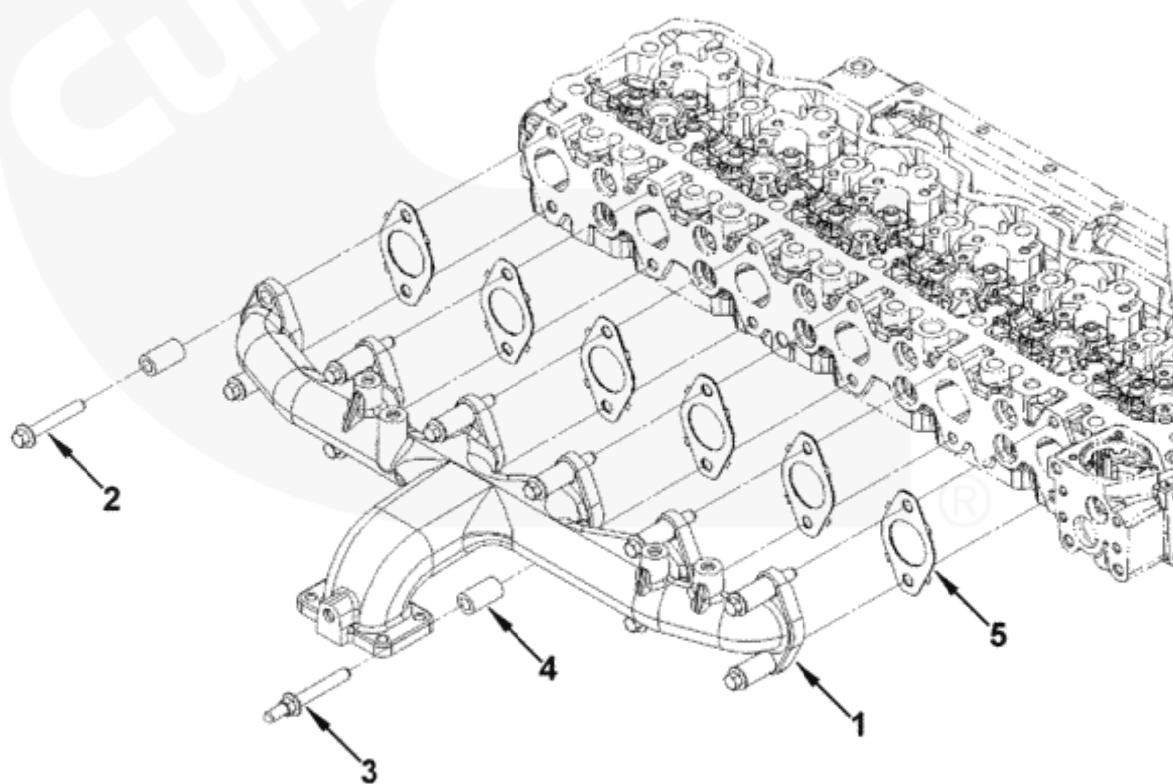


Fig No. 10.06-1 EXHAUST MANIFOLD

K E Y	L E V E L	PART NO.	PART NAME	Q T Y	S / C	B 5 . 9	REMARK
1	1	3979211	MANIFOLD,EXHAUST	1		X	
2	1	3944593	SCREW,HEX FLANGE HEAD CAP	11		X	M10X1.50X65
3	1	3944655	SCREW,STUDED FLANGE CAP	1		X	M10X1.5X20;M10X1.5X65
4	1	3945252	SPACER,MOUNTING	12		X	
5	1	5288690	GASKET,EXHAUST MANIFOLD	6		X	

©Cummins Inc

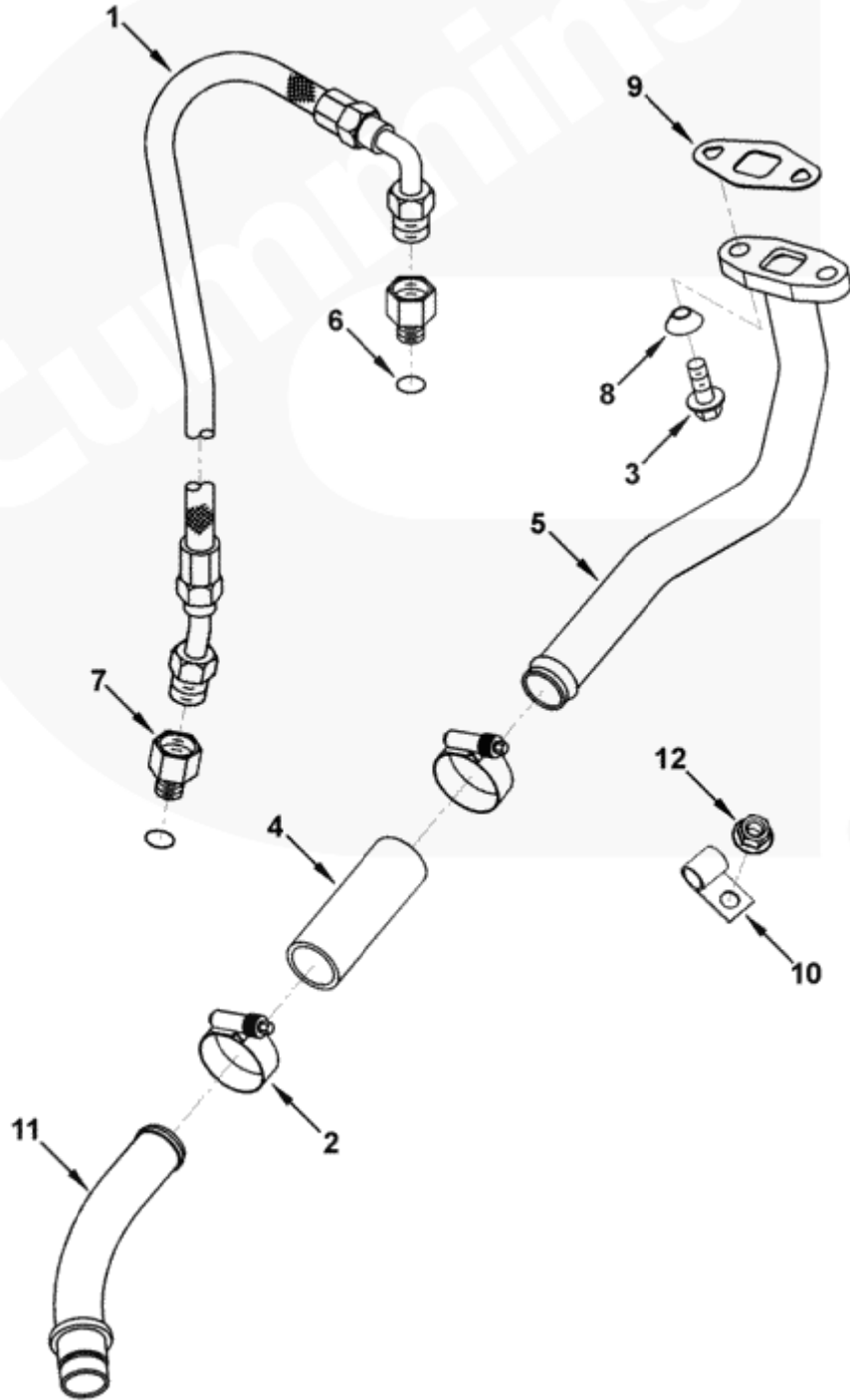


Fig No. 10.06-2 TURBOCHARGER PLUMBING

K E Y	L E V E L	PART NO.	PART NAME	Q T Y	S / C	B 5 . 9	REMARK
1	1	3281504	HOSE,FLEXIBLE	1		X	
2	1	3936554	CLAMP,HOSE	2	N	X	
3	1	3900630	SCREW,HEX FLANGE HEAD CAP	2		X	M8X1.25X20
4	1	3936632	HOSE,PLAIN	1		X	
5	1	4093743	CONNECTION,TUR OIL DRAIN	1		X	
6	1	3037236	SEAL,O RING	2		X	
7	1	3284244	CONNECTOR,FEMALE	1	N	X	replace wirh 3919687
8	1	3924389	WASHER,SEALING	2		X	
9	1	3282113	GASKET,OIL DRAIN	1		X	replace wirh 5264569
10	1	554013	CLAMP,TUBE	1		X	
11	1	3903744	TUBE,TUR OIL DRAIN	1		X	
12	1	3902662	NUT,HEXAGON FLANGE	1		X	M10X1.50

11

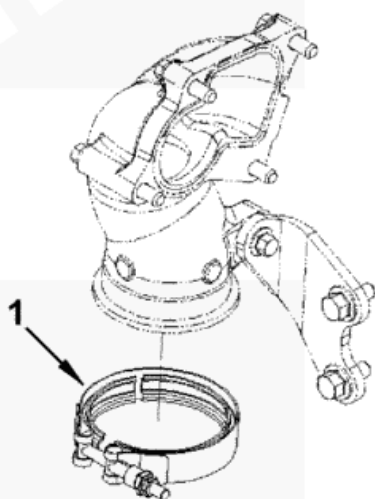
EXHAUST SYSTEM

11.01-1 EXHAUST OUTLET CONNECTION

FIG NO. 11.01-1

EXHAUST OUTLET CONNECTION

©Cummins Inc



®

Fig No. 11.01-1 EXHAUST OUTLET CONNECTION

KEY	LEVEL	PART NO.	PART NAME	QTY	S/C	B5-9	REMARK
1	1	3935338	CLAMP,V BAND	1		X	

12

AIR EQUIPMENT

12.01 AIR COMPRESSOR

12.01-3 COMPRESSOR COOLANT PLUMBING

12.04 AUXILIARY PUMP MOUNTING

©Cummins Inc

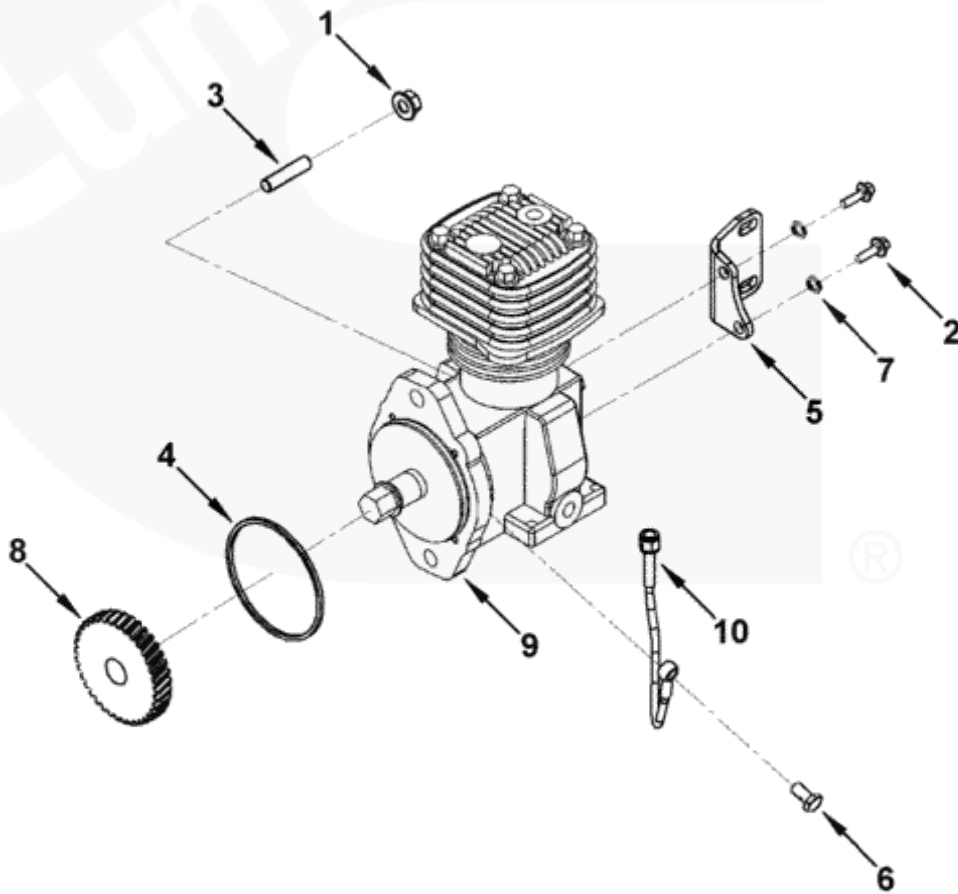


Fig No. 12.01

AIR COMPRESSOR

K E Y	L E V E L	PART NO.	PART NAME	Q T Y	S / C	B 5 . 9	REMARK
1	1	3279043	NUT,HEXAGON FLANGE	2		X	M2X1.75
2	1	3900631	SCREW,HEX FLANGE HEAD CAP	2		X	M8X1.25X25
3	1	3282054	STUD,DOUBLE END PLAIN	2		X	
4	1	3906252	SEAL,RECTANGULAR RING	1		X	
5	1	5262961	BRACE,AIR COMPRESSOR	1		X	
6	1	5284131	SCREW,BANJO CONNECTOR	1		X	M10X1.00X13.5
7	1	3918190	WASHER,SEALING	2		X	
8	1	3967611	GEAR,ACCESSORY DRIVE	1		X	
9	1	4094036	COMPRESSOR,AIR	1		X	
10	1	4093806	HOSE,FLEXIBLE	1		X	

©Cummins Inc

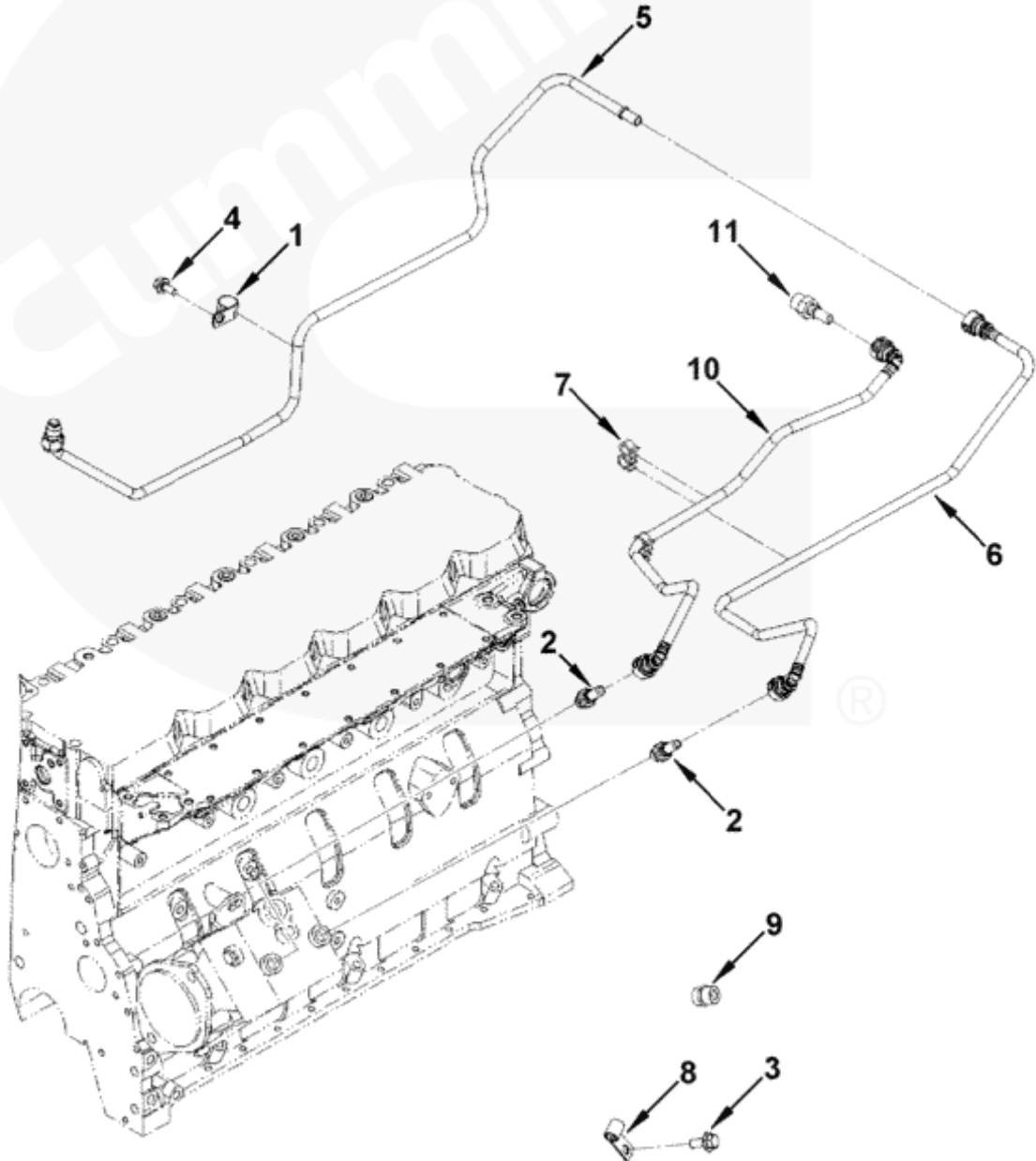


Fig No. 12.01-3 COMPRESSOR COOLANT PLUMBING

K E Y	L E V E L	PART NO.	PART NAME	Q T Y	S / C	B 5 . 9	REMARK
1	1	3200393	CLIP	1		X	
2	1	3287269	CONNECTOR,QCK DISCONNECT	2		X	
3	1	3901249	SCREW,HEX FLANGE HEAD CAP	1		X	M12X1.75X25
4	1	3903990	SCREW,HEX FLANGE HEAD CAP	1		X	M10X1.50X20
5	1	5259151	TUBE,CPR WATER OUTLET	1		X	
6	1	5259152	TUBE,CPR WATER OUTLET	1		X	
7	1	5259155	CLIP	1		X	
8	1	5259154	CLIP	2		X	
9	1	5259156	CONNECTOR,MALE	1		X	
10	1	5259159	TUBE,CPR WATER INLET	1		X	
11	1	5259299	CONNECTOR,TUBE	1		X	

©Cummins Inc



®

Fig No. 12.04

AUXILIARY PUMP MOUNTING

KEY	LEVEL	PART NO.	PART NAME	QTY	S/C	B5-9	REMARK
1	1	3278448	SCREW,TWELVE POINT CAP	2		X	

13

ELECTRICAL EQUIPMENT

- 13.02-2 ALTERNATOR DRIVE
- 13.05 STARTING MOTOR
- 13.05-1 STARTING MOTOR MOUNTING

©Cummins Inc

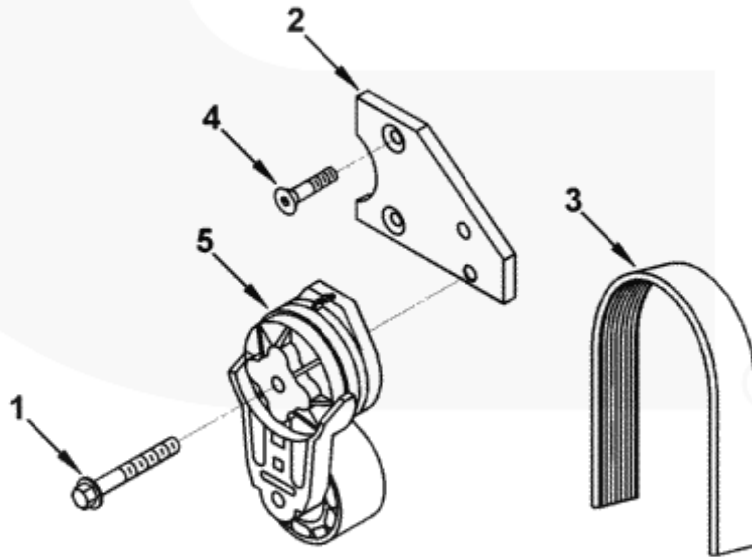


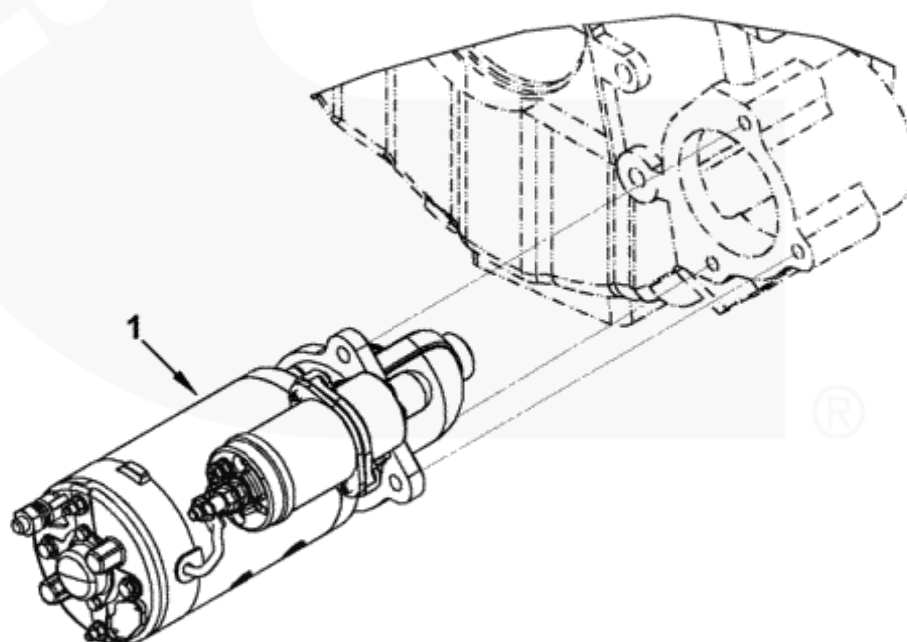
Fig No. 13.02-2 ALTERNATOR DRIVE

K E Y	L E V E L	PART NO.	PART NAME	Q T Y	S / C	B 5 . 9	REMARK
1	1	3904446	SCREW,HEX FLANGE HEAD CAP	1		X	M10X1.50X70
2	1	3286908	BRACKET,BELT TENSIONER	1		X	
3	1	3288689	BELT,V RIBBED	1		X	
4	1	3925186	SCREW,FLAT HEAD CAP	2		X	M8X1.25X25
5	1	3937553	TENSIONER,BELT	1		X	

FIG NO. 13.05

STARTING MOTOR

©Cummins Inc



®

KEY	LEVEL	PART NO.	PART NAME	QTY	S/C	B59	REMARK
1	1	4093888	MOTOR,STARTING	1		X	

FIG NO. 13.05-1

STARTING MOTOR MOUNTING

©Cummins Inc

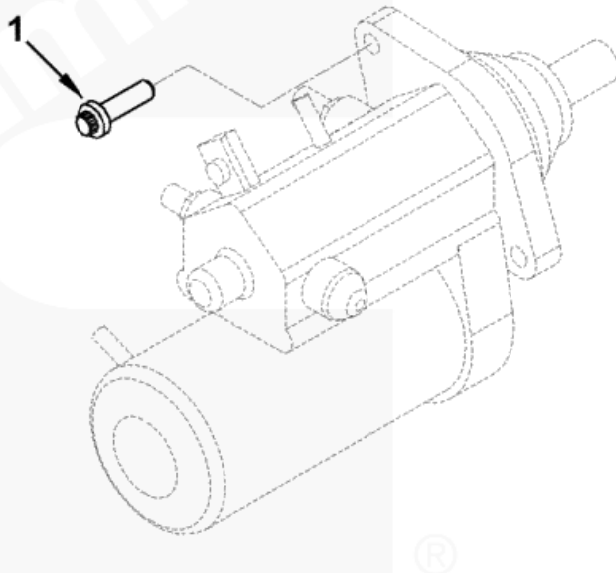


Fig No. 13.05-1 STARTING MOTOR MOUNTING

KEY	LEVEL	PART NO.	PART NAME	QTY	S/C	B5-9	REMARK
1	1	3968470	SCREW,TWELVE POINT CAP	3		X	M10X1.50X35

15

INSTRUMENT/CONTROL

15.06

MECHANICAL TACHOMETER DRIVE

©Cummins Inc

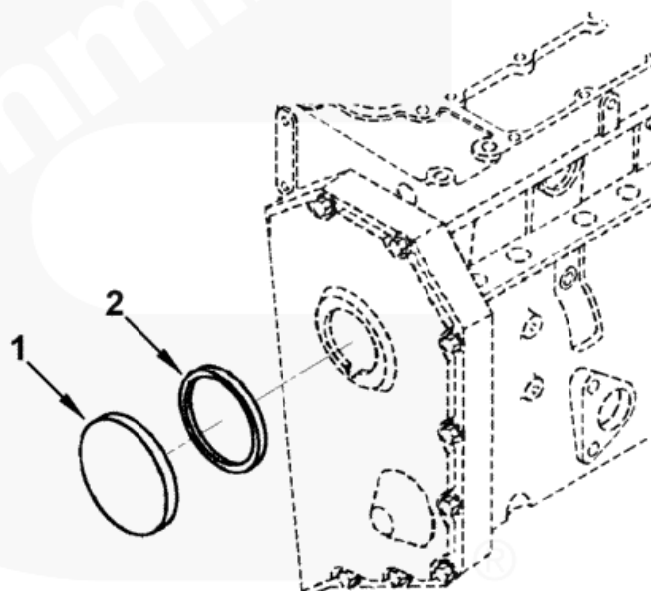


Fig No. 15.06

MECHANICAL TACHOMETER DRIVE

KEY	LEVEL	PART NO.	PART NAME	QTY	S/C	B5-9	REMARK
1	1	3903463	COVER,ACCESS HOLE	1		X	
2	1	3903475	SEAL,RECTANGULAR RING	1		X	

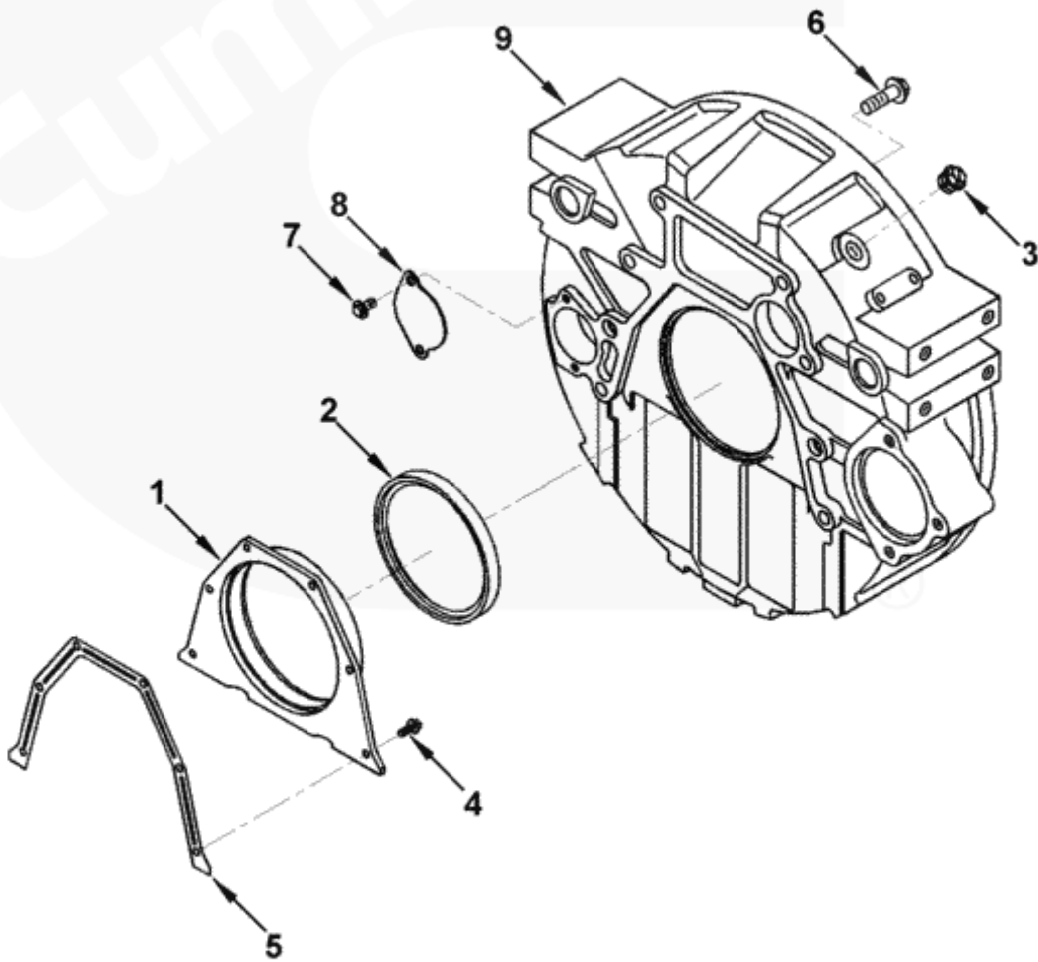
16

MOUNTING ADAPTATIONS

16.01

FLYWHEEL HOUSING

©Cummins Inc



K E Y	L E V E L	PART NO.	PART NAME	Q T Y	S / C	B 5 - 9	REMARK
1-A	1	5274159	COVER,REAR	1		X	incl.1~2
1	2	4946178	COVER,REAR	1		X	
2	2	4988952	SEAL,OIL	1		X	
3	1	3904181	PLUG,THREADED	1		X	3/4-16 UNF
4	1	3913638	SCREW,HEX FLANGE HEAD CAP	6		X	M6X1.00X16
5	1	3914386	GASKET,REAR COVER	1		X	purchase 3928493
6	1	3920447	SCREW,HEX FLANGE HEAD CAP	8		X	M12X1.75X40
7	1	3900629	SCREW,HEX FLANGE HEAD CAP	2		X	M8X1.25X16
8	1	3925234	PLATE,COVER	1		X	
9	1	4080800	HOUSING,FLYWHEEL	1		X	

17

MISCELLANEOUS

17.06 LIFTING ARRANGEMENT

17.07 NOISE PANEL

FIG NO. 17.06

LIFTING ARRANGEMENT

©Cummins Inc

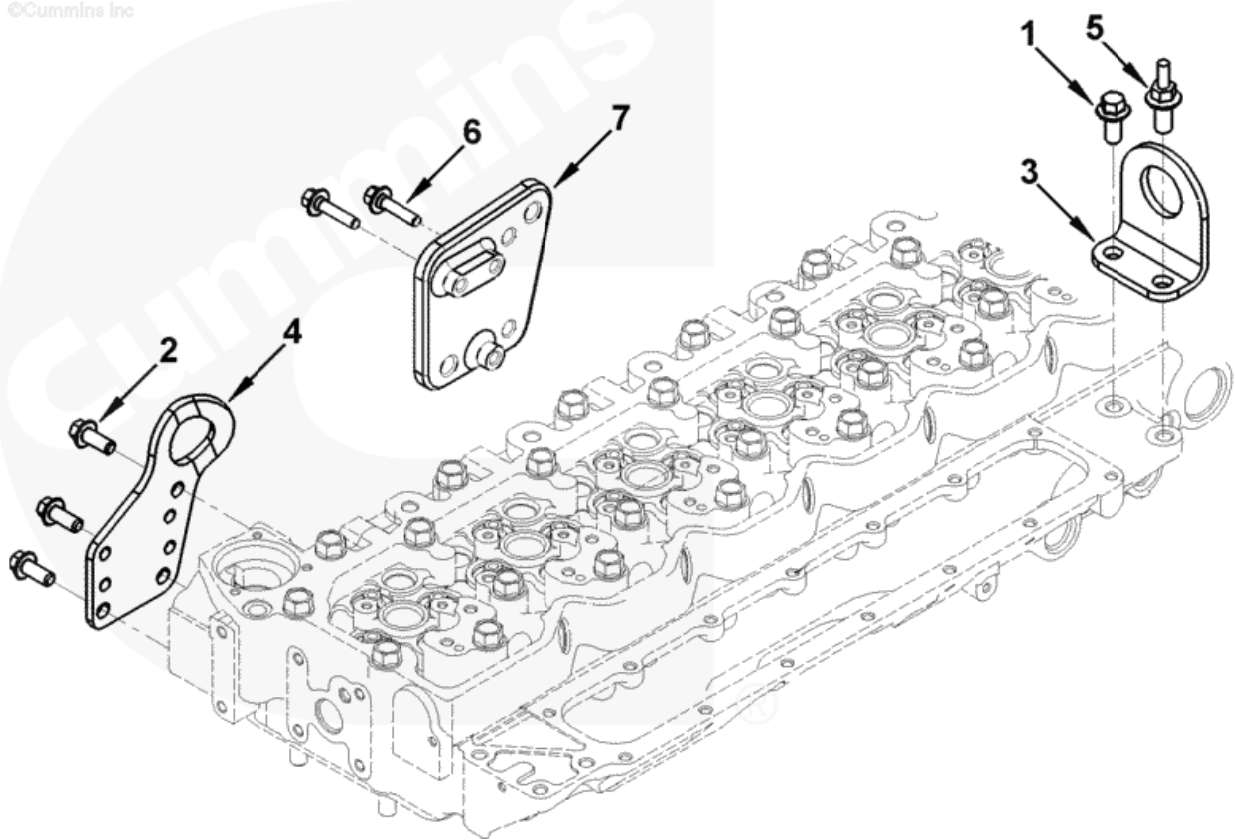


Fig No. 17.06

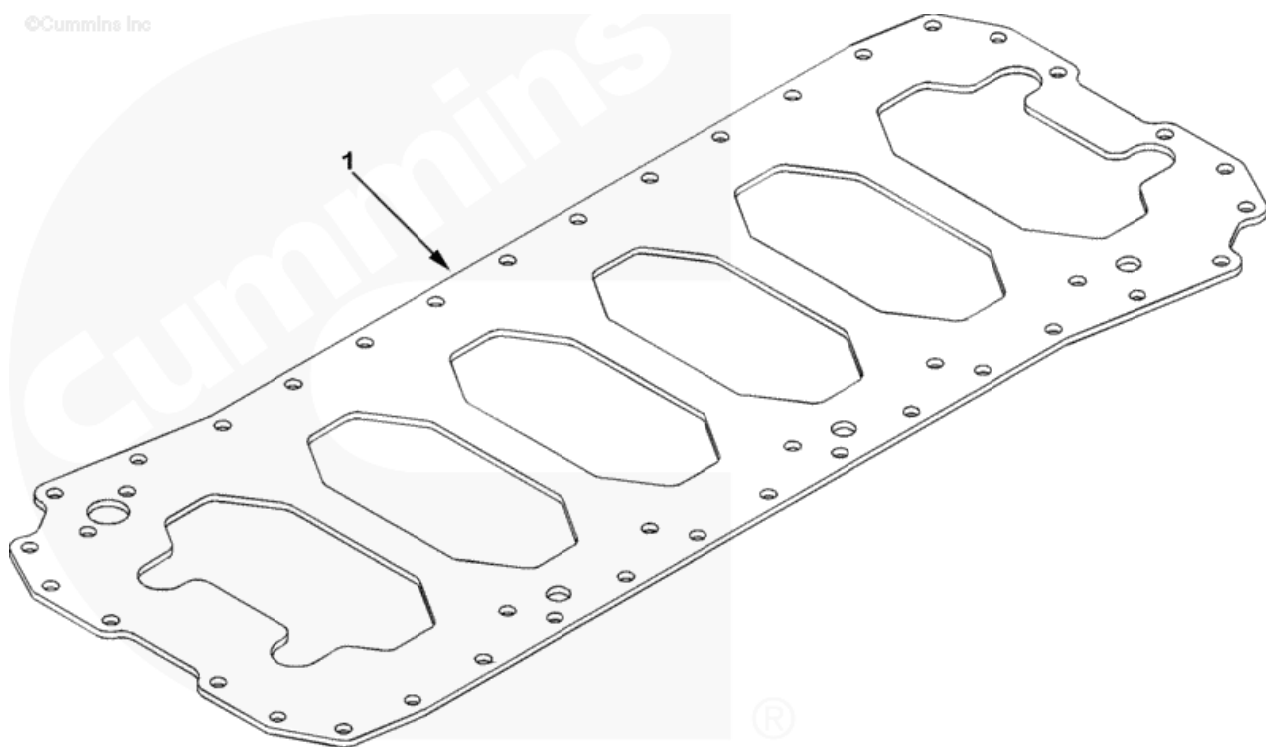
LIFTING ARRANGEMENT

K E Y	L E V E L	PART NO.	PART NAME	Q T Y	S / C	B 5 . 9	REMARK
1	1	3901249	SCREW,HEX FLANGE HEAD CAP	1		X	M12X1.75X25
2	1	3903112	SCREW,HEX FLANGE HEAD CAP	2		X	M10X1.50X30
3	1	3940288	BRACKET,LIFTING	1		X	
4	1	3943215	BRACKET,LIFTING	1		X	
5	1	3944061	SCREW,STUDED FLANGE CAP	1		X	
6	1	3902114	SCREW,HEX FLANGE HEAD CAP	2		X	M8X1.25X30
7	1	5285515	SPACER,MOUNTING	1		X	

FIG NO. 17.07

NOISE PANEL

©Cummins Inc



KEY	LEVEL	PART NO.	PART NAME	QTY	S/C	B59	REMARK
1	1	3941556	PLATE,CYL BLOCK STIFFENER	1		X	