



The OPTOTRONIC Compact Drivers have several architectural grade features that offer functionality that supports architectural lighting design. OPTOTRONIC LED drivers support true 1% dimming across the entire driver programmable output current range. This key specification gives lighting designers the flexibility and precise light output they require. The synchronized ON/OFF timing and dimming control meet efficacy requirements and ensure consistent dimming levels across multiple luminaires. The DIM-to-OFF feature enables luminaires to smoothly transition from dim to off. And, offers an AUX power output option to power and extend DIM-to-OFF capability to fixture-integrated sensors and controls.

OEMs can fully customize programmable features into a driver which helps optimize production line efficiency by utilizing the one-click programming feature of the OPTOTRONIC Programmer. The OPTOTRONIC Programmer does not require the power supply to be powered up or connected to AC line voltage while programming.

Application Information

Applications

- Architectural
- Downlights
- In-grade fixtures
- Recessed troffer
- Wall washing

Key Features & Benefits

- Architectural-grade features include:
 - True 1% dimming
 - Synchronized ON/OFF and dimming control
 - DIM to OFF
 - Dimming interface protection
- Custom programmable with 1 mA resolution to perfectly match LED load and maximize performance
- Integrated OEM programmable features include:
 - Constant lumen maintenance
 - End-of-life indication
 - LED thermal protection
 - Soft start
- Programming does not require powering up or connecting the power supply to AC line voltage
- Available optional auxiliary output to power 12V, 20V, and 24V low power applications
- Familiar standard industry housing – 5.0" x 2.4" x 1.1" (L x W x H)
- Wide output current and voltage range
- Available with mounting feet (F-style) or PEM studs (J-style) to simplify installation
- Universal Input Voltage
 - 120-277V_{AC} 50/60Hz
 - 347V_{AC} 50/60Hz
- UL Class 2 output for safe operation

Product Offering

Max. Power	Housing Type	Connectors	Minimum Dimming	Output Current Range	Dedicated Aux ³ 12V/20V/24V
25W	F-style ¹	Dual Entry	1%	150–1250mA	Yes
25W	J-style ²	Bottom Feed	1%	150–1250mA	Yes
40W	F-style ¹	Dual Entry	1%	400–1400mA	Yes
40W	J-style ²	Bottom Feed	1%	400–1400mA	Yes
55W	F-style ¹	Dual Entry	1%	700–2000mA	Yes
55W	J-style ²	Bottom Feed	1%	700–2000mA	Yes

¹ feet

² PEM stud

³ 1W max

Specifications and Certifications



Compliant to 47 CFR, Part 15 Class A
Compliant to UL STD 60730-1 for SREC

Compatible with CA T-24 requirement for flicker and startup time

Electrical Specifications

Maximum Output Power (W)	Nominal Input Voltage (Vac)	Maximum Input Current (A)	Power Factor	THD	Line Transient	Efficiency	Environmental Rating	UL File #
25W	120-277Vac 50/60 Hz	0.26A @ 120V 0.12A @ 277V	>0.9	<20%	NEMA SSL1-2010	87%	Damp/Dry	E320395
25W	347Vac 50/60 Hz	0.105 @ 347V	>0.9	<20%	NEMA SSL1-2010	85%	Damp/Dry	E320395
40W	120-277Vac 50/60 Hz	0.41A @ 120V 0.18A @ 277V	>0.9	<20%	NEMA SSL1-2010	87%	Damp/Dry	E320395
40W	347Vac 50/60 Hz	0.155 @ 347V	>0.9	<20%	NEMA SSL1-2010	87%	Damp/Dry	E320395
55W	120-277Vac 50/60 Hz	0.6A @ 120V 0.26A @ 277V	>0.9	<20%	NEMA SSL1-2010	89%	Damp/Dry	E320395

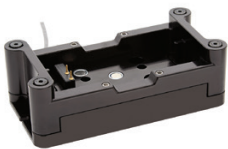
Ordering Information

Item Number	NAED	Ordering Abbreviation	Total Output Power	Output Current Range	Default Current	Output Voltage Range (Voc)	Dimming Control	Dimming Range	LED Thermal Protection	Housing Type
120-277V										
*2743VY	57347	OTi25W/120-277/1A2/DIM-1	25W	150-1250mA (Programmable)	500mA	8-55V	0-10V	1-100%	Yes	F-Style
*274A1J	57348	OTi25W/120-277/1A2/DIM-1/J	25W	150-1250mA (Programmable)	500mA	8-55V	0-10V	1-100%	Yes	J-Style
*2743W0	57349	OTi25W/120-277/1A2/DIM-1 AUX	25W	150-1250mA (Programmable)	500mA	8-55V	0-10V	1-100%	Yes	F-Style
*274A1K	57350	OTi25W/120-277/1A2/DIM-1 J/AUX	25W	150-1250mA (Programmable)	500mA	8-55V	0-10V	1-100%	Yes	J-Style
*2743W1	57351	OTi40W/120-277/1A4/DIM-1	40W	400-1400mA (Programmable)	700mA	8-55V	0-10V	1-100%	Yes	F-Style
*274A1L	57352	OTi40W/120-277/1A4/DIM-1/J	40W	400-1400mA (Programmable)	700mA	8-55V	0-10V	1-100%	Yes	J-Style
*2743W2	57353	OTi40W/120-277/1A4/DIM-1 AUX	40W	400-1400mA (Programmable)	700mA	8-55V	0-10V	1-100%	Yes	F-Style
*274A1M	57354	OTi40W/120-277/1A4/DIM-1 J/AUX	40W	400-1400mA (Programmable)	700mA	8-55V	0-10V	1-100%	Yes	J-Style
*2743W3	57355	OTi55W/120-277/2A0/DIM-1	55W	700-2000 mA (Programmable)	1000mA	10-55V	0-10V	1-100%	Yes	F-Style
*274A1N	57356	OTi55W/120-277/2A0/DIM-1/J	55W	700-2000 mA (Programmable)	1000mA	10-55V	0-10V	1-100%	Yes	J-Style
*2743W4	57357	OTi55W/120-277/2A0/DIM-1 AUX	55W	700-2000 mA (Programmable)	1000mA	10-55V	0-10V	1-100%	Yes	F-Style
*274A1P	57358	OTi55W/120-277/2A0/DIM-1/J AUX	55W	700-2000 mA (Programmable)	1000mA	10-55V	0-10V	1-100%	Yes	J-Style
347V										
*2743XR	57994	OTi25W/347/1A2/DIM-1	25W	150-1250mA (Programmable)	500mA	8-55V	0-10V	1-100%	Yes	F-Style
*274A3P	57995	OTi25W/347/1A2/DIM-1/J	25W	150-1250mA (Programmable)	500mA	8-55V	0-10V	1-100%	Yes	J-Style
*2743XS	57996	OTi25W/347/1A2/DIM-1 AUX	25W	150-1250mA (Programmable)	500mA	8-55V	0-10V	1-100%	Yes	F-Style
*274A3R	57997	OTi25W/347/1A2/DIM-1 J/AUX	25W	150-1250mA (Programmable)	500mA	8-55V	0-10V	1-100%	Yes	J-Style
*2743XT	57998	OTi40W/347/1A4/DIM-1	40W	400-1400mA (Programmable)	700mA	8-55V	0-10V	1-100%	Yes	F-Style
*274A3S	57999	OTi40W/347/1A4/DIM-1/J	40W	400-1400mA (Programmable)	700mA	8-55V	0-10V	1-100%	Yes	J-Style
*2743XU	58008	OTi40W/347/1A4/DIM-1 AUX	40W	400-1400mA (Programmable)	700mA	8-55V	0-10V	1-100%	Yes	F-Style
*274A3T	58009	OTi40W/347/1A4/DIM-1 J/AUX	40W	400-1400mA (Programmable)	700mA	8-55V	0-10V	1-100%	Yes	J-Style

Ordering Guide

OTi	55W	/	120-277	/	2A0	/	DIM-1	/	J	/	AUX
OPTOTRONIC® intelligent	Output Wattage		Input Voltage (120-277V) (347V)		Maximum output current 2000mA		1% Dimmable		J-Style Housing		AUX

Accessories

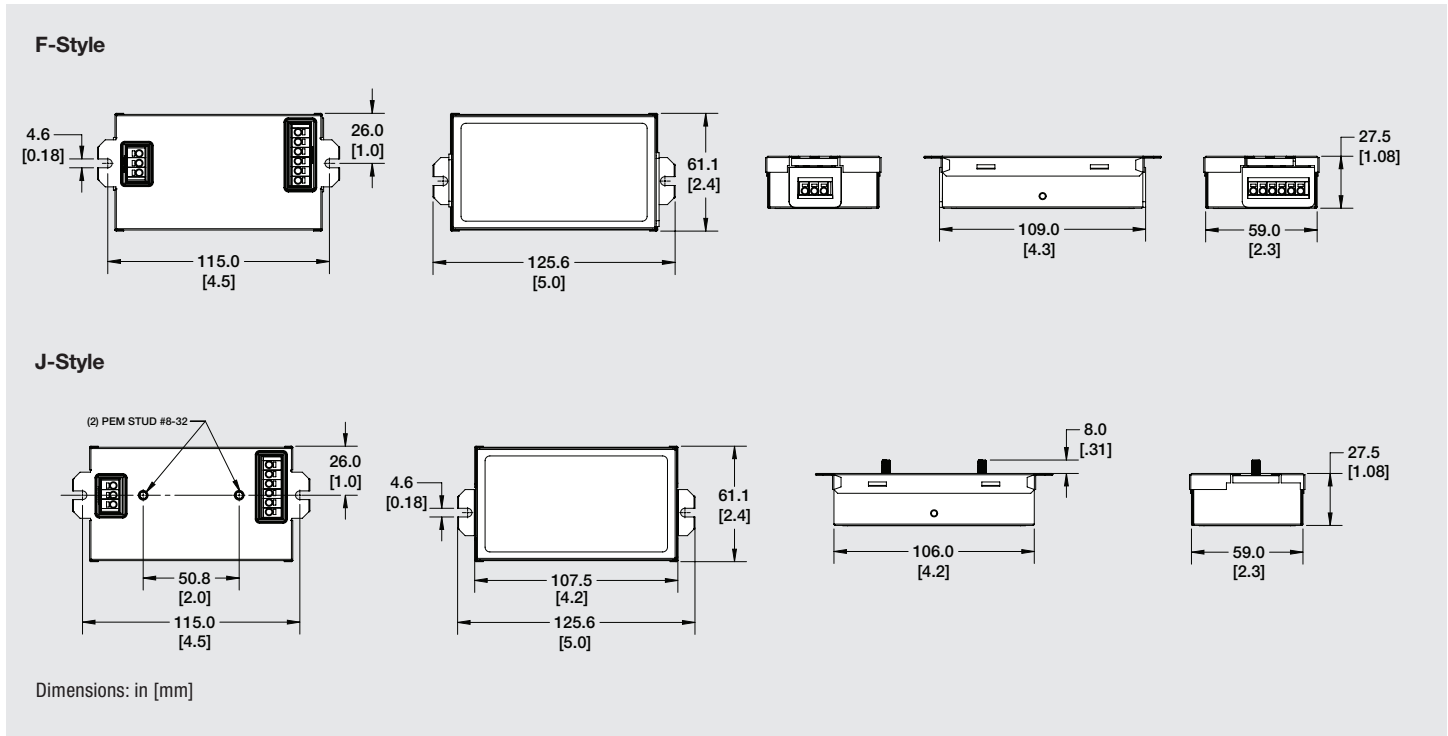


Item Number	NAED	Ordering Abbreviation	Description	Required Accessory
*274A17	51645	OTPROGRAMMER COMM BOX PRG	USB Programming Tool	Yes
*274A18	51646	OTPROGRAMMER LINEAR PRG NEST	Programming fixture	Optional

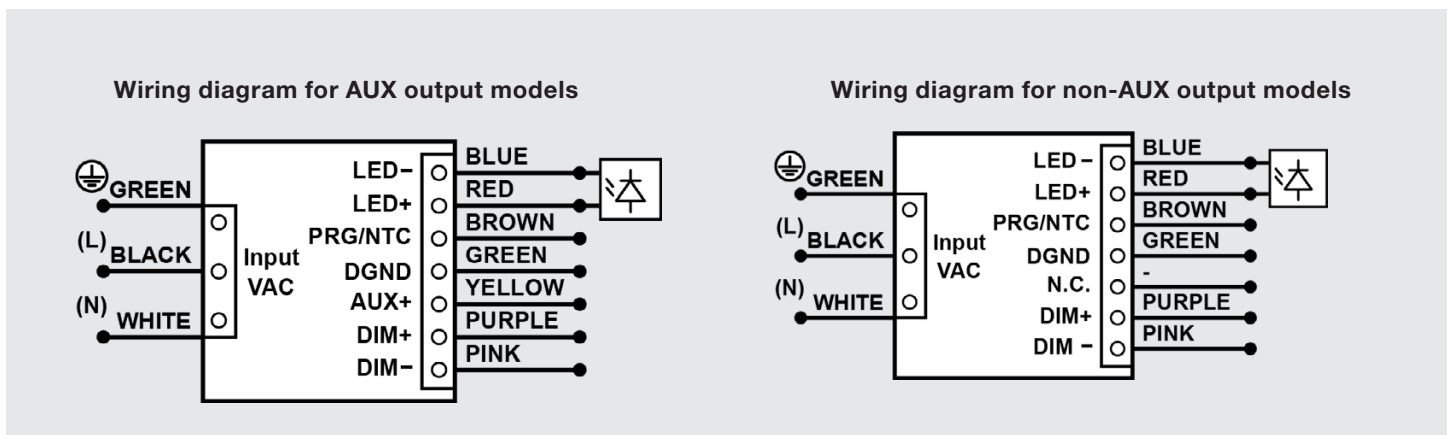
Minimum and Maximum Ratings

Parameter	Values
Input Voltage Range	108-305V _{AC}
Maximum Case Temperature (T _c point)	90°C (185°F)
Maximum Case Temperature for 5-Year Life and Warranty	80°C (176°F) for 25W/40W models; 75°C (167°F) for 55W
Ambient Operating Temperature (reference)	OTI25W: -30°C to 50°C (-22°F to 122°F) OTI40W: -35°C to 50°C (-22°F to 122°F) OTI55W: -35°C to 45°C (-31°F to 113°F) OTI25W, 40W: (347V): -40°C to 50°C (-40°F to 122°F)
Storage Temperature	-35°C to 75°C (-31°F to 167°F)
Maximum Relative Humidity	85% (Non-condensing)

Assembly Diagram

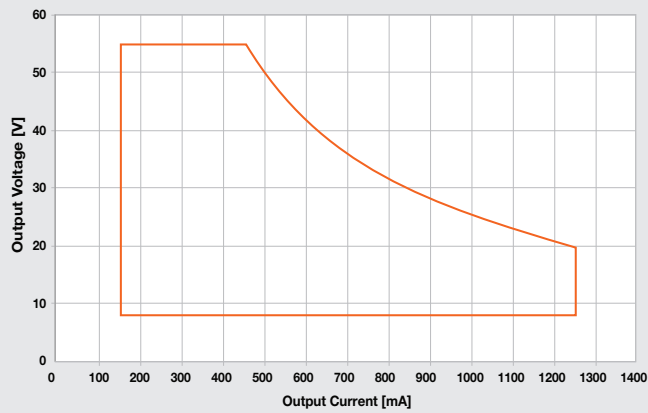


Wiring Diagram

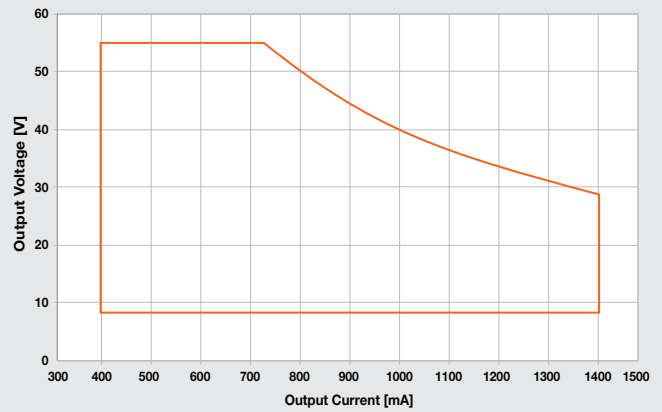


Operating Range

OTi25W



OTi40W



OTi55W



Packaging

Quantity: 20 pieces per case

Weight: 0.5 lbs ea./10 lbs per case (approx.)

Warranty

eldoLED OPTOTRONIC® Products are covered by a 5-year limited warranty. Complete warranty terms can be found at: <https://www.eldoled.com/legal/terms-and-conditions>

eldoLED

One Lithonia Way
Conyers, GA 30012
United States

+1 877 353 6533

nasupport@eldoLED.com

www.eldoLED.com

©2021 Acuity Brands Lighting, Inc.
Specifications subject to change without notice. Actual performance may differ as a result of end-user environment and application.