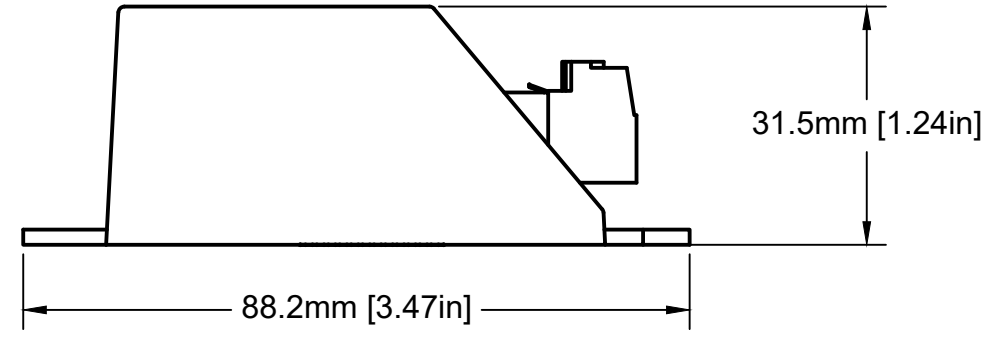
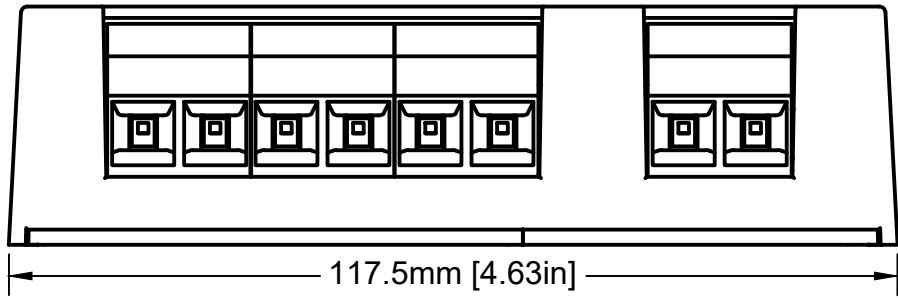
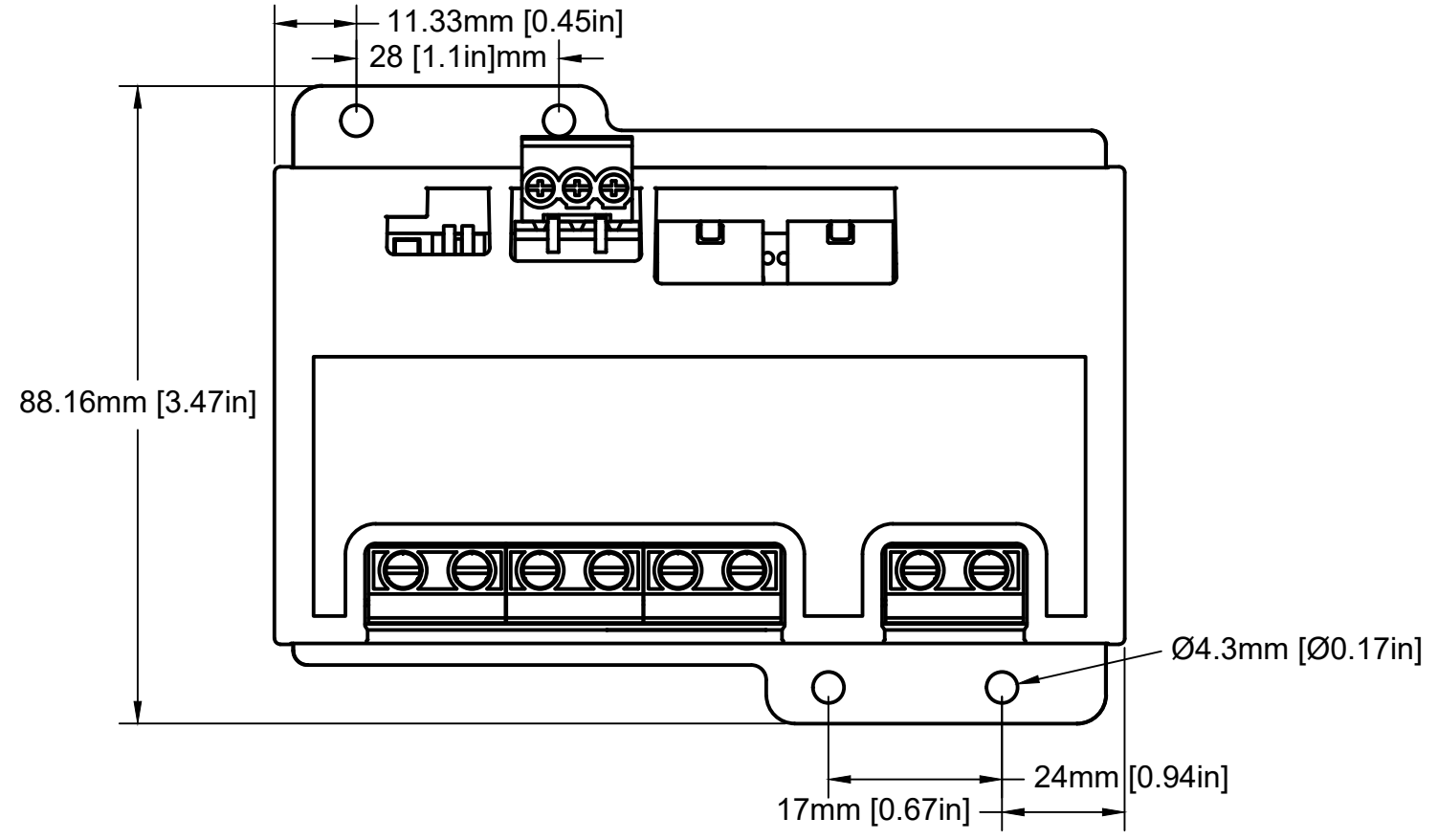
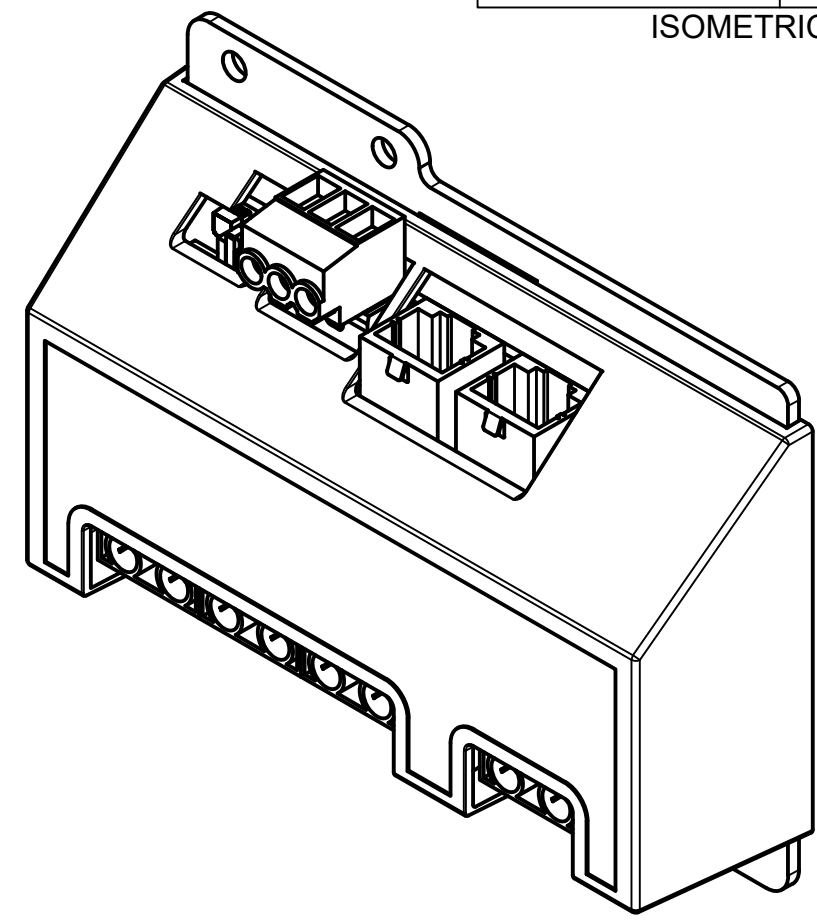
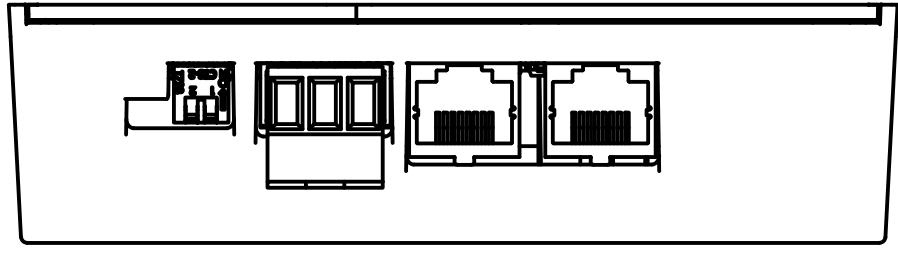


ISOMETRIC ACTUAL SIZE



| ISSUE | REVISION | DCN / INITIAL | DATE | ISSUE | REVISION | DCN / INITIAL | DATE |
|-------|-------------------------|---------------|----------|-------|----------|---------------|------|
| 1 | RELEASED FOR PRODUCTION | NM | 14-04-21 | | | | |

| | | |
|--|---------|------------|
| MATERIAL & FINISH | INITIAL | DATE |
| -- | INT | -- |
| TOLERANCES (UNLESS OTHERWISE SPECIFIED) 0.1 UP TO 6mm IS ±0.05 OVER 6 UP TO 30mm IS ±0.10 OVER 30MM UP TO 120mm IS ±0.25 OVER 120MM TO 400mm IS ±0.50 OVER 400mm IS ±1.00 ANGULAR IS ±1/2° | CHECKED | DBJ |
| | SCALE | 1:1 |
| | TITLE | 73925-CVC4 |

THIS DOCUMENT AND THE DESIGN IT CONTAINS IS EXCLUSIVELY THE PROPERTY OF ENTTEC AND IS THE SUBJECT OF COPYRIGHT

DRAWN TO AS1100
ALL DIMENSIONS IN MILLIMETERS
DO NOT SCALE - IF IN DOUBT ASK

ENTTEC
enttec.com