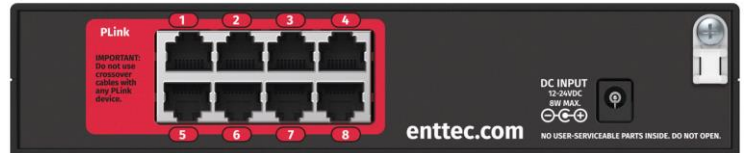
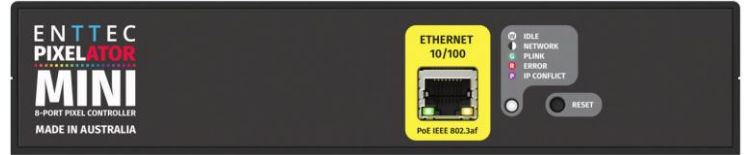




PIXELATOR MINI – Datasheet

16 Universe (8 output) master controller for a PLINK system.



ENTTEC's PIXELATOR MINI is an 8-port Ethernet pixel controller. Using ENTTEC's PLINK protocol, each port provides data to ENTTEC's PLINK INJECTOR which can control up to 2 Universes each, making the PIXELATOR MINI powerful enough to control up to 8,192 channels (2,730 RGB Pixels) with perfect synchronization across all eight of its outputs.

The PIXELATOR MINI supports a wide range of pixel protocols, which can be controlled with sACN, Art-Net, ESP and Kling-Net through an intuitive web browser. Controlling LED pixels, dots and digital strips has never been easier.

Our PLINK protocol can transmit up to 1024 channels (2 Universes) over a 300m distance using Cat5e/Cat6 cable to each ENTTEC PLINK INJECTOR. This allows for control of up to 340 RGB or 256 RGBW pixels per output. This satellite system provides great flexibility, and since all data conversion is processed on the PIXELATOR MINI, the PLINK INJECTOR is kept as compact as possible.

Depending on the application, choose between the indoor or outdoor IP PLINK INJECTOR, ensuring that the voltage is compatible with the pixels and power supply which is installed locally to the PLINK Injectors.

Features

- **8* RJ-45 ports (each providing 2 Universes of PLINK data output)**
- **16 Universe Ethernet to PLINK data over Cat5e/Cat6 cable**
- **1U Half Width form factor**
- **Easy to setup & update through any web browser**
- **Supports sACN, Art-Net, ESP, Kling-net**
- **RJ45 connector (10/100 Mbps)**
- **Static or Dynamic (DHCP) IP configuration (DHCP by default)**
- **Compatible with ENTTEC PLINK INJECTOR**
- **Pixel Grouping is configurable for each PLINK port. (1 to 340) for RGB and (1 to 256) for RGBW**
- **Each PLINK output can be assigned up to 2 Ethernet Universes.**
- **Pixel Ordering is configurable for each PLINK port.**

Specification

Connectors	8* PLINK output (RJ45)	
	1* Power input (DC)	
	1* Ethernet (RJ45)	
IP rating	IP20	
LED status indicator	Forward facing LED indicator	
	Network link/Activity (integrated into RJ45 port)	
Input protocols	Art-Net	sACN
	Kling-net	ESP
Output protocol	PLINK DATA	
Max. output channels	8192 (16 Universes)	
Max. output refresh rate	40FPS	
Network speed	10/100Base-T	
Network configuration	Static / DHCP	
RDM	No	
Configuration & Update	Web Interface	
Input voltage	12-24V DC / PoE IEEE802.3AF	
Max. Power draw	8 Watts	
Cooling method	Convection	
Environmental operating temperature	-20°C to 50°C	
	32°F to 122°F	
Environmental operating humidity	5- 95% (non-condensing)	
Body material	ABS + anodized aluminium	
Rack Ear Material	Powder coated aluminium.	
Unit weight	0.44kg / 0.97lbs	
Shipping dimensions	390*210*110 mm	
Shipping weight	0.79kg / 1.74lbs	
Warranty	3-year return to base manufacturer warranty	

Certification



Box contents

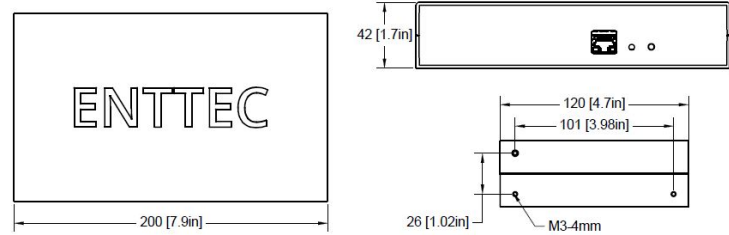
■ Pixelator Mini	■ 12V PSU & International plugs
■ Ethernet cable	■ Rack, Surface/Din mount ears + Din Clips + Screws

Cat5/6 Pin for PLINK output

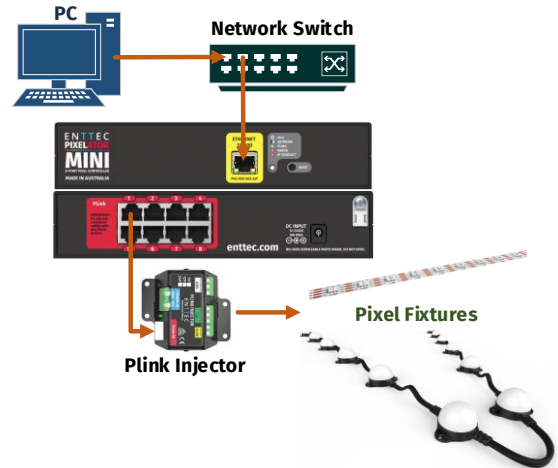
■ Pin 1: Data +	■ Pin 2: Data -	■ Pin 7: Ground
-----------------	-----------------	-----------------

Do not use crossover cables with any Plink device

Physical dimension



Application diagram



Safety

- This unit is intended for indoor use only. Do not expose to rain or moisture, doing this will void the warranty.
- Make all the connections before you plug in the mains power.
- Do not remove the cover, there are no serviceable parts inside.
- Never plug this unit into a dimmer.
- Always be sure to mount this unit in an area that will allow 6" (20cm) of ventilation.
- Power-supply cords should be routed so they cannot be damaged, damaged or force applied to the device's ports.
- Label any PLINK output Cat5/6 connector and DO NOT connect to non-PLINK device (eg Ethernet Switch). Connecting unlike systems could result in serious damage to equipment.

Ordering information

For further support and to browse ENTTEC's range of products visit the [ENTTEC website](http://enttec.com).

Item	SKU
Pixelator Mini	70067
PLINK INJECTOR (5v)	73546
PLINK INJECTOR (12v-24v)	73544

enttec.com

MELBOURNE AUS / LONDON UK / RALEIGH-DURHAM USA

Due to constant innovation, information within this document is subject to change.

Document Updated: Oct 2021

■ DATASHEET