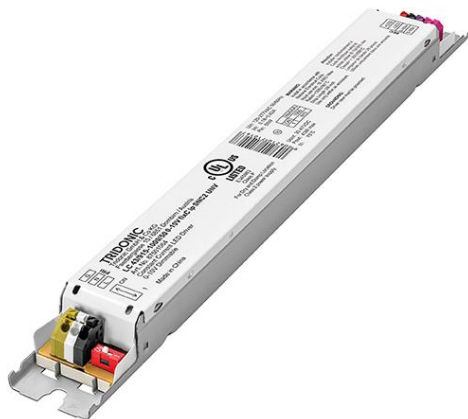


**Driver LC 43W 915–1000mA 0-10V fixC Ip SNC2 UNV**

Linear essence series

**Product description**

- \_ Constant current LED driver
- \_ Only for US applications
- \_ Dimmable via 0 ... 10 V
- \_ Dimming range 10 to 100 %
- \_ Class 2
- \_ Meets DesignLights Consortium 4.3
- \_ Certified to UL Listed Class P
- \_ Adjustable output current 915 or 1,000 mA
- \_ Max. output power 43 W
- \_ Nominal lifetime up to 50,000 h
- \_ 5 years guarantee (conditions at [www.tridonic.com](http://www.tridonic.com))

**Housing properties**

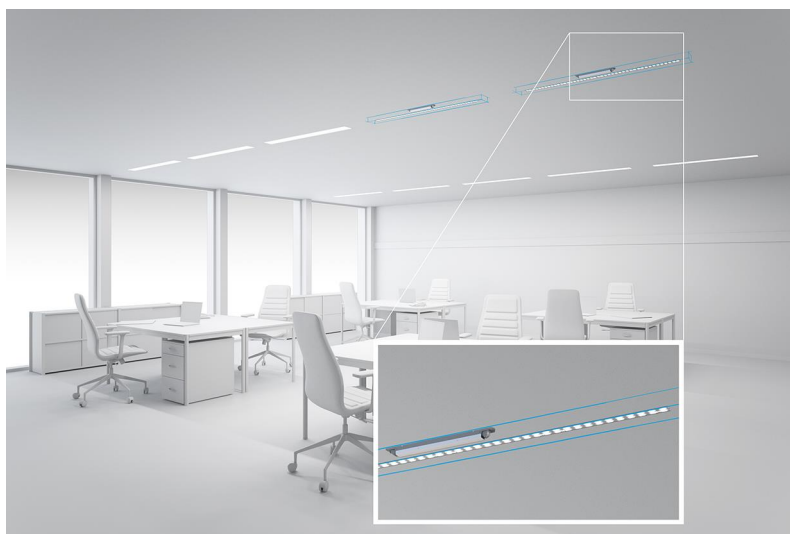
- \_ Casing: metal, white
- \_ Type of protection IP20
- \_ Dry and damp location

**Functions**

- \_ Overload protection
- \_ Short-circuit protection
- \_ No-load protection
- \_ Overtemperature protection

**Website**

<http://www.tridonic.us/87501064>



Spotlights



Downlights



Linear



Area



Floor | Wall



Free-standing



Street

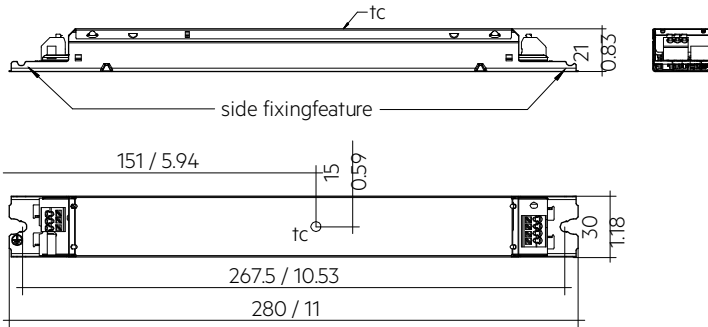


Decorative

**Driver LC 43W 915–1000mA 0-10V fixC Ip SNC2 UNV**

Linear essence series

The complete data sheet for this product is available in the Downloads section.



**Ordering data**

Type	Article number	Packaging, carton	Packaging, low volume	Packaging, high volume	Weight per pc.
LC 43/915-1000/50 0-10V fixC Ip SNC2 UNV	87501064	50 pc(s).	900 pc(s).	2,700 pc(s).	0.44 lbs

**Technical data**

Rated supply voltage	120 – 277 V
AC voltage range	108 – 305 V
Mains frequency	50 / 60 Hz
Leakage current (at 120 V, 60 Hz, full load) <sup>①②</sup>	< 700 µA
Leakage current (at 277 V, 60 Hz, full load) <sup>①②</sup>	< 700 µA
Typ. efficiency (at 120 V, 60 Hz, full load) <sup>②</sup>	87 %
Typ. efficiency (at 277 V, 60 Hz, full load) <sup>②</sup>	89 %
λ (at 120 V, 60 Hz, full load) <sup>①</sup>	0.95
λ (at 277 V, 60 Hz, full load) <sup>①</sup>	0.95
Typ. input current in no-load operation (at 120 V, 60 Hz)	19 mA
Typ. input current in no-load operation (at 277 V, 60 Hz)	31 mA
Typ. input power in no-load operation (at 120 V, 60 Hz)	0.32 W
Typ. input power in no-load operation (at 277 V, 60 Hz)	0.34 W
In-rush current (peak / duration at 120 V)	4 A / 23 µs
In-rush current (peak / duration at 277 V)	7 A / 18 µs
THD (at 120 V, 60 Hz, full load) <sup>①</sup>	< 20 %
THD (at 277 V, 60 Hz, full load) <sup>①</sup>	< 20 %
Starttime (at 120V, 60 Hz, full load) <sup>①</sup>	≤ 500 ms
Starttime (at 277V, 60 Hz, full load) <sup>①</sup>	≤ 500 ms
Turn off time at full load	< 500 ms
Hold time (power failure, full load)	0 s
Output current tolerance <sup>①③</sup>	± 5 %
Max. output current peak (non-repetitive)	≤ output current + 15 %
Output LF current ripple (< 120 Hz)	± 15 %
Max. output voltage (U-OUT)	60 V
Dimming range	10 – 100 %
Mains surge capability (between L - N)	2 kV
Mains surge capability (between L/N - PE)	2 kV
Surge voltage at output side (against PE)	3.5 kV
Surge ring wave protection	2.5 kV
Type of protection	IP20
Lifetime	up to 50,000 h
Guarantee	5 Year(s)
Dimensions L x W x H	11 x 1.18 x 0.83 inch

**Approval marks**

RoHS

**Standards**

UL 8750, UL 1310, UL 840, CSA C22.2, FCC PART 15

**Specific technical data**

Type	Output current <sup>④</sup>	Min. output voltage	Max. output voltage	Max. output power (at 120 V, 60 Hz, full load)	Typ. power consumption (at 120 V, 60 Hz, full)	Typ. current consumption (at 120 V, 60 Hz, full)	Typ. power consumption (at 277 V, 60 Hz, full)	Typ. current consumption (at 277 V, 60 Hz, full)	T <sub>c</sub> point max. <sup>⑤</sup>	Ambient temperature T <sub>a</sub>	I <sub>out</sub> select
LC 43/915-1000/50 0-10V fixC Ip SNC2 UNV	915 mA	30 V	47 V	43 W	49.6 W	424 mA	48.5 W	177 mA	167 °F	-4 ... +122 °F	1
LC 43/915-1000/50 0-10V fixC Ip SNC2 UNV	1,000 mA	30 V	43 V	43 W	50.0 W	420 mA	48.3 W	180 mA	167 °F	-4 ... +122 °F	ON

① Valid at 100 % dimming level.

② Depending on the selected output current.

③ 5-year guarantee.

④ Output current is mean value.