

Wall Mounted RGBW DMX512 Controller

09.2812U.04150

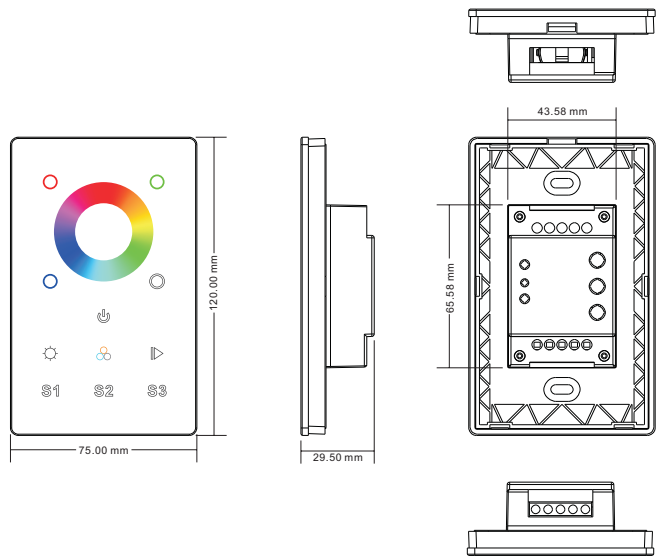


- Touch sensitive
- Glass interface(white & black)

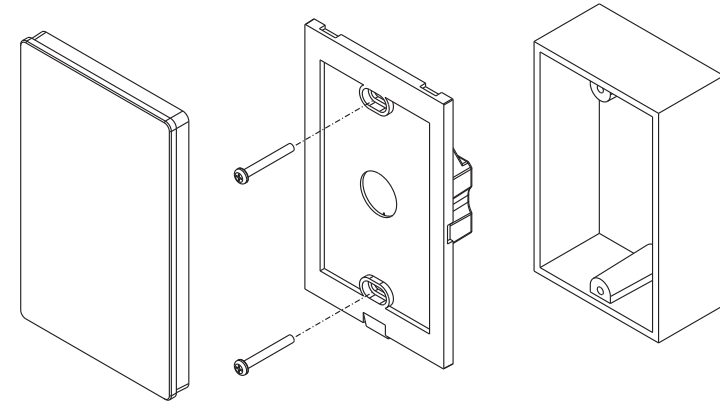
- Control 1 zone/area
- DMX512 signal output

Picture		Brief introduction of buttons	
<p>Red channel: click to turn off/on, hold to dim up/down</p>	<p>Green channel: click to turn off/on, hold to dim up/down</p>	<p>Blue channel: click to turn off/on, hold to dim up/down</p>	<p>White channel: click to turn off/on, hold to dim up/down</p>
<p>Color wheel</p>		<p>Click to turn on/off</p>	
<p>Warm white & Cold White & Natural White, mixed by RGB</p>		<p>Click to play / pause the 10 built-in effects, Hold to turn up/down the speed of the effect</p>	
<p>Hold to turn up/down brightness</p>		<p>Click to call up the saved color/effect</p>	
<p>Hold to save the color/effect Click to call up the saved color/effect</p>		<p>S1 S2 S3</p>	
<p>Operation Voltage</p>	<p>Output</p>		
<p>12-24V DC</p>	<p>DMX512 signal</p>		

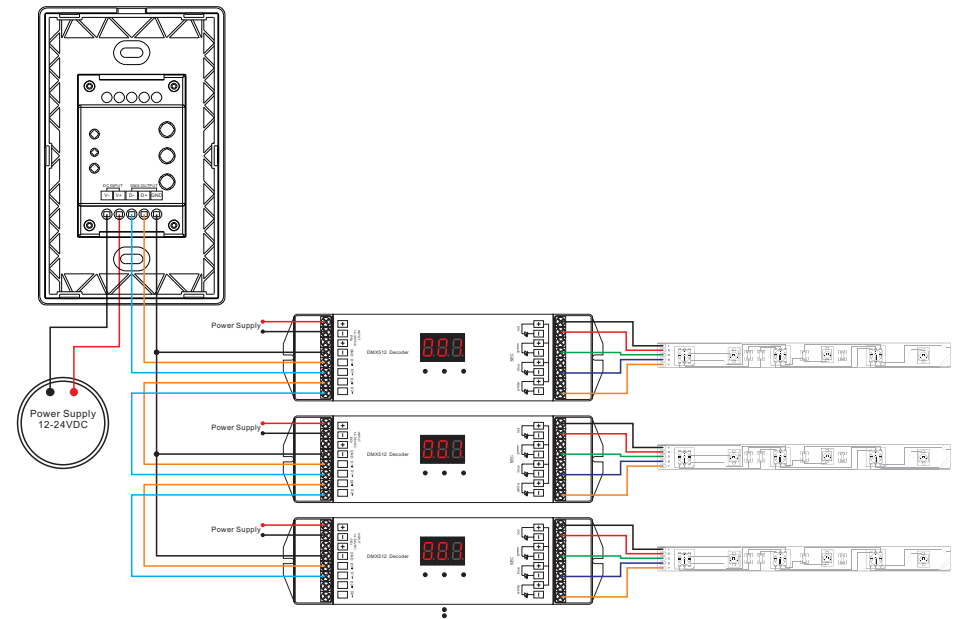
Size



Installation



Wiring diagram

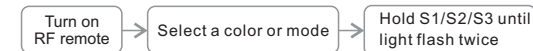


Operation

1. Set DMX Address:

The controller can control many DMX Decoders, All DMX Decoders Set as 001
Note: one DMX Decoder has 4 channels, so take 4 DMX Addresses 001, 002, 003, 004

2. Save color/scene/mode:



3. Call up the saved:

