



## Electrical Specifications

### General Information

Item Number	*2743UR (51598)
Type	Constant Voltage
Output Power	50W (Max.)
Output Voltage	24V DC
Input	120VAC

Find (NAED) as cross reference for new item number i.e. \*12345

### Environmental Specifications

Ambient Operating Temperature	-20 to 50 °C
Max. Case Temperature (Tc)	75°C
Storage Temp.	-25 to 50 °C
Surge Protection (KV)	ANSI C62.41 Cat A (5KV)
Overvoltage Protection	Yes
Short Circuit Protection	Yes
Over-temperature Protection	Yes
UL Environmental Rating	Dry
EMI Compliance	FCC Part 15 Class A

### Input

Input Voltage (VAC)	120V-277V (+/- 10%)
Frequency Range (Hz)	50 - 60 Hz (+/- 10%)
Input Current (A)	0.47@ 120V
Input Power (W)	56W
THD	< 20%
Power Factor	> 0.95
Inrush Current (A <sub>pk</sub> )	< 40A
Line Regulation	< 3%
Stand-by Power (W)	< 1.5W

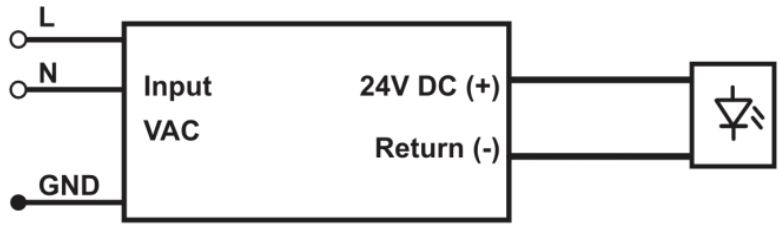
### Output

Output Voltage (VDC)	24V (+/- 5%)
Output Current (A)	0.04- 2.05A
Output Ripple (V)	0.2V
Efficiency	>85% (Typical)
Load Regulation	<3%



---

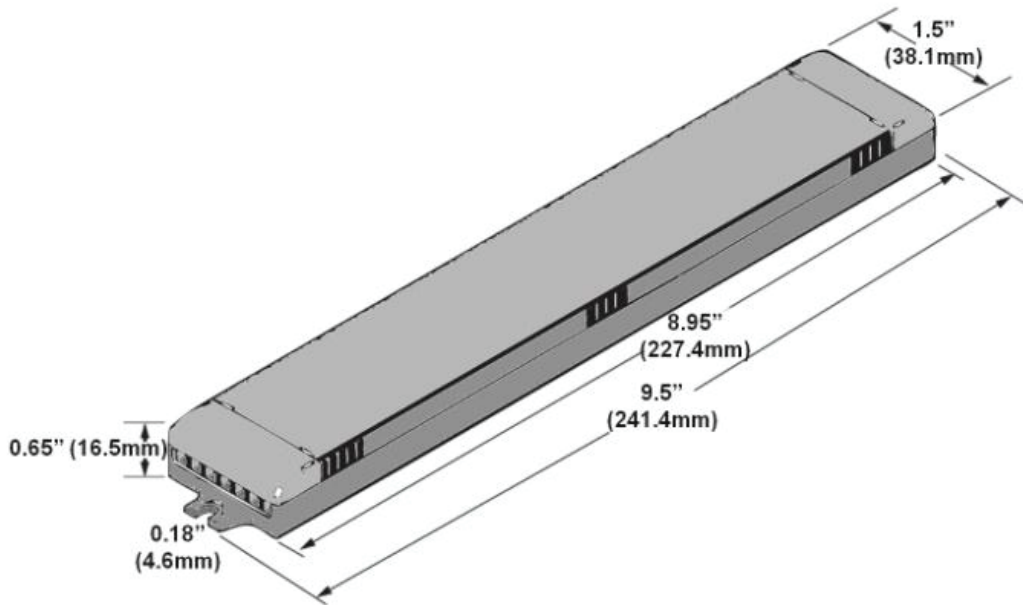
## Wiring Diagram



**Note:** Mounting distance for 18 AWG wire is 15 feet.  
For additional information on further distances and EMI compliance reference application note LED126.

---

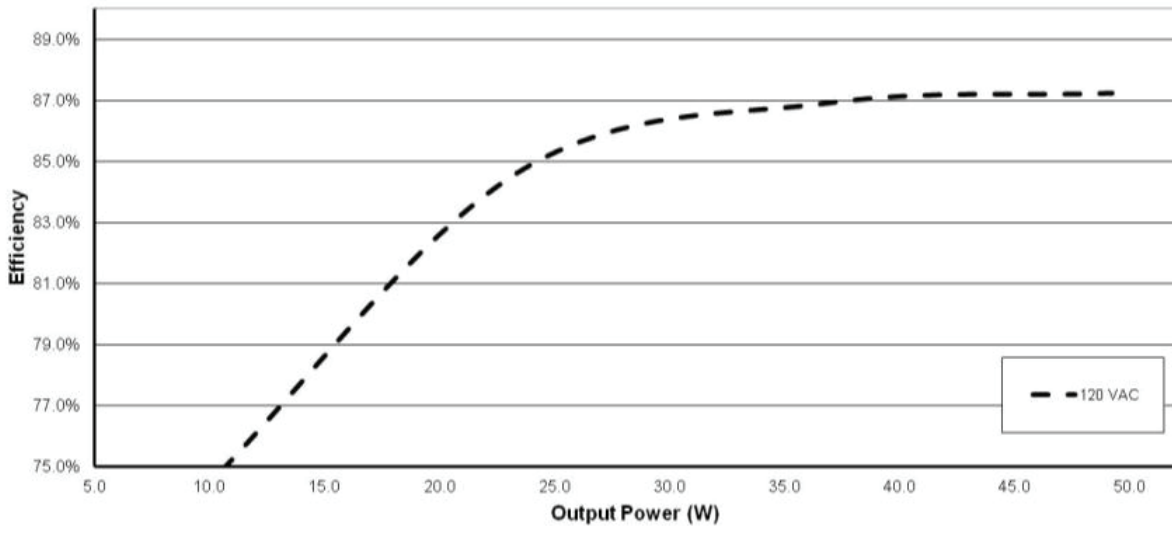
## Mechanical Diagram



<b>Wiring</b>	Connectors
<b>Wire Gauge</b>	14 - 20 AWG

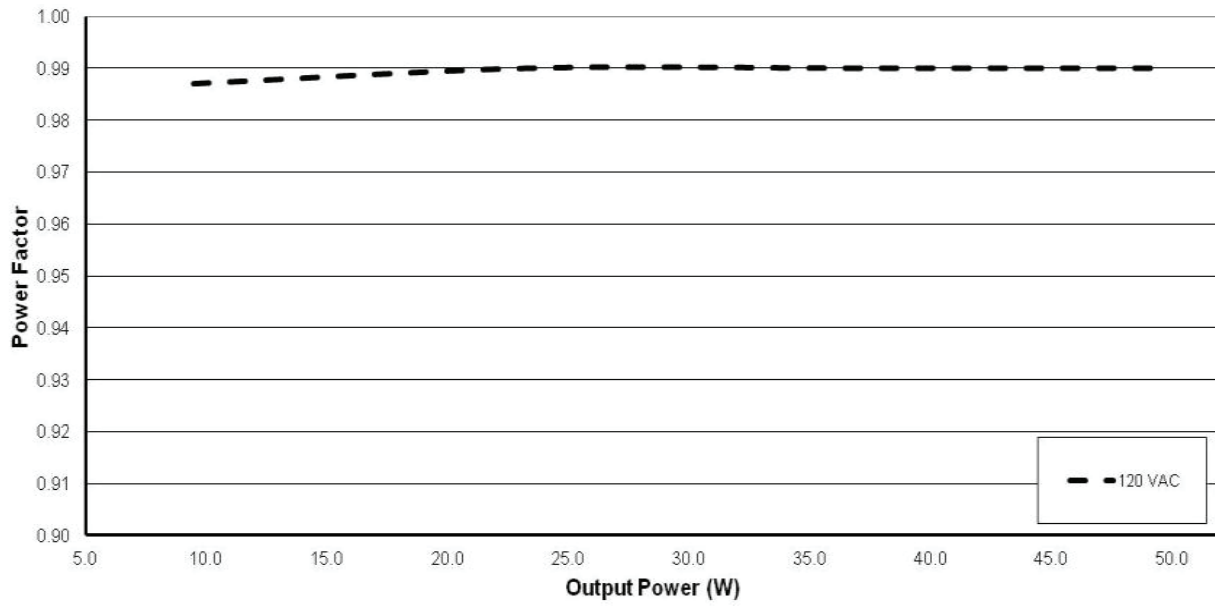
---

## Typical Efficiency



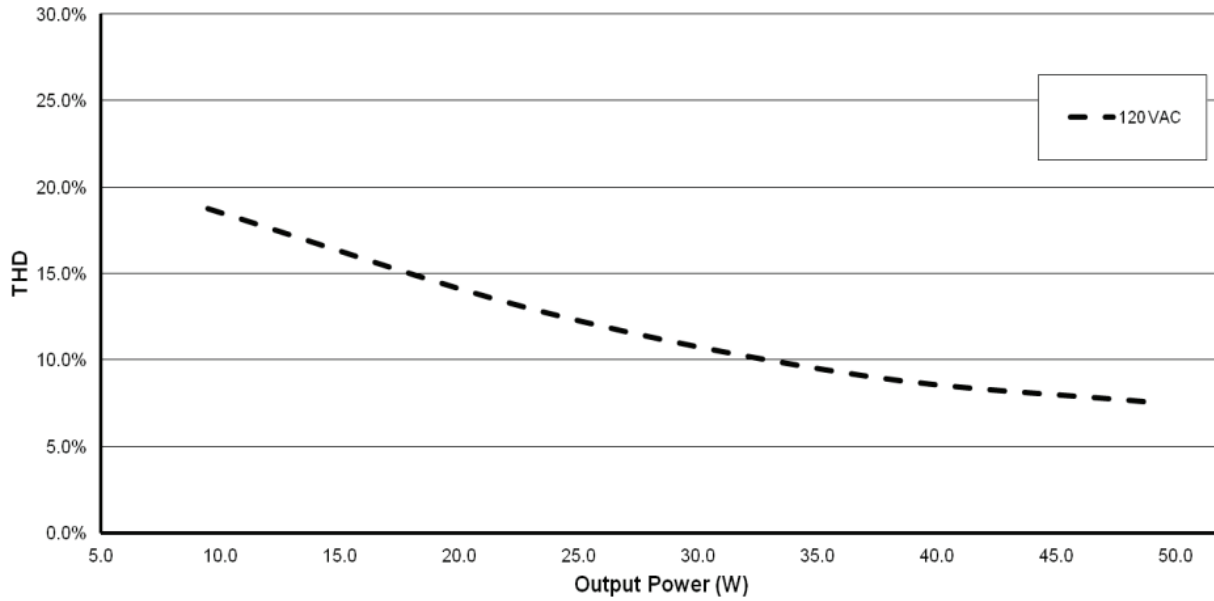
---

## Typical Power Factor



---

## Typical THD



---

## Warranty

eldoLED OPTOTRONIC® Products are covered by a 5-year limited warranty.  
Complete warranty terms can be found at: [www.eldoled.com/legal/terms-and-conditions](http://www.eldoled.com/legal/terms-and-conditions)

### eldoLED

One Lithonia Way  
Conyers, GA 30012  
United States

+1 877 353 6533

nasupport@eldoLED.com  
www.eldoLED.com

51598 10-21

©2021 Acuity Brands Lighting, Inc.  
Specifications subject to change without notice. Actual performance may differ as a result of end-user environment and application.