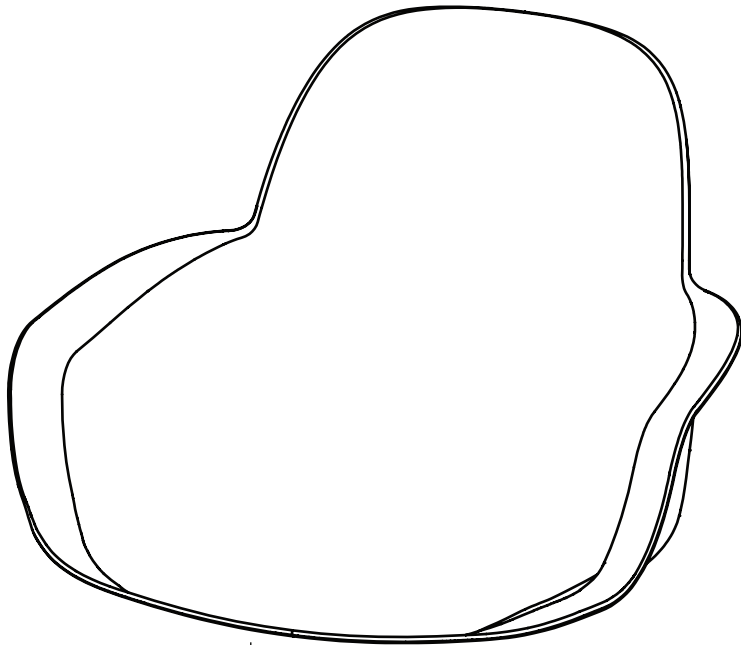


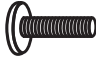
# Assembly Instruction

# ZUIVER<sup>o</sup>

## COMPONENT PARTS

## FITTINGS

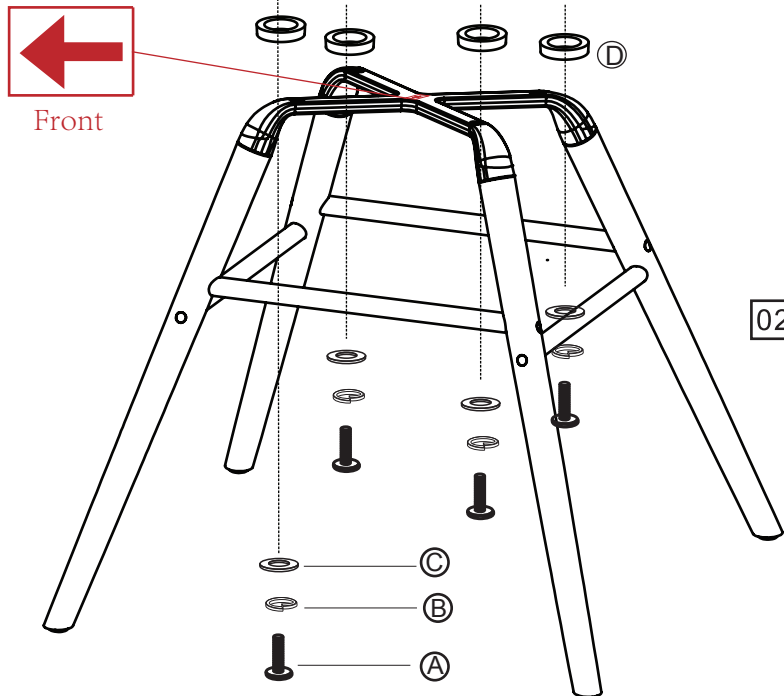


Ⓐ  \*4

Ⓑ  \*4

Ⓒ  \*4

Ⓓ  \*4



## COMPONENT CHECKLIST

PART	No.	Qty.	
Seat	01	1	<input type="checkbox"/>
Leg	02	1	<input type="checkbox"/>

## TOOLS REQUIRED



Allen key (supplied)

