



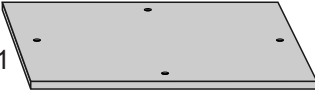


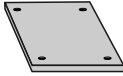
# ASSEMBLY INSTRUCTION

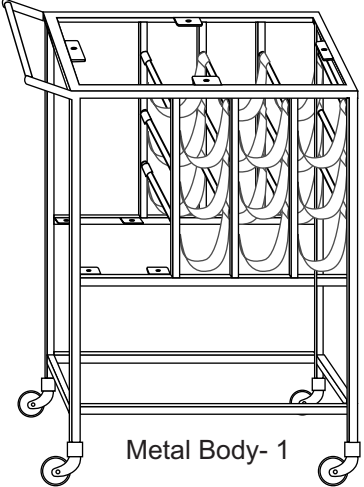
**1**

## Components

1- Key  x8  x8

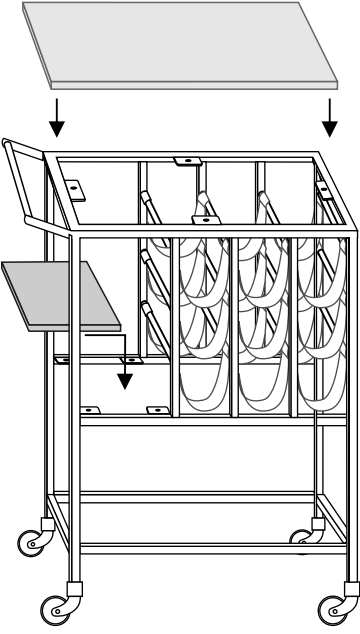
Large Marble- 1 

Small Marble- 1 

Metal Body- 1 

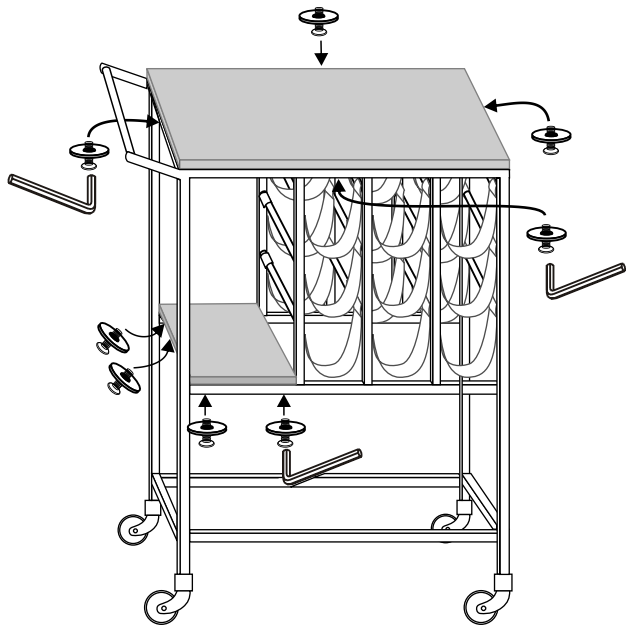
This diagram shows the components for step 1. It includes a list of parts: 1 Key, 8 Washers, 8 Keys, 1 Large Marble, 1 Small Marble, and 1 Metal Body. The Metal Body is shown as a wire cart with four wheels and a handle. The Large Marble is a rectangular plate with four holes. The Small Marble is a smaller rectangular plate with four holes. The Keys and Washers are small hardware items.

**2**



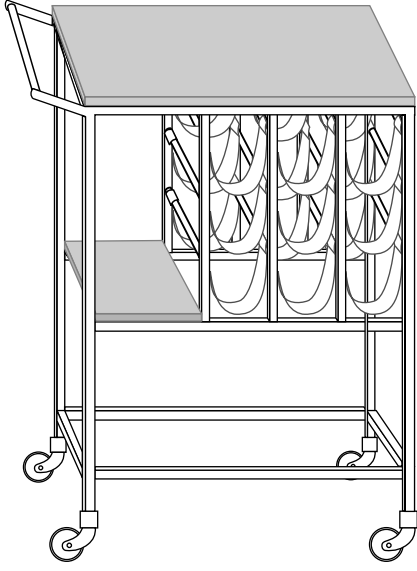
This diagram illustrates the second step of assembly. It shows the Metal Body from step 1 with the Large Marble being placed on top. Two arrows point downwards from the Large Marble to the top of the Metal Body, indicating the placement.

**3**



This diagram illustrates the third step of assembly. It shows the Metal Body with the Large Marble on top. The Small Marble is being placed on the side of the Metal Body. Four keys and four washers are shown being inserted into the holes of the Small Marble to secure it to the Metal Body. Arrows indicate the direction of insertion.

**4**



This diagram illustrates the final step of assembly. It shows the completed assembly, which consists of the Metal Body with the Large Marble on top and the Small Marble secured to the side with keys and washers.