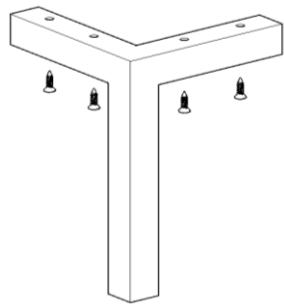
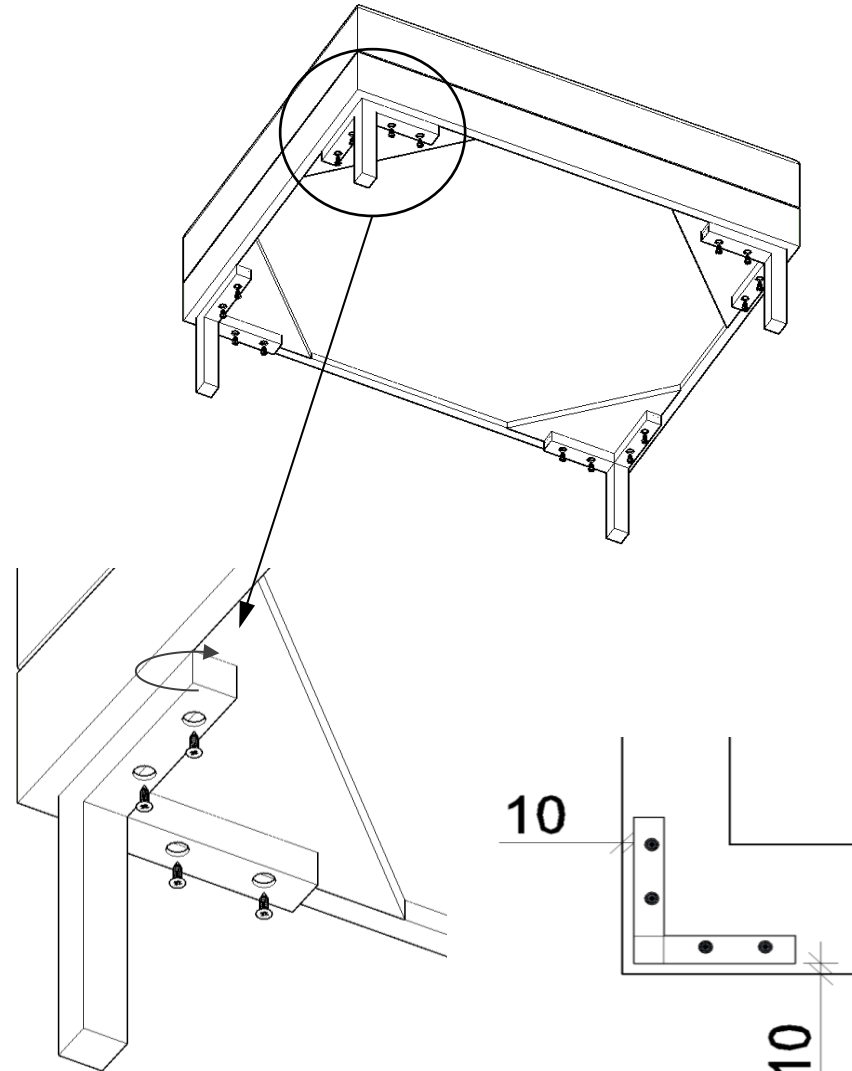
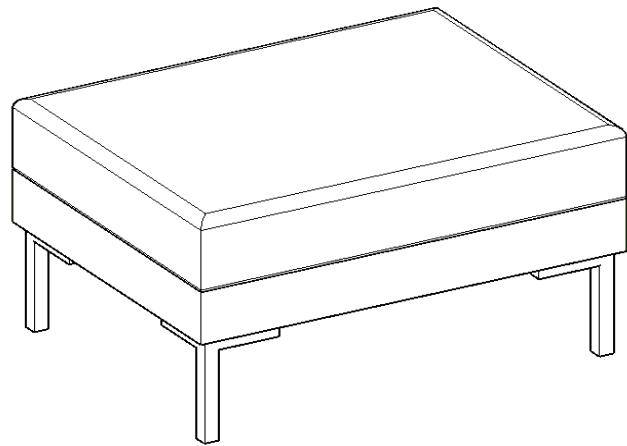
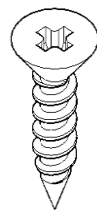


## HOCKER HOUDA assembly instruction



**Leg x 4**



**(5x30) x 16**