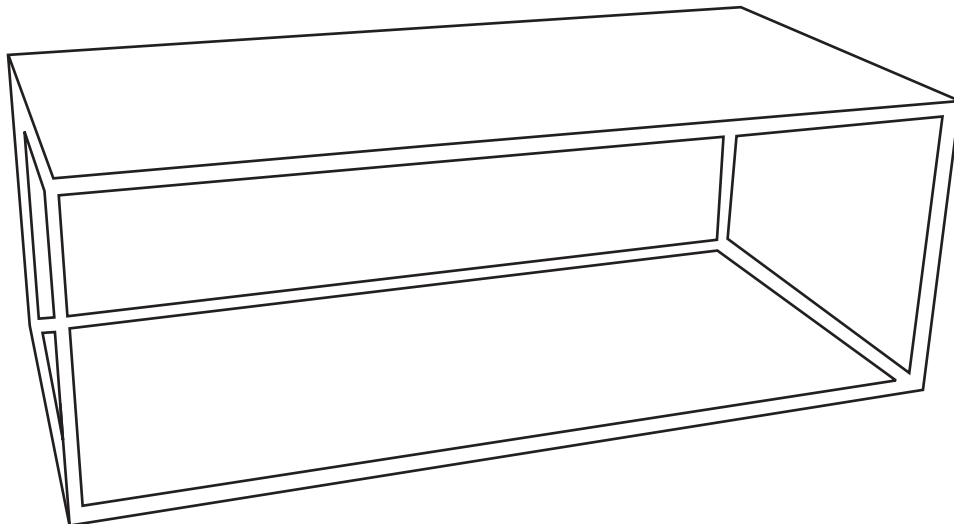




Coffee Table Lee

Thank you for purchasing this Coffee table. Please read the instructions carefully before use to ensure safe and satisfactory use of this product.



Care and maintenance

- A gentle wipe with a lint-free cleaning cloth is all that is required to maintain the finish. Do not use any abrasive cleaning products or spray polishes on this table, as they will alter the finish of the table.
- All spillages must be wiped up immediately.
- Protect surface from scratches and marks by using mats and/or coasters.
- Accessories such as ornaments or lamps, which are placed upon the surface, need to be moved regularly to avoid shading.
- Furniture will endure most temperatures in the modern home. However, it should be positioned as far away from radiators or other direct heat sources as possible.
- The tables should not be used for sitting or standing on.
- Never drag pieces across the floor as this could cause damage to the floor.