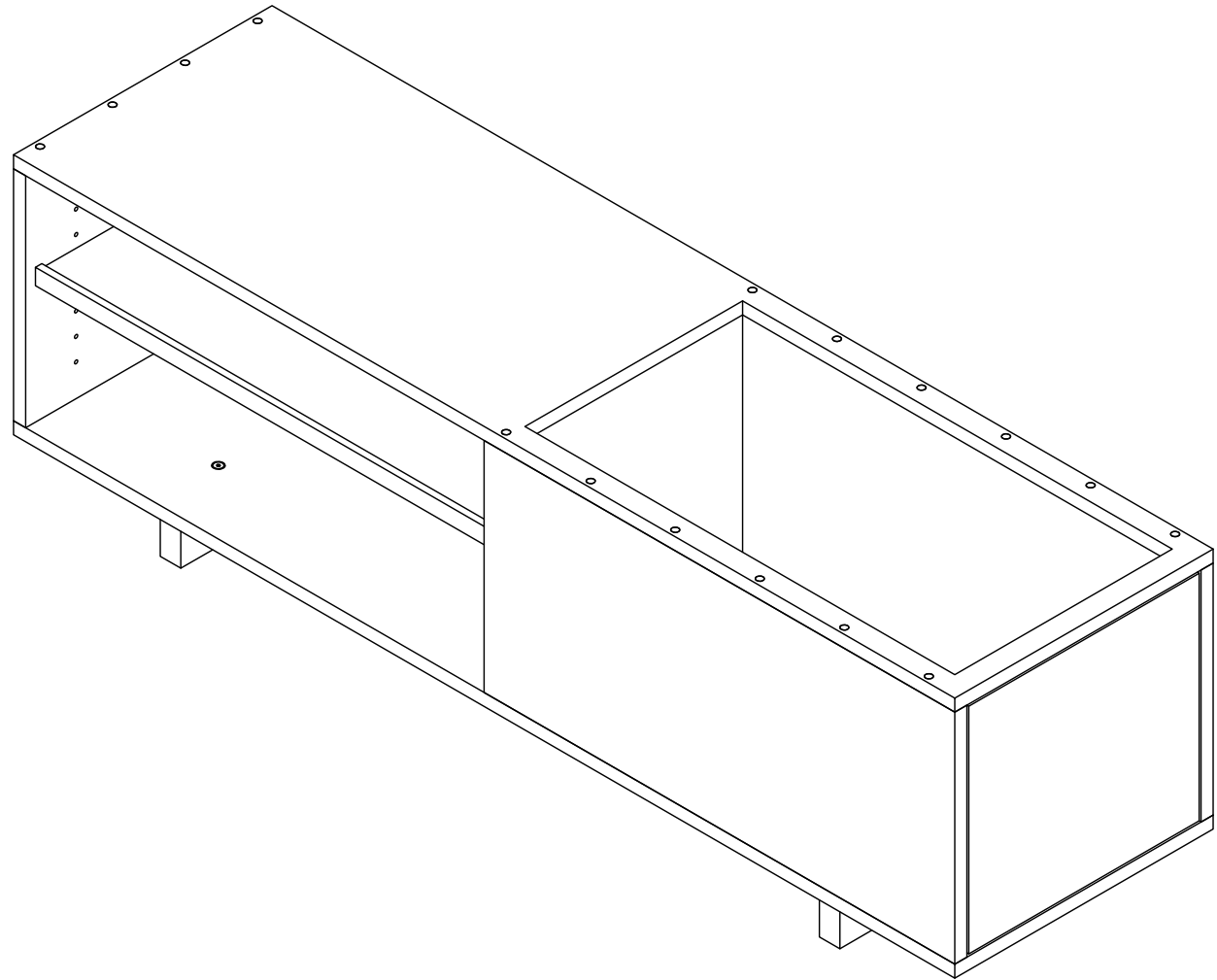


LAXseries

by: VASHstudios

STORAGE BENCH
Assembly Instructions



LAXseries

by: MASHstudios

STORAGE BENCH
Parts List

Helpful Tip:
Separating components into like
groups speeds up the process.



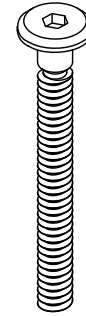
A x 4



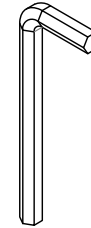
B x 6



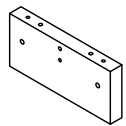
C x 6



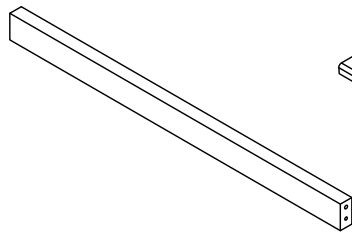
D x 6



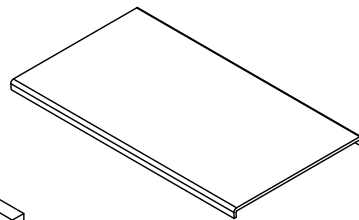
E x 1



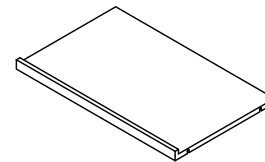
1 x 2



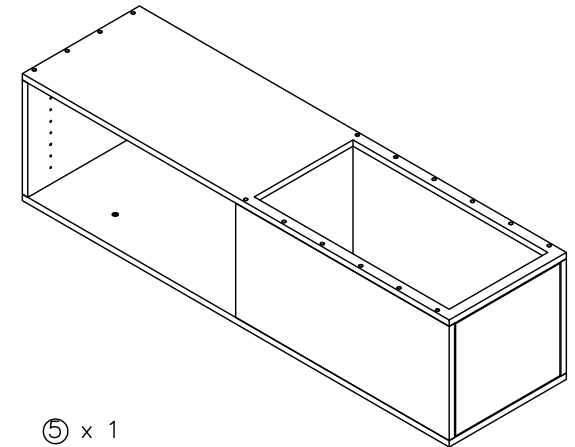
2 x 1



3 x 1

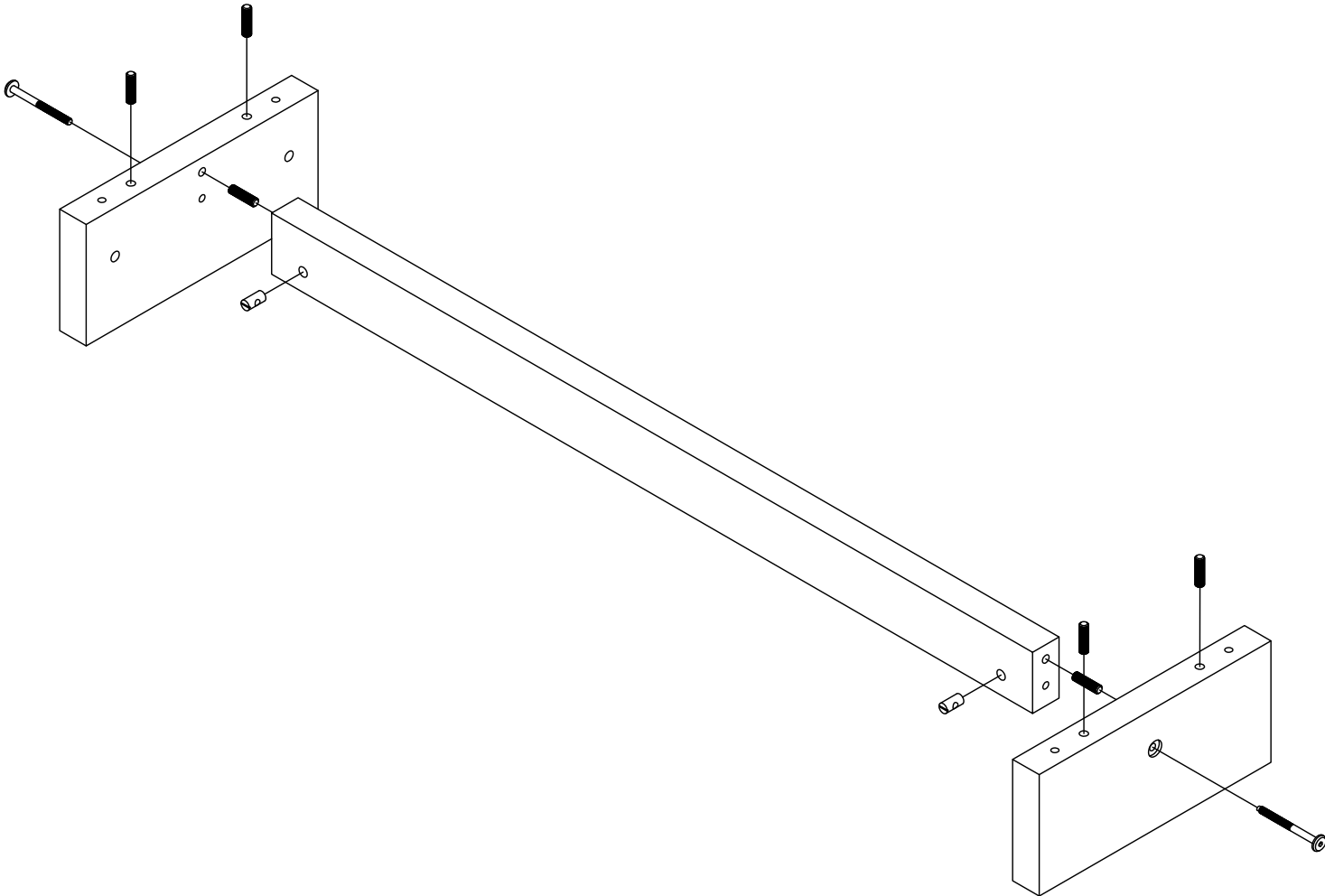
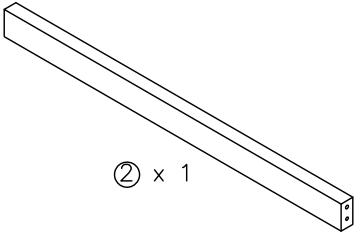
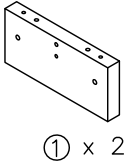
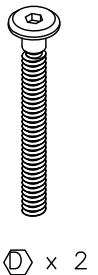
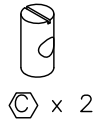
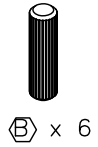


4 x 1



5 x 1

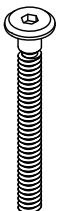
STEP 1



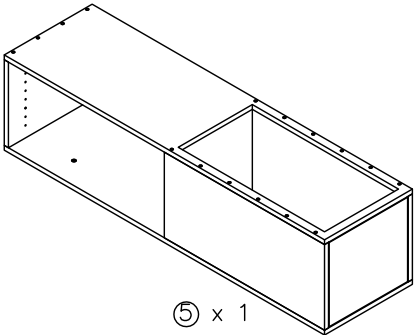
STEP 2



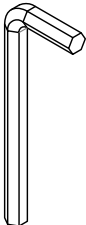
⊕ x 4



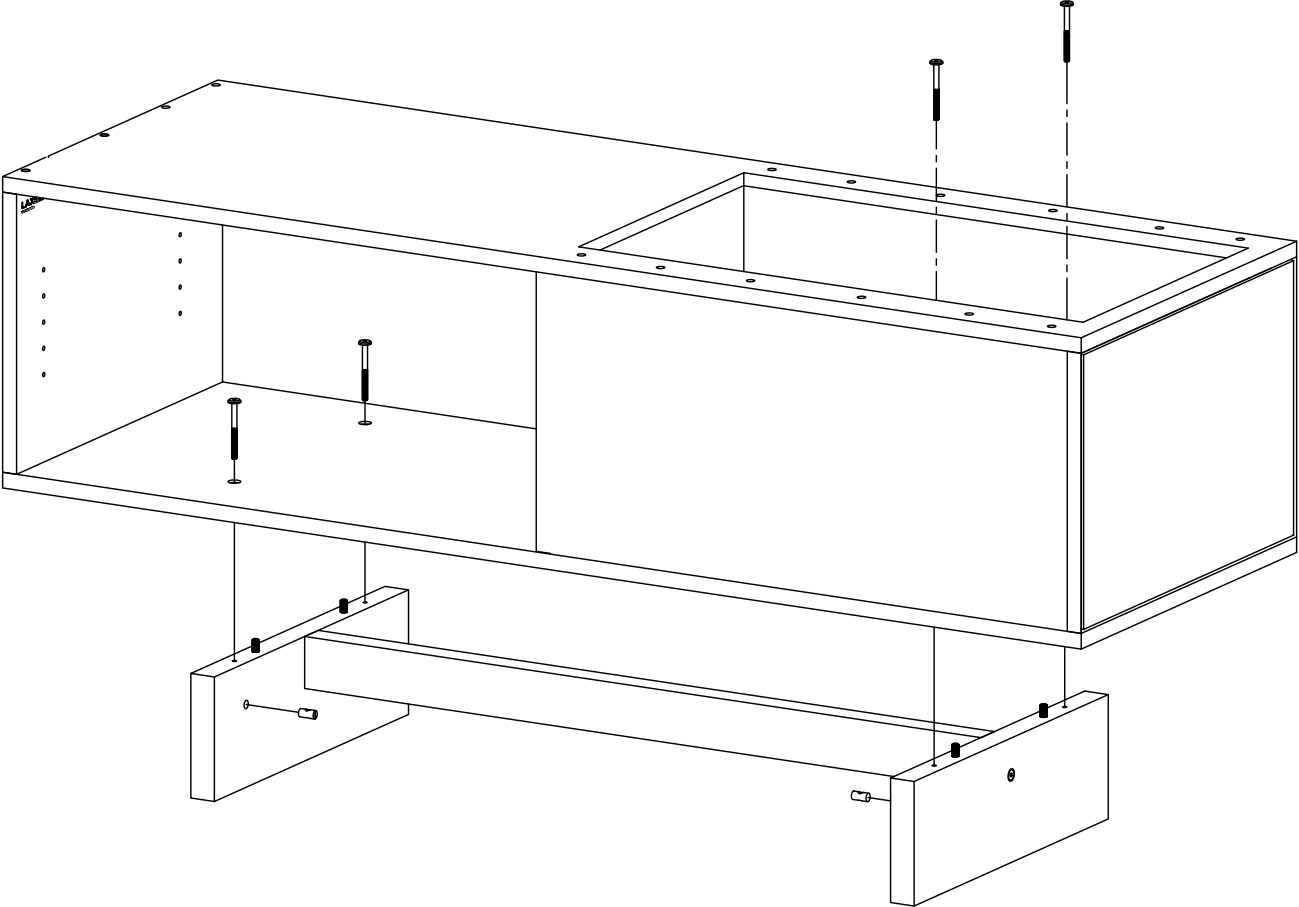
⊕ x 4



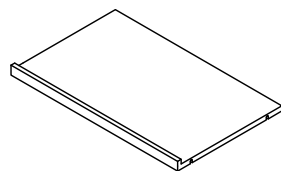
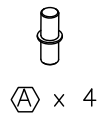
⊕ x 1



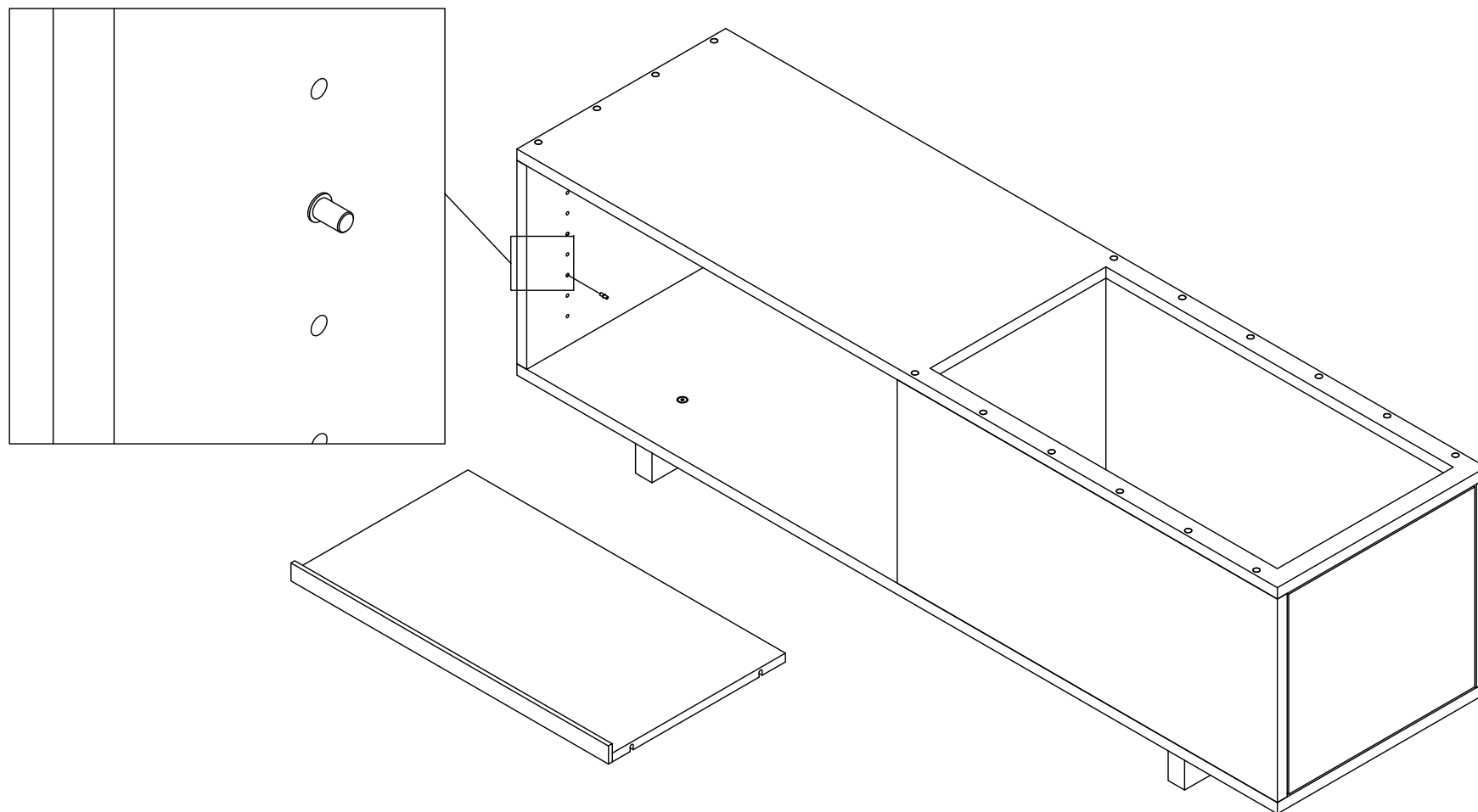
⊕ x 1



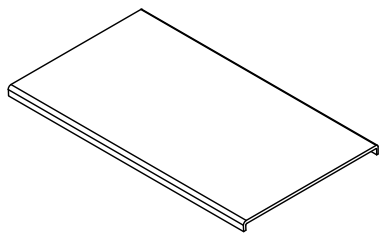
STEP 3



④ x1



STEP 4



③ x 1

