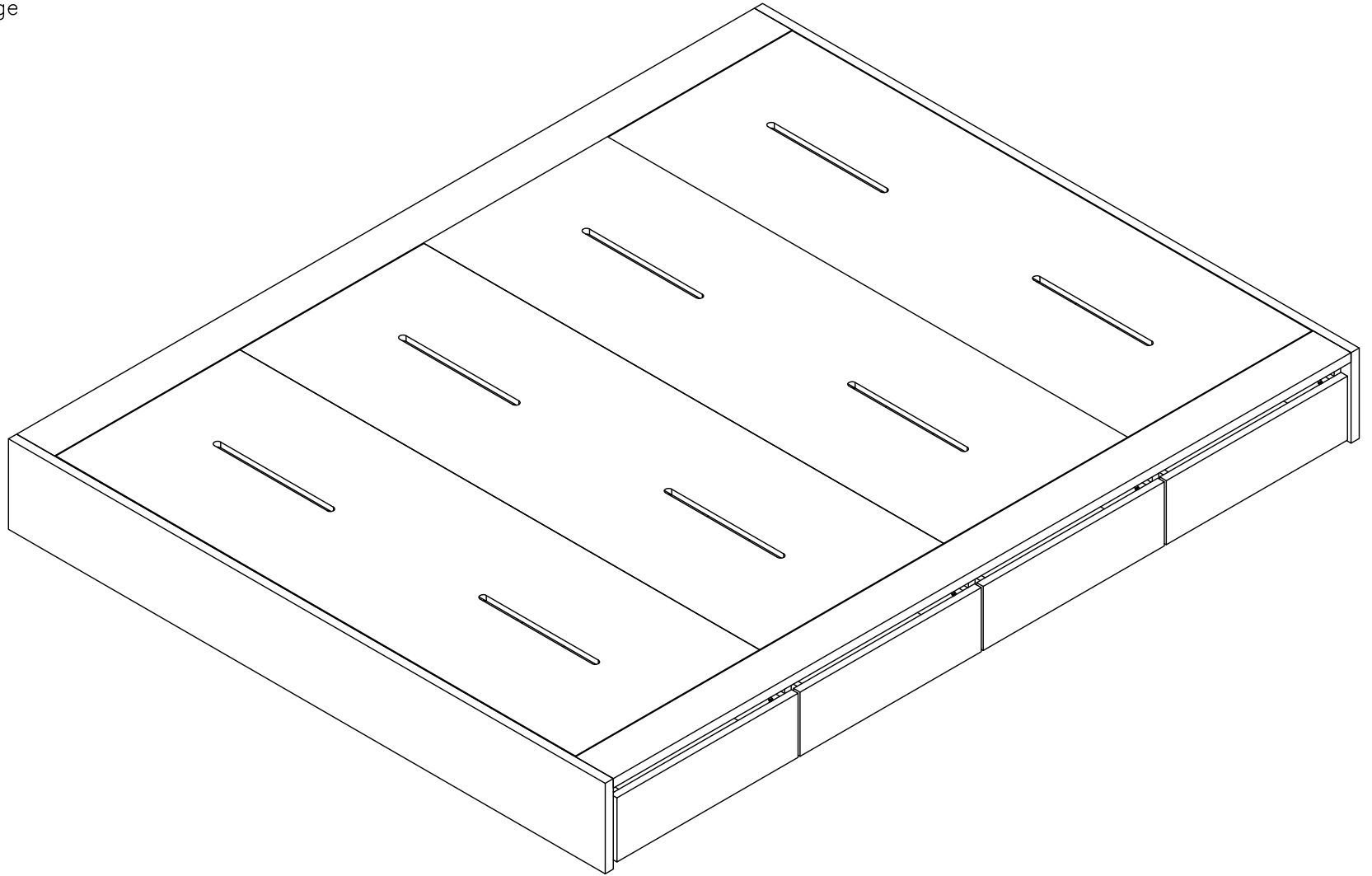


LAXseries

by: VASHstudios

K Platform with Storage
Assembly Instructions

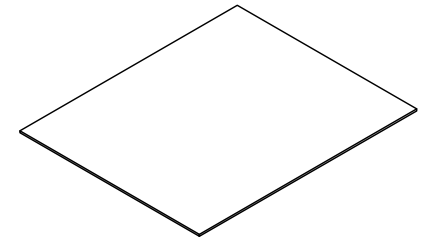
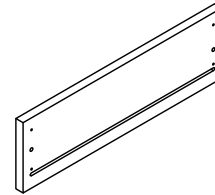
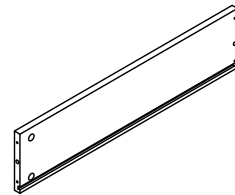
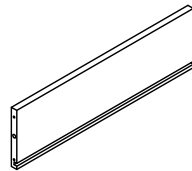
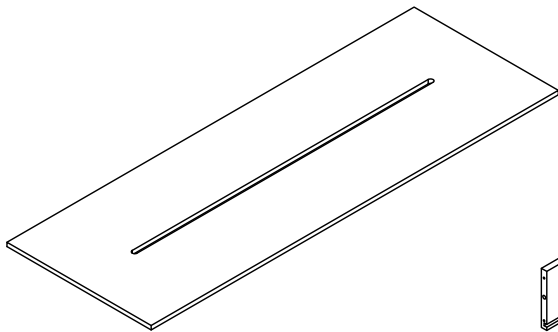
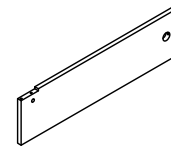
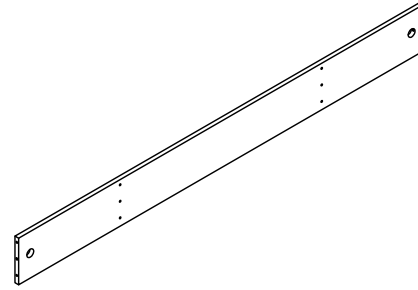
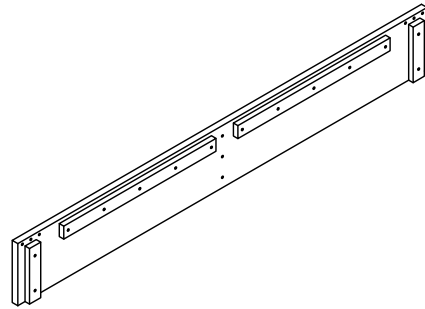
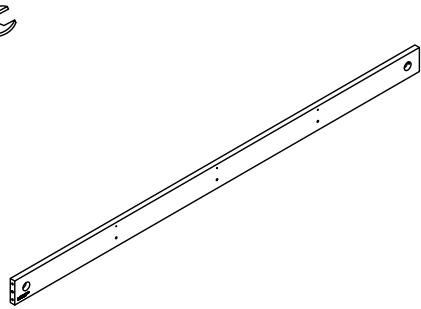
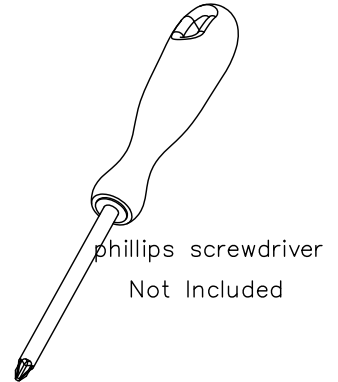
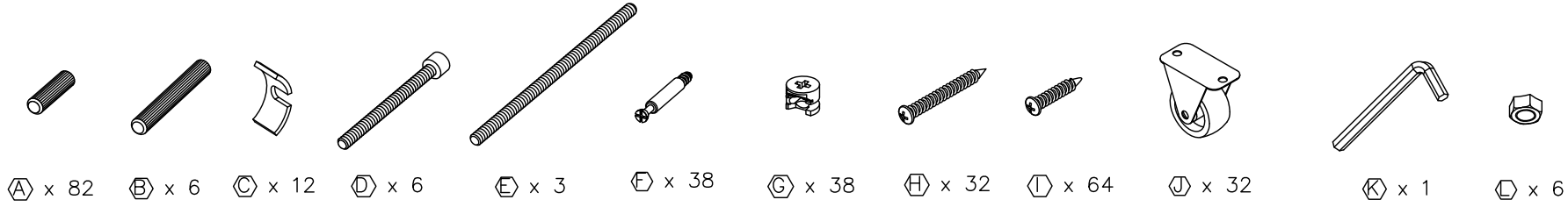


LAXseries

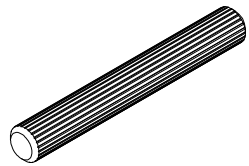
by: MASHstudios

K Platform with Storage
Assembly Instructions

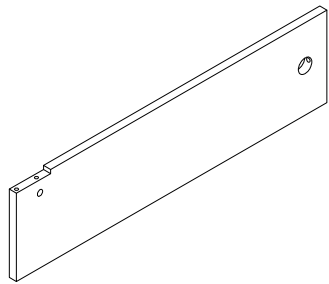
Helpful Tip:
Separating components into like groups, speeds up the process.



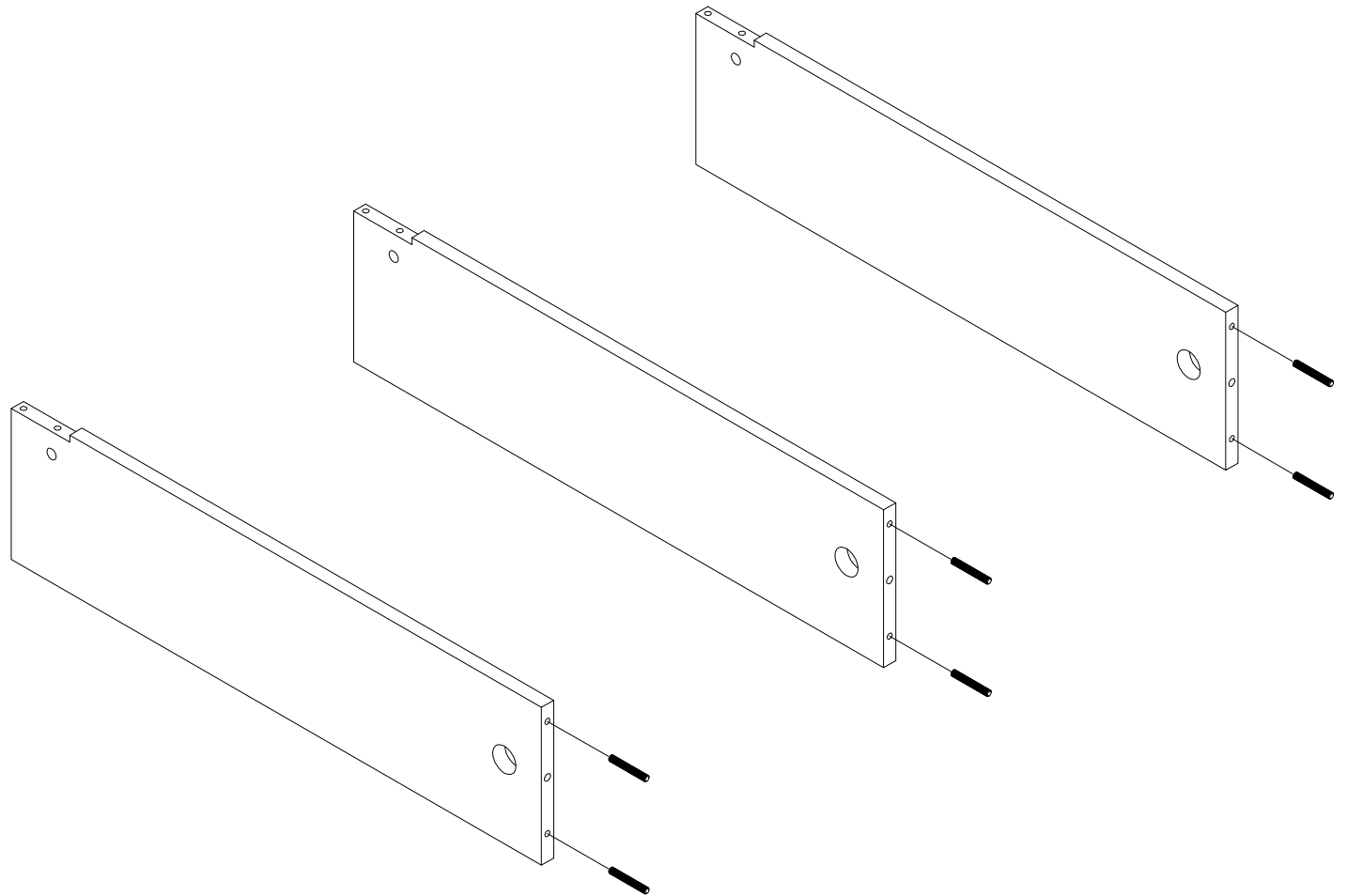
STEP 1



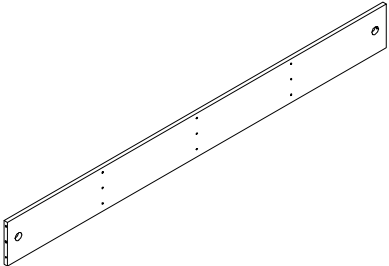
⑤ x 6



④ x 3



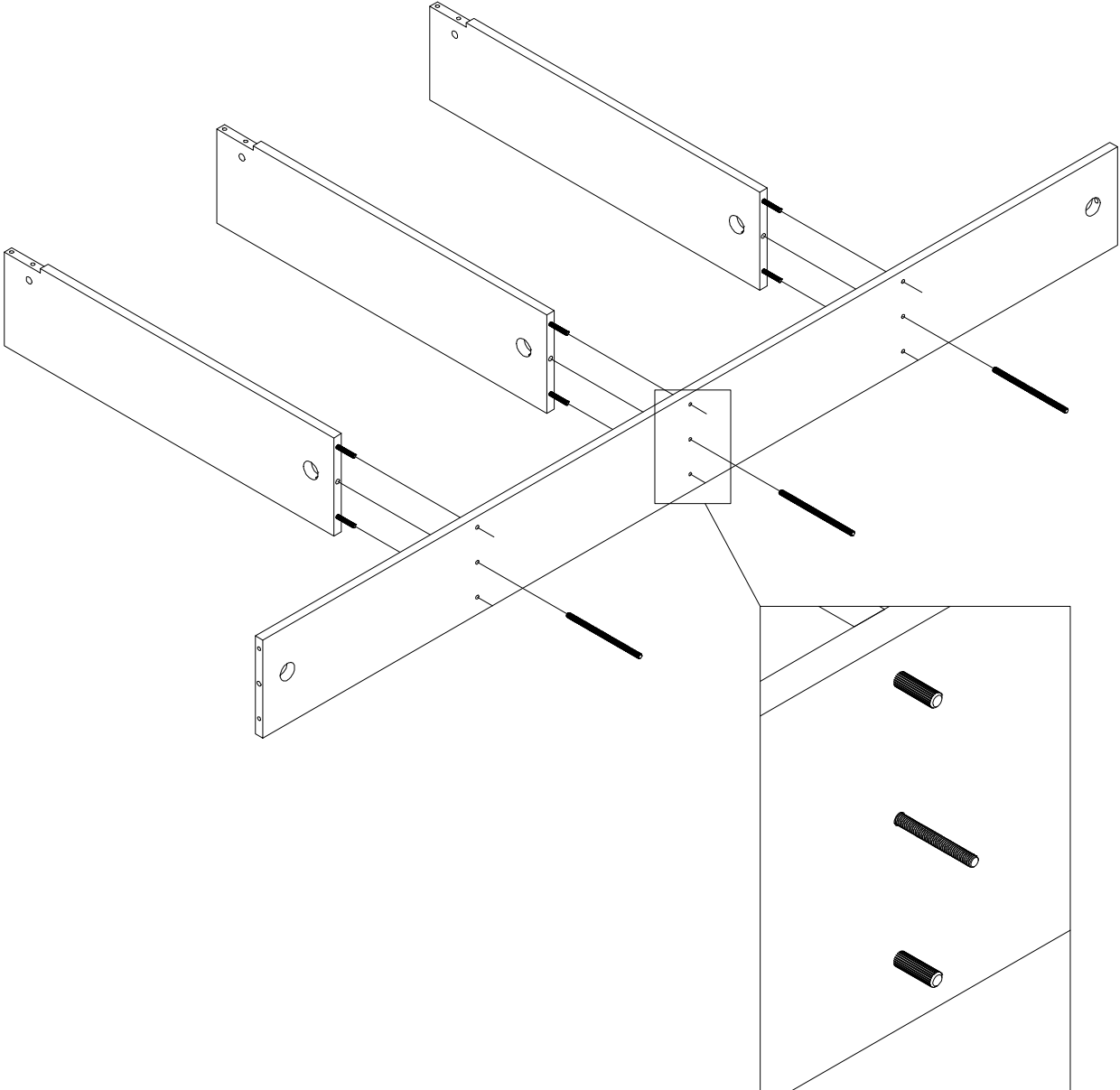
STEP 2



③ x 1



⑥ x 3



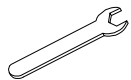
STEP 3



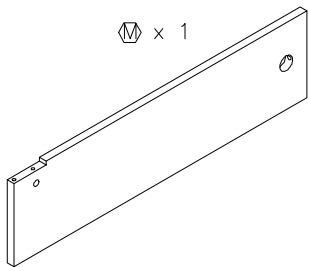
⬡ x 6



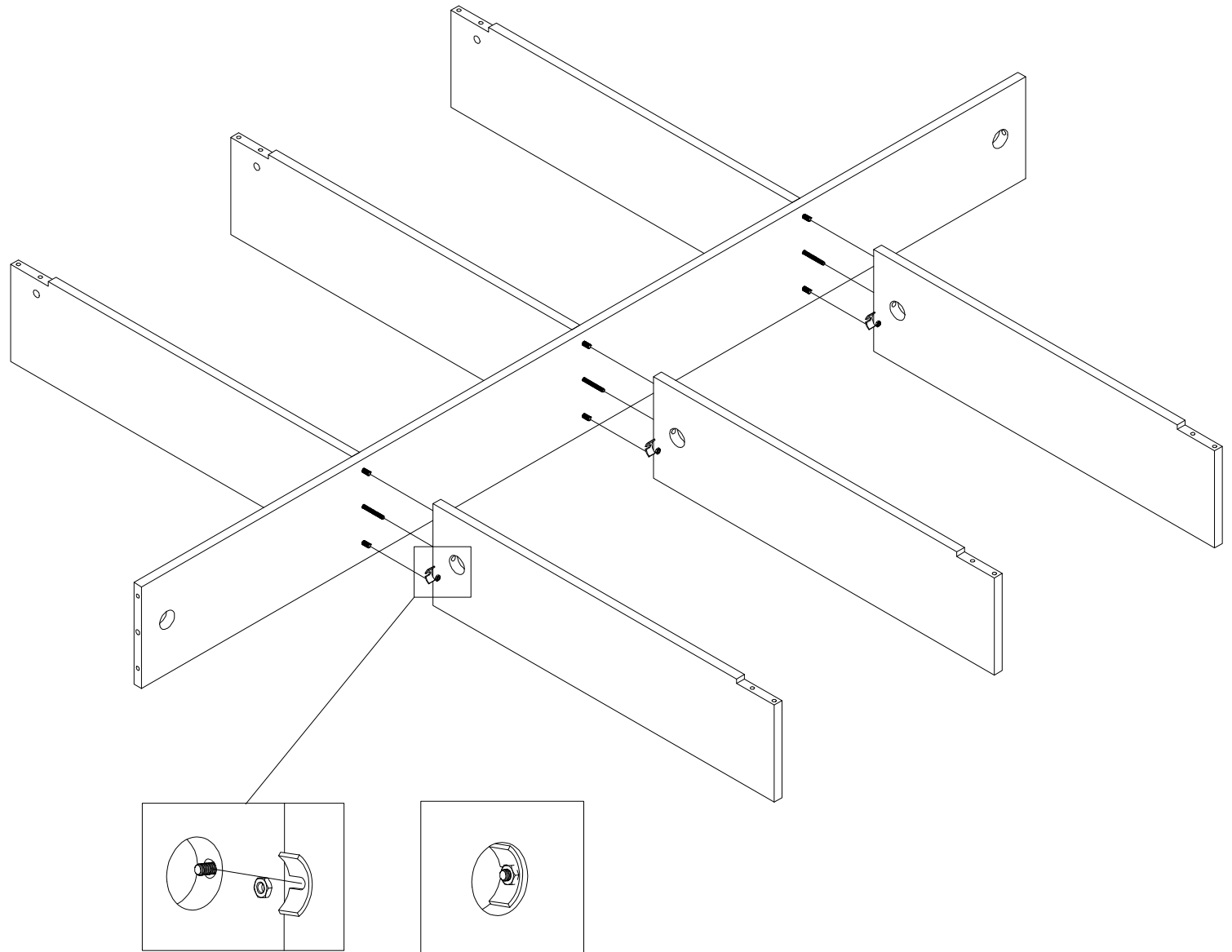
⬡ x 6



⬡ x 1



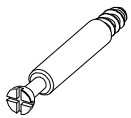
④ x 3



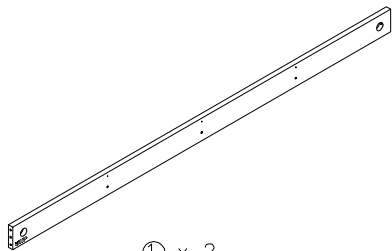
STEP 4



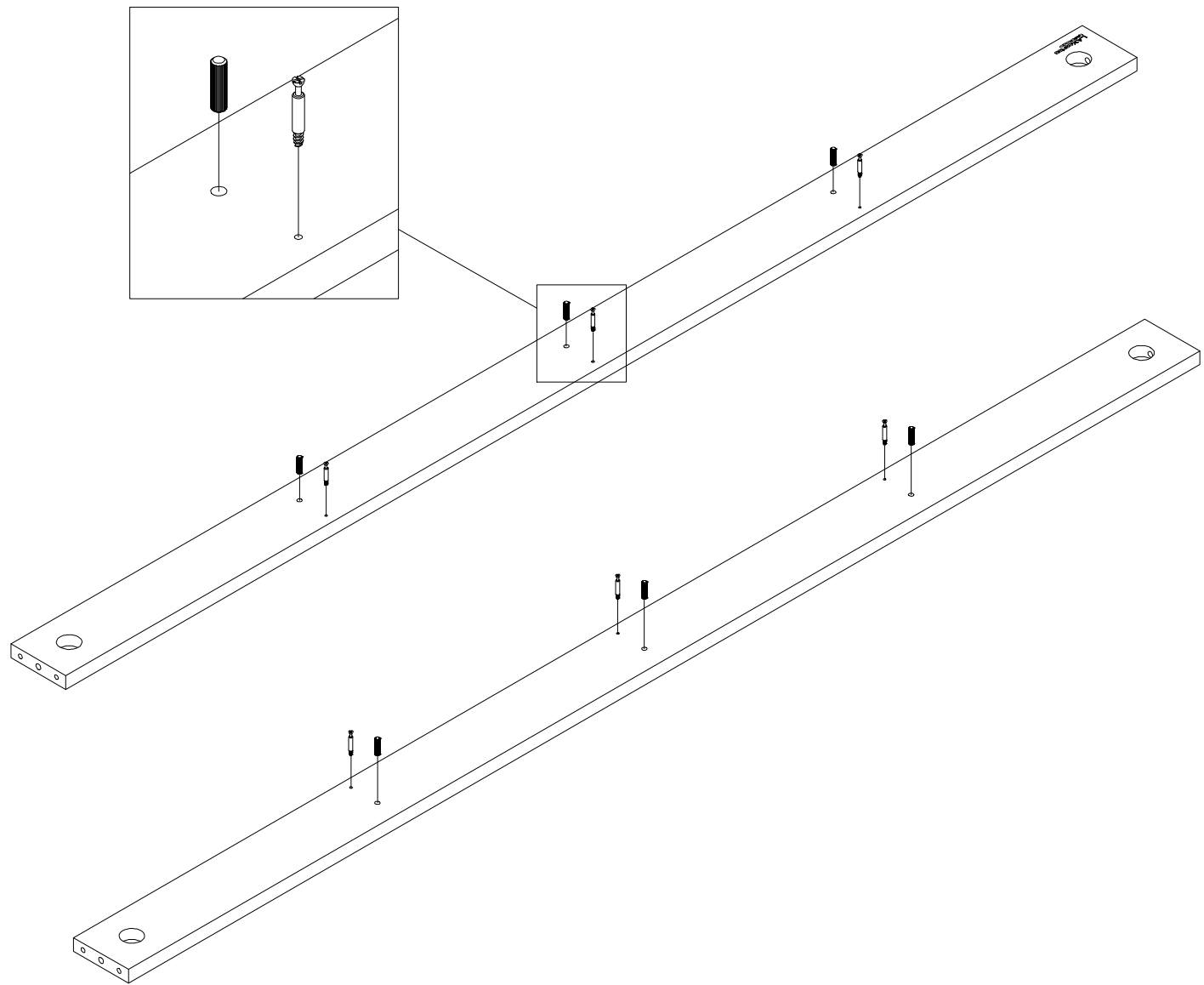
A x 6



B x 6



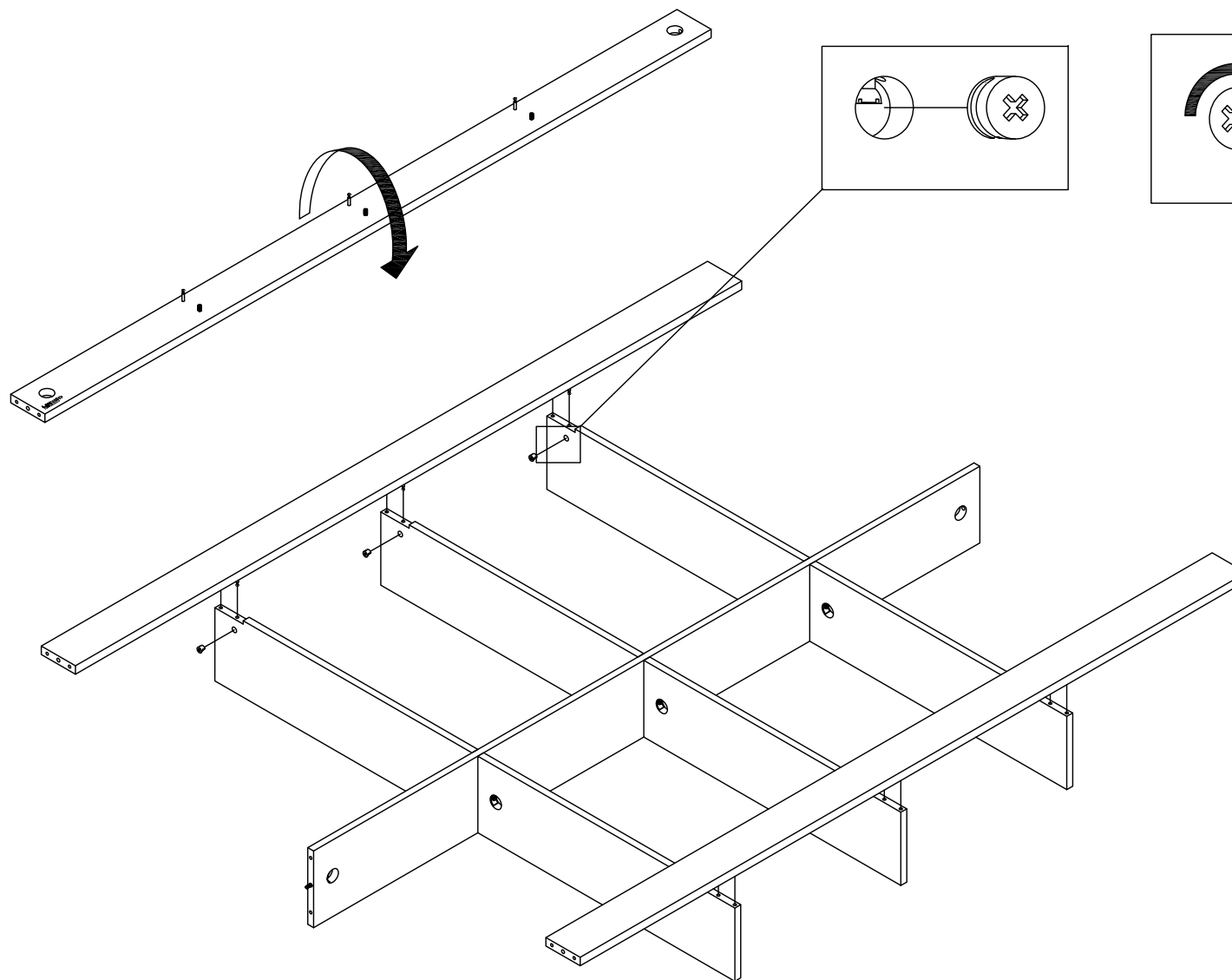
1 x 2



STEP 5



⬡ x 6



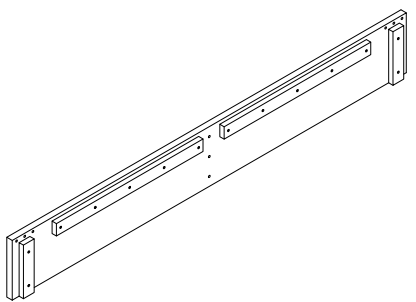
STEP 6



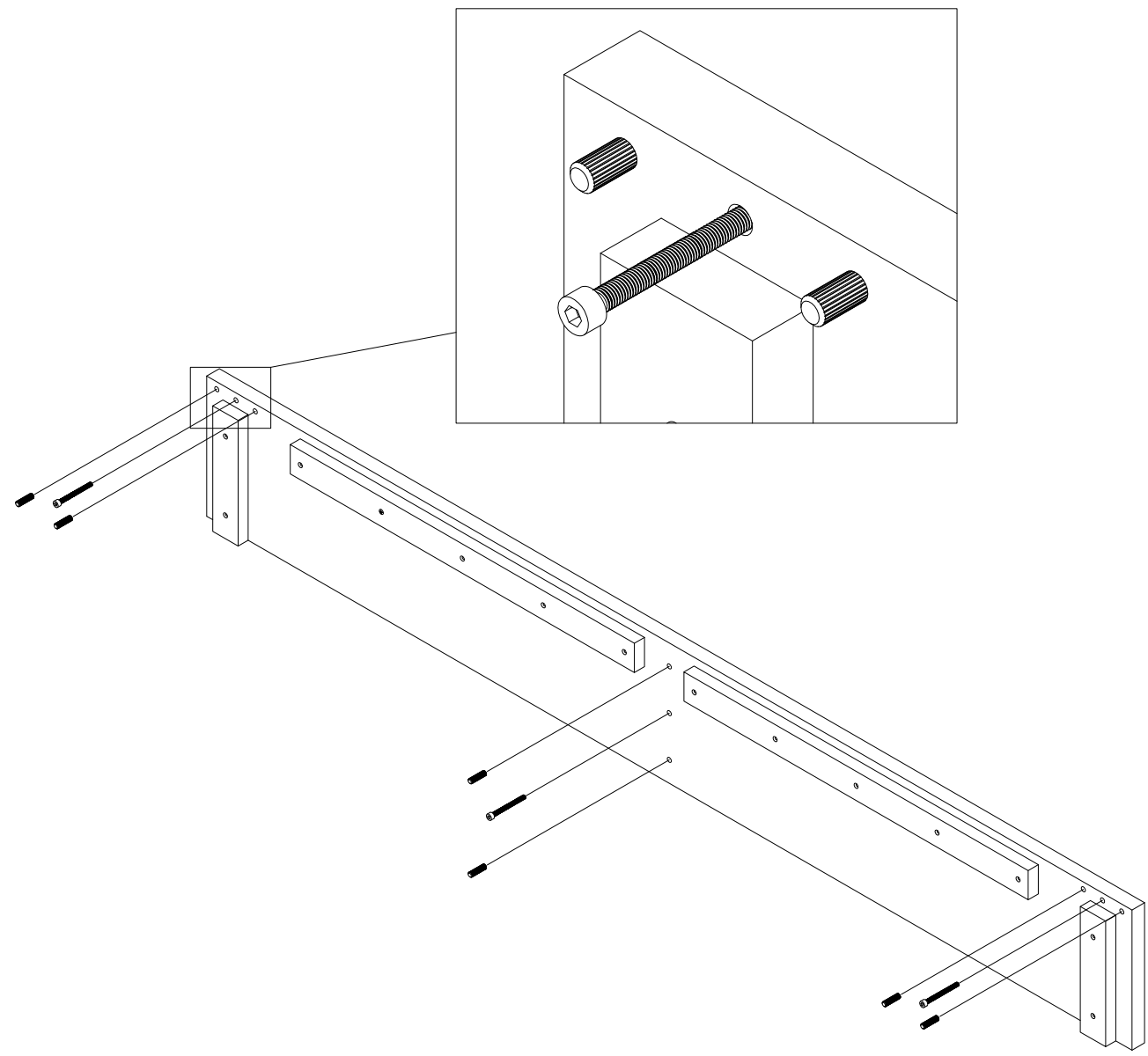
Ⓐ x 12



Ⓓ x 6



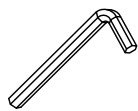
Ⓜ x 2



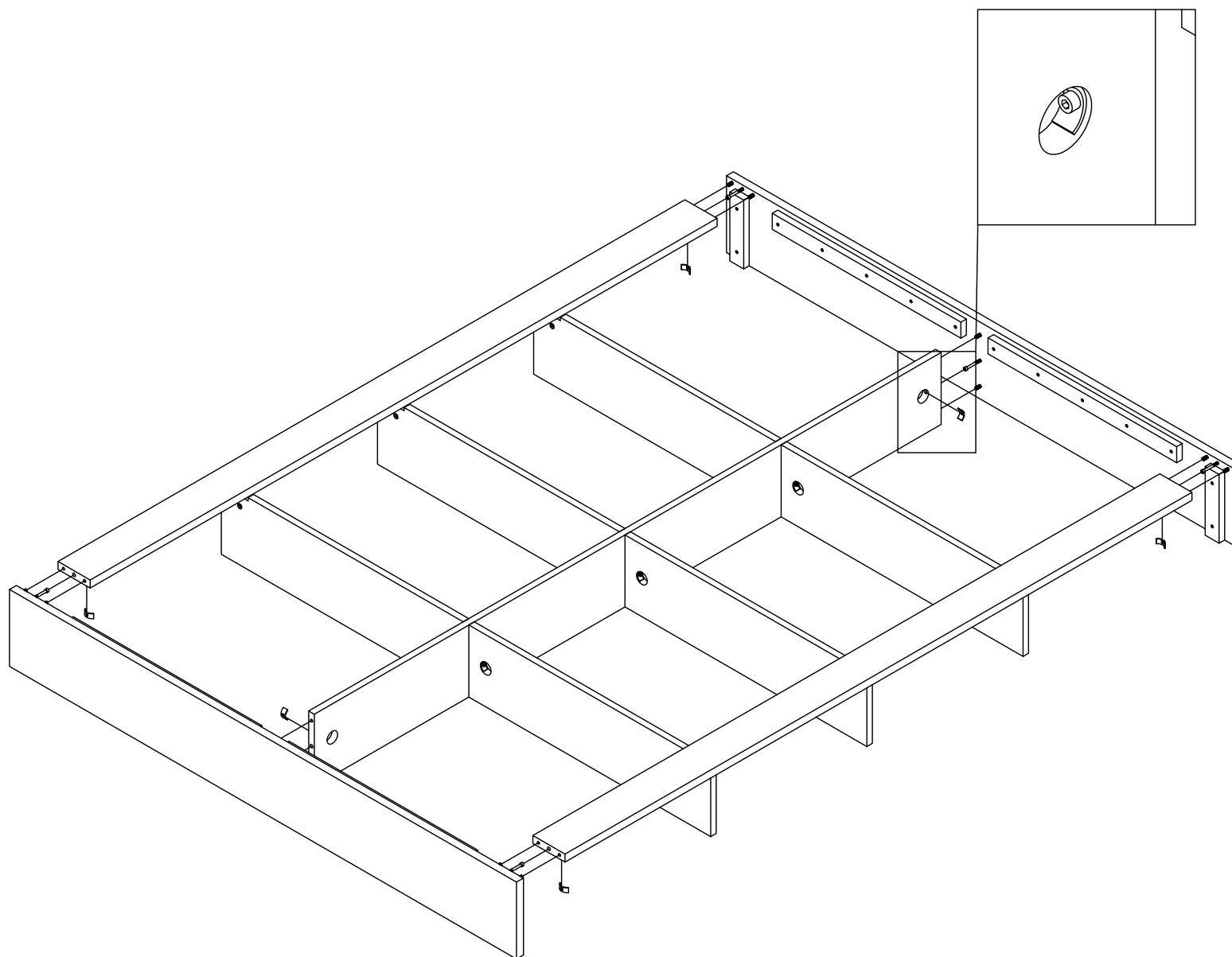
STEP 7



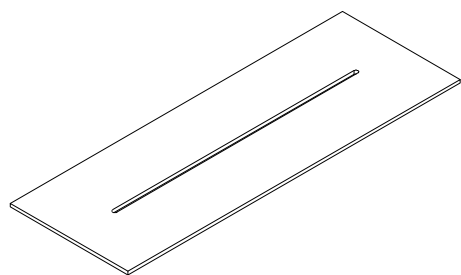
⬡ x 6



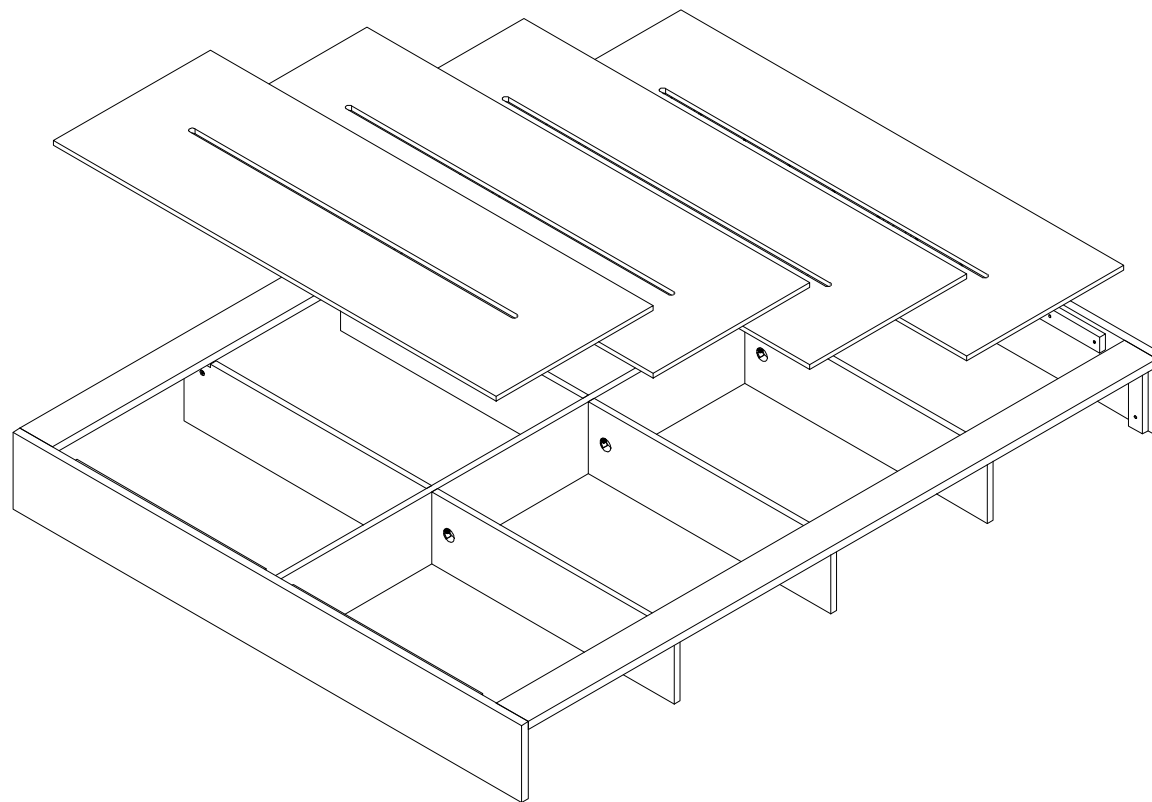
⬡ x 1



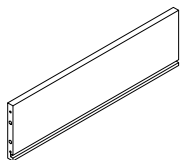
STEP 8



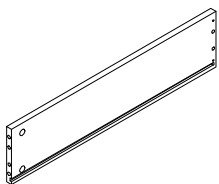
⑤ x 4



STEP 9



⑥ x 1



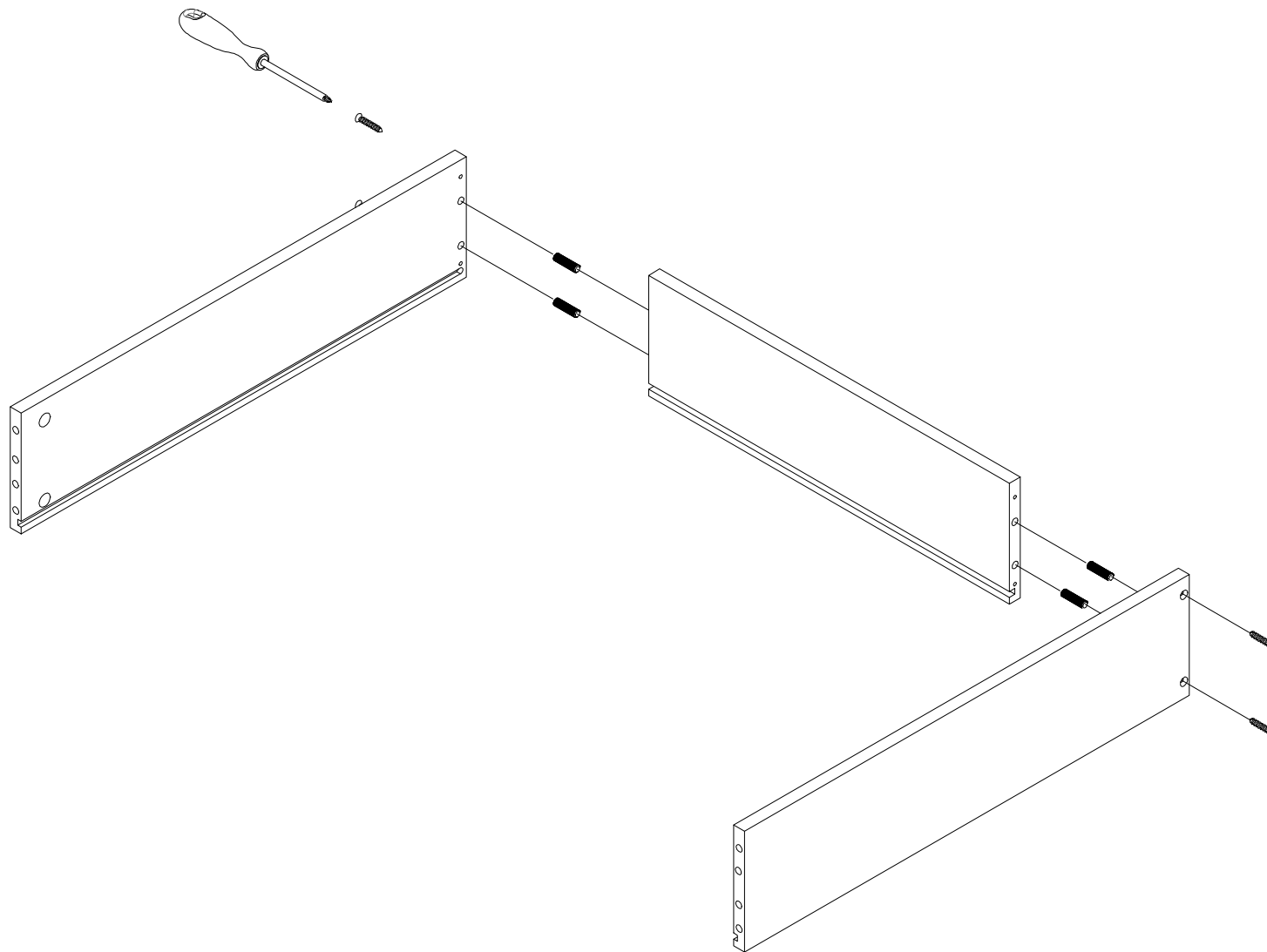
⑦ x 2



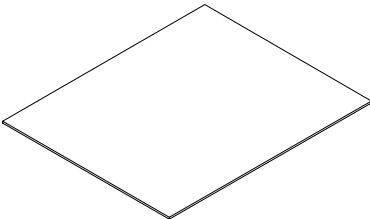
⑧ x 4



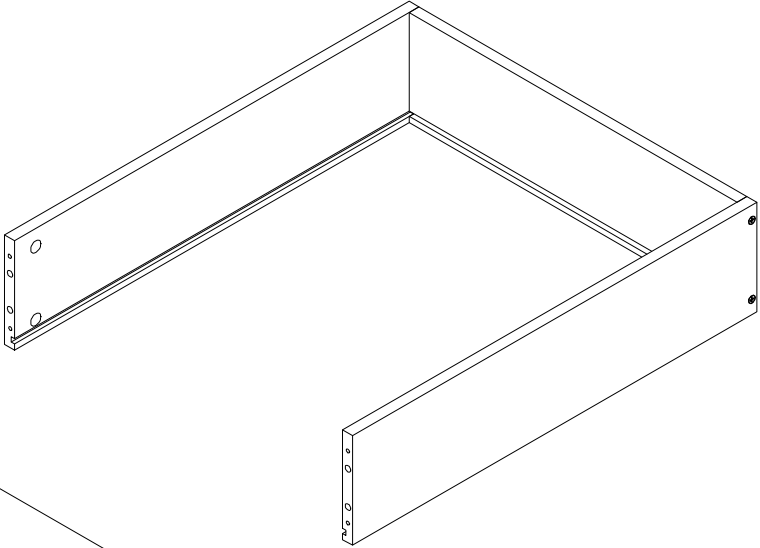
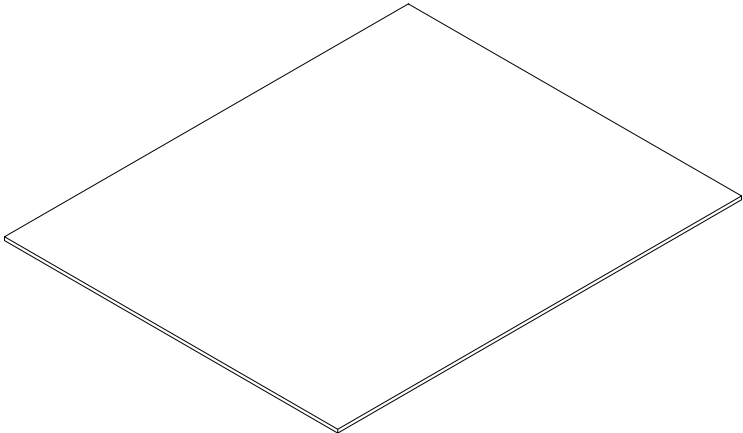
⑨ x 4



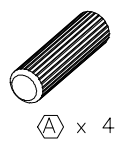
STEP 10



⑨ x 1



STEP 11



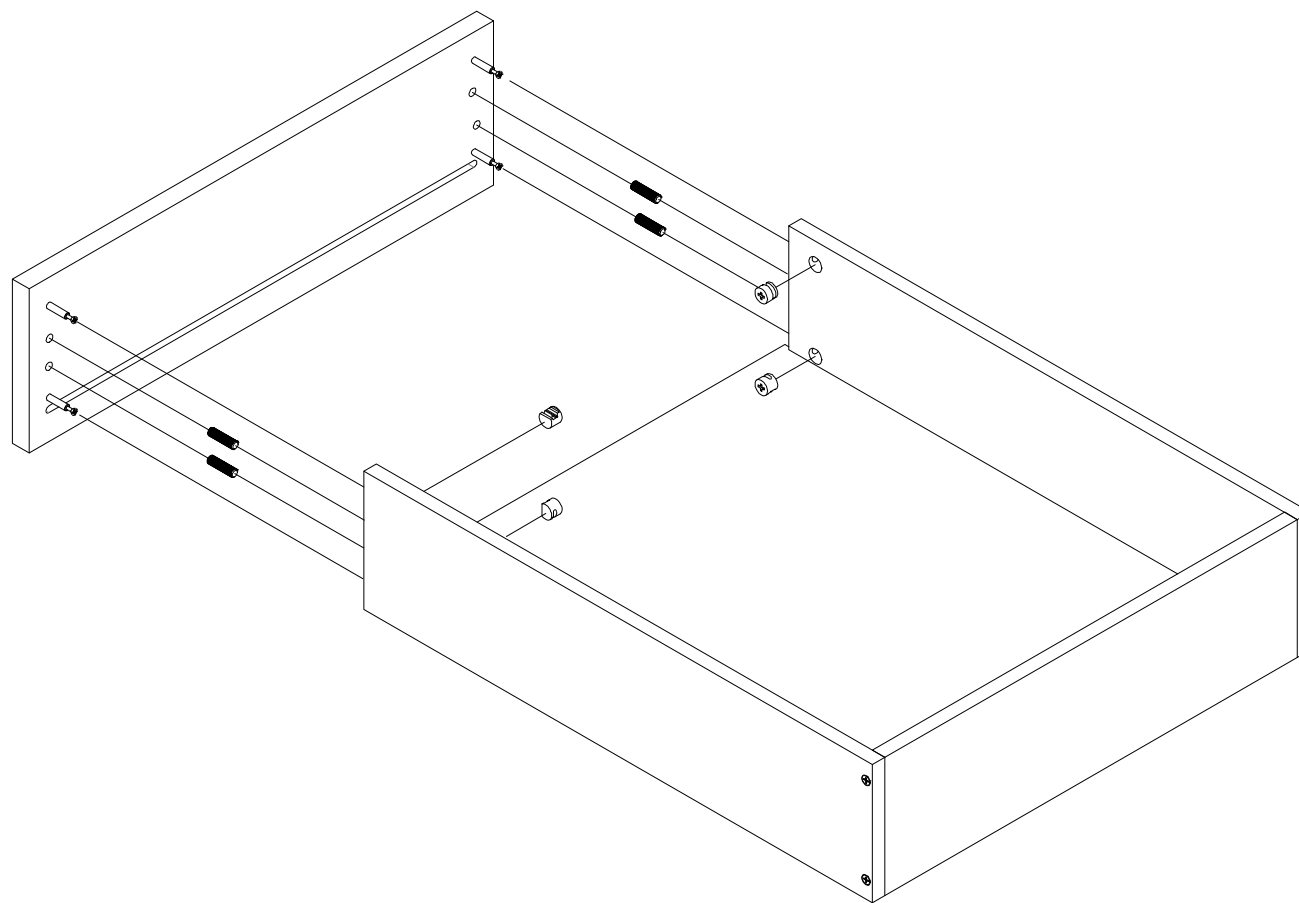
A x 4



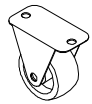
F x 4



G x 4



STEP 12



⌞ x 4



⬡ x 8

