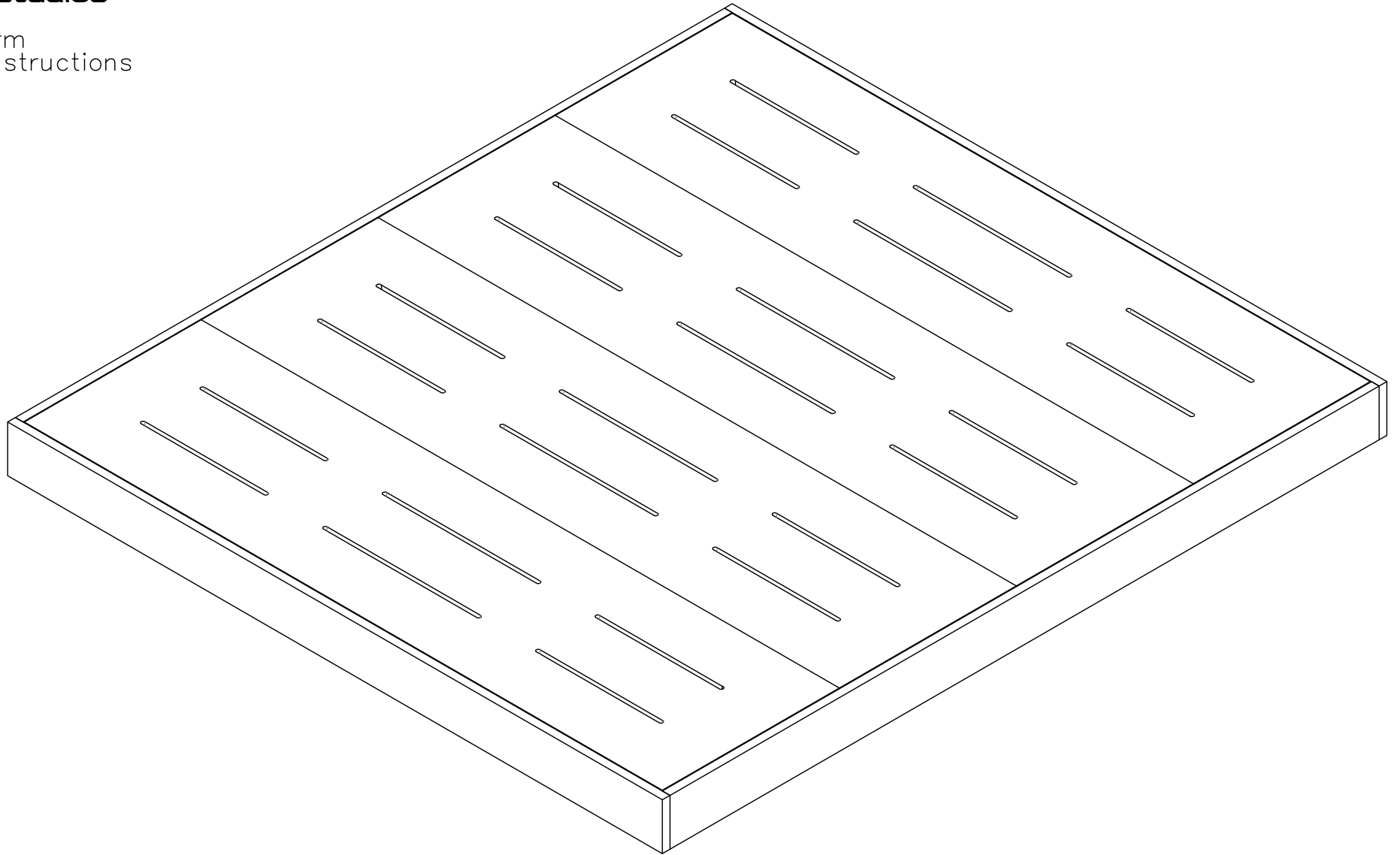


# LAXseries

by: VASHstudios

King Platform  
Assembly Instructions

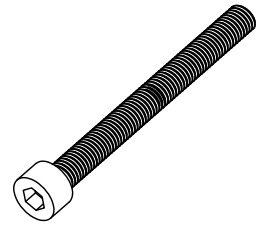


# LAXseries

by: VASHstudios

King Platform  
Assembly Instructions

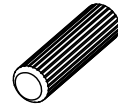
Helpful Tip:  
Separating components into like  
groups speeds up the process.



A x 12



B x 12



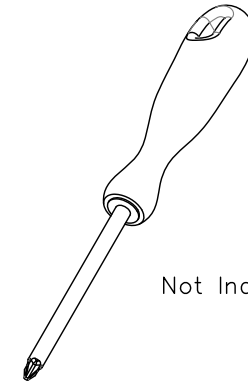
C x 12



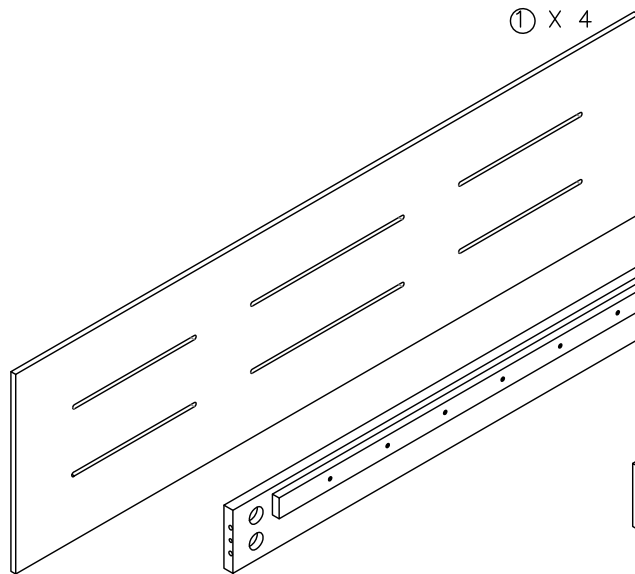
D x 8



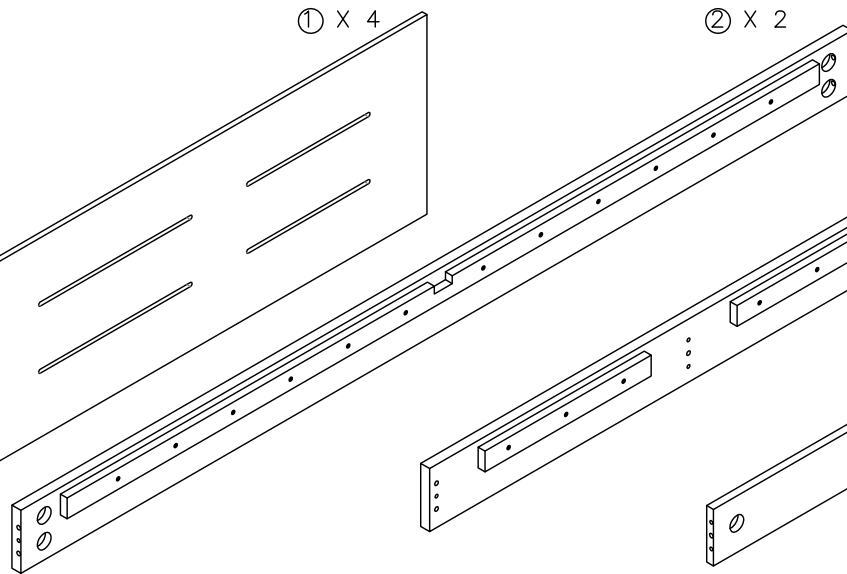
E x 1



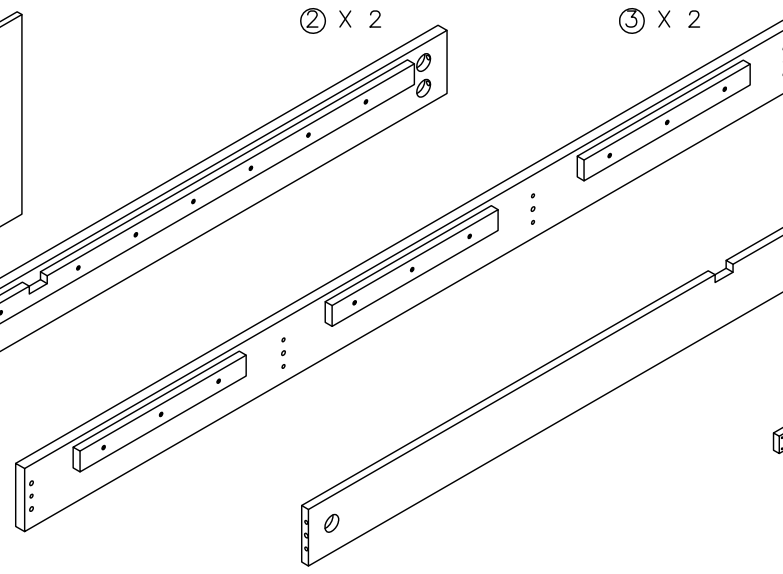
Not Included



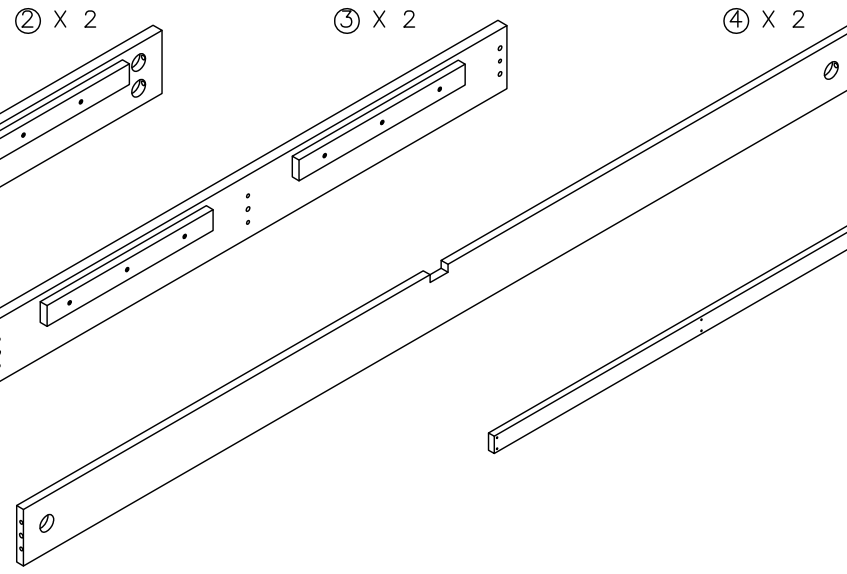
1 x 4



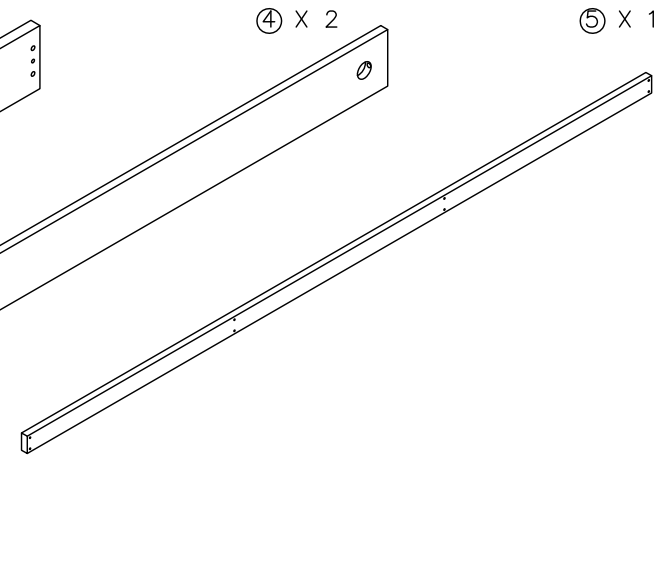
2 x 2



3 x 2



4 x 2



5 x 1

STEP 1



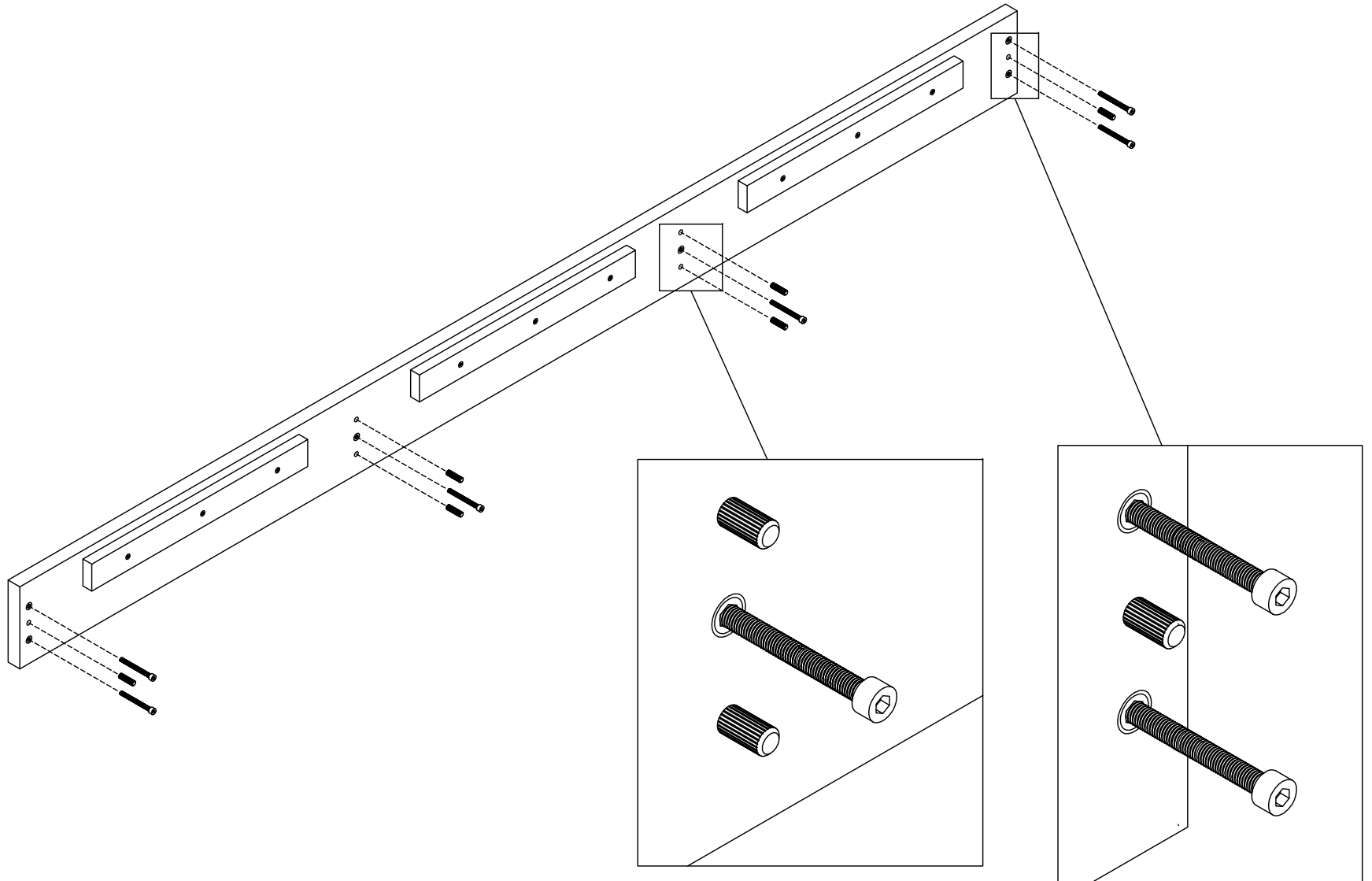
⊕ x 12



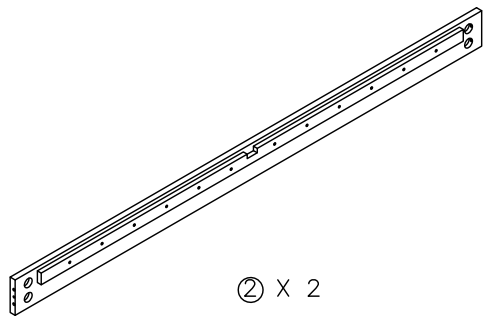
⊕ x 12



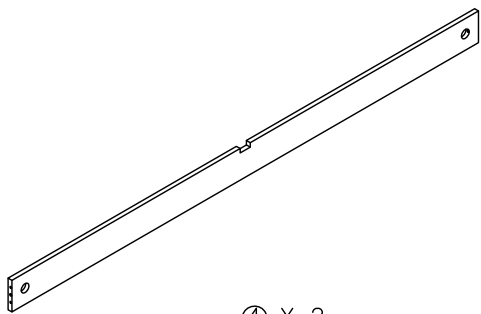
⊙ x 2



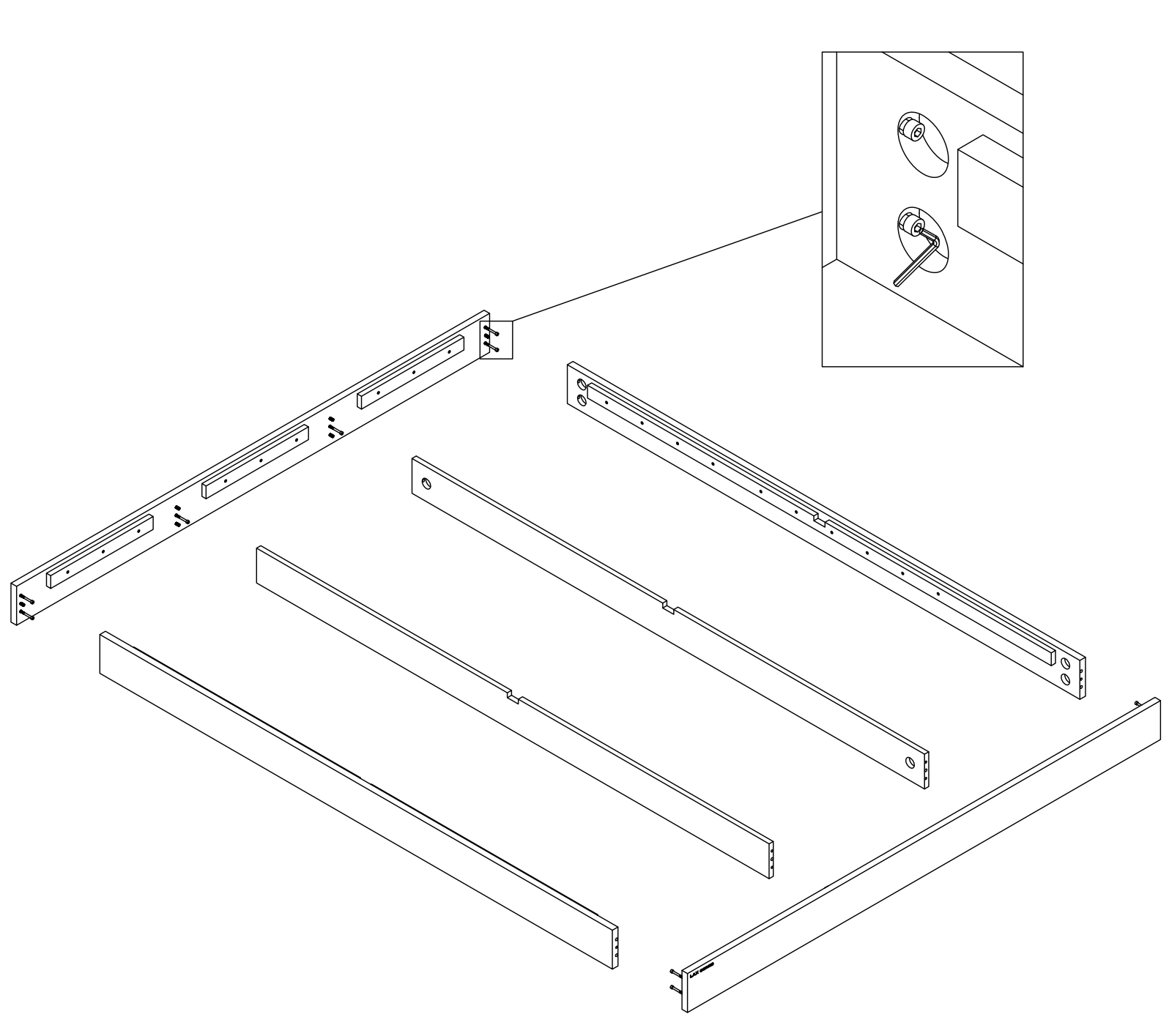
STEP 2



② X 2



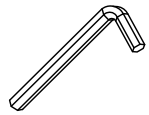
④ X 2



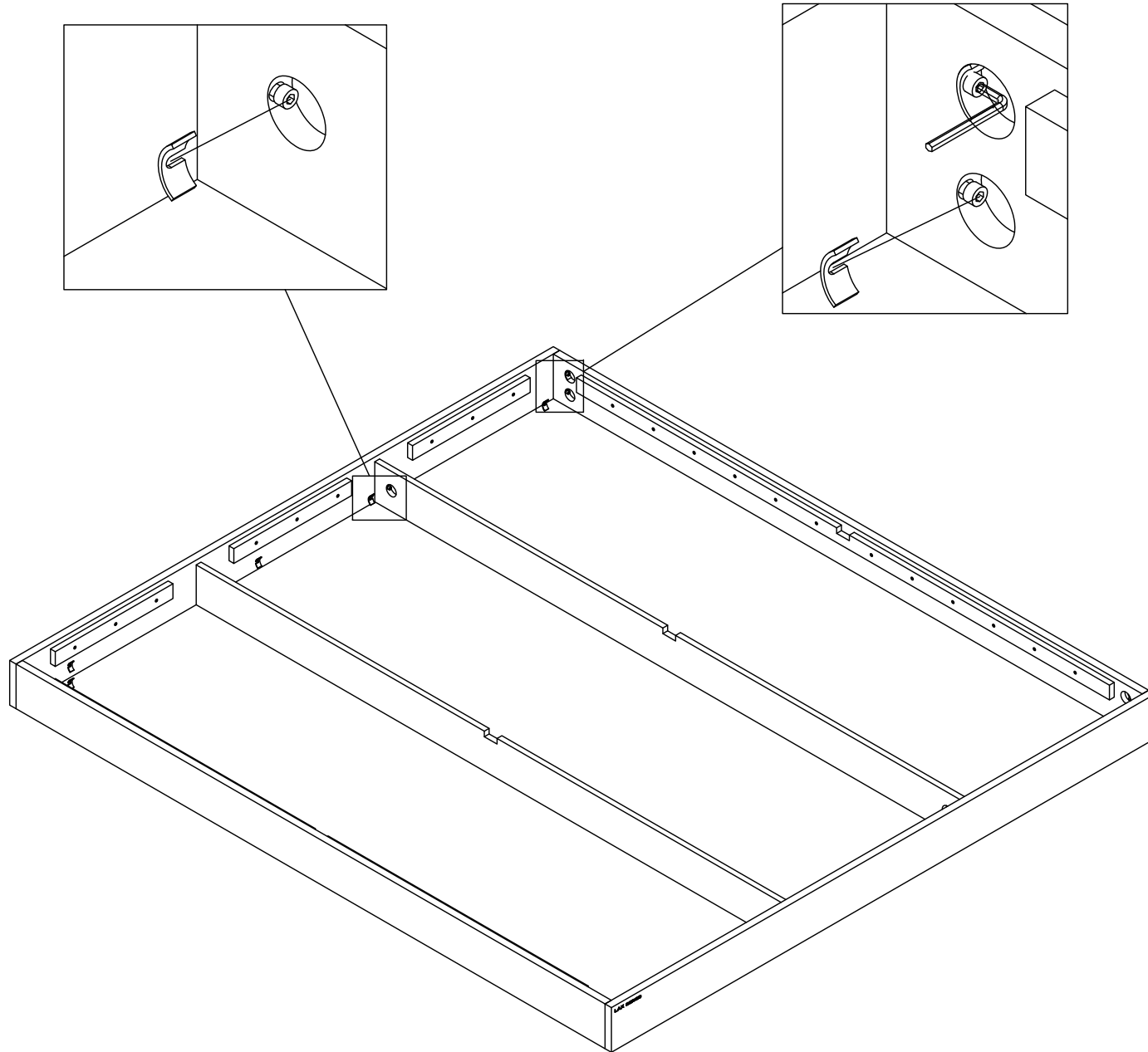
STEP 3



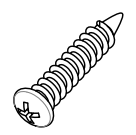
Ⓟ X 12



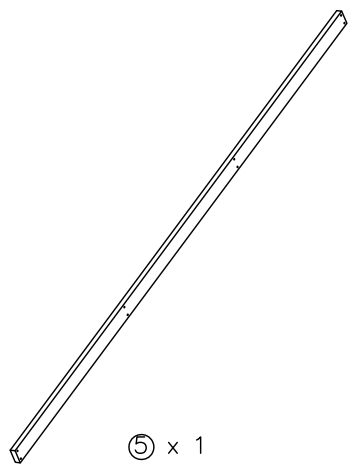
Ⓡ x 1



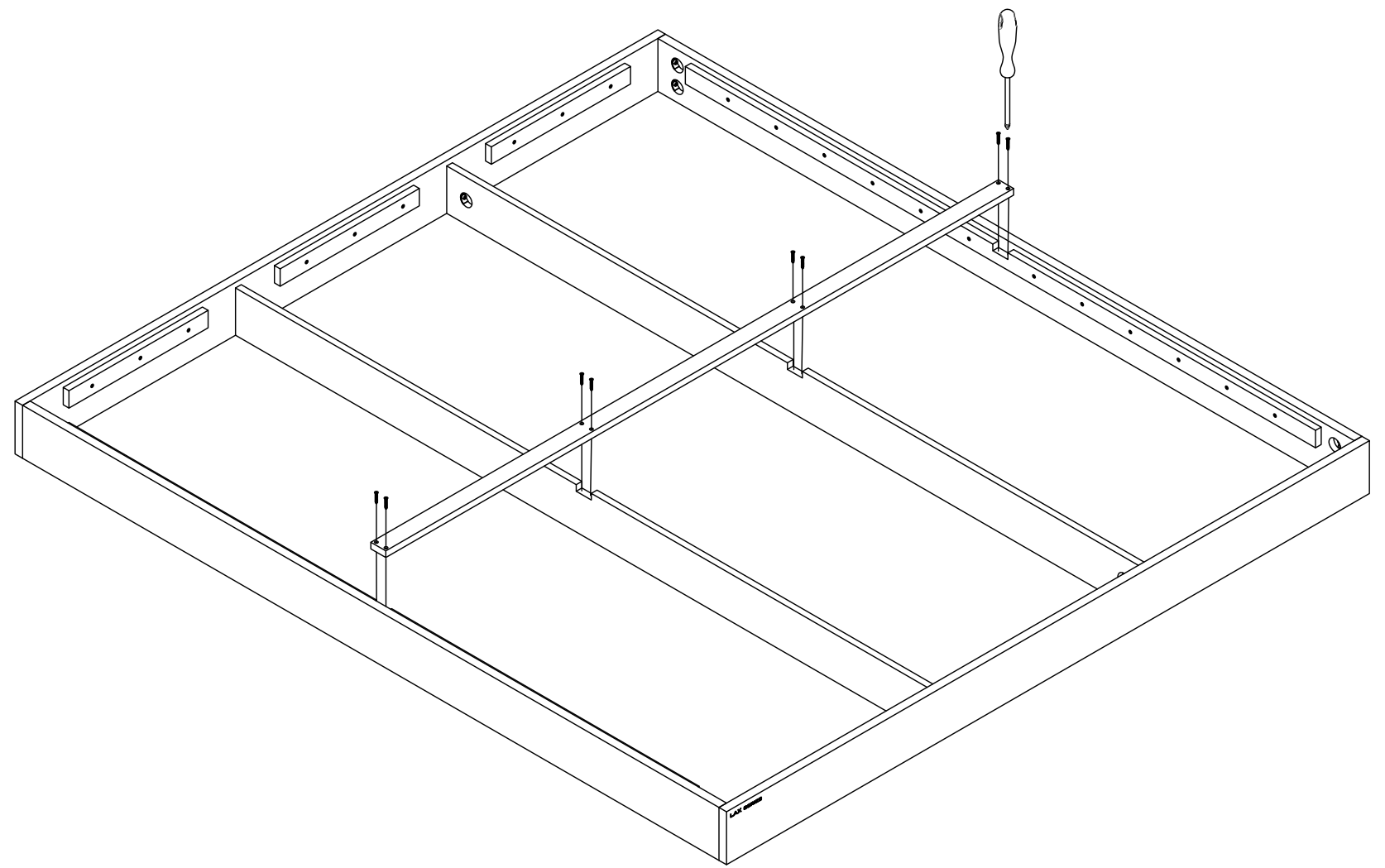
STEP 4



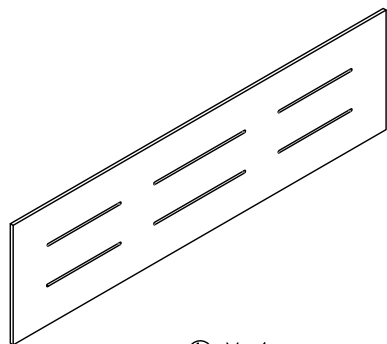
Ⓛ x 8



Ⓢ x 1



STEP 5



① X 4

