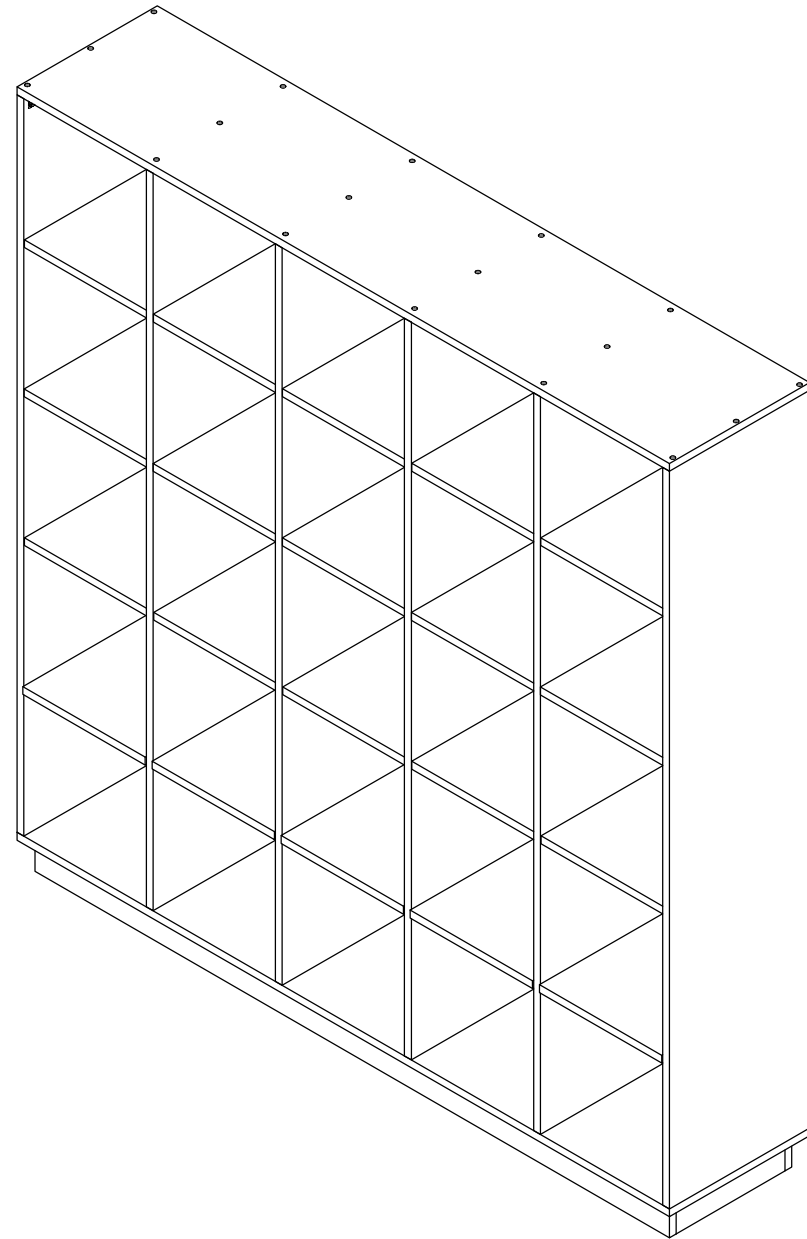


# LAXseries

by: MASHstudios

5X5 Book Case  
Assembly Instructions



# LAXseries

by: VASHstudios

5X5 Book Case  
Parts List

Helpful Tip:  
Separating components into like groups speeds up the process.

A x 36



B x 40



C x 40



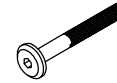
D x 34



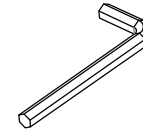
E X 32



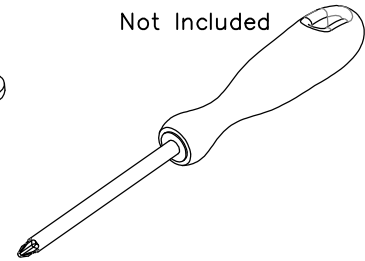
F x 10



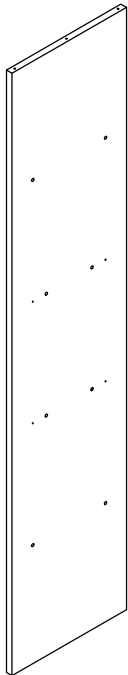
G x 1



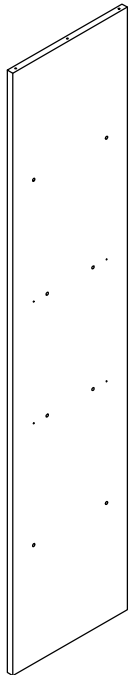
Not Included



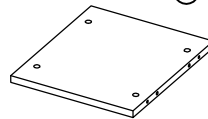
1 x 2



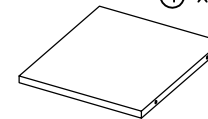
2 x 4



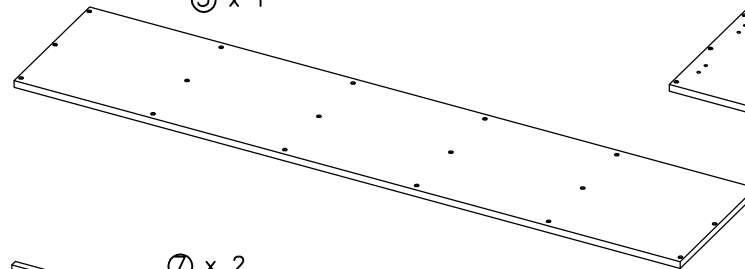
3 x 10



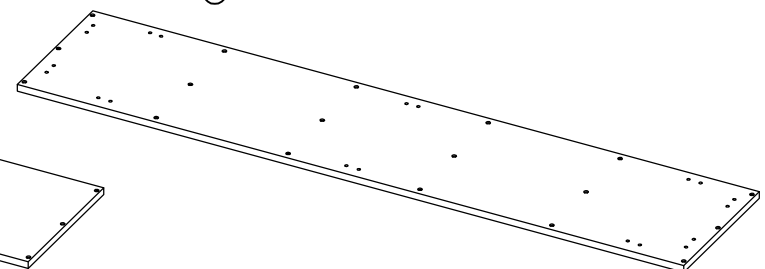
4 x 10



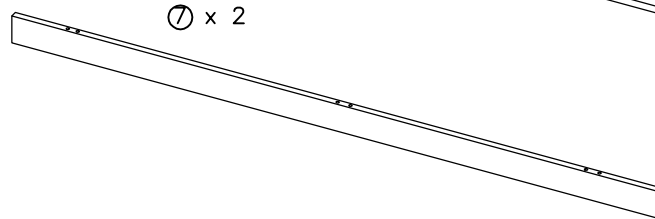
5 x 1



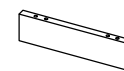
6 x 1



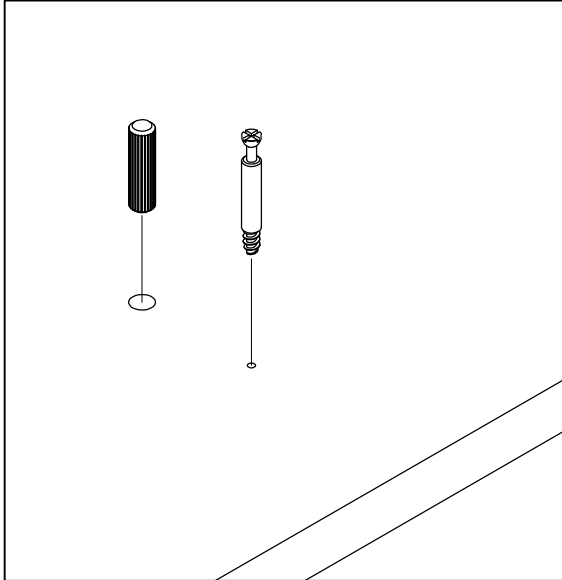
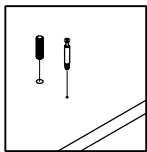
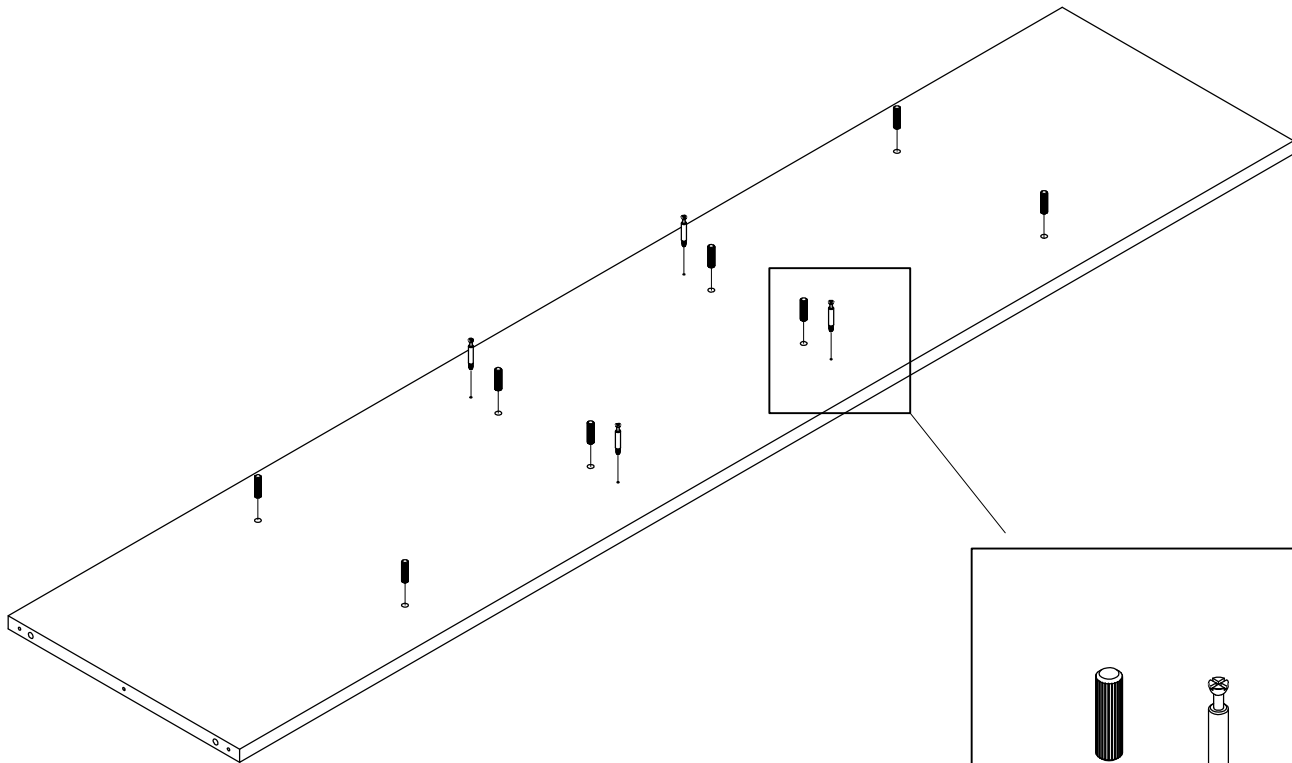
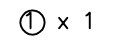
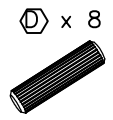
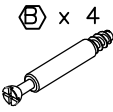
7 x 2



8 x 2

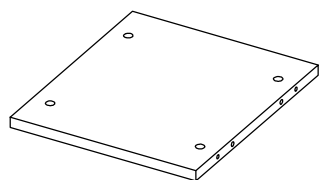


STEP 1

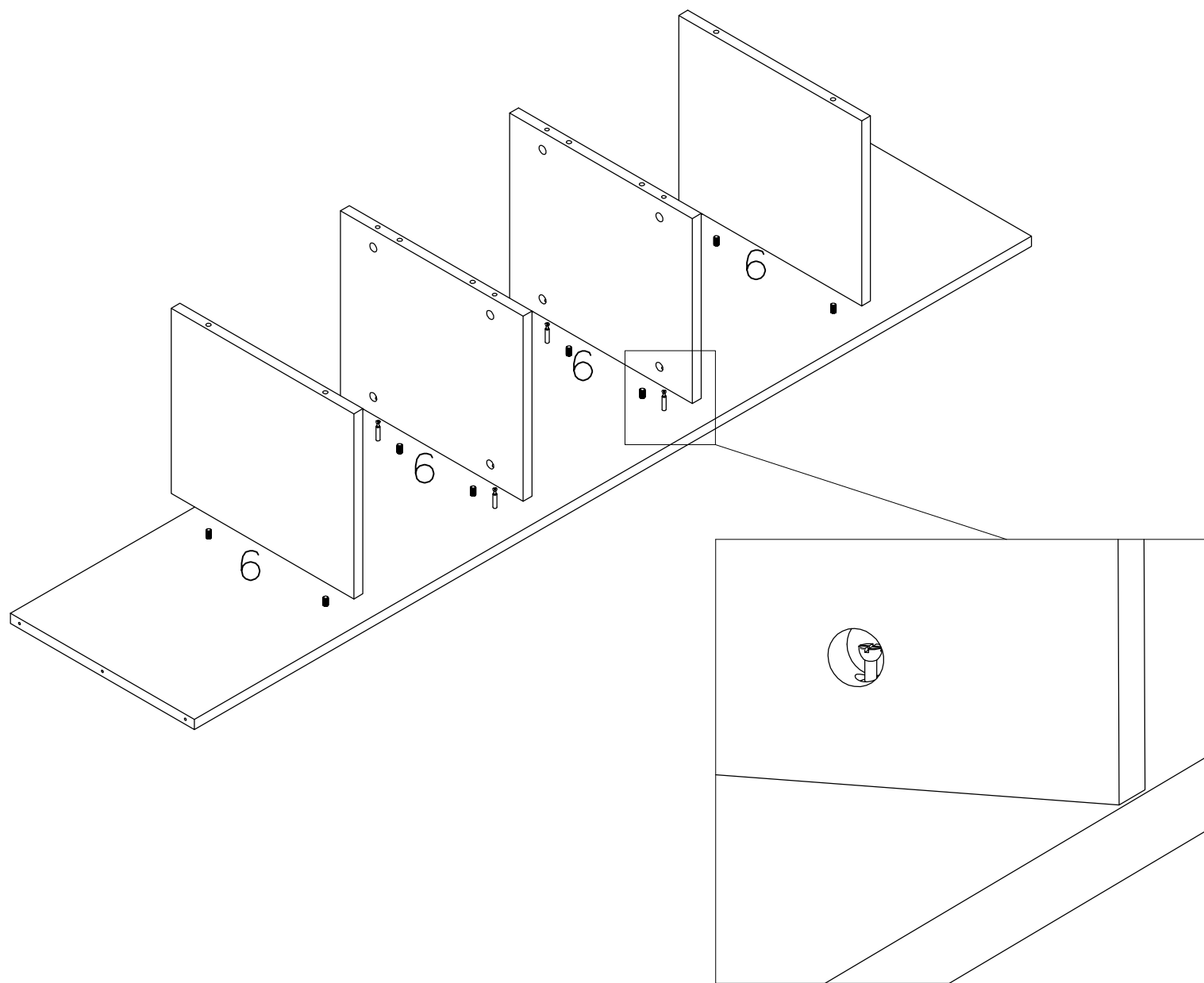
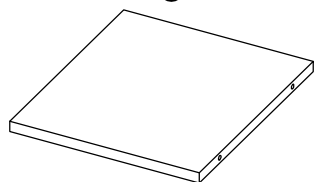


STEP 2

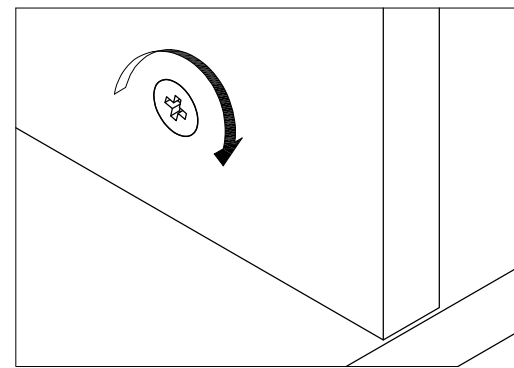
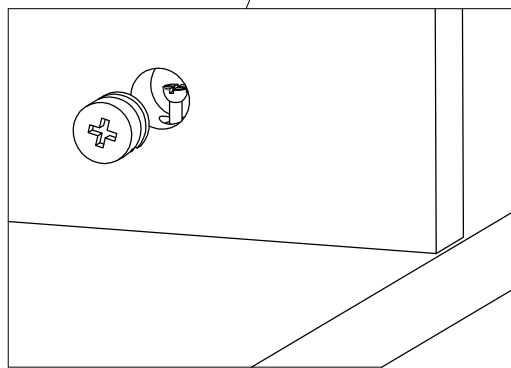
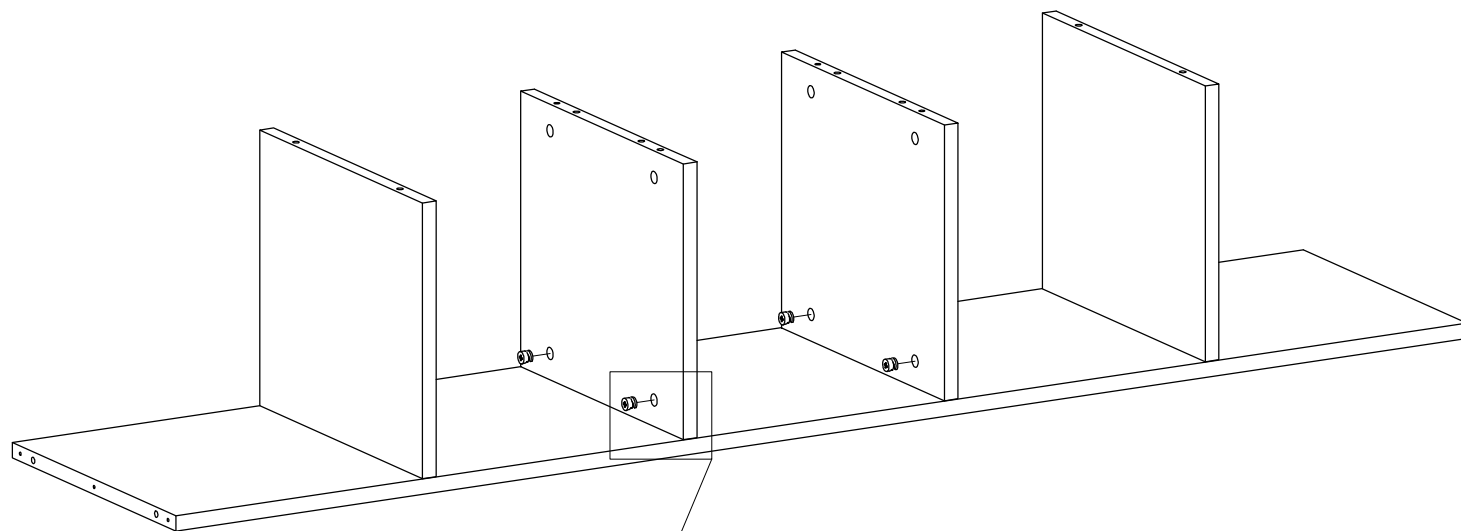
③ x2



④ x2

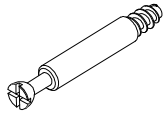


STEP 3

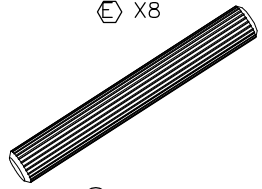


Step 4:

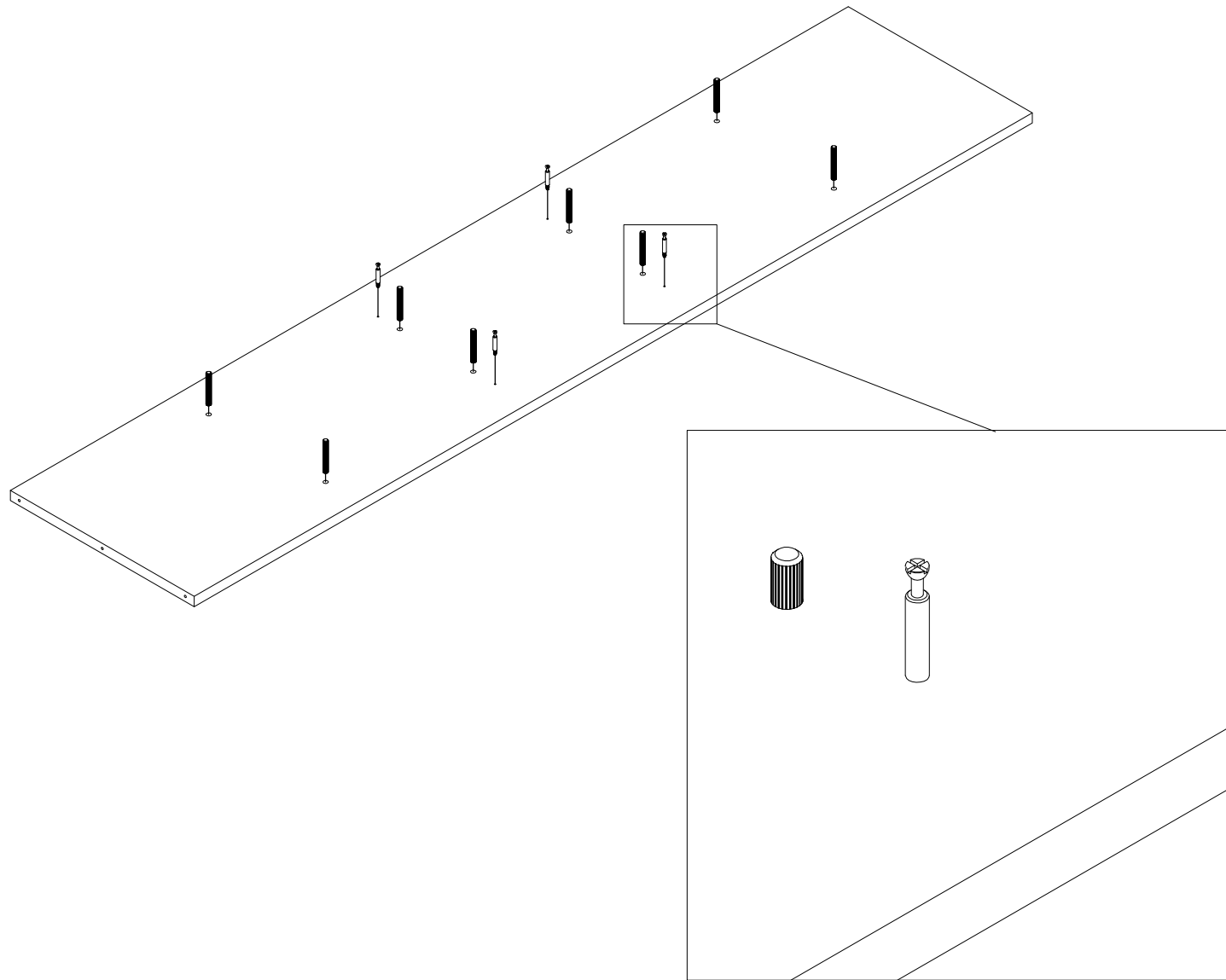
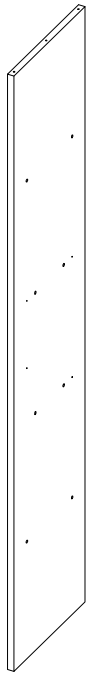
⊕ x 4



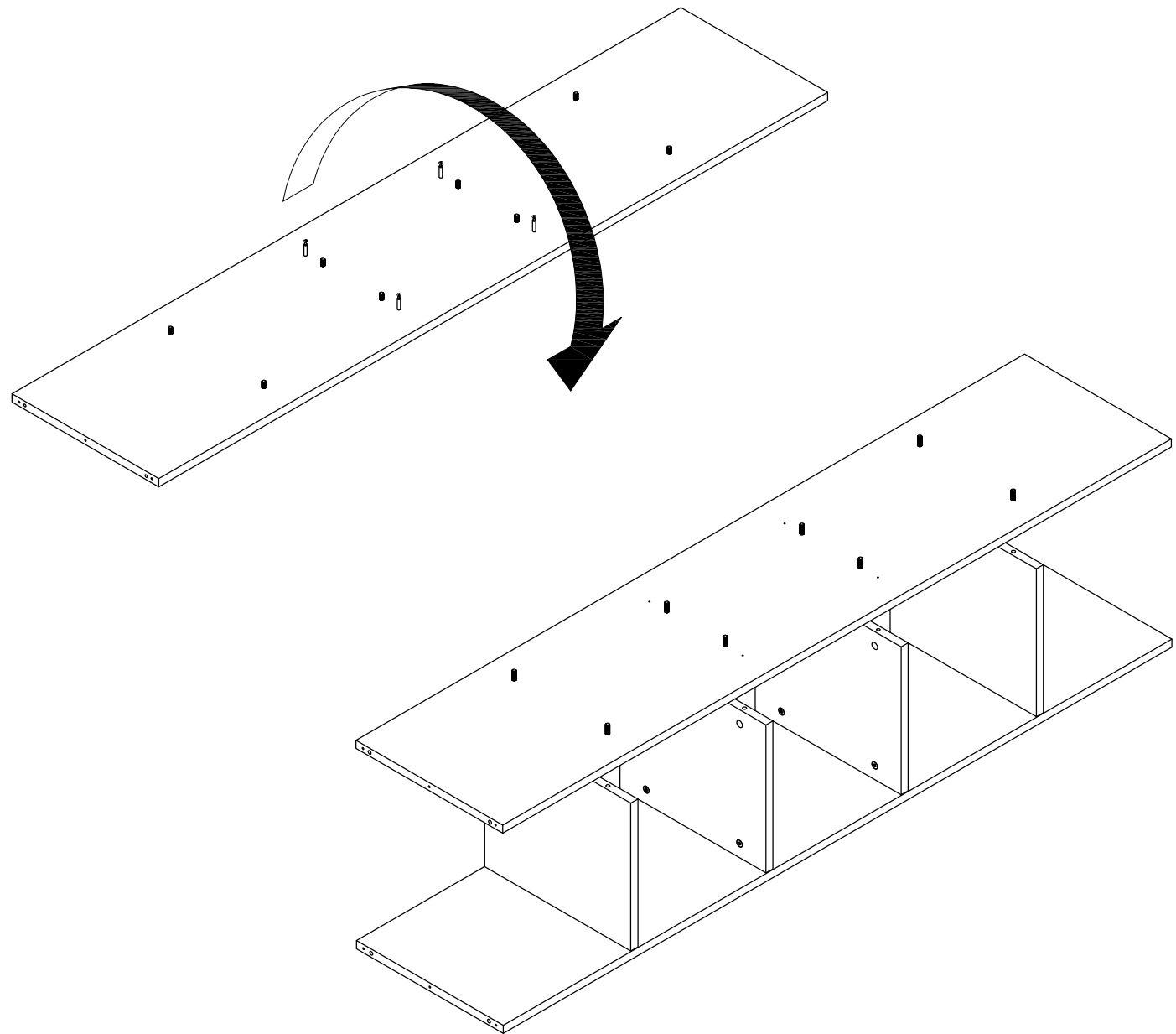
⊕ x 8



② x 1

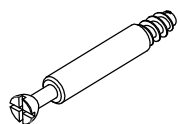


STEP 5

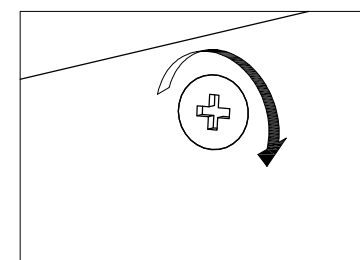
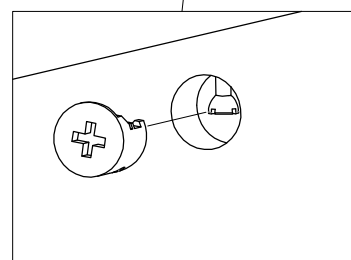
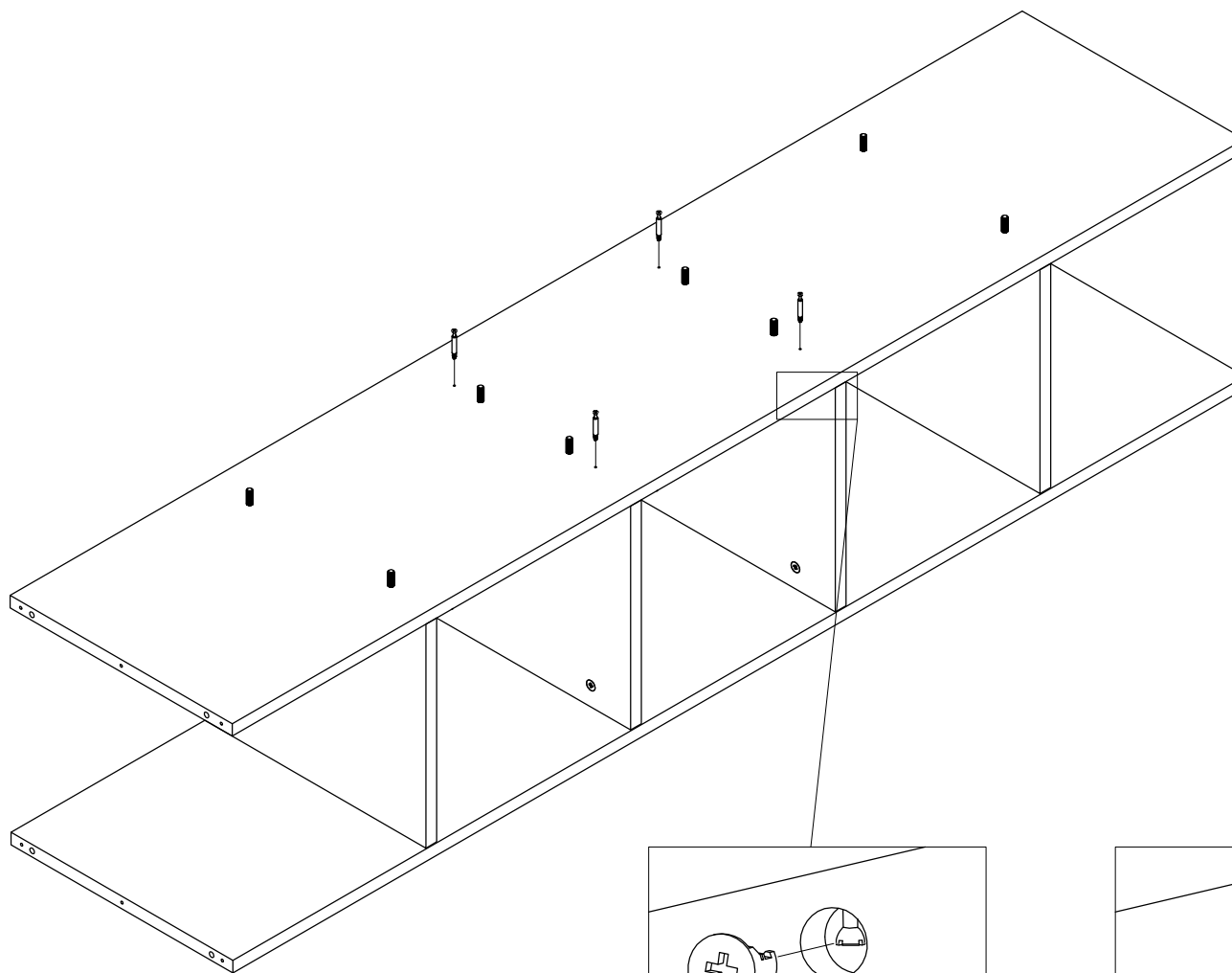
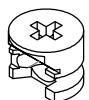


STEP 6

⊕ x 4



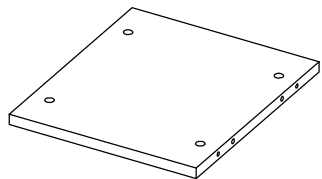
⊕ x 4



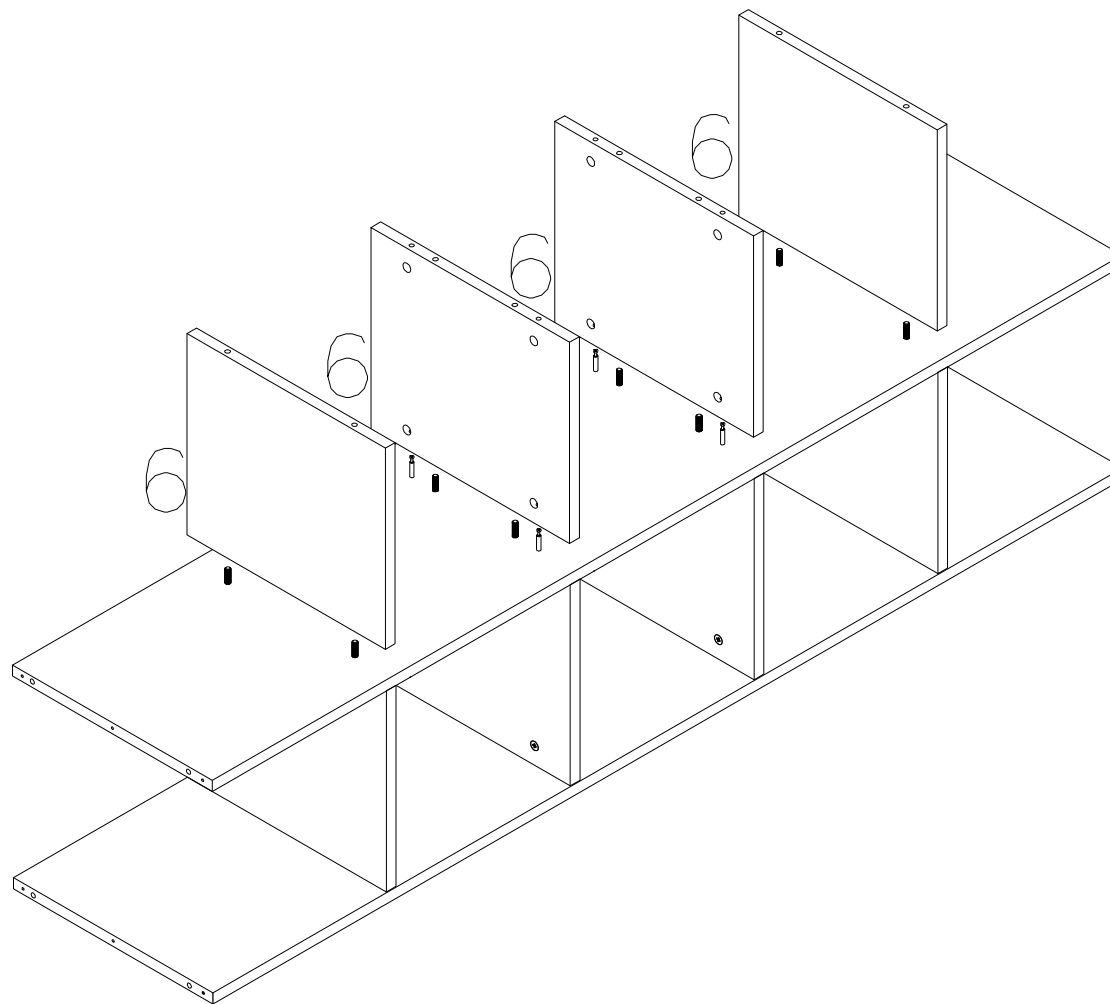
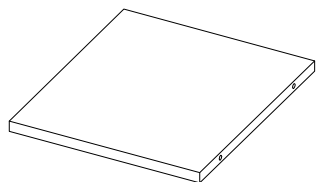


STEP 7

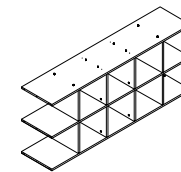
③ x2



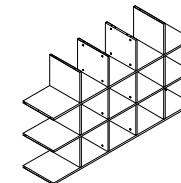
④ x2



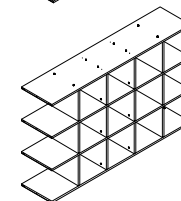
A



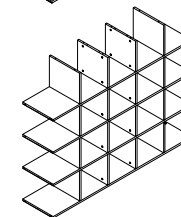
B



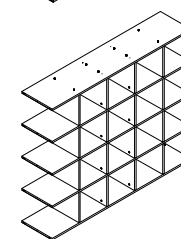
C



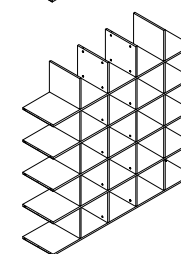
D



E

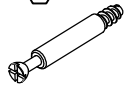


F



STEP 8

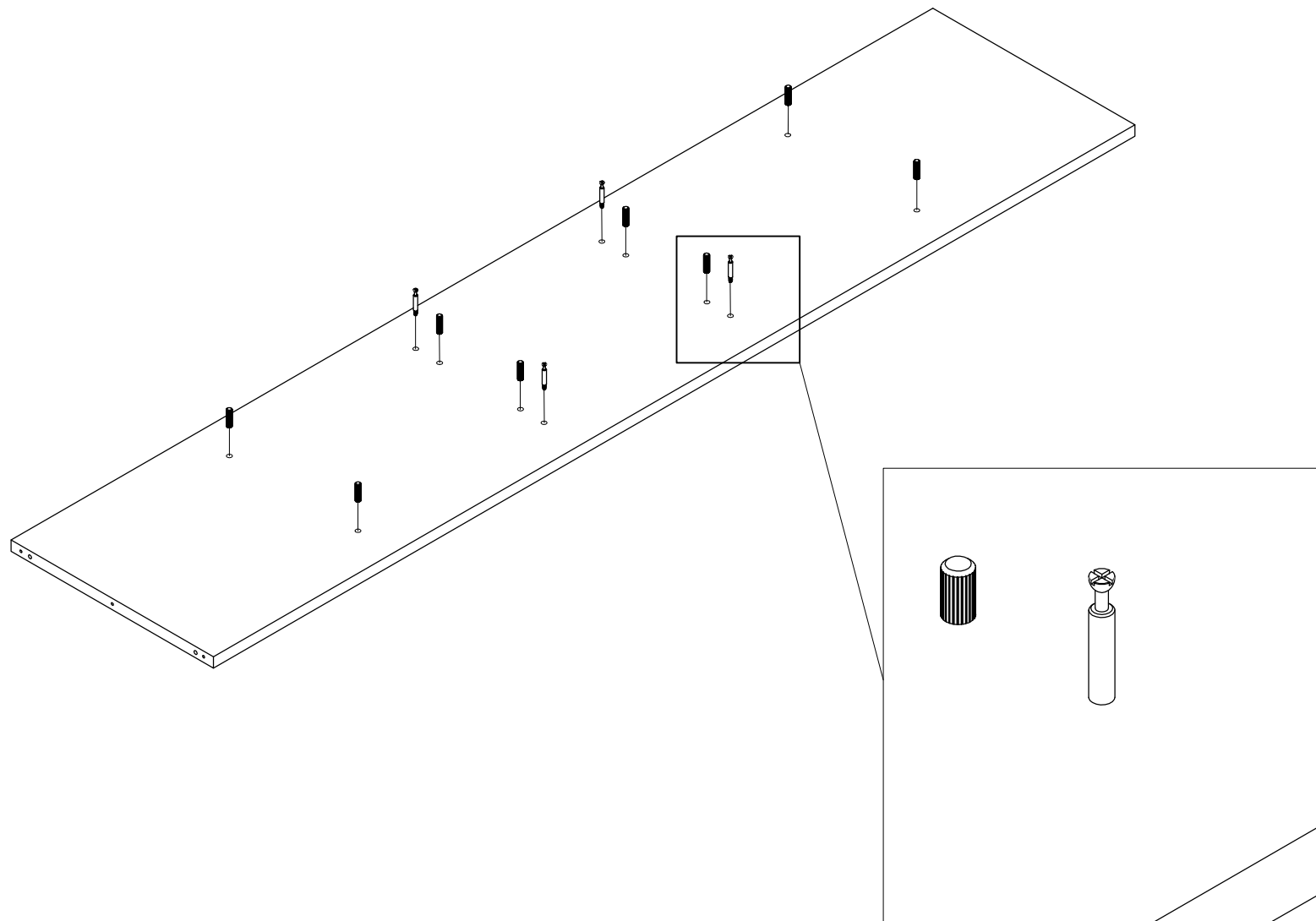
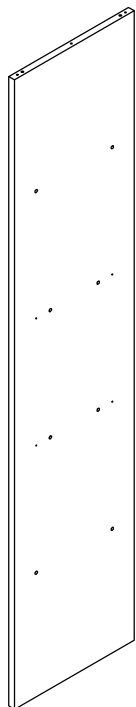
⊕ x 4



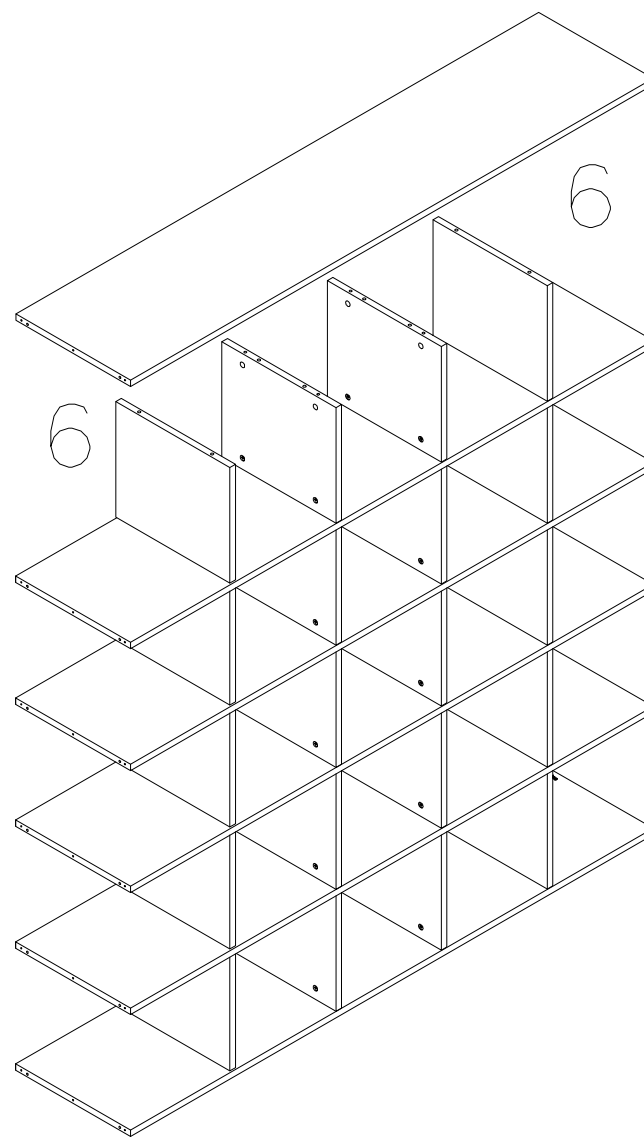
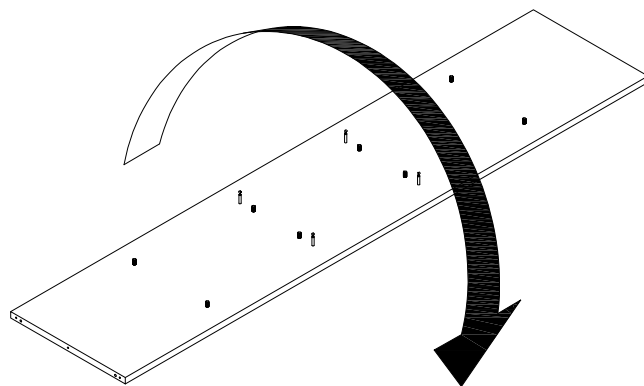
⊕ x 8



① x 1

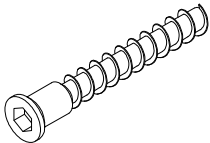


STEP 9

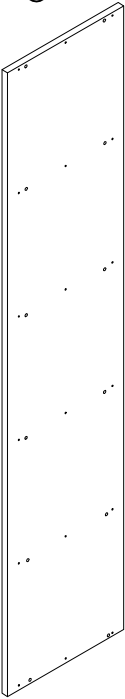


STEP 10

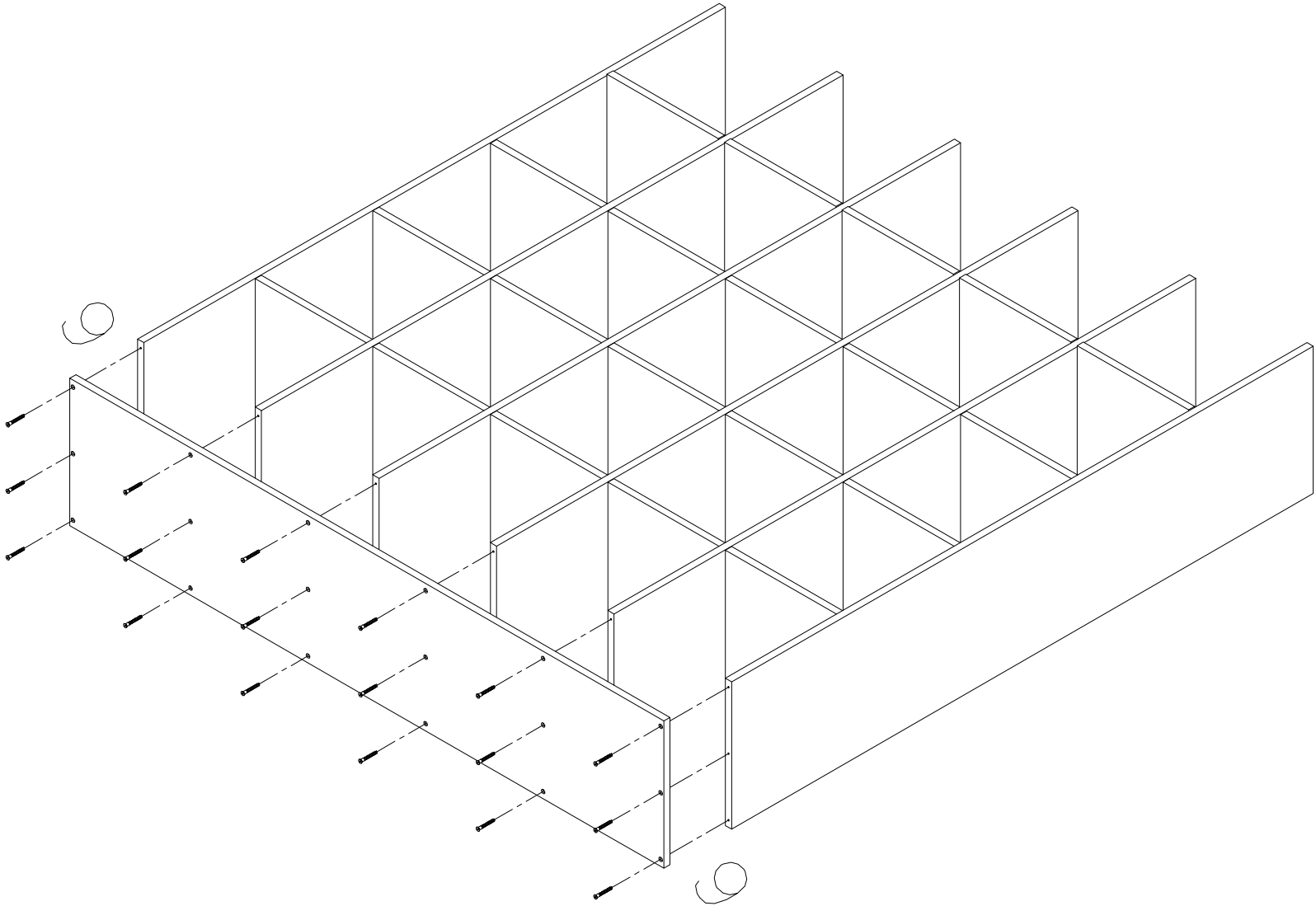
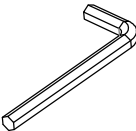
A x 18



B x 1

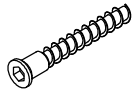


C x 1

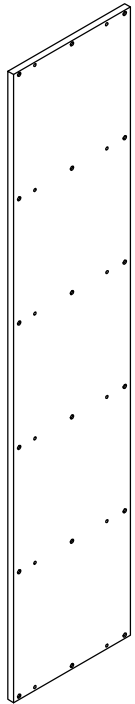


# STEP 11

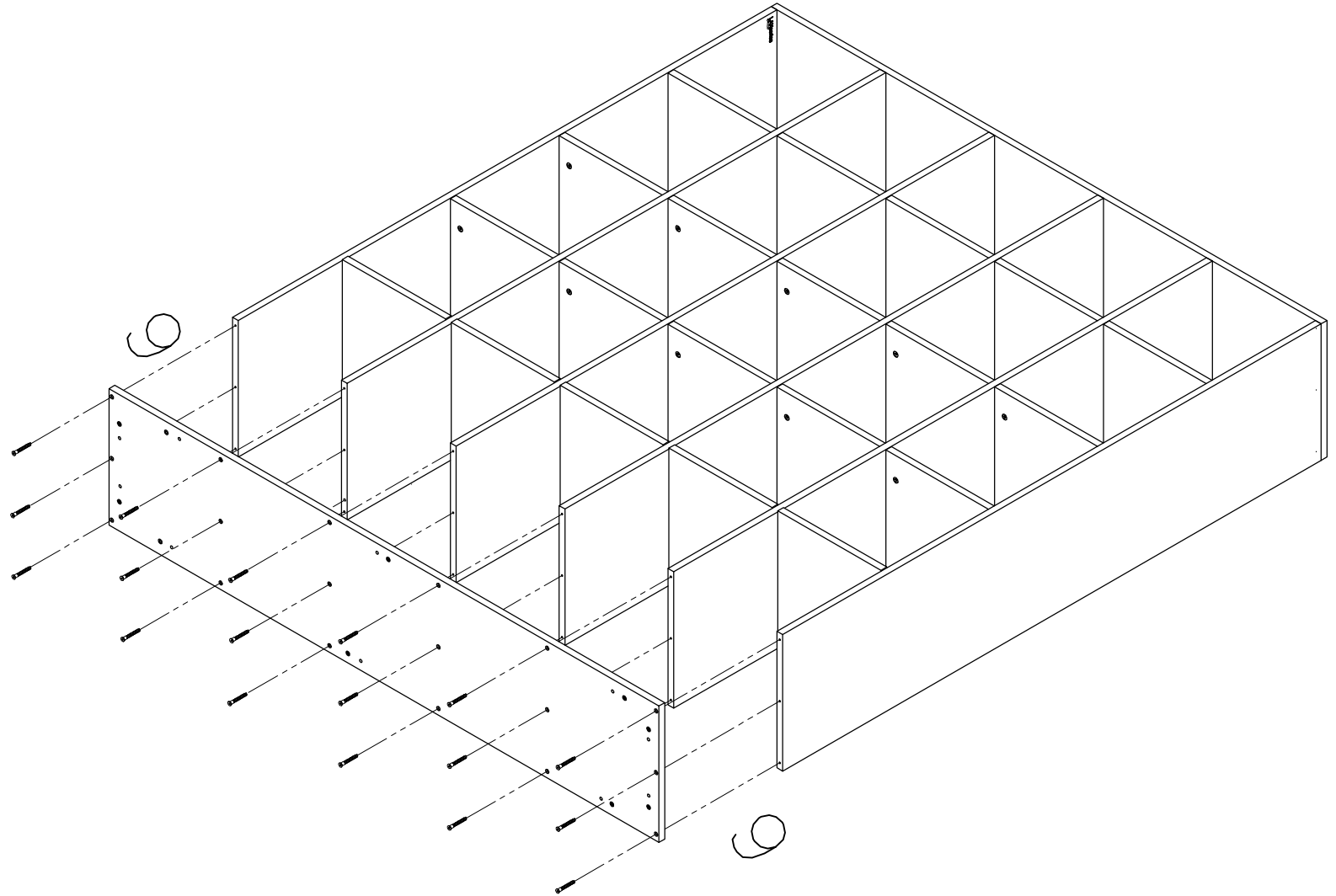
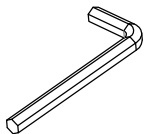
Ⓐ x 18



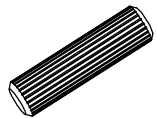
Ⓒ x 1



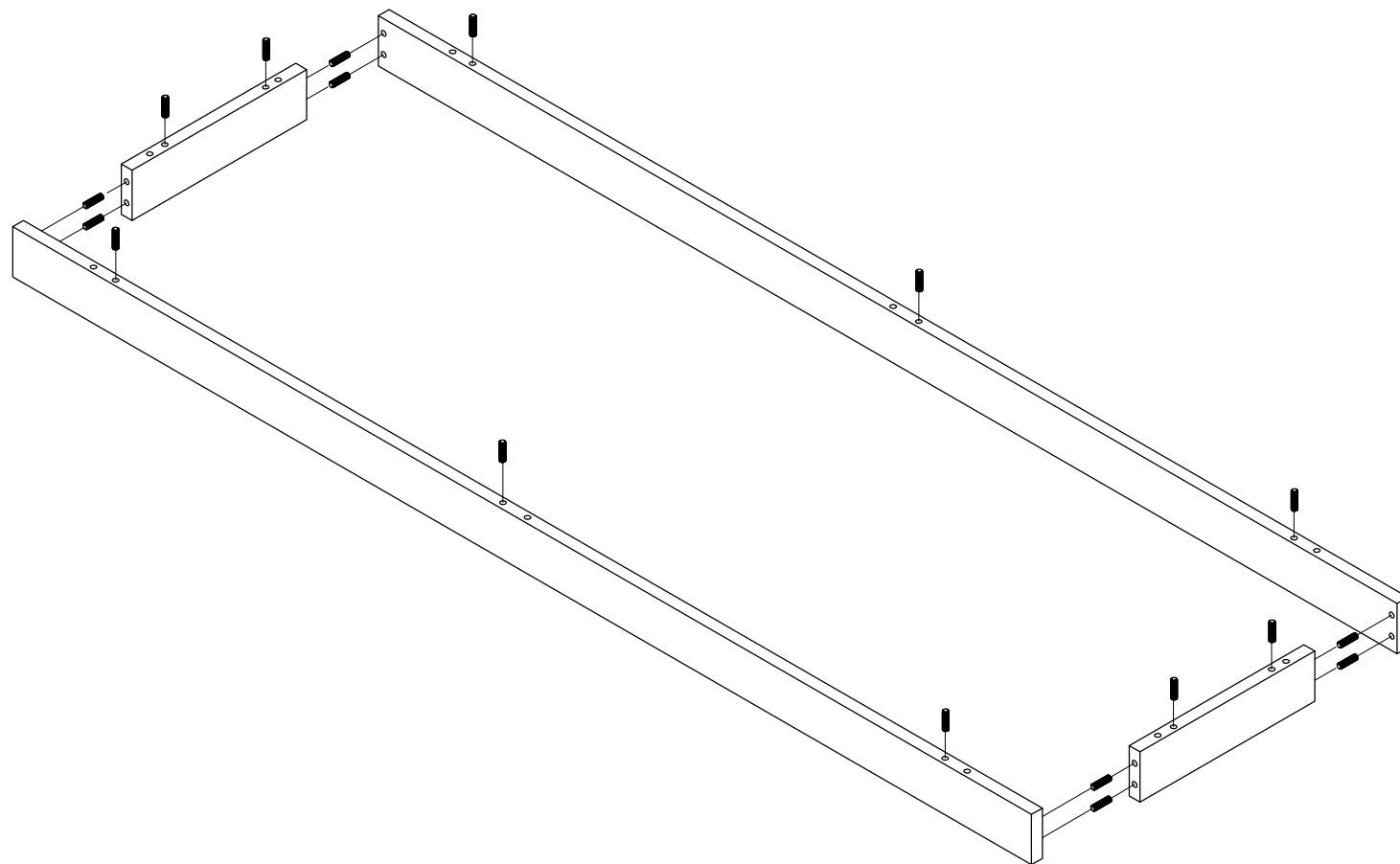
Ⓓ x 1



STEP 12

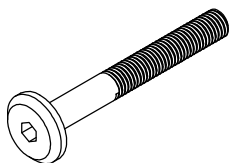


⌀ x 18

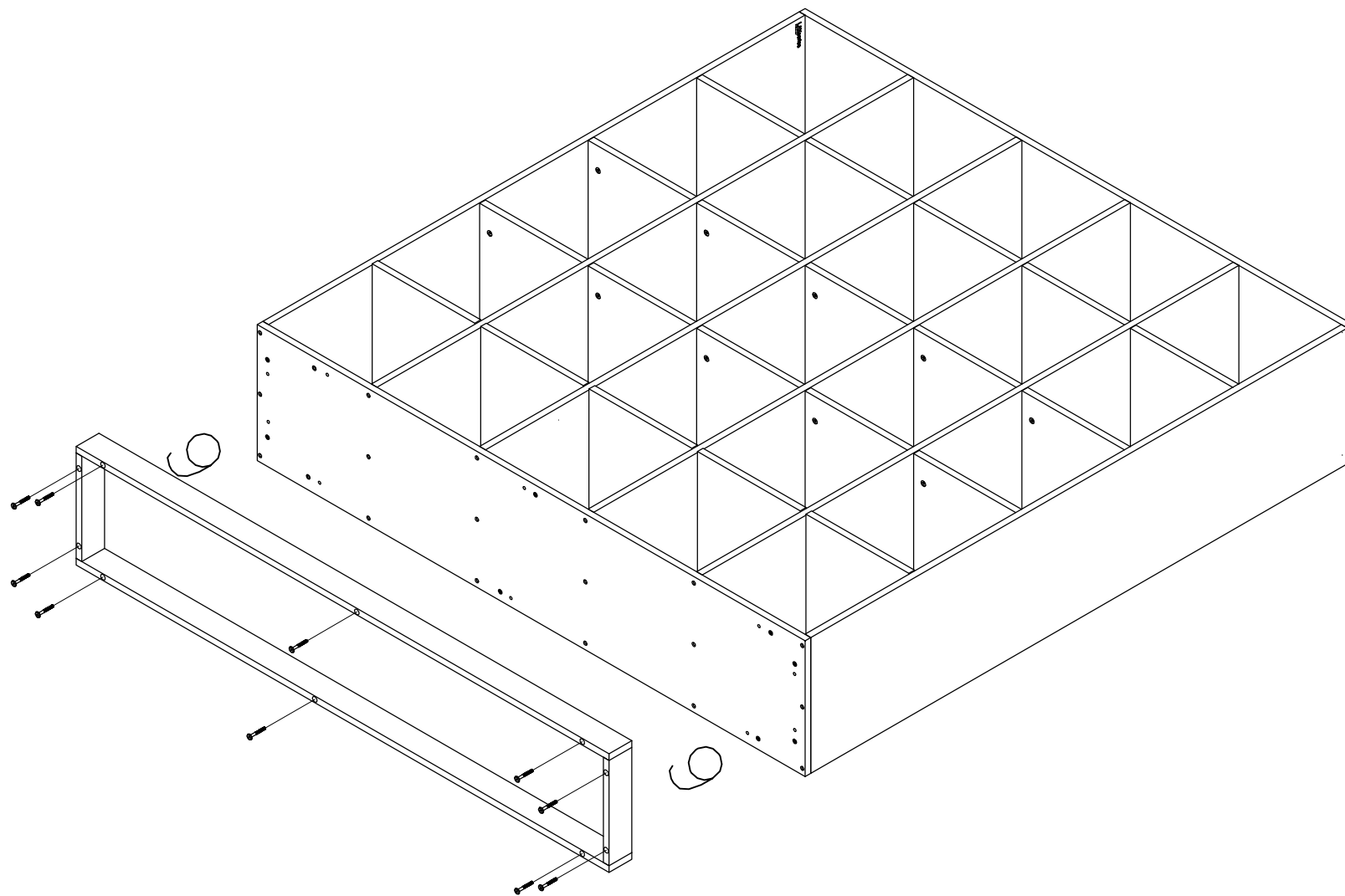
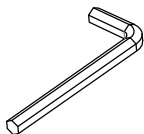


Step 13:

⬡ x 10

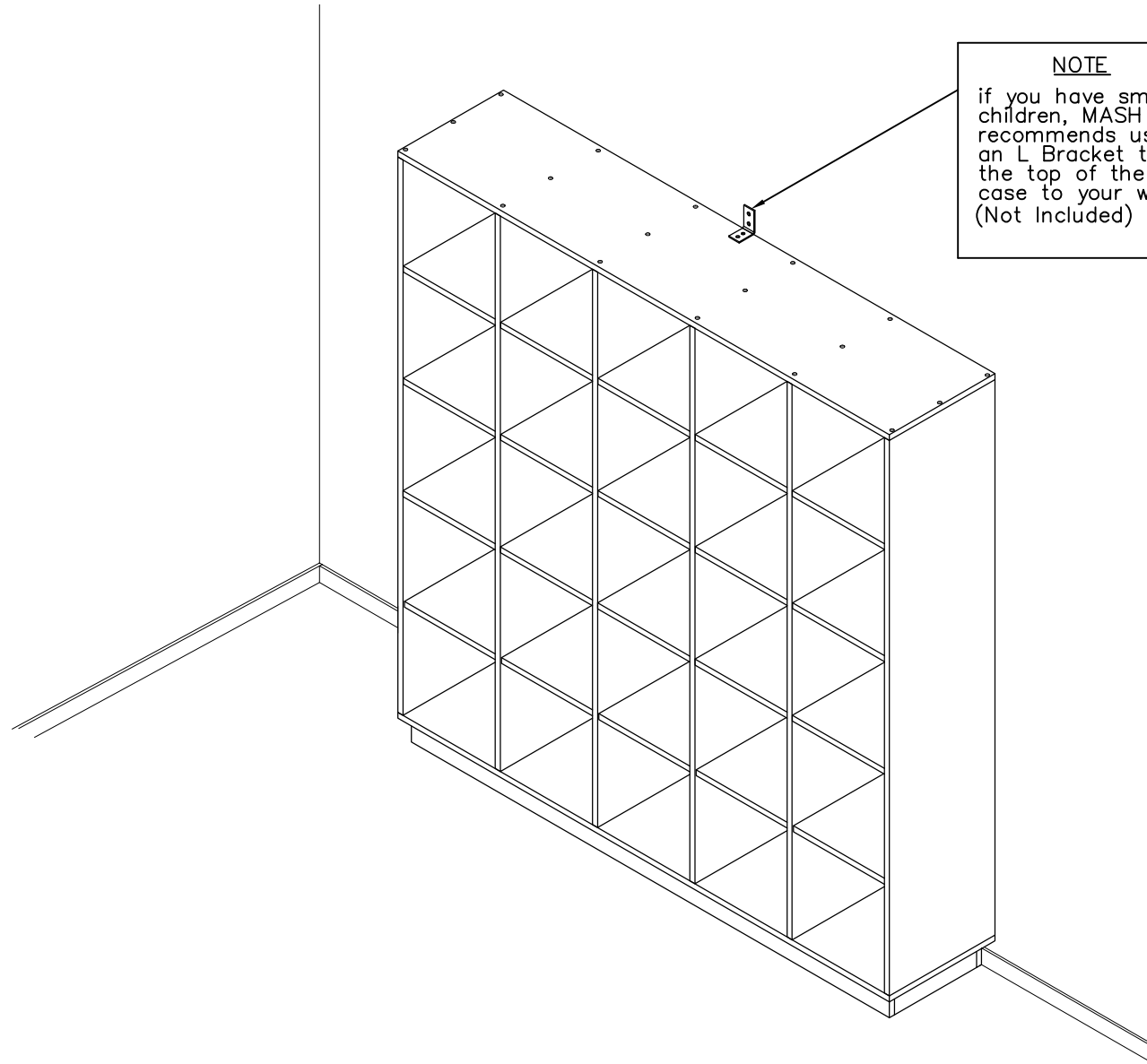


⬡ x 2



## STEP 14

Using two people, carefully stand the shelf up and position it in place.



### NOTE

if you have small children, MASH recommends using an L Bracket to fasten the top of the book case to your wall. (Not Included)